



US00D592722S

(12) **United States Design Patent**  
**Cameron et al.**

(10) **Patent No.:** **US D592,722 S**  
(45) **Date of Patent:** **\*\* May 19, 2009**

(54) **GOLF CLUB HEAD COVER**

(75) Inventors: **Don T. Cameron**, Carlsbad, CA (US);  
**Margaret Lemieux**, Oceanside, CA  
(US)

(73) Assignee: **Acushnet Company**, Fairhaven, MA  
(US)

(\*\*) Term: **14 Years**

(21) Appl. No.: **29/305,619**

(22) Filed: **Mar. 25, 2008**

(51) **LOC (9) Cl.** ..... **21-02**

(52) **U.S. Cl.** ..... **D21/754**

(58) **Field of Classification Search** ..... D21/754;  
150/160

See application file for complete search history.

(56) **References Cited**

**U.S. PATENT DOCUMENTS**

4,898,222	A *	2/1990	Gaffney	.....	150/160
6,095,214	A	8/2000	Gaffney		
D444,525	S *	7/2001	Bernath	.....	D21/754
D446,270	S *	8/2001	Bernath	.....	D21/754
6,443,851	B1 *	9/2002	Liberatore	.....	150/160

D469,835	S *	2/2003	Bradshaw	.....	D21/754
D535,344	S *	1/2007	Chen	.....	D21/754
D565,682	S *	4/2008	Chen et al.	.....	D21/754
D571,423	S *	6/2008	Cameron et al.	.....	D21/754
D571,424	S *	6/2008	Cameron et al.	.....	D21/754

\* cited by examiner

*Primary Examiner*—Mitchell I Siegel

(74) *Attorney, Agent, or Firm*—Kristin D. Wheeler

(57) **CLAIM**

The ornamental design for a golf club head cover, as shown and described.

**DESCRIPTION**

FIG. 1 is a perspective view of our new golf club head cover design;

FIG. 2 is a top view thereof;

FIG. 3 is a right side view thereof;

FIG. 4 is a front view thereof; and,

FIG. 5 is a left side view thereof.

The part of a golf club head cover shown in phantom does not form any portion of the present invention.

**1 Claim, 2 Drawing Sheets**

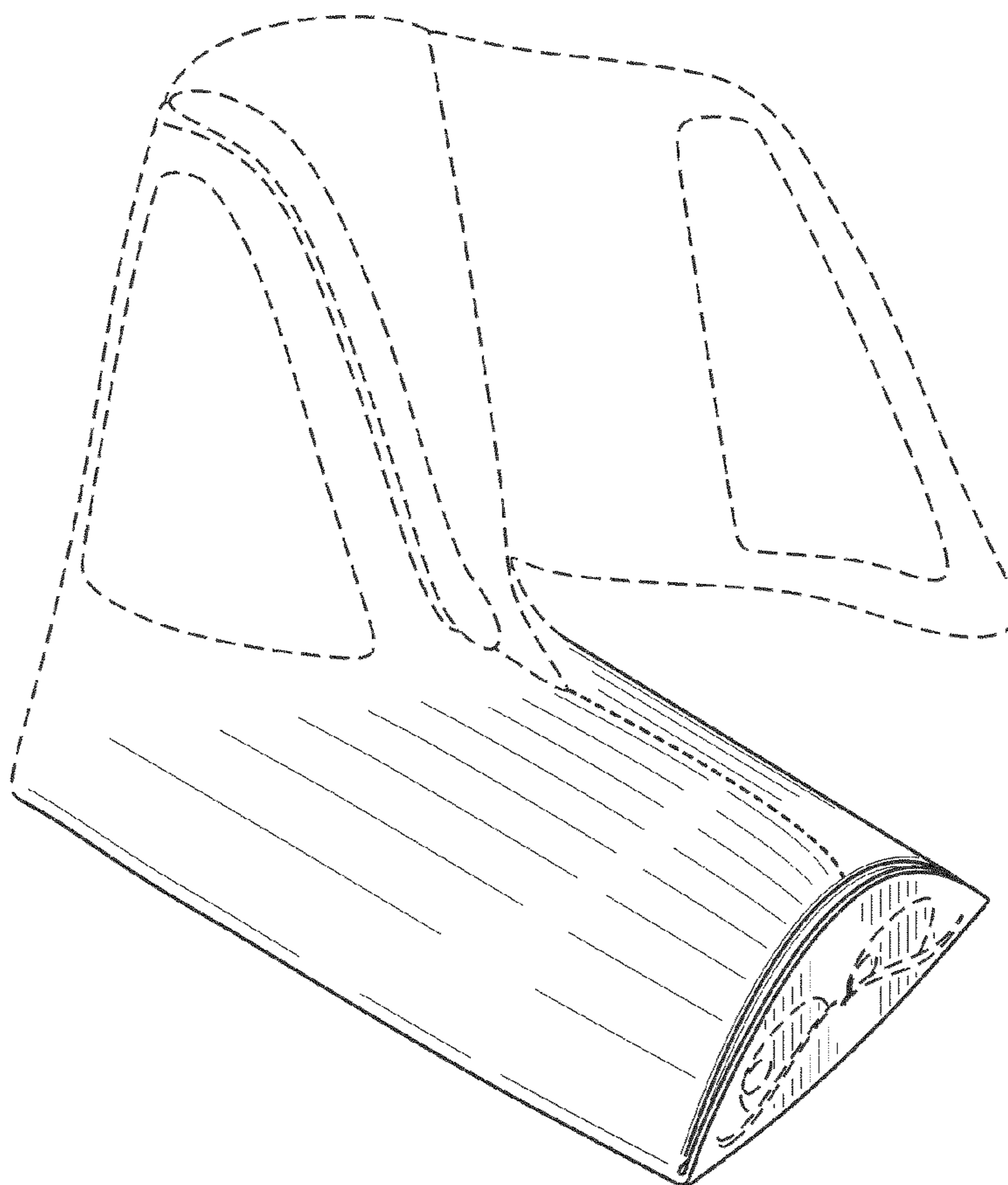


FIG. 2

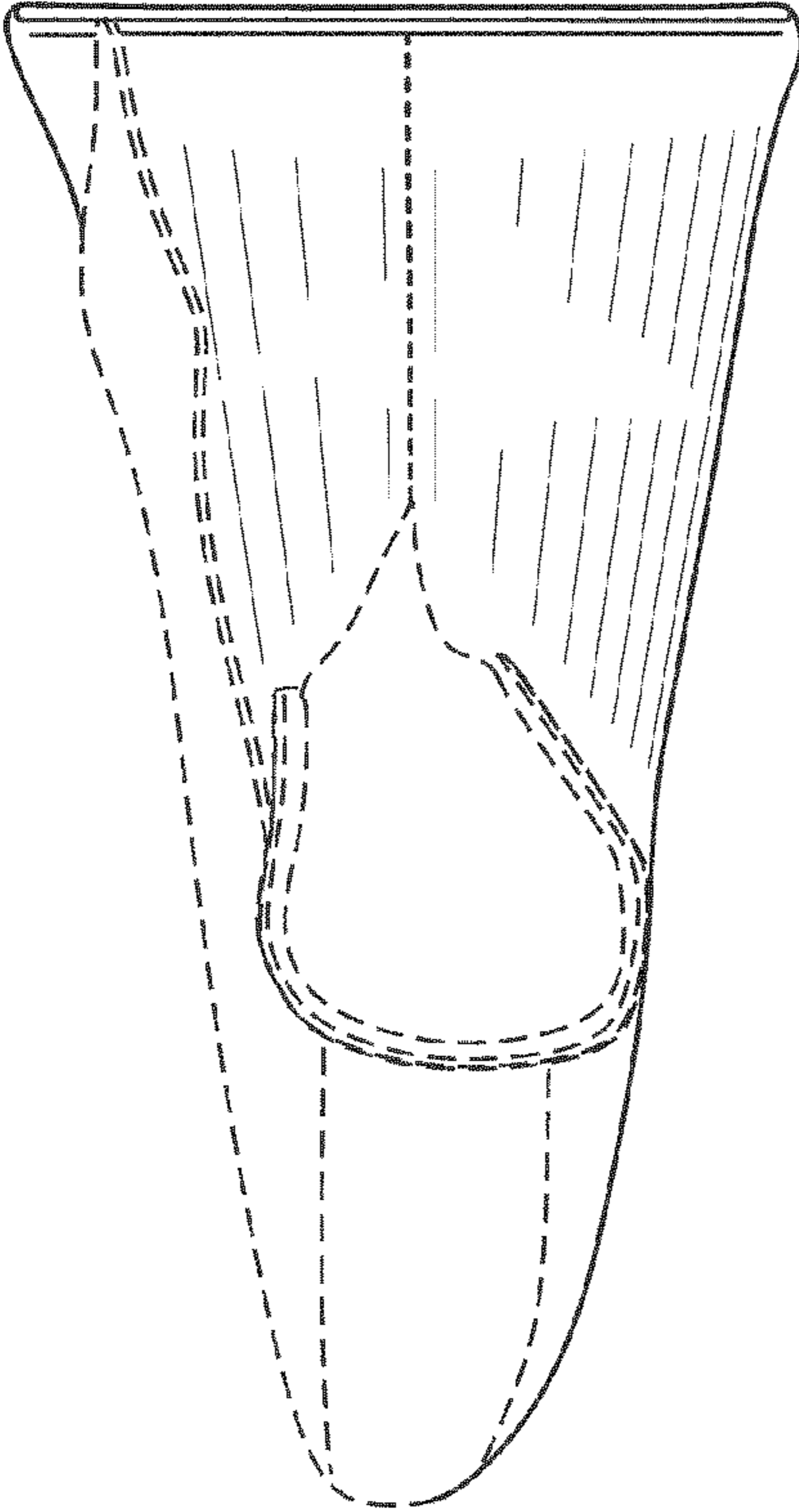


FIG. 3

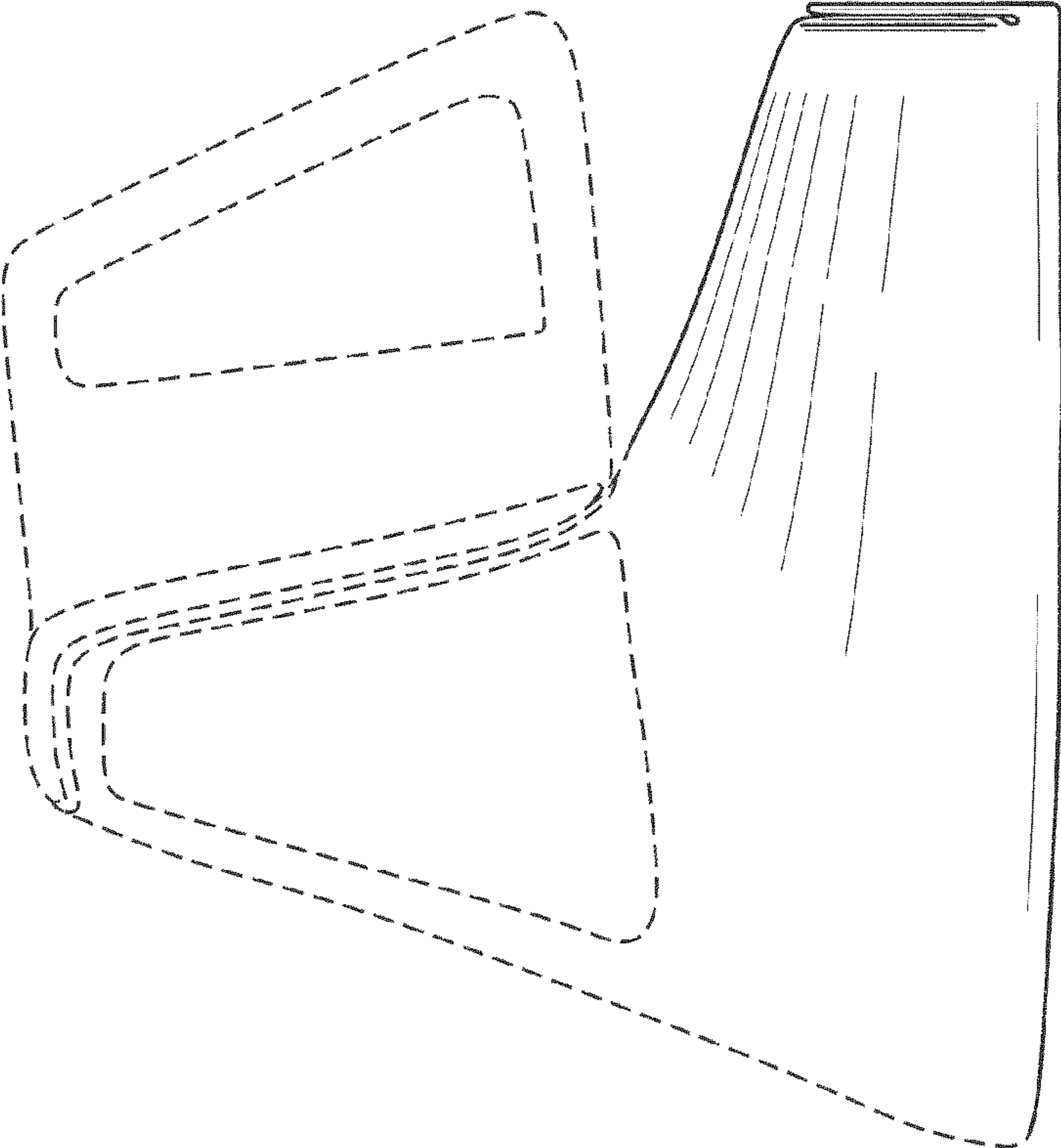
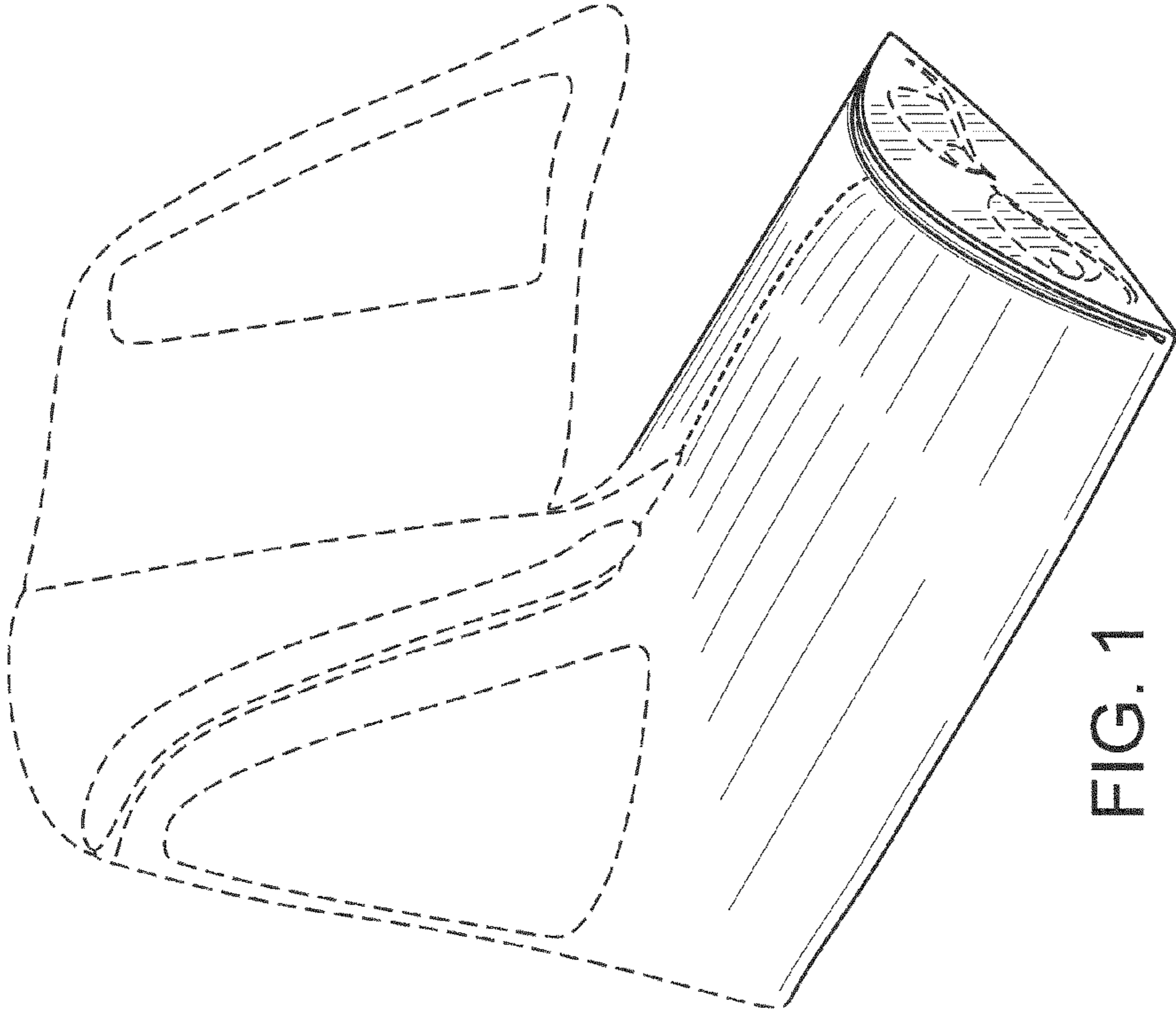


FIG. 1



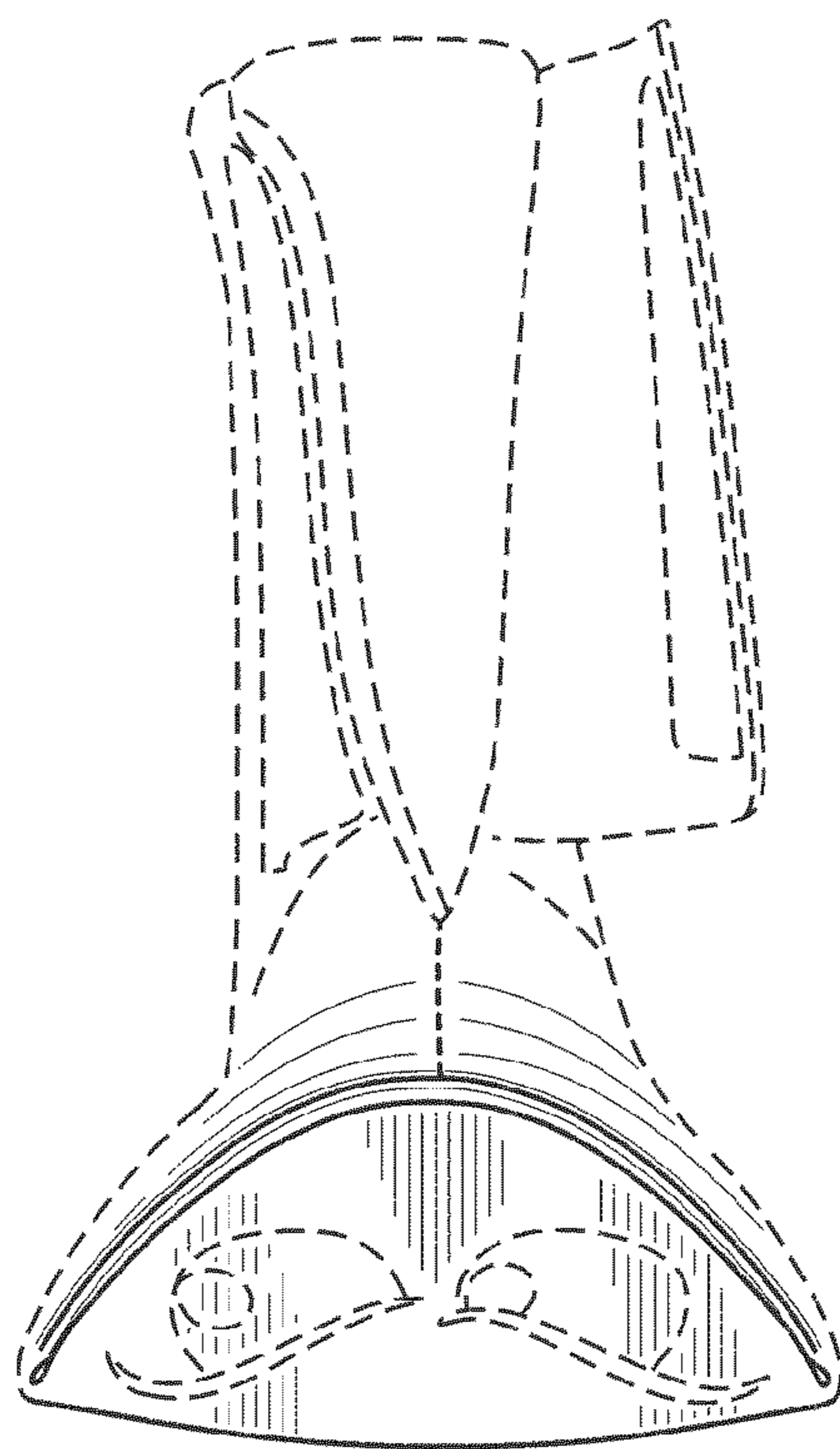


FIG. 4

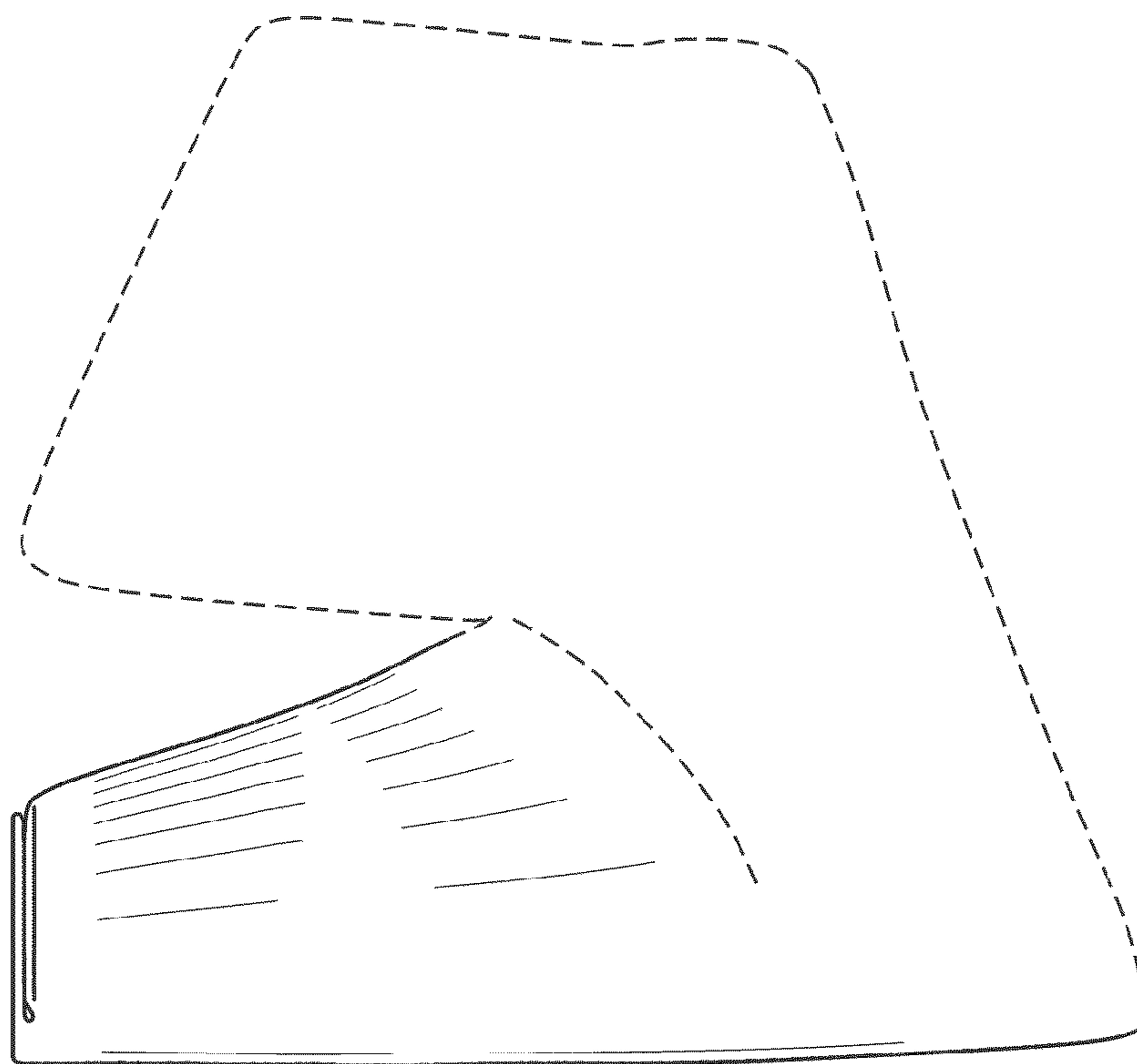


FIG. 5