



US00D592718S

(12) **United States Design Patent**
Hettinger

(10) **Patent No.:** **US D592,718 S**

(45) **Date of Patent:** **** May 19, 2009**

(54) **PUTTER HEAD**

D583,886 S * 12/2008 Cameron D21/743

(75) Inventor: **Ronald K. Hettinger**, Oceanside, CA
(US)

* cited by examiner

Primary Examiner—Mitchell I Siegel

(73) Assignee: **Callaway Golf Company**, Carlsbad, CA
(US)

(74) *Attorney, Agent, or Firm*—Michael A. Catania; Elaine H. Lo

(**) Term: **14 Years**

(57) **CLAIM**

(21) Appl. No.: **29/323,705**

The ornamental design for a putter head, as shown and described.

(22) Filed: **Aug. 29, 2008**

DESCRIPTION

(51) **LOC (9) Cl.** **21-02**

FIG. 1 is a top perspective view of a putter head as claimed herein;

(52) **U.S. Cl.** **D21/743**

FIG. 2 is a top plan view thereof;

(58) **Field of Classification Search** D21/736-746;
473/324-331, 340-341

FIG. 3 is a bottom plan view thereof;

See application file for complete search history.

FIG. 4 is a front elevational view thereof;

FIG. 5 is a rear elevational view thereof;

(56) **References Cited**

U.S. PATENT DOCUMENTS

D396,082 S * 7/1998 Sheets D21/742

D398,352 S * 9/1998 Sheets D21/742

D532,468 S * 11/2006 Hettinger D21/743

FIG. 6 is a toe elevational view thereof; and,

FIG. 7 is a heel elevational view thereof.

1 Claim, 3 Drawing Sheets

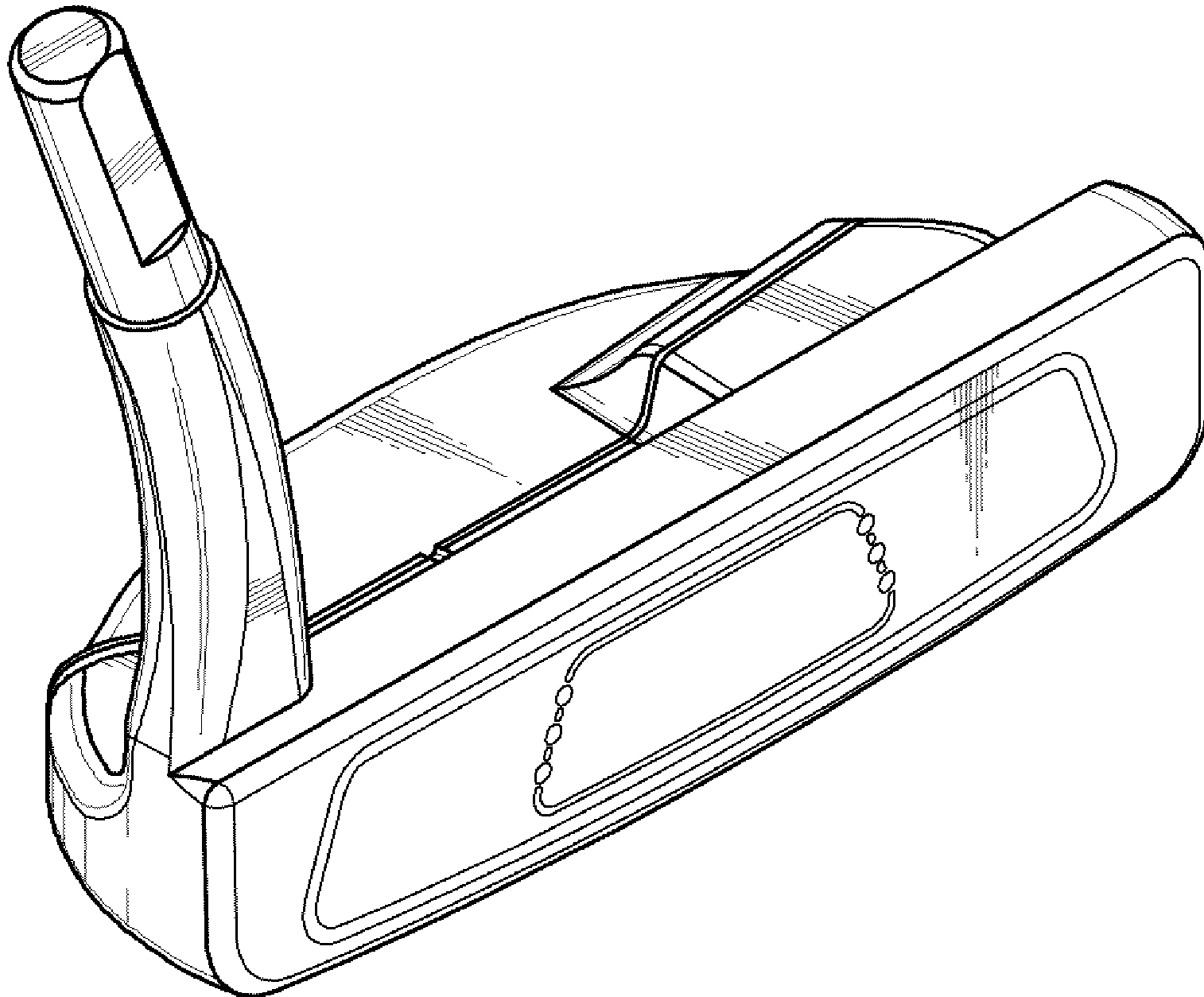


FIG. 1

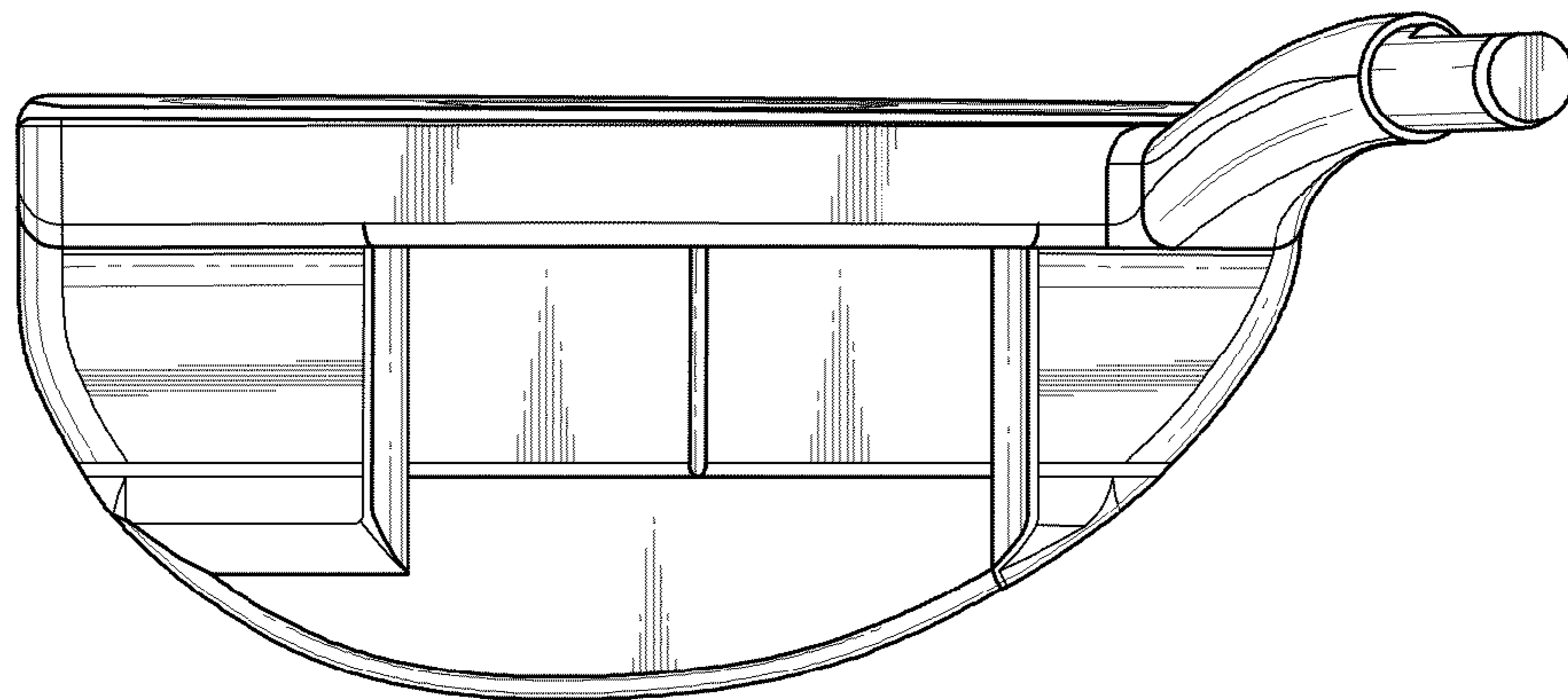
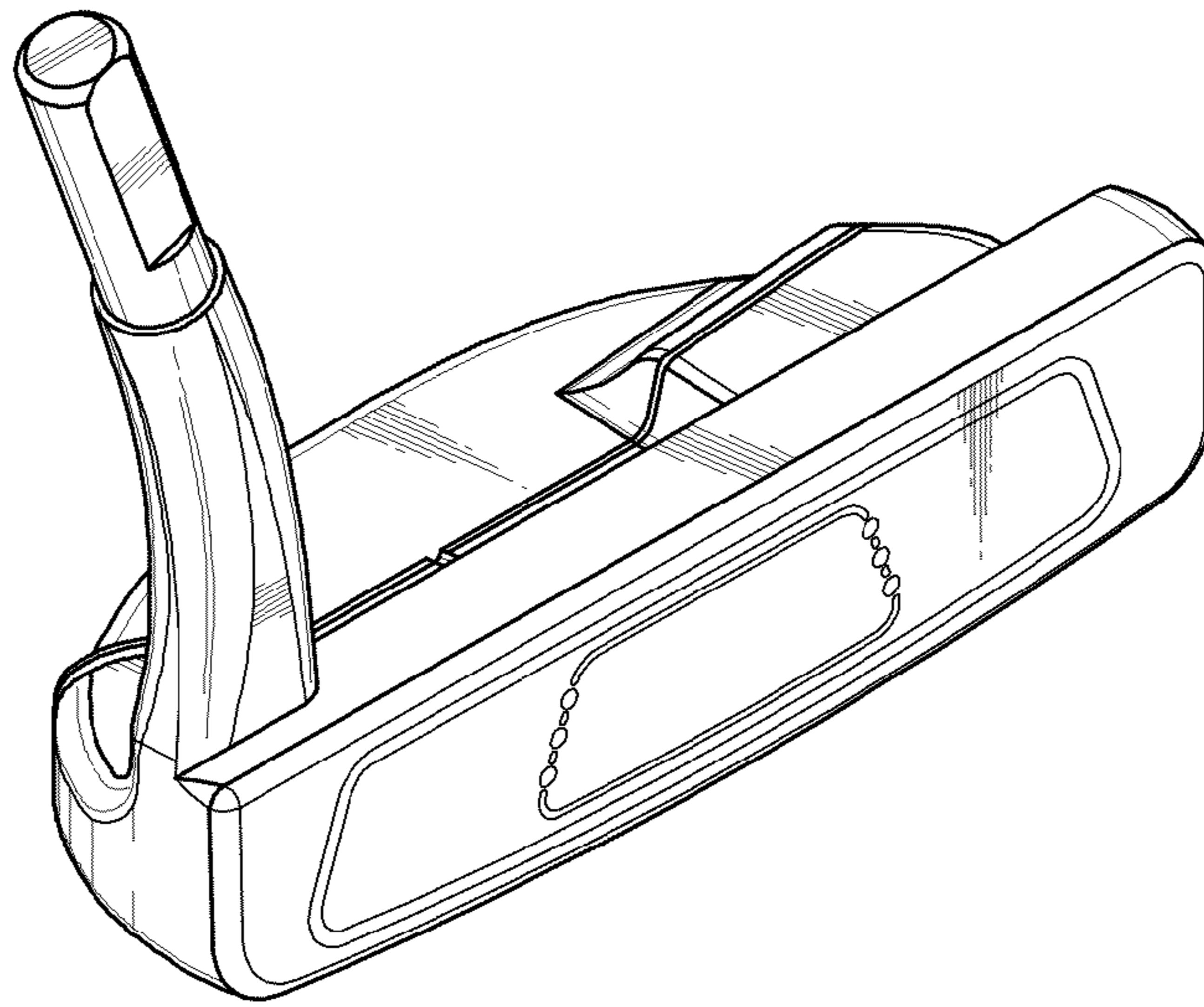


FIG. 2

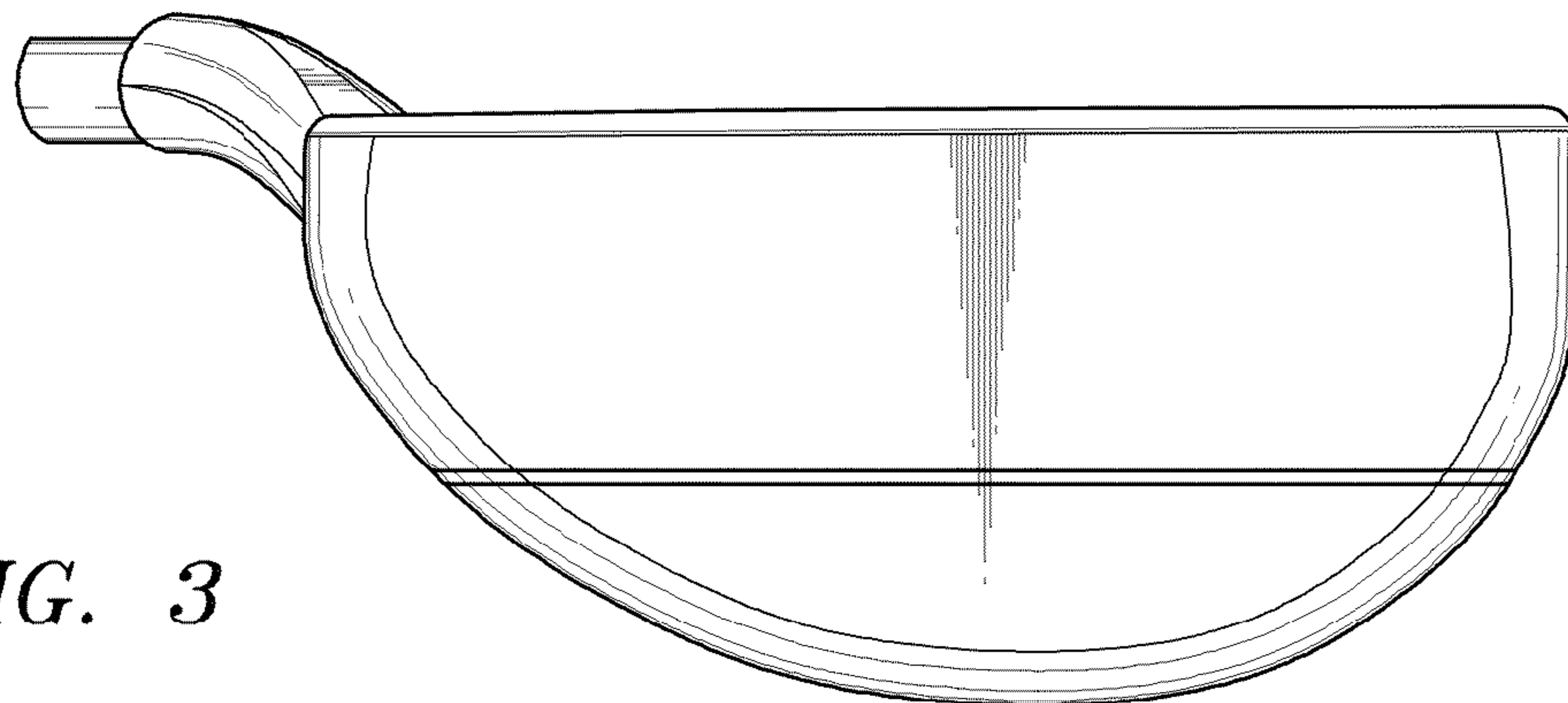


FIG. 3

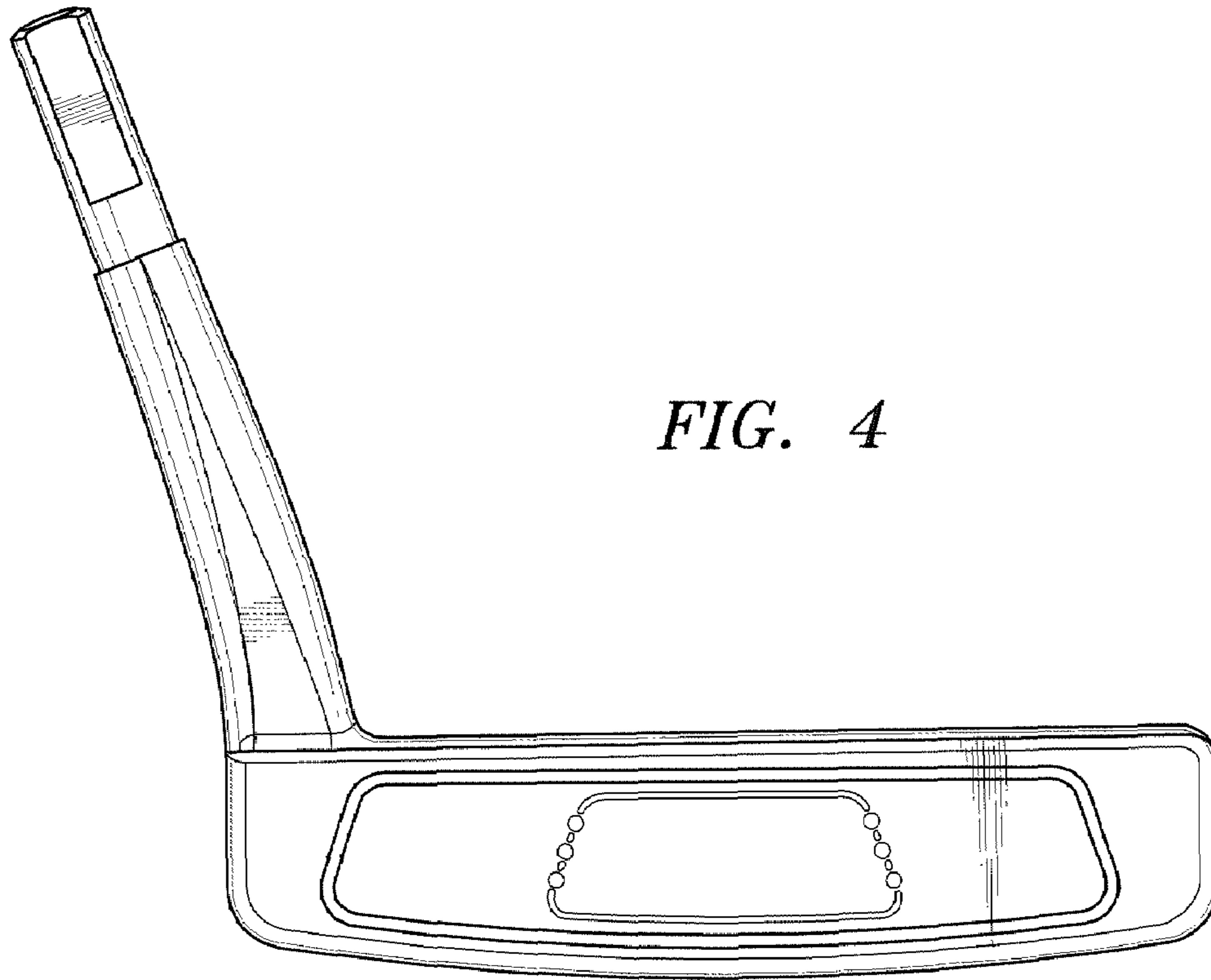


FIG. 4

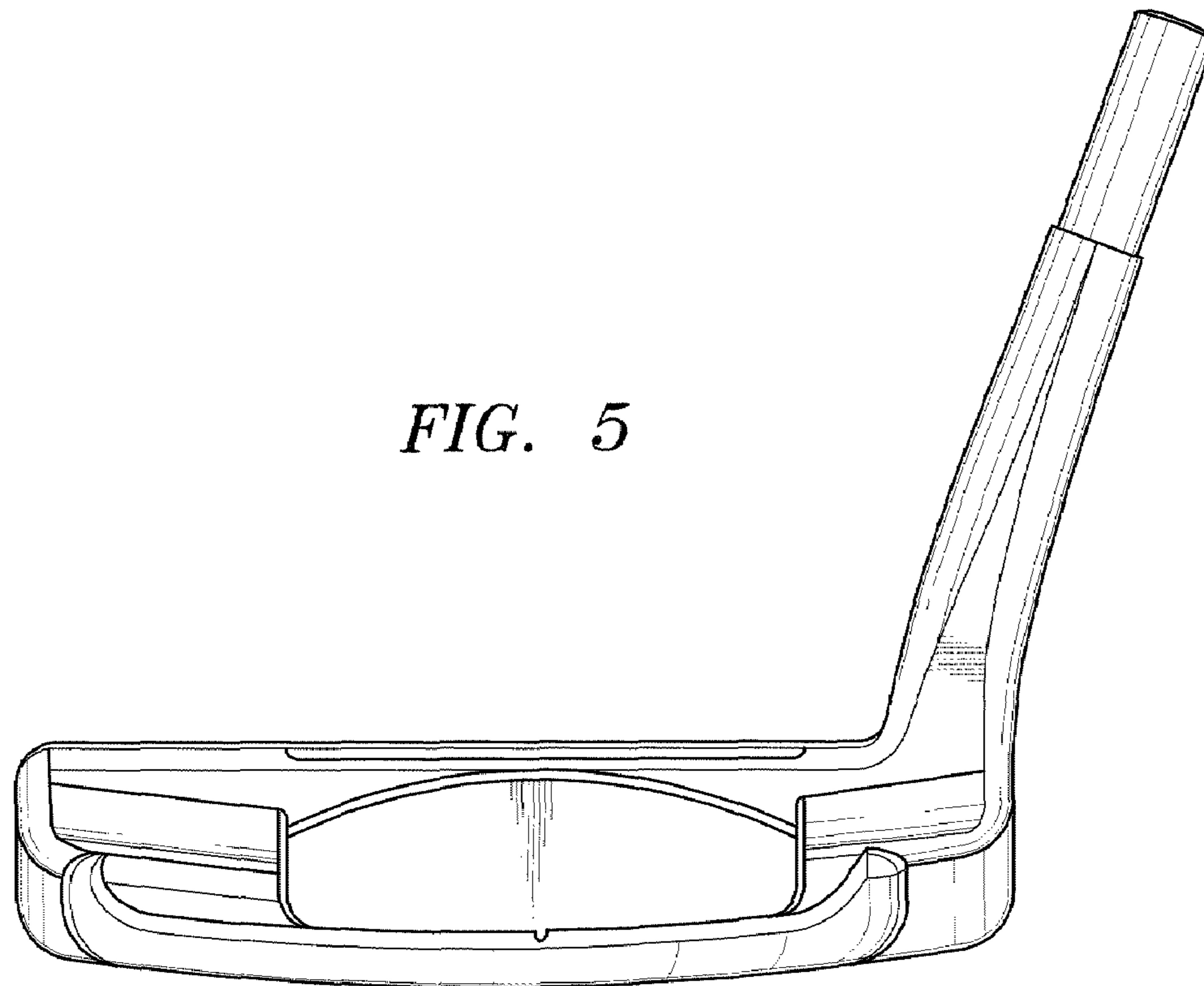


FIG. 5

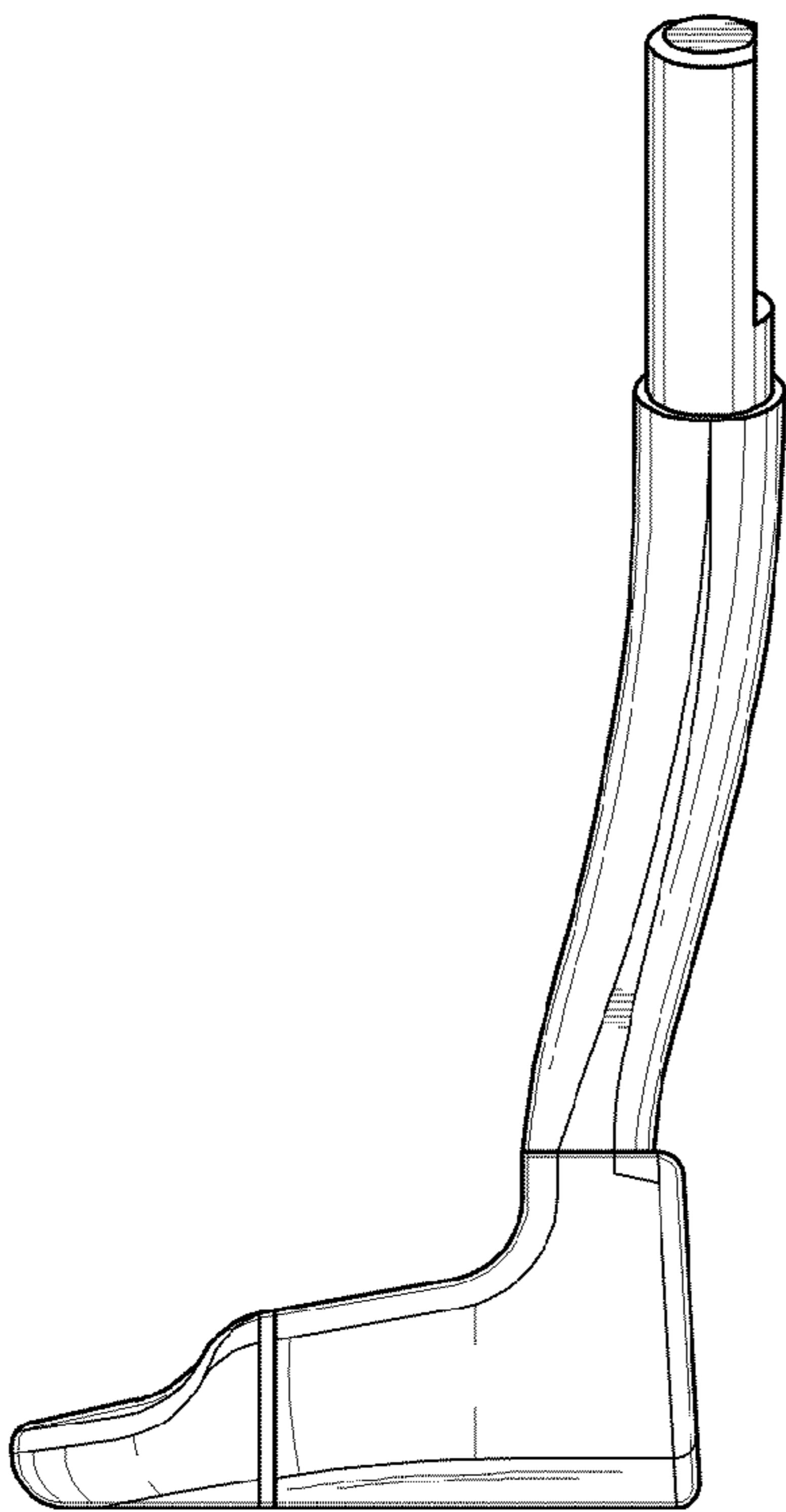


FIG. 6

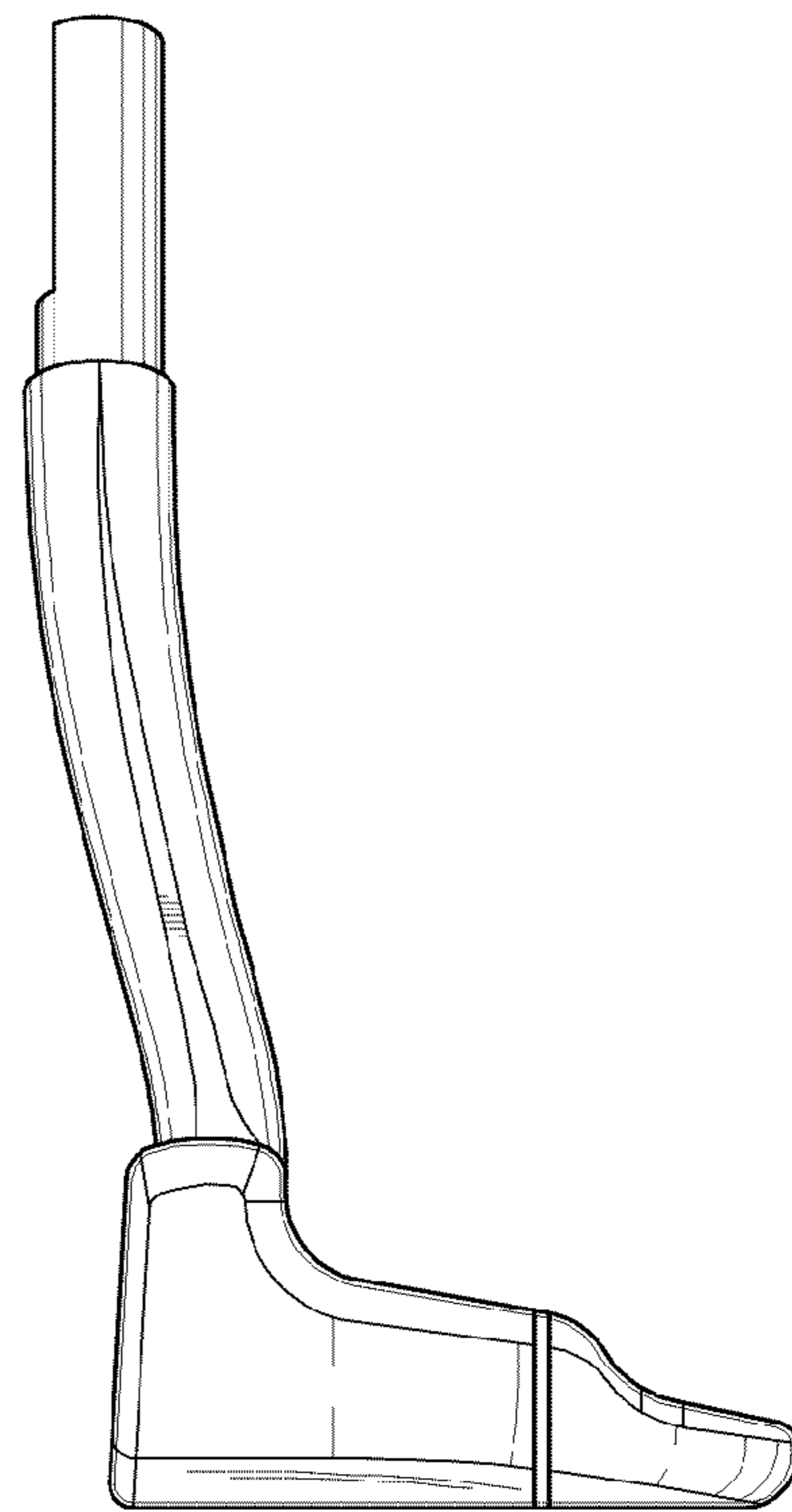


FIG. 7