



US00D592715S

(12) **United States Design Patent**
Takei

(10) **Patent No.:** **US D592,715 S**

(45) **Date of Patent:** **** May 19, 2009**

(54) **PUTTER HEAD**

(75) Inventor: **Yoji Takei**, Nakagun (JP)

(73) Assignee: **Avanti Corporation**, Nakagun,
Kanagawa (JP)

(**) Term: **14 Years**

(21) Appl. No.: **29/300,496**

(22) Filed: **Apr. 3, 2008**

(30) **Foreign Application Priority Data**

Jan. 25, 2008 (JP) 2008-001407

(51) **LOC (9) Cl.** **21-02**

(52) **U.S. Cl.** **D21/736**

(58) **Field of Classification Search** D21/736-746;
473/324-331, 340-341, 251-256
See application file for complete search history.

(56) **References Cited**

U.S. PATENT DOCUMENTS

D307,455 S *	4/1990	Boone	D21/744
D307,617 S *	5/1990	Boone	D21/744
D340,753 S *	10/1993	Miesch	D21/743
D349,142 S *	7/1994	Boone	D21/743
D350,581 S *	9/1994	Boone	D21/743
D350,583 S *	9/1994	Boone	D21/743
D360,008 S *	7/1995	Solheim	D21/738

D380,798 S *	7/1997	Novelli	D21/739
D381,726 S *	7/1997	Sugo	D21/745
D398,353 S *	9/1998	Wooten	D21/742
D478,642 S *	8/2003	Spino	D21/736
D532,066 S *	11/2006	Tang	D21/736
D560,263 S *	1/2008	Rubino	D21/759
D565,685 S *	4/2008	Homma	D21/759

* cited by examiner

Primary Examiner—Mitchell I Siegel

(74) *Attorney, Agent, or Firm*—Edwards Angell Palmer & Dodge LLP

(57) **CLAIM**

The ornamental design for a putter head, as shown and described.

DESCRIPTION

FIG. 1 is a front view of the putter head;
FIG. 2 is a rear view thereof;
FIG. 3 is a top plan view thereof;
FIG. 4 is a bottom plan view thereof;
FIG. 5 is a left side view thereof;
FIG. 6 is a right side view thereof;
FIG. 7 is a top perspective view thereof; and,
FIG. 8 is a bottom perspective view thereof.

1 Claim, 4 Drawing Sheets

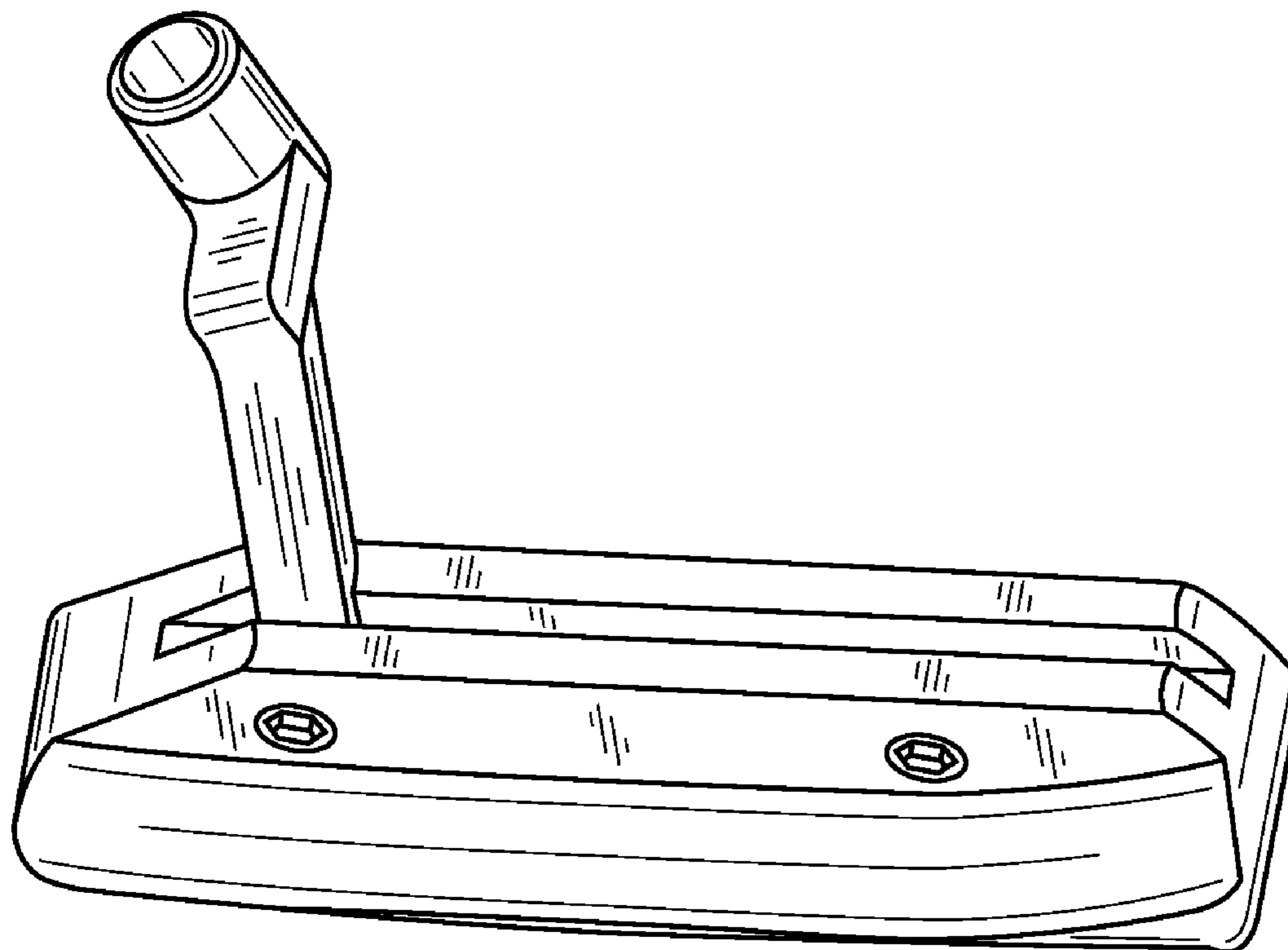


FIG. 1

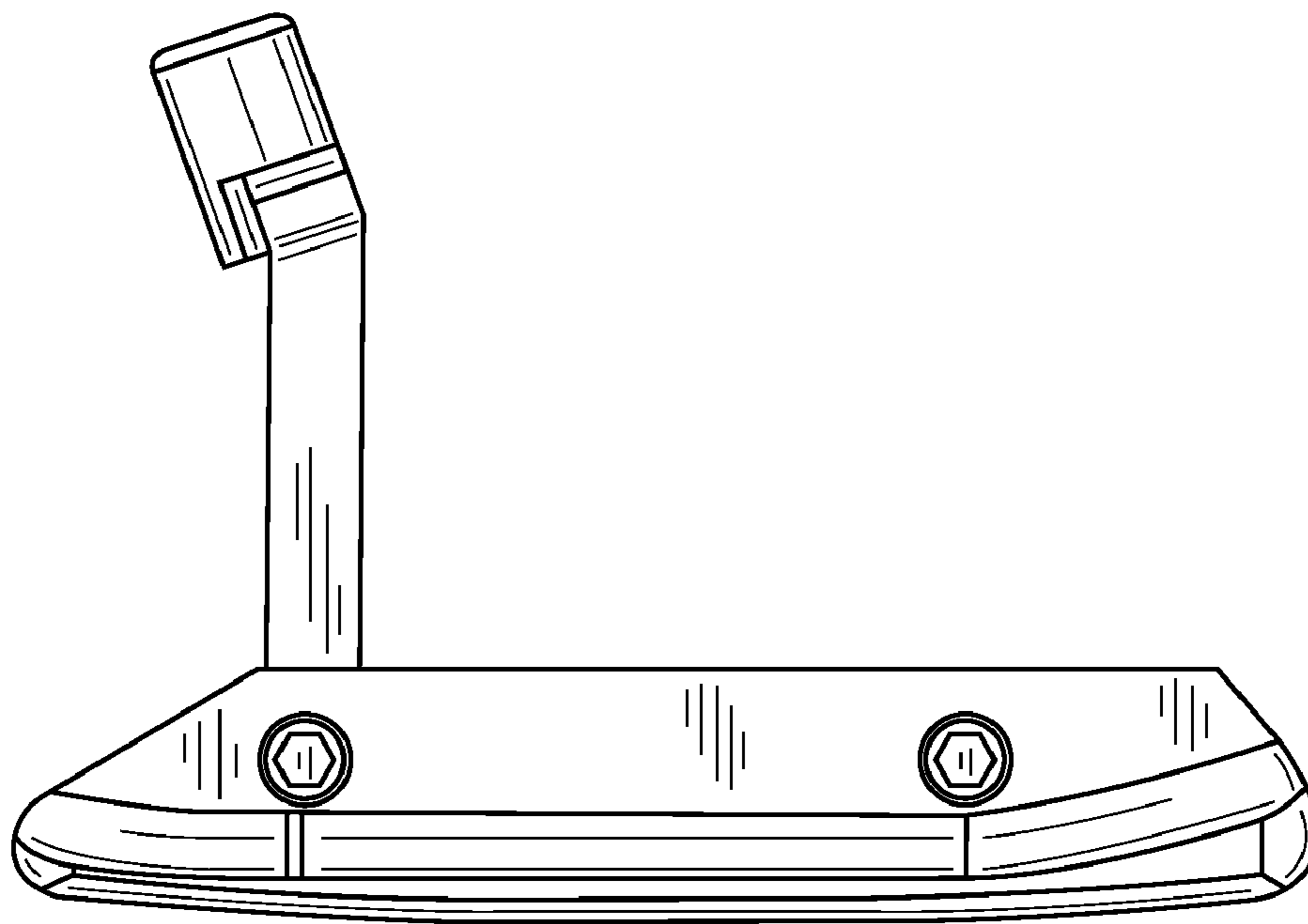


FIG. 2

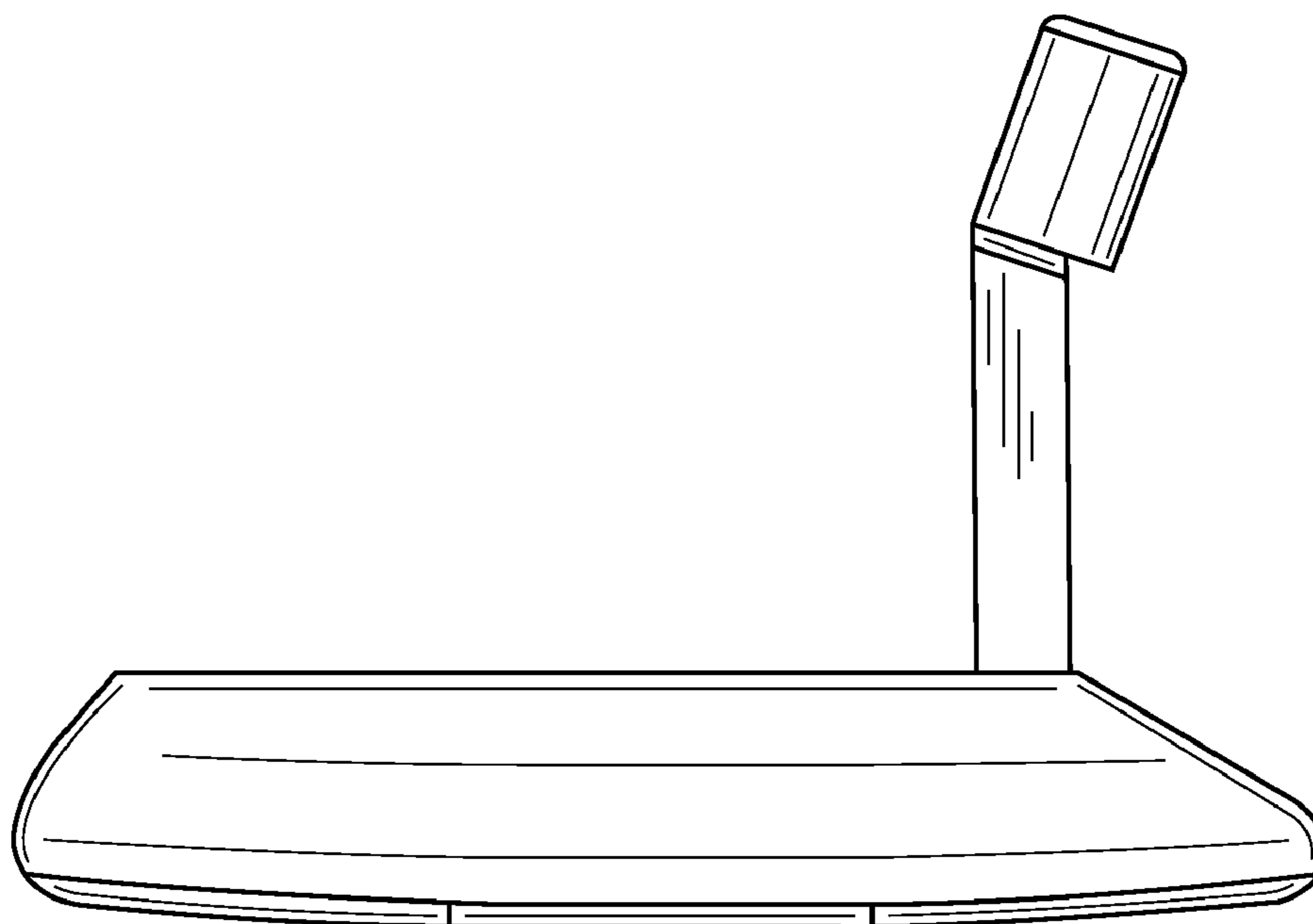


FIG.3

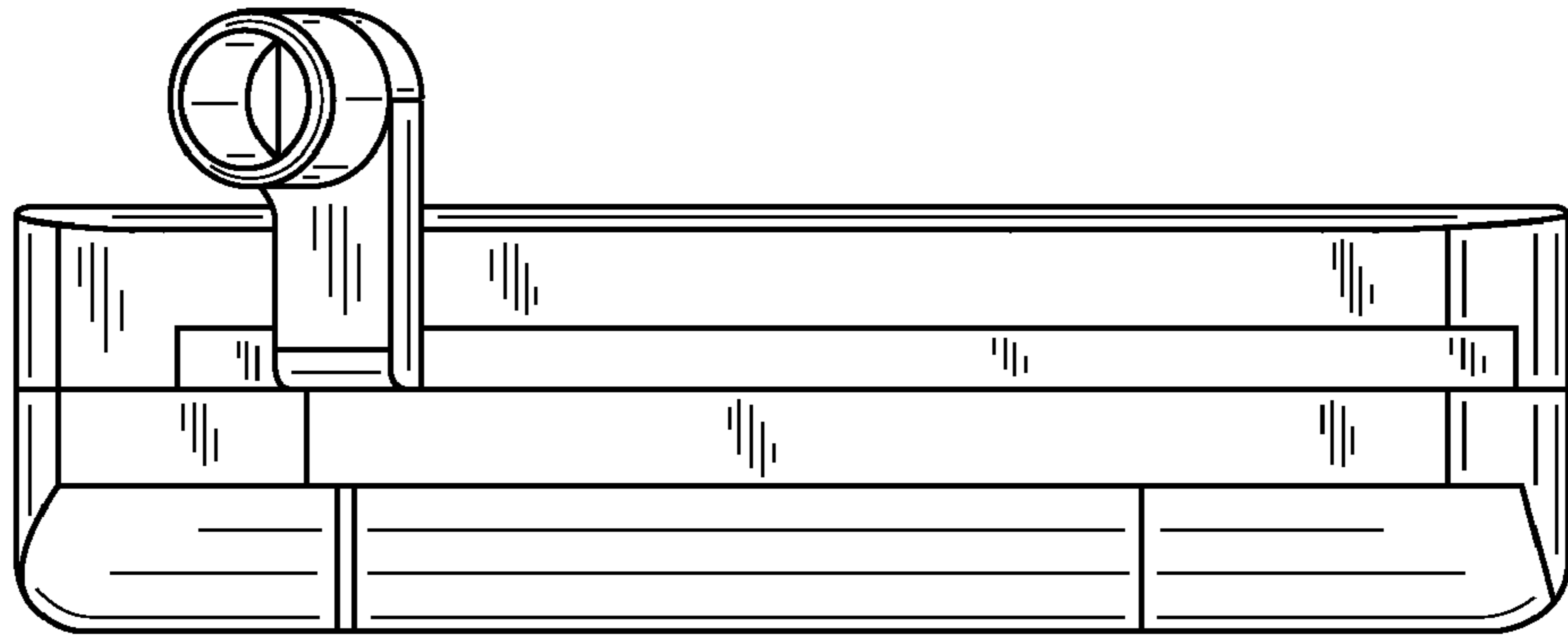


FIG.4

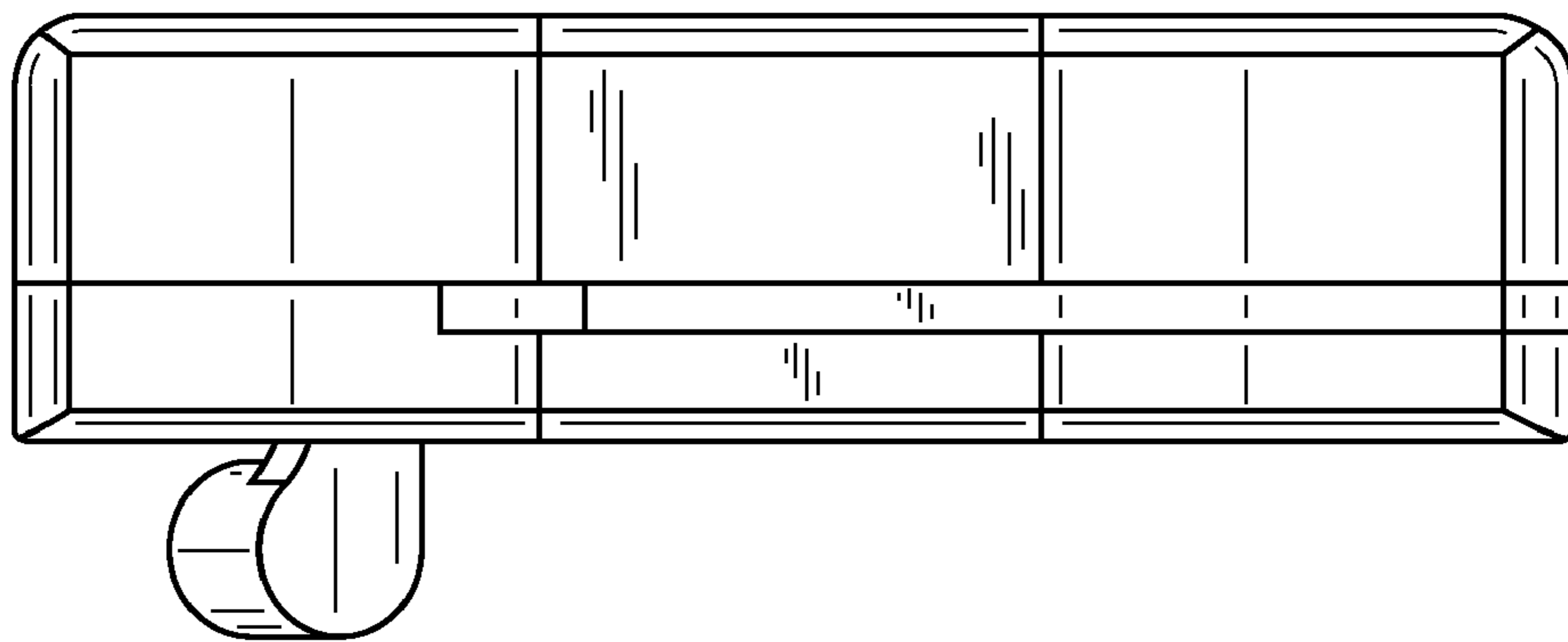


FIG. 5

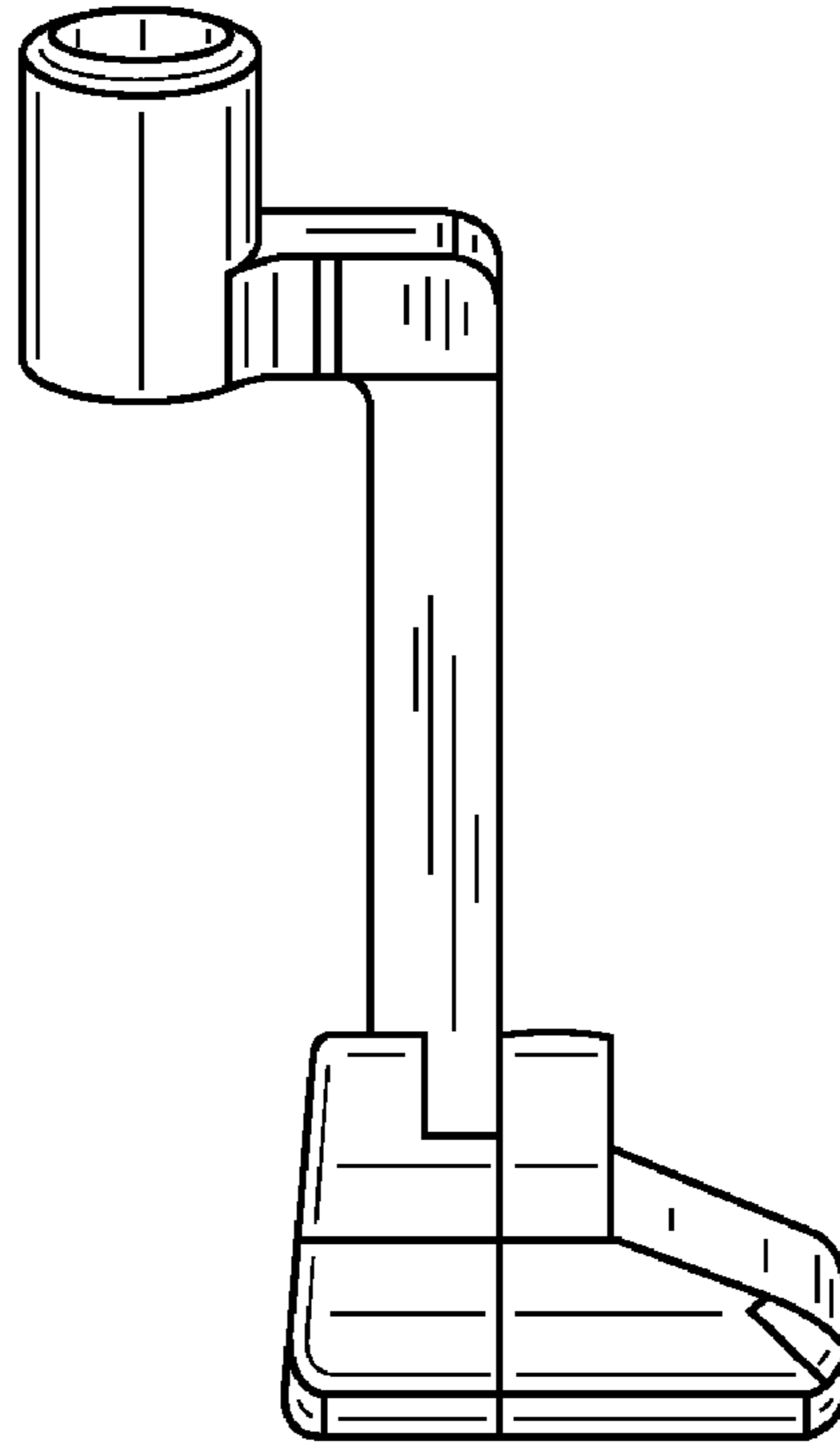


FIG. 6

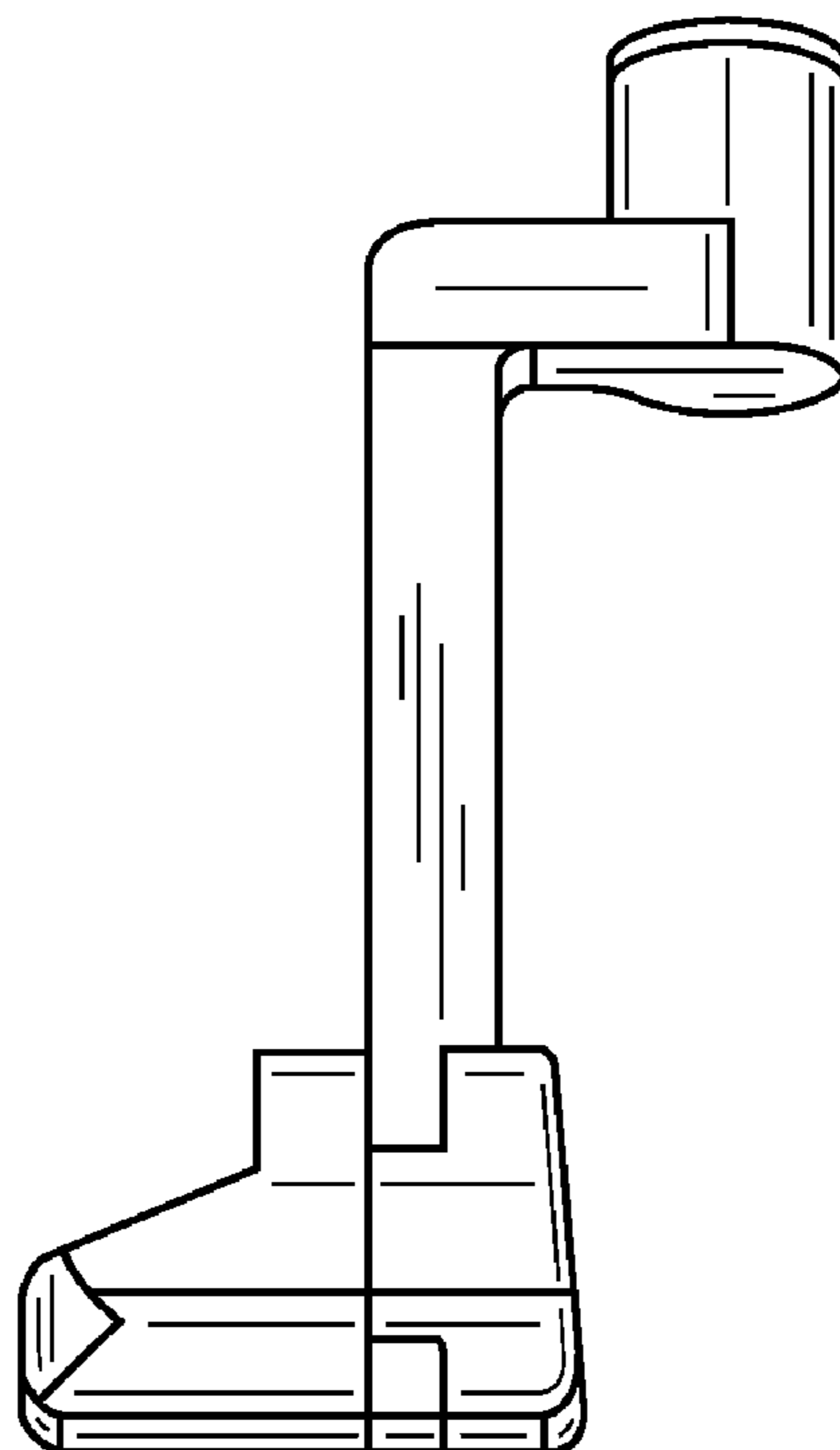


FIG.7

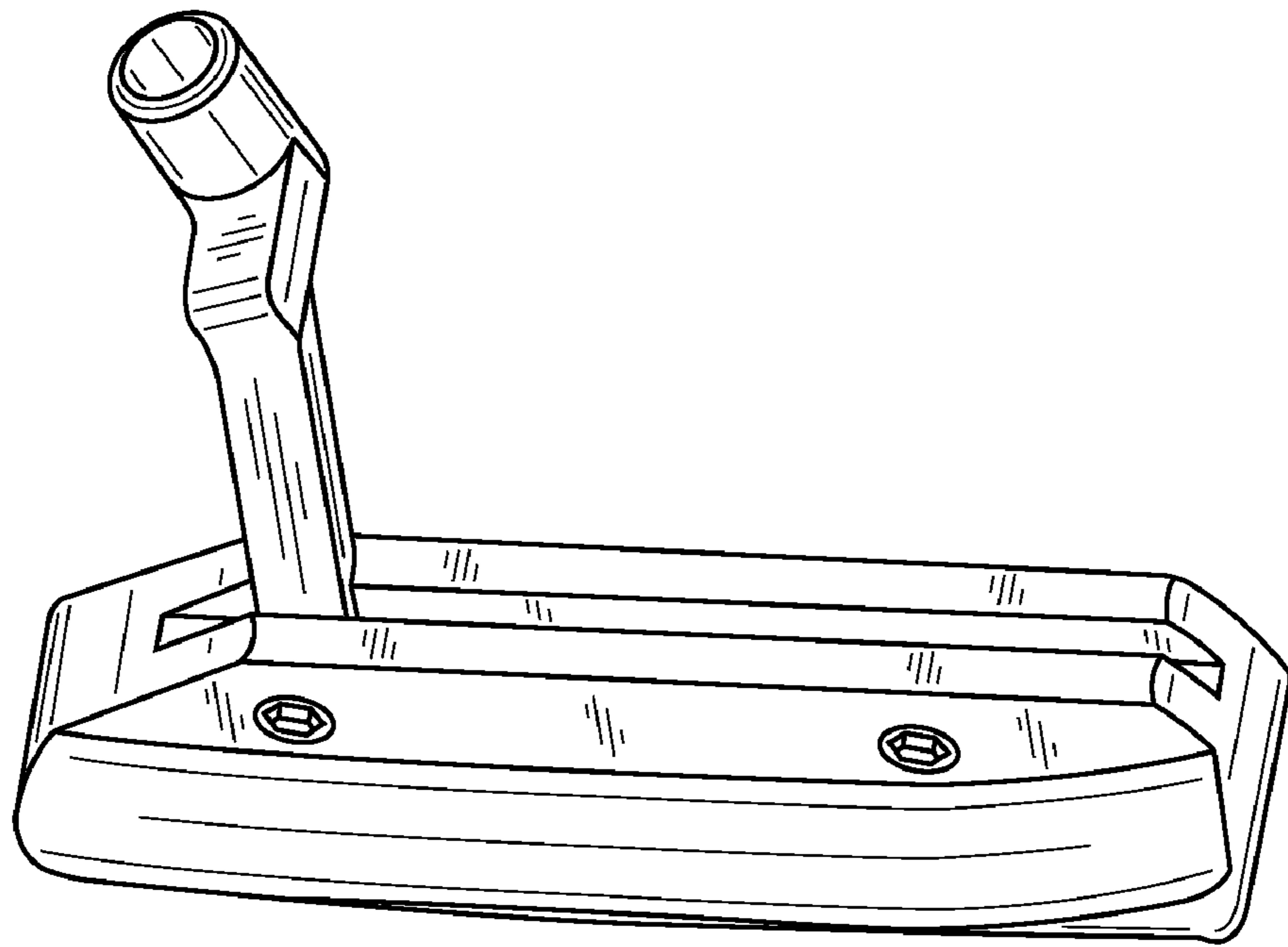


FIG.8

