



US00D592710S

(12) **United States Design Patent**
Cesari

(10) **Patent No.:** **US D592,710 S**
(45) **Date of Patent:** **** May 19, 2009**

(54) **HOLDER FOR TOY BALLOONS**

FOREIGN PATENT DOCUMENTS

(75) Inventor: **Massimiliano Cesari**, Cernusco Sul Naviglio (IT)

GB 2272170 A * 5/1994
WO WO 2006121416 A1 * 11/2006

(73) Assignee: **Cesari S.r.l.**, Vimodrone (MI) (IT)

* cited by examiner

(**) Term: **14 Years**

Primary Examiner—Catherine Tuttle

(74) *Attorney, Agent, or Firm*—Young & Thompson

(21) Appl. No.: **29/320,734**

(57) **CLAIM**

(22) Filed: **Jul. 2, 2008**

The ornamental design for a holder for toy balloons, as shown and described.

(51) **LOC (9) Cl.** **21-01**

(52) **U.S. Cl.** **D21/453**

(58) **Field of Classification Search** D21/439, D21/440, 453; D11/130, 164, 184; D8/349, D8/354, 356, 360.1, 363, 367, 373, 376, 382, D8/383, 394, 395; 446/220–226; 248/205.1, 248/27.8, 309.1, 314, 315, 316.1, 316.2, 248/316.5, 316.7, 500, 505, 507; 24/1, 3.1, 24/5, 3.12, 518, 521, 543, 545, 561, 562, 24/564; 211/13.1, 85.7, 60.1, 86.01, 89.01

See application file for complete search history.

DESCRIPTION

FIG. 1 is a side elevational view of a holder for toy balloons showing my new design;

FIG. 2 is a front elevational view thereof;

FIG. 3 is a side elevational view thereof from the side opposite that shown in FIG. 1;

FIG. 4 is a rear elevational view thereof;

FIG. 5 is a bottom plan view of the handle portion, shown separately for ease of illustration;

FIG. 6 is a top plan view of FIGS. 1–4;

FIG. 7 is a side elevational view similar to FIG. 1, but showing the clip element in a closed position;

FIG. 8 is a front elevational view of FIG. 7;

FIG. 9 is a side view similar to FIG. 7, but showing the ring element in an alternate horizontal orientation;

FIG. 10 is an elevational view of the opposite side of FIG. 7;

FIG. 11 is a rear elevational view of FIGS. 7, 8 and 10;

FIG. 12 is a top plan view of FIGS. 7, 8, 10 and 11;

FIG. 13 is a front perspective view of FIGS. 1–4 and 6; and,

FIG. 14 is a front perspective view of FIGS. 7, 8, and 10–12.

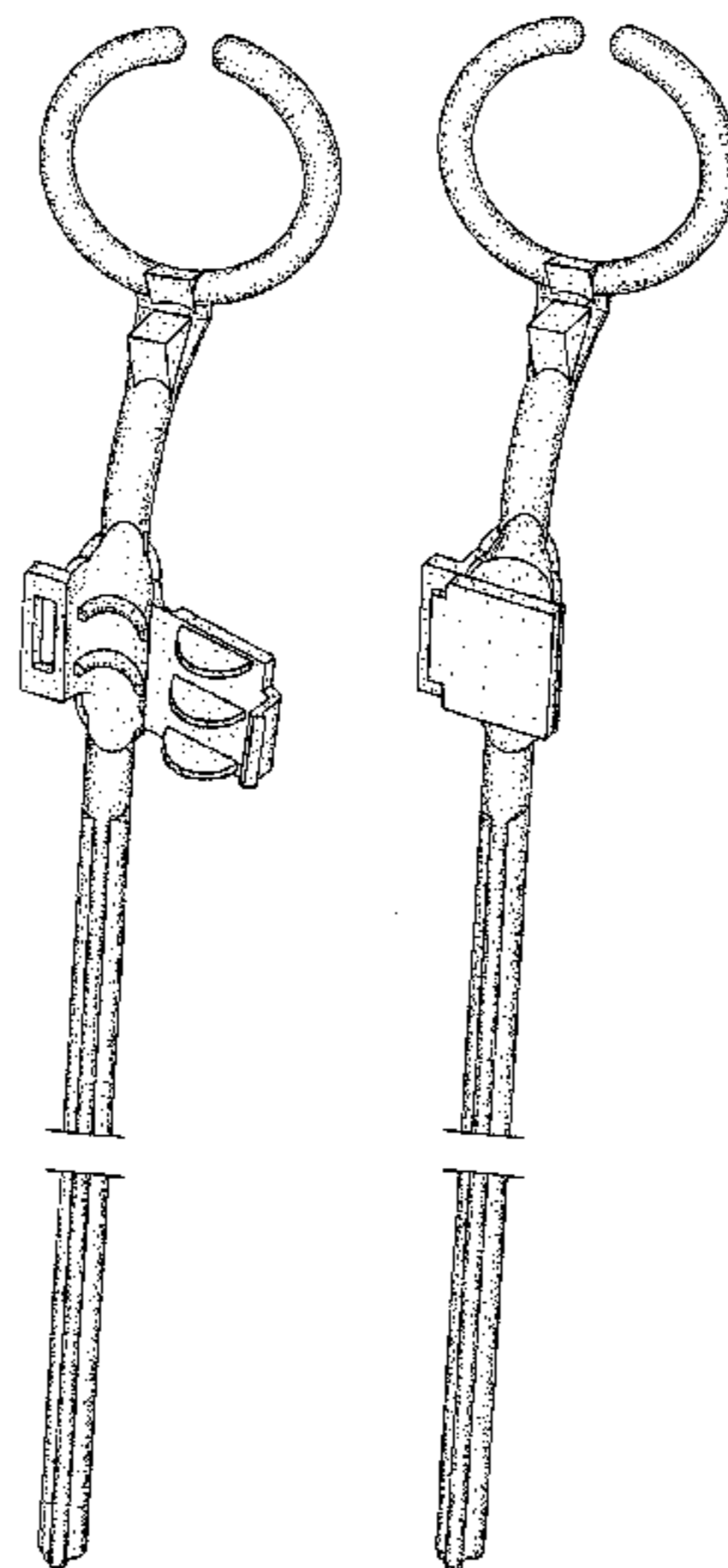
The handle element is shown partially broken away in the various elevation views for ease of illustration.

(56) **References Cited**

U.S. PATENT DOCUMENTS

- 1,070,422 A * 8/1913 Creque 446/224
- 3,473,770 A * 10/1969 Edgerton 248/87
- 3,978,555 A * 9/1976 Weisenthal 24/543
- D245,755 S * 9/1977 Lewis D8/349
- 4,380,103 A * 4/1983 McGrath et al. 24/543
- D285,409 S * 9/1986 Lemkin et al. D8/356
- 4,715,841 A * 12/1987 Nelson et al. 446/222
- 4,897,900 A * 2/1990 Baggett 24/543
- D378,439 S * 3/1997 Gary et al. D26/138
- 6,464,188 B1 * 10/2002 Donovan 248/316.1
- 6,688,939 B1 * 2/2004 Novak 446/220
- D517,123 S * 3/2006 Sidwell D20/42
- 2006/0292960 A1 * 12/2006 Muller 446/220
- 2007/0037473 A1 * 2/2007 Long 446/220

1 Claim, 8 Drawing Sheets



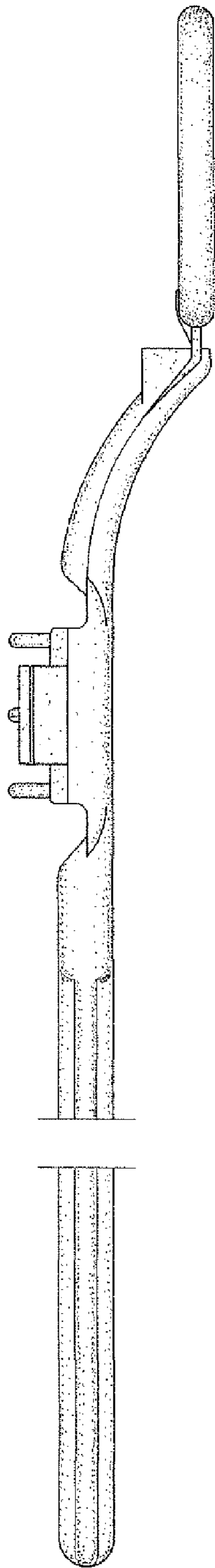


FIG. 1

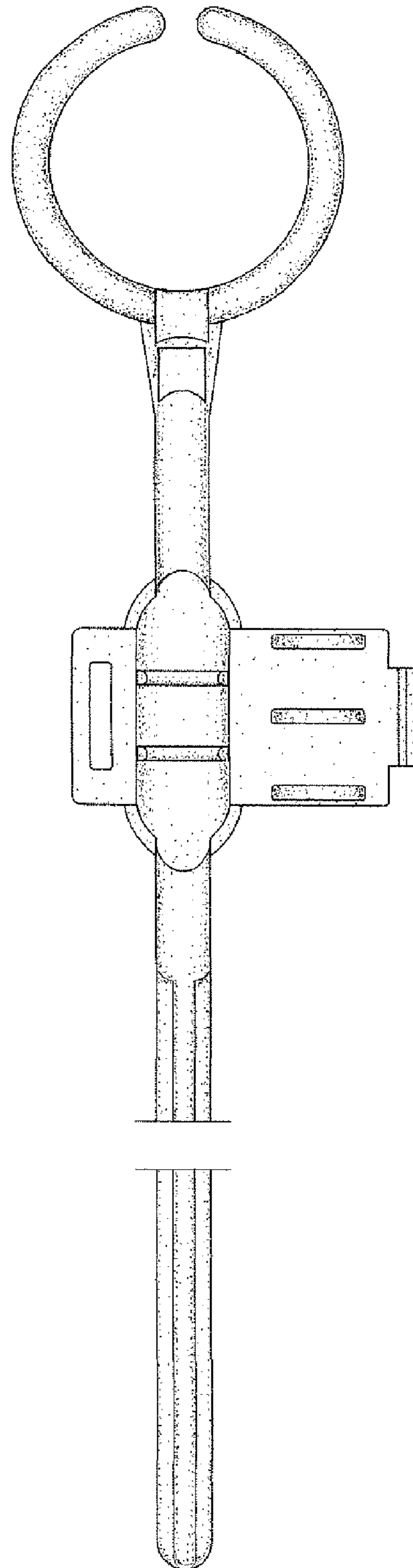


FIG. 2

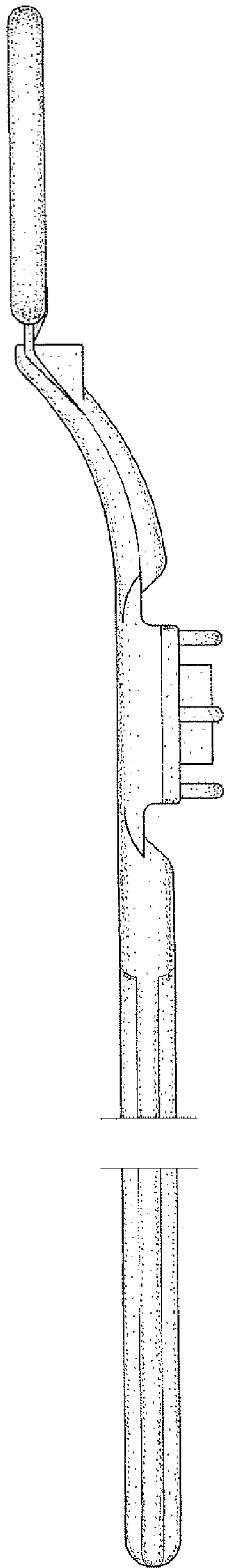


FIG.3

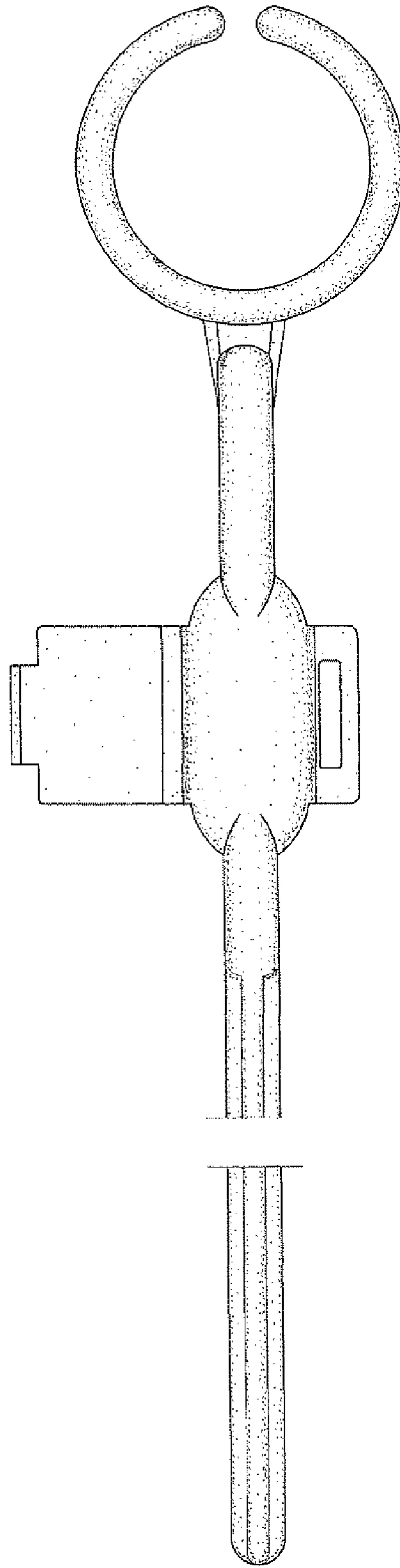


FIG.4



FIG. 5

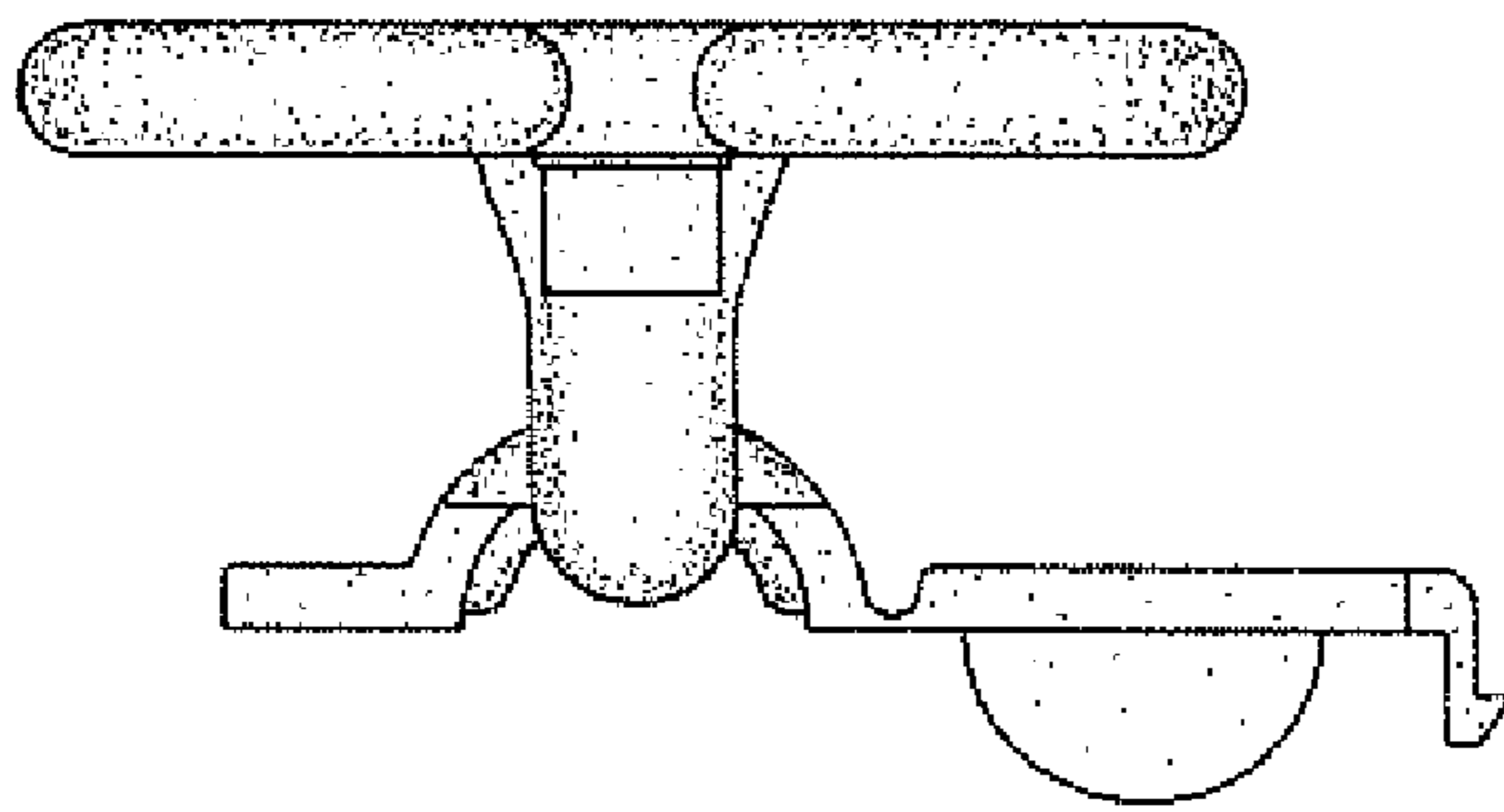


FIG. 6

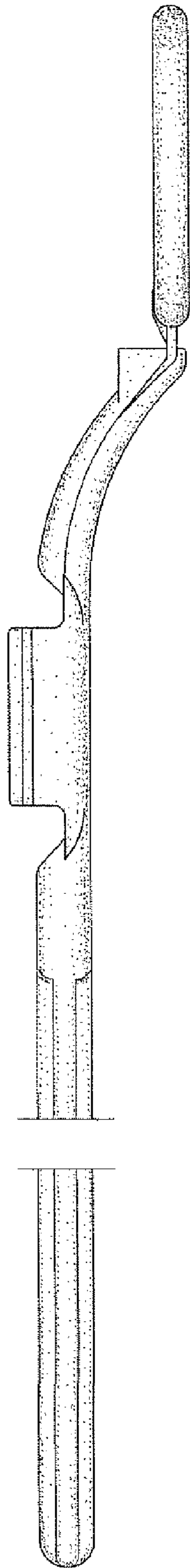


FIG. 7

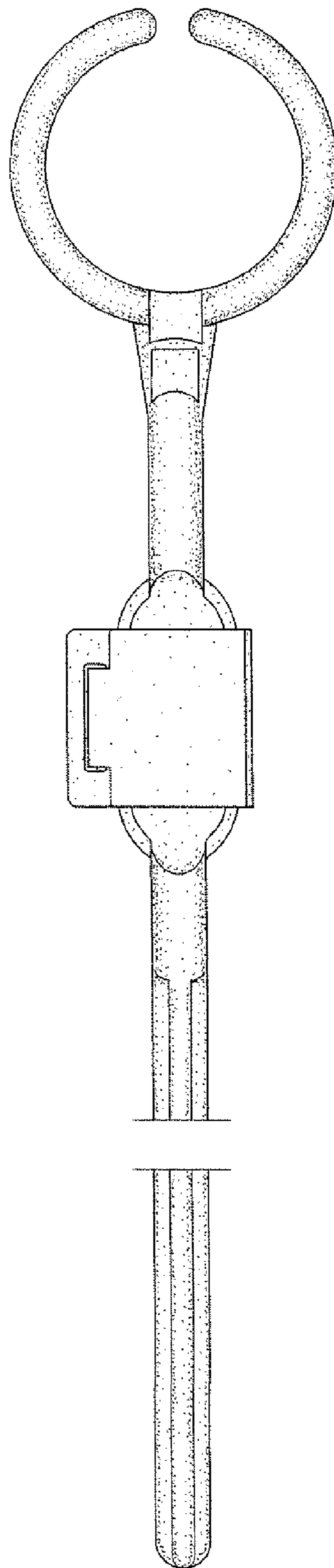


FIG. 8

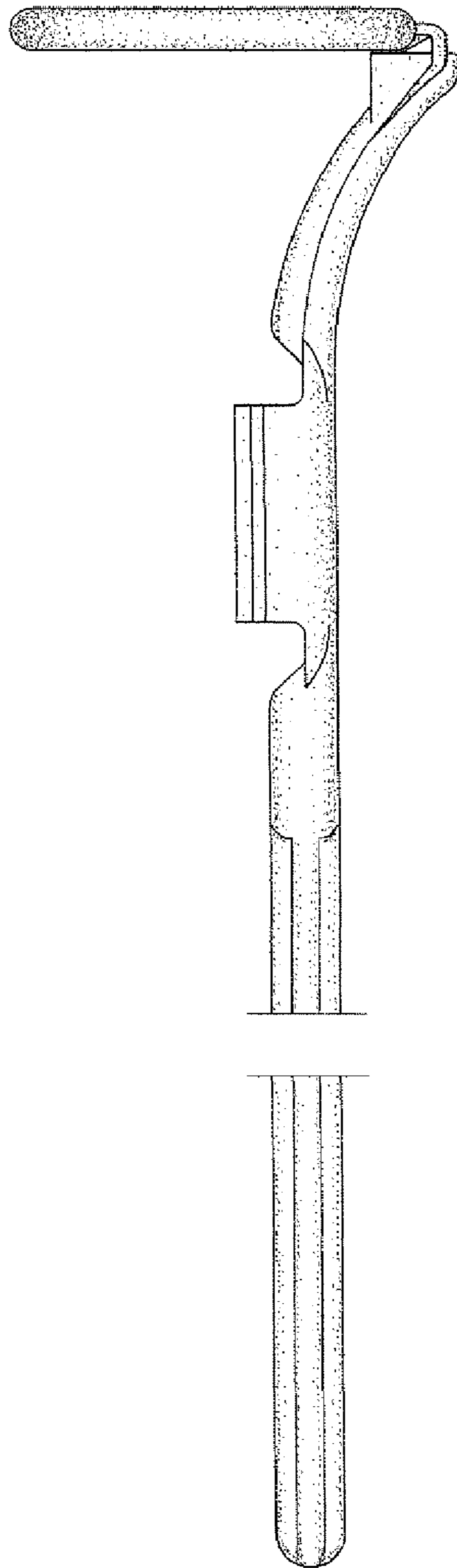


FIG.9

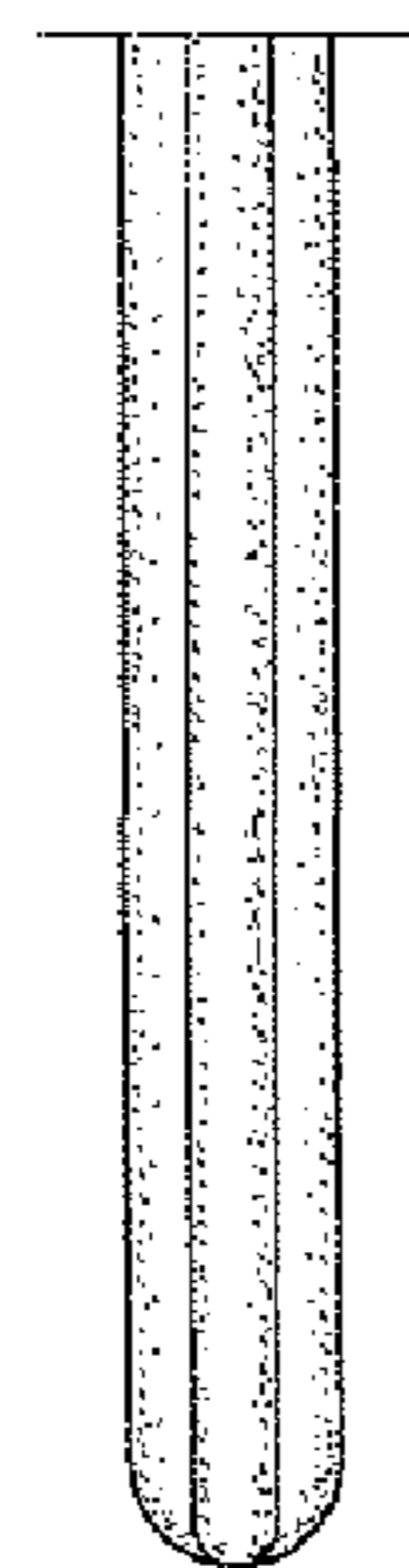
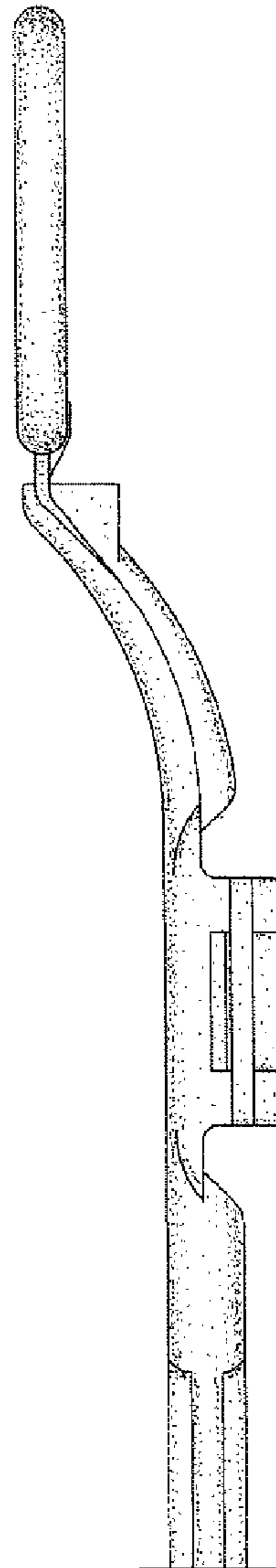


FIG. 10

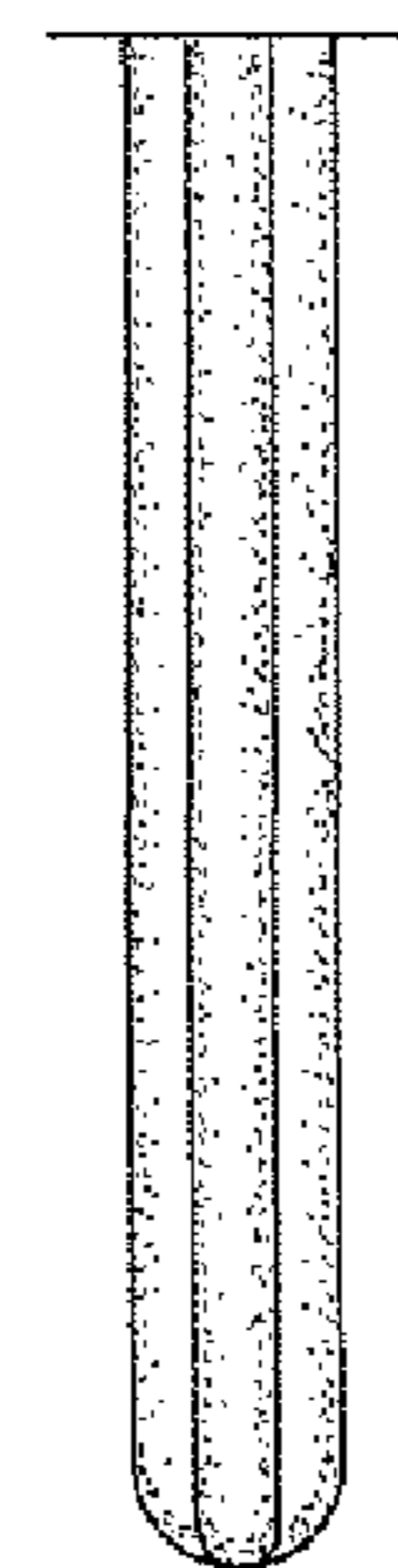
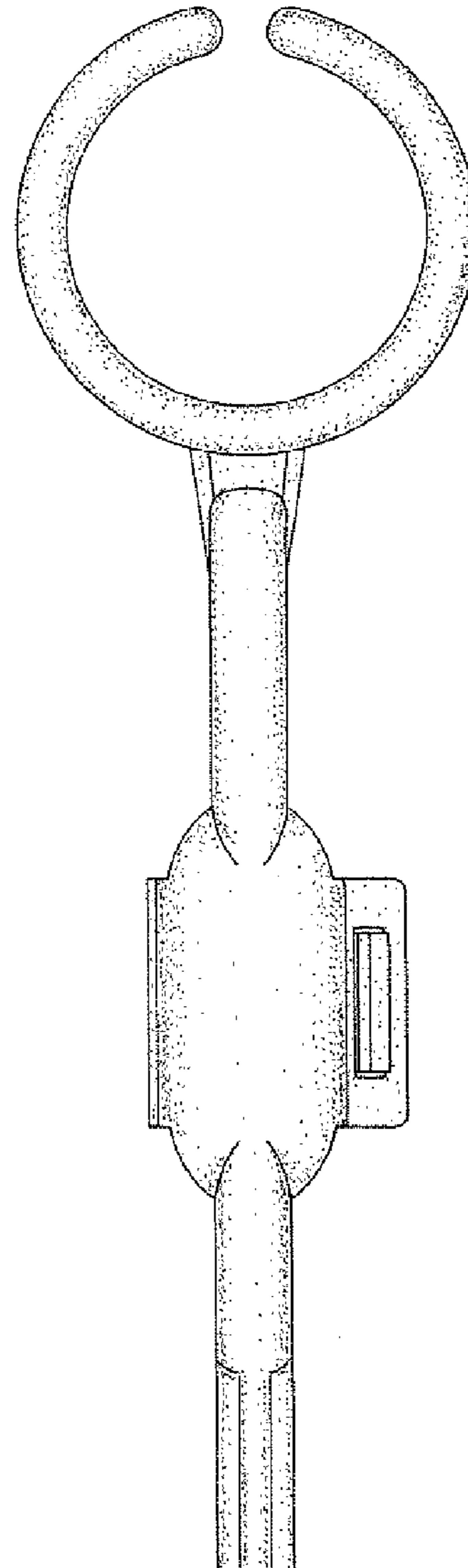


FIG. 11

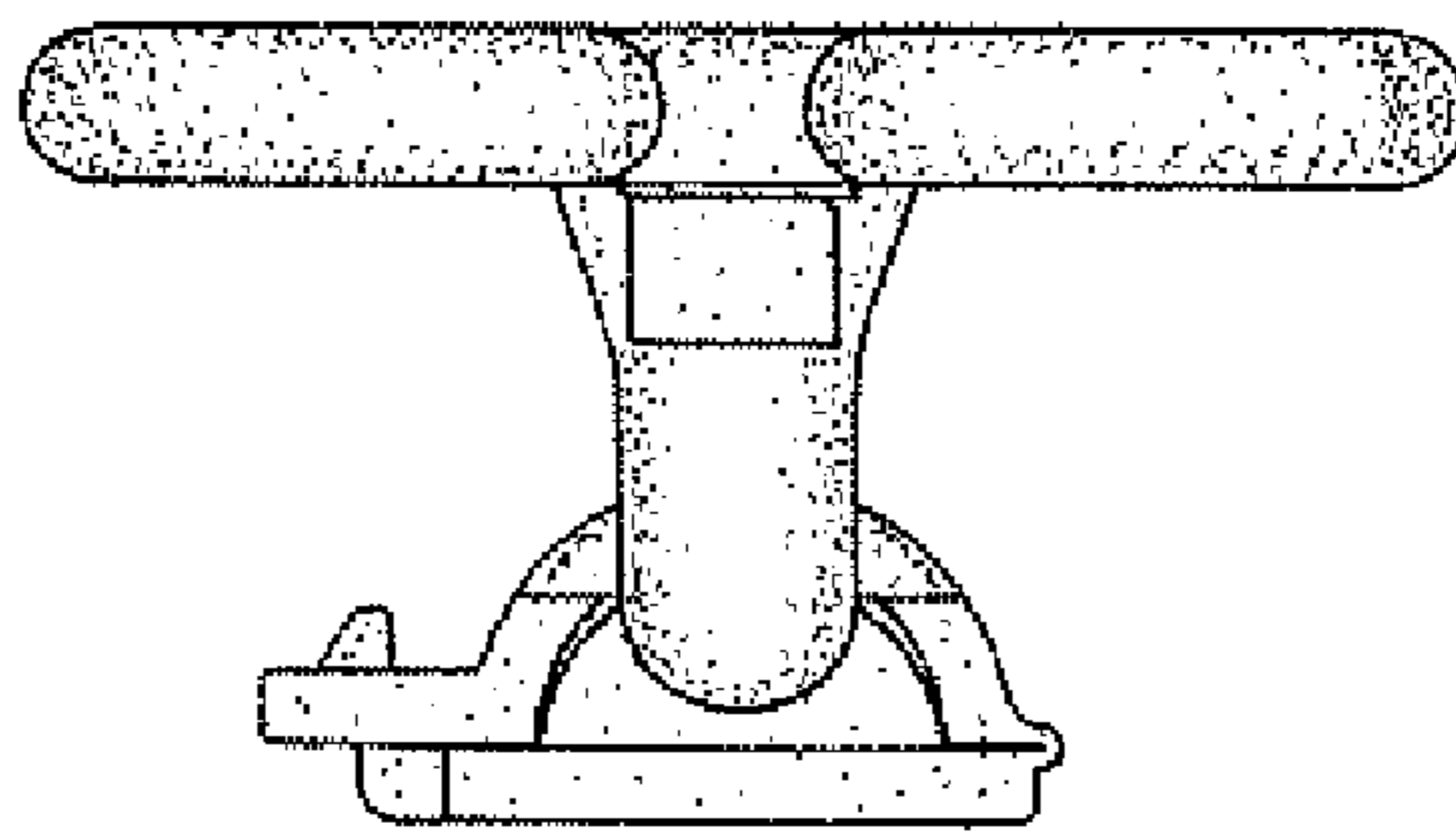


FIG.12

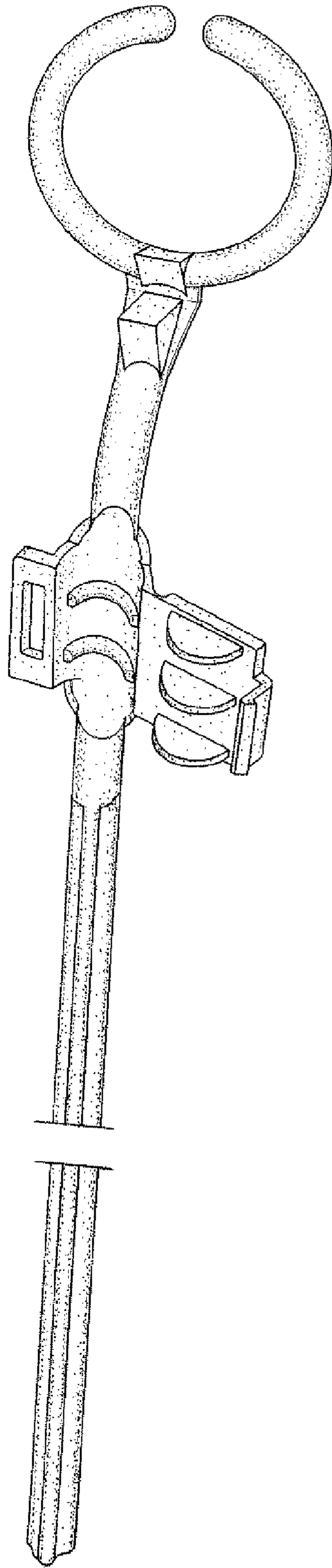


FIG. 13

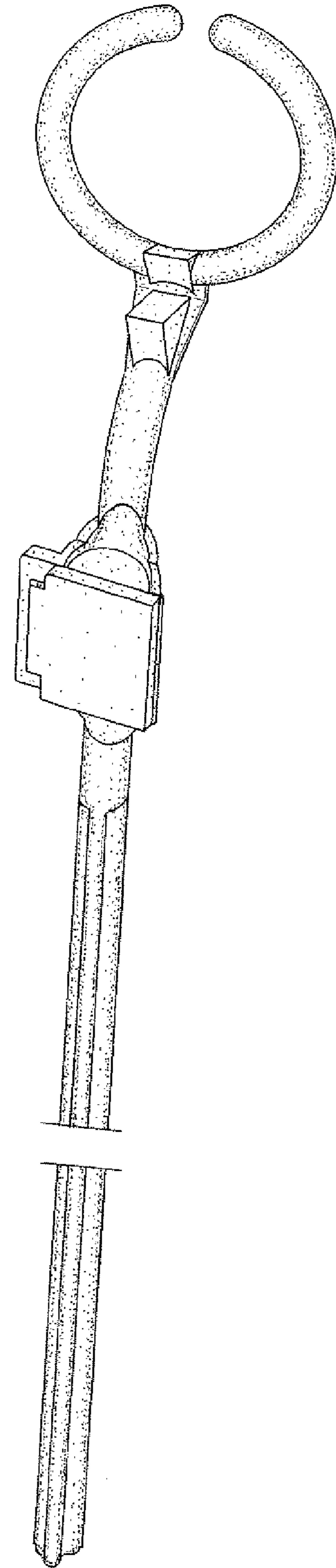


FIG. 14