



US00D592709S

(12) **United States Design Patent**
McComb et al.

(10) **Patent No.:** **US D592,709 S**

(45) **Date of Patent:** **** May 19, 2009**

(54) **GAMING MACHINE CABINET**

(75) Inventors: **Ryan D. McComb**, Grand Rapids, MI (US); **Brian M. Anderson**, Grand Rapids, MI (US)

(73) Assignee: **SPEC International, Inc.**, Grand Rapids, MI (US)

(**) Term: **14 Years**

(21) Appl. No.: **29/298,318**

(22) Filed: **Dec. 3, 2007**

(51) **LOC (9) Cl.** **21-03**

(52) **U.S. Cl.** **D21/370**

(58) **Field of Classification Search** D14/306;
D21/325, 329, 333, 369-370, 385; 463/12,
463/16-17, 20, 25, 29, 40, 46-47
See application file for complete search history.

(56) **References Cited**

U.S. PATENT DOCUMENTS

D495,754 S *	9/2004	Wurz et al.	D21/370
D495,755 S *	9/2004	Wurz et al.	D21/370
D521,075 S *	5/2006	Gauselmann	D21/370
D557,348 S *	12/2007	Gutknecht et al.	D21/370
D563,481 S	3/2008	Looks et al.		

* cited by examiner

Primary Examiner—Sandra Morris

(74) *Attorney, Agent, or Firm*—Price, Heneveld, Cooper, DeWitt & Litton, LLP

(57) **CLAIM**

The ornamental design for a gaming machine cabinet, as shown and described.

DESCRIPTION

FIG. 1 is an isometric view of a gaming machine cabinet, showing our new design;

FIG. 2 is a front elevational view;

FIG. 3 is a right-hand side elevational view;

FIG. 4 is a left-hand side elevational view;

FIG. 5 is a top plan view;

FIG. 6 is a bottom plan view;

FIG. 7 is a rear elevational view;

FIG. 8 is an isometric view of another embodiment of the gaming machine cabinet, showing our new design;

FIG. 9 is a front elevational view;

FIG. 10 is a right-hand side elevational view;

FIG. 11 is a left-hand side elevational view;

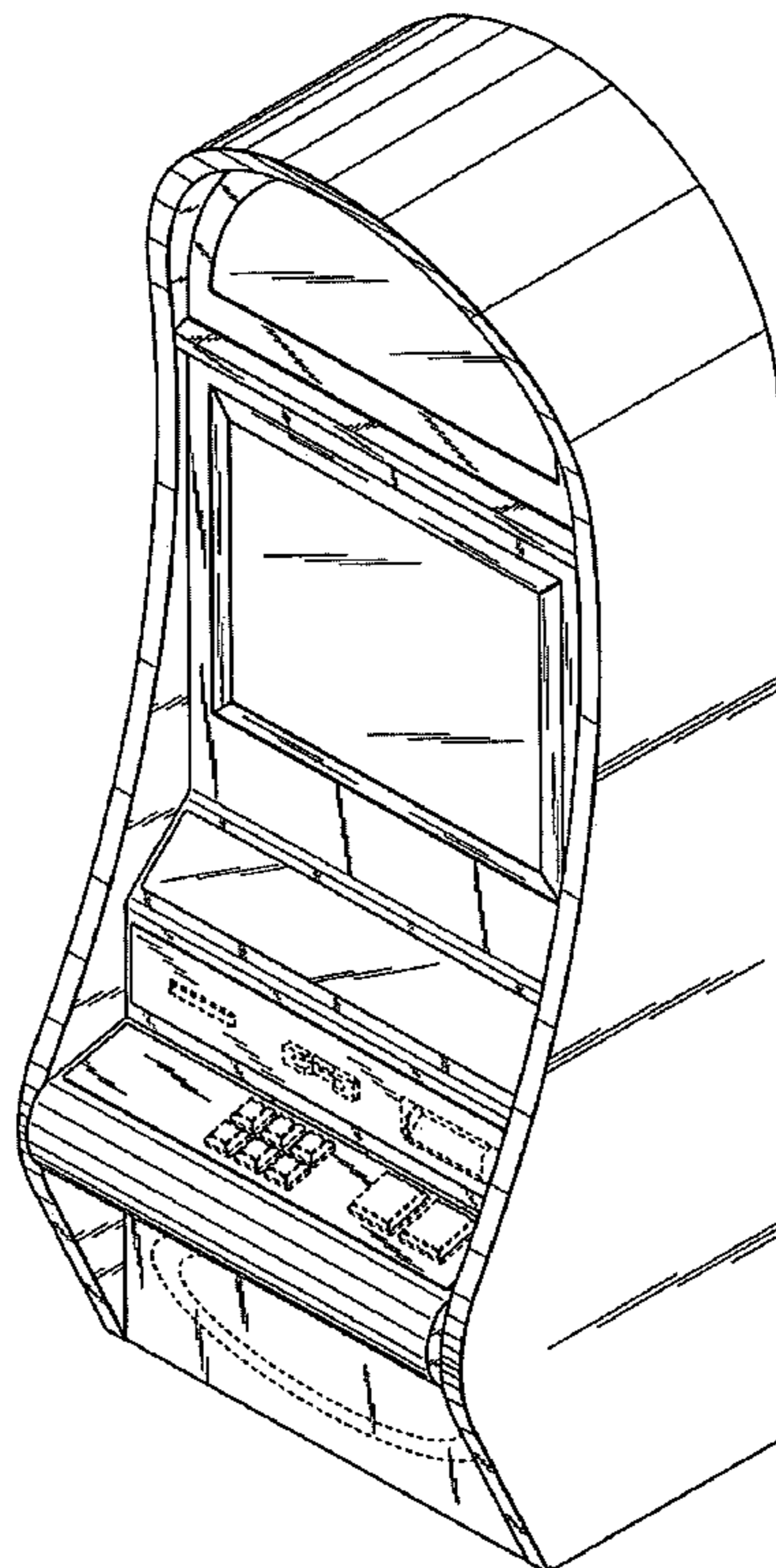
FIG. 12 is a top plan view; and

FIG. 13 is a bottom plan view; and,

FIG. 14 is a rear elevational view thereof.

The dashed lines in the figures show the environment of the present design and are not part of the design.

1 Claim, 14 Drawing Sheets



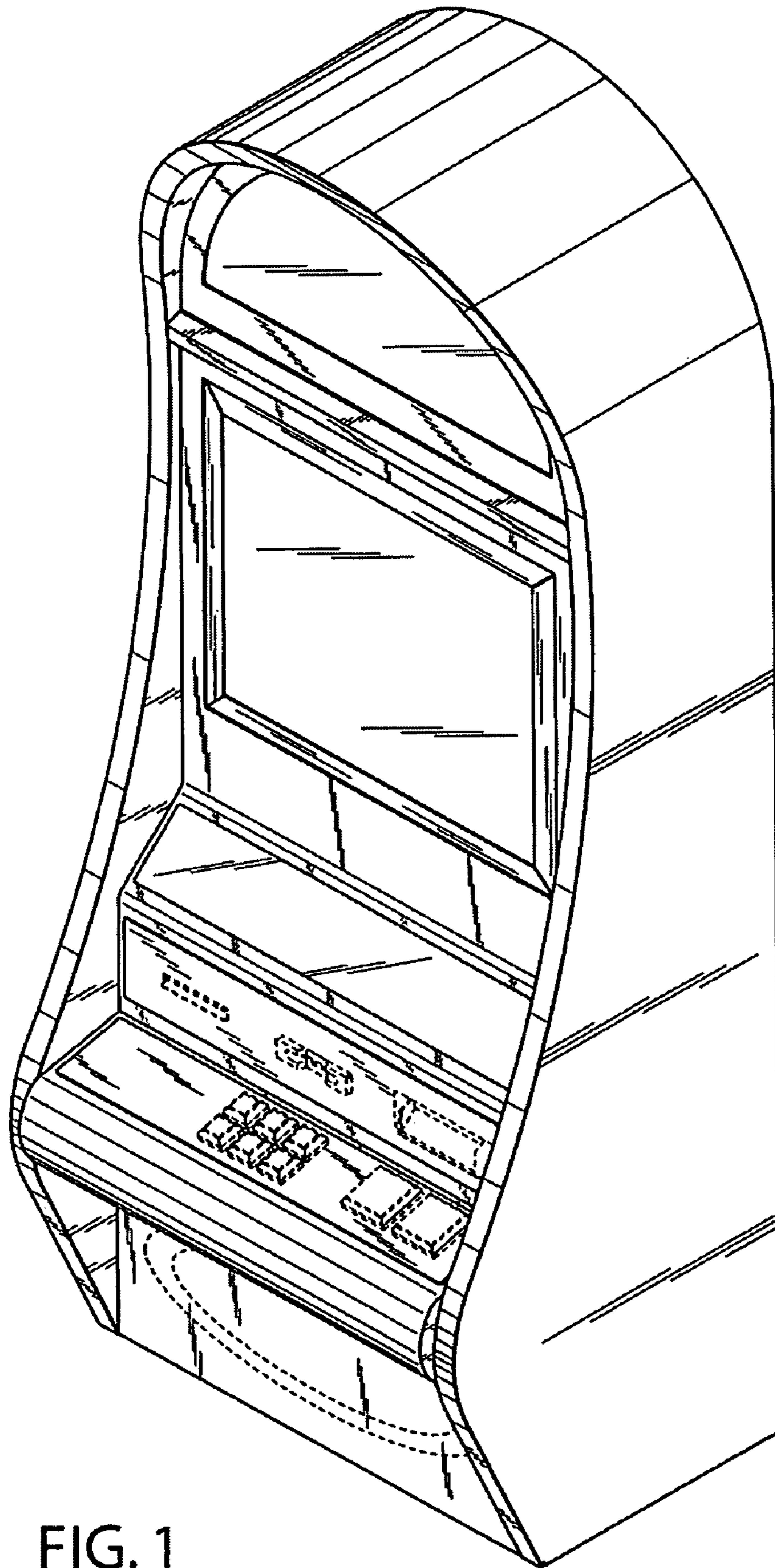


FIG. 1

FIG. 2

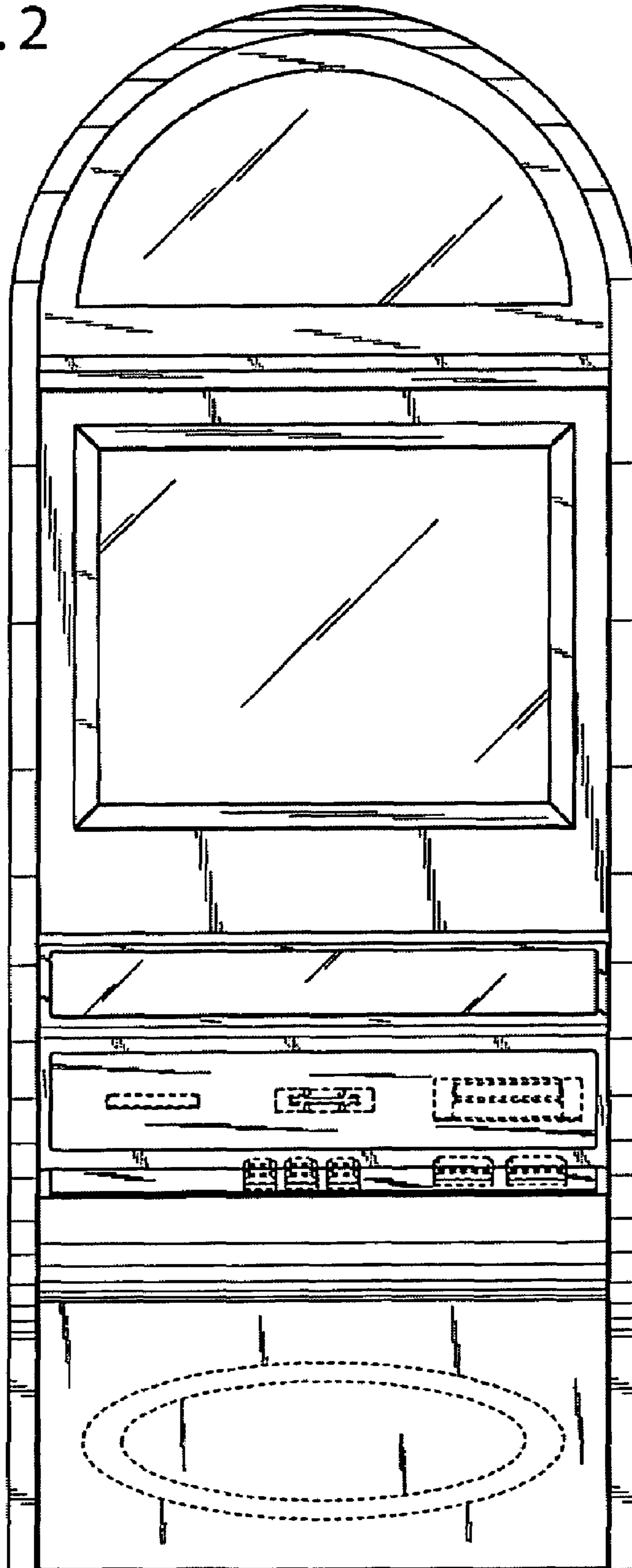


FIG. 3

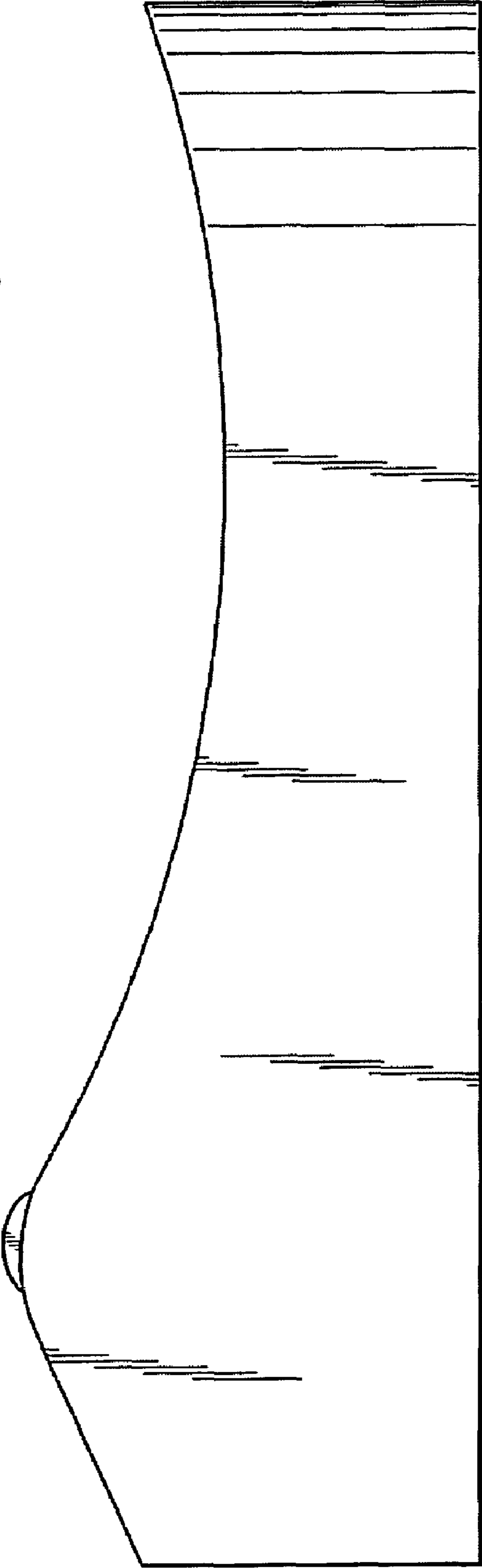


FIG. 4

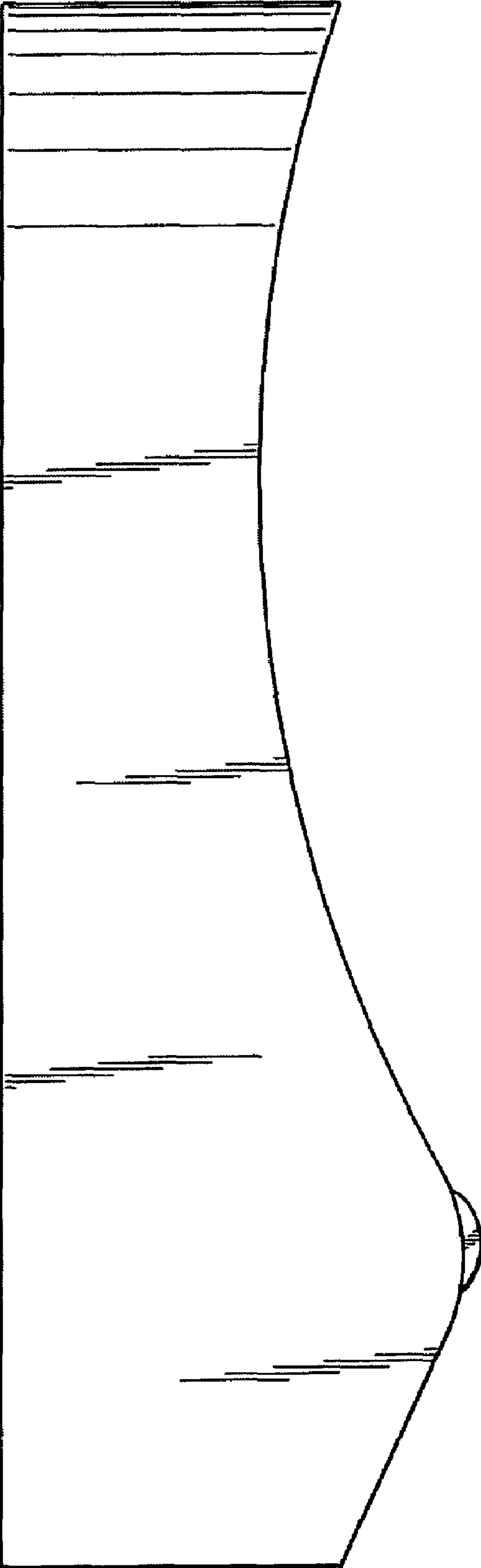


FIG. 5

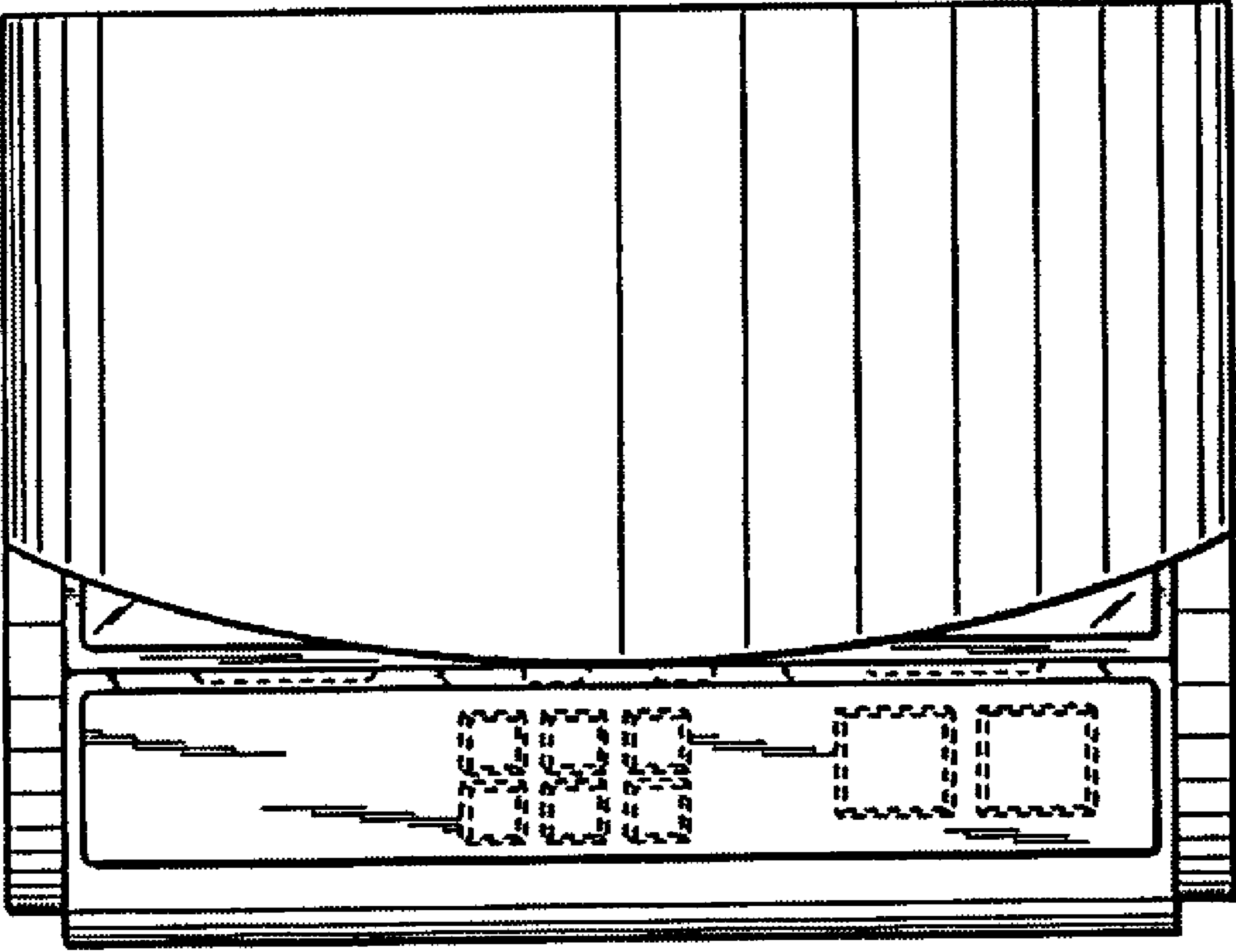


FIG. 6

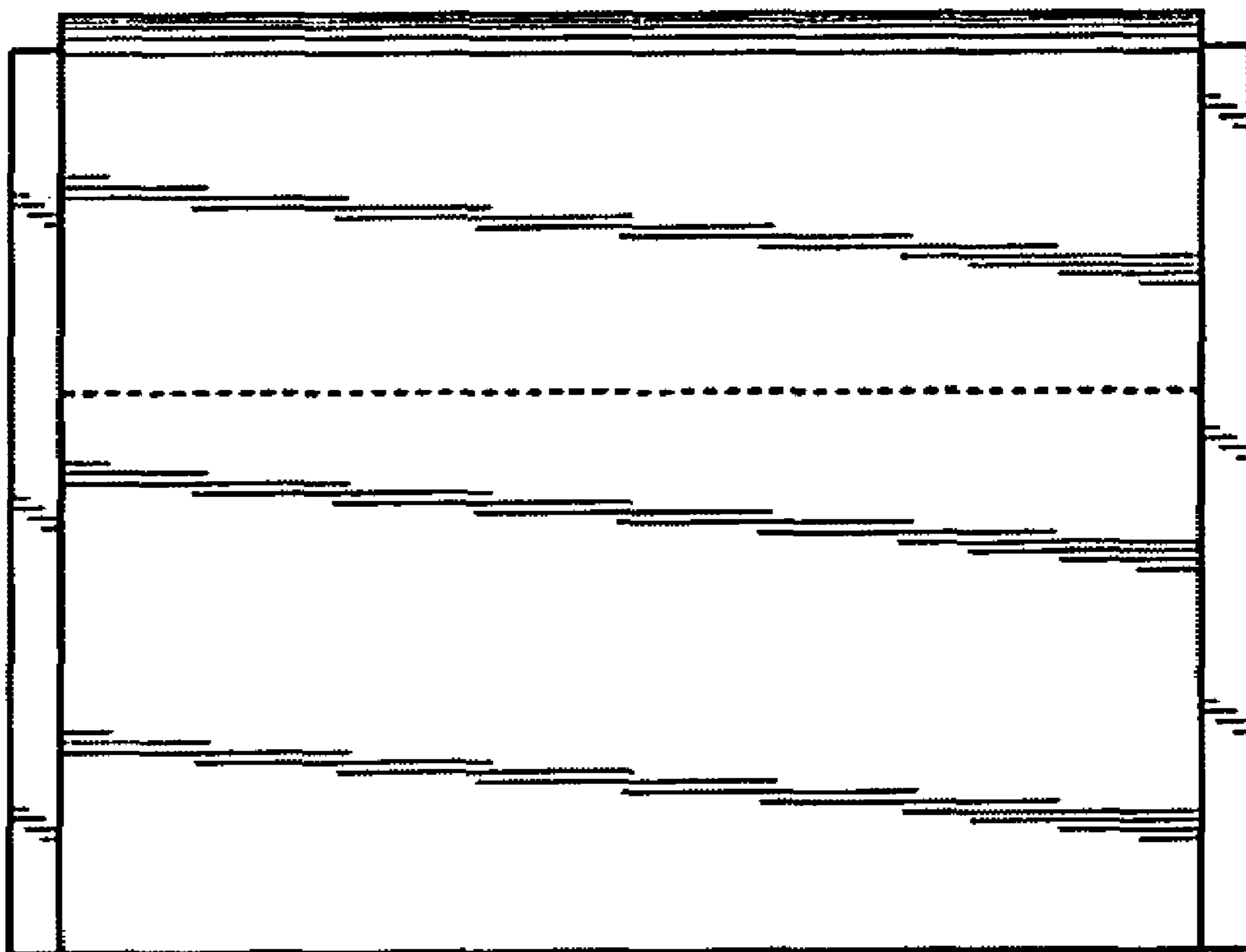
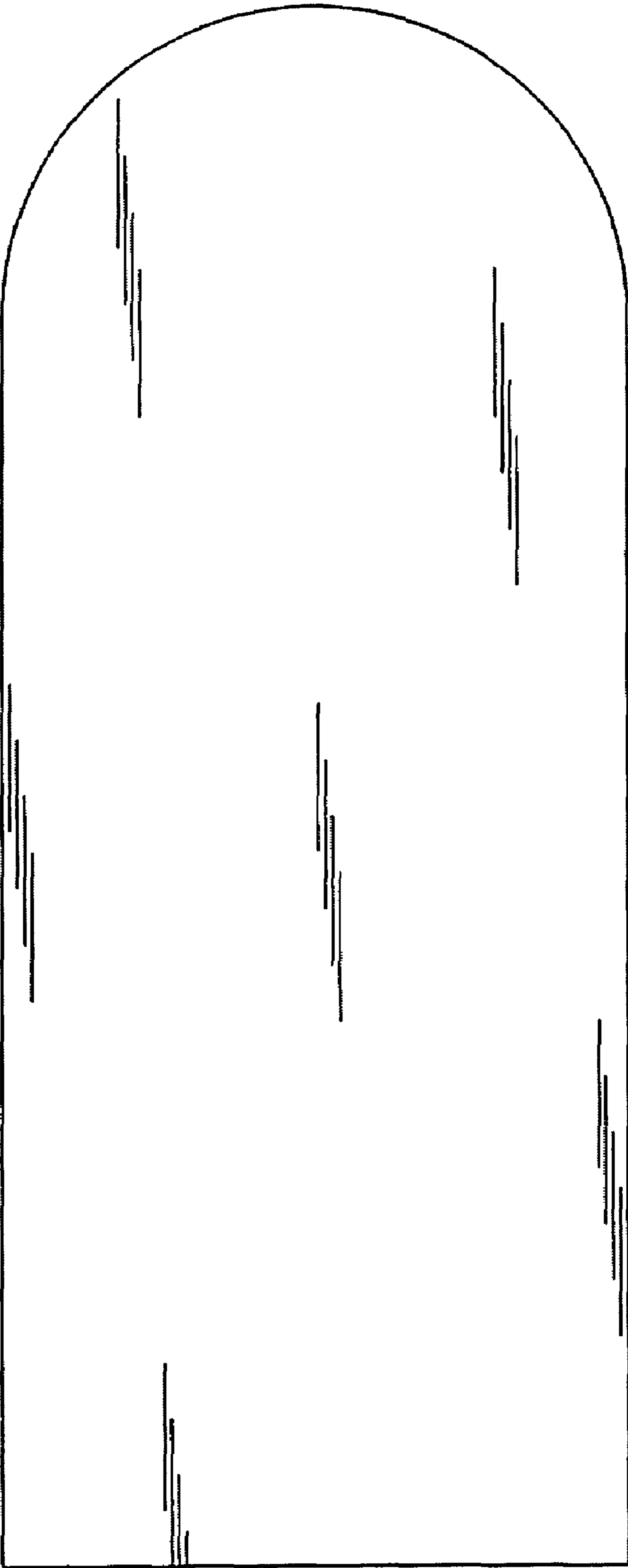


FIG. 7



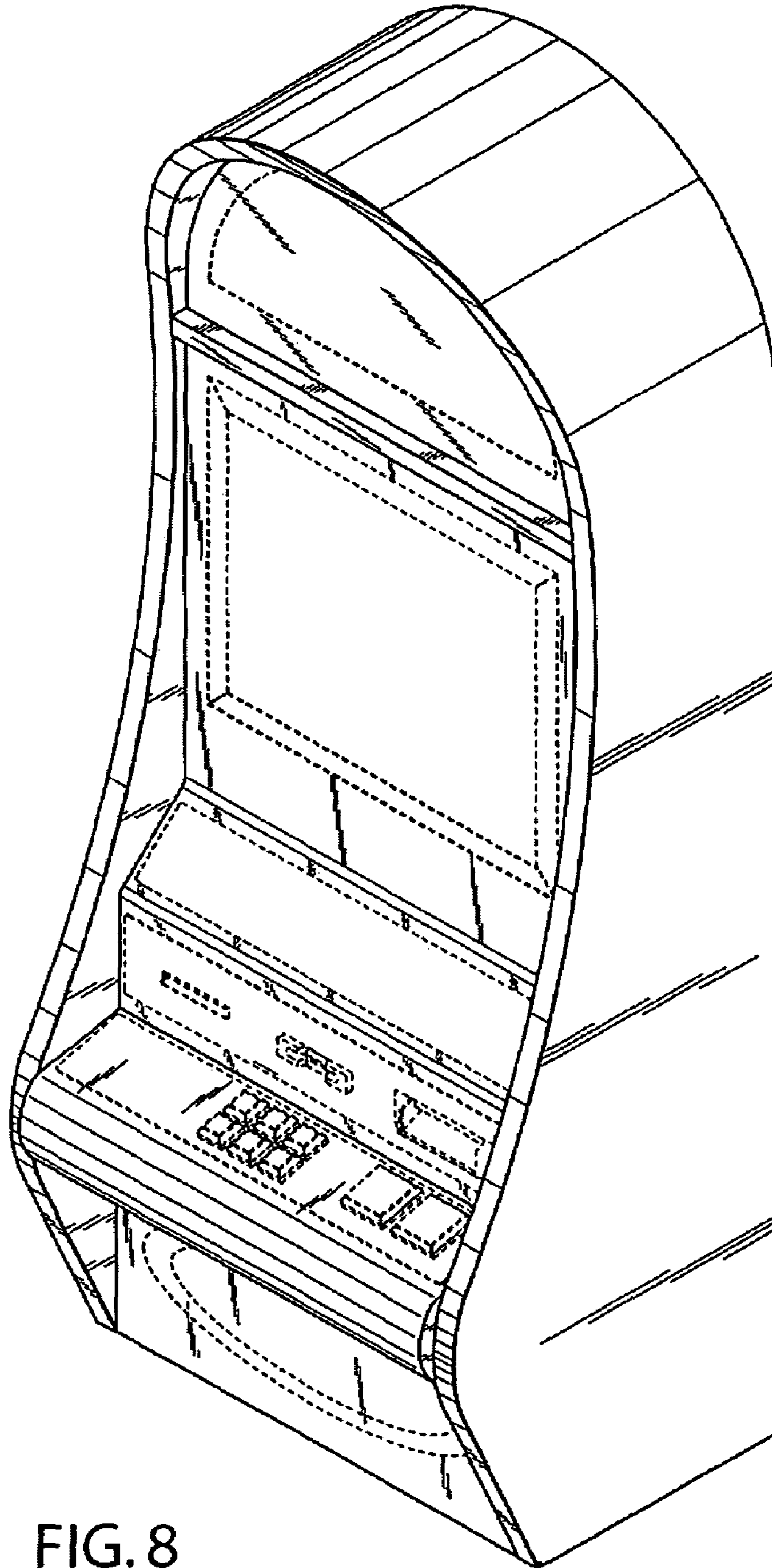


FIG. 8

FIG. 9

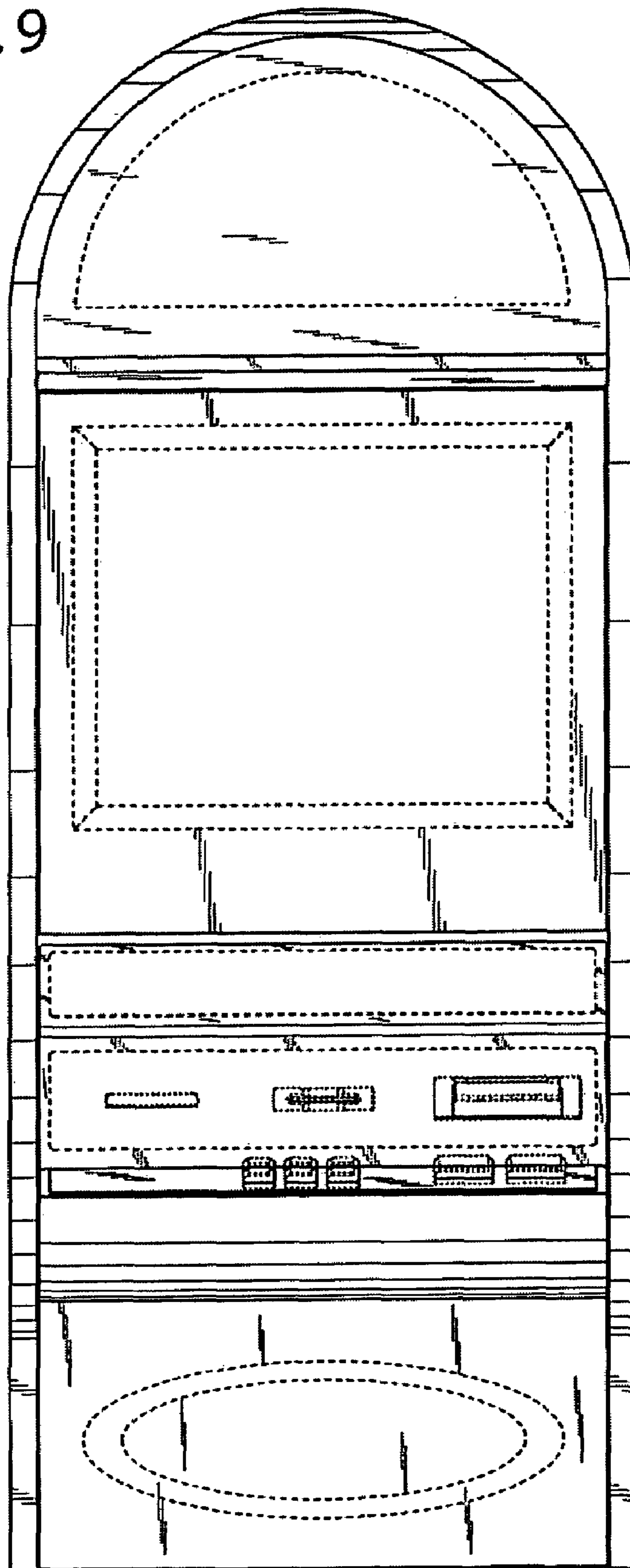


FIG. 10

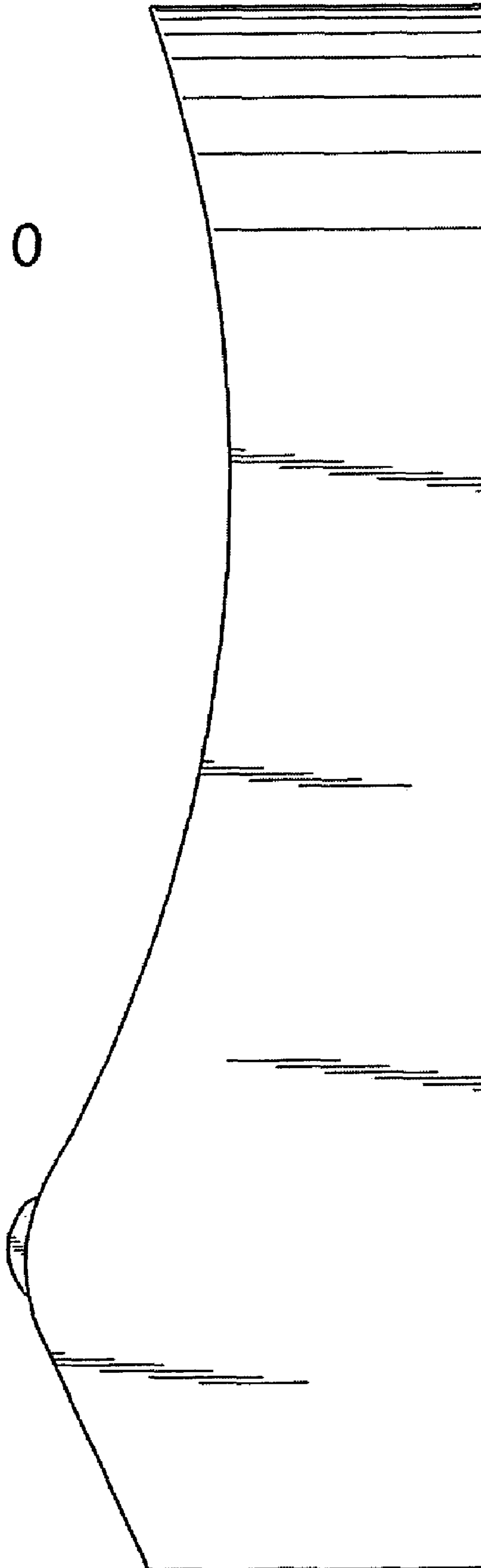


FIG. 11

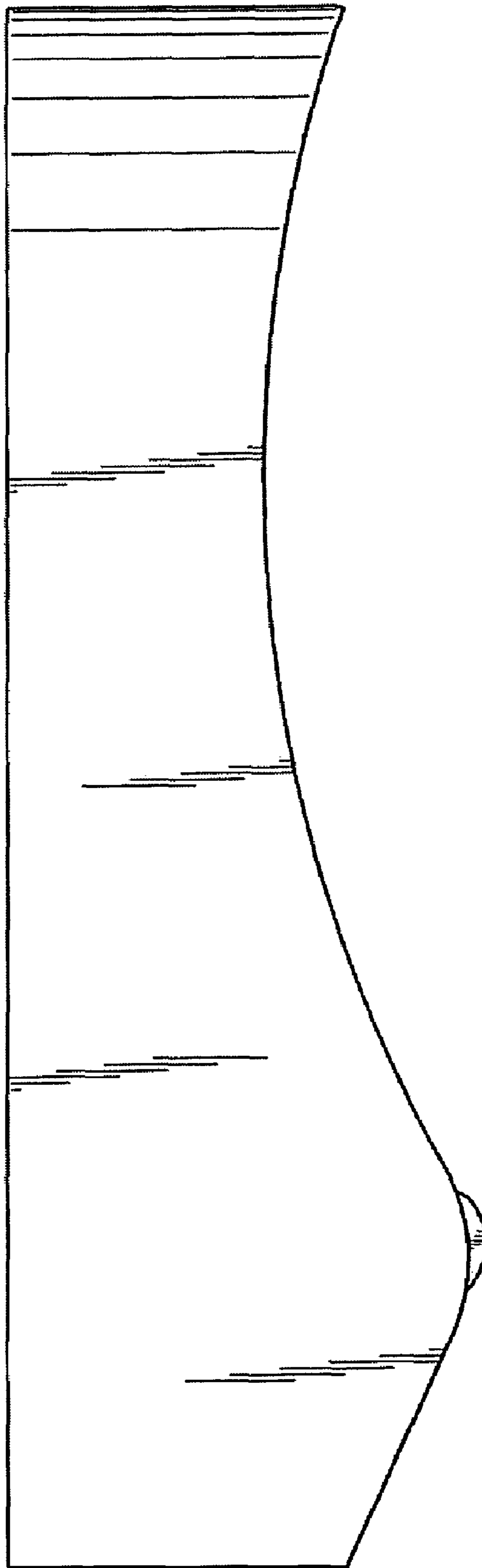


FIG. 12

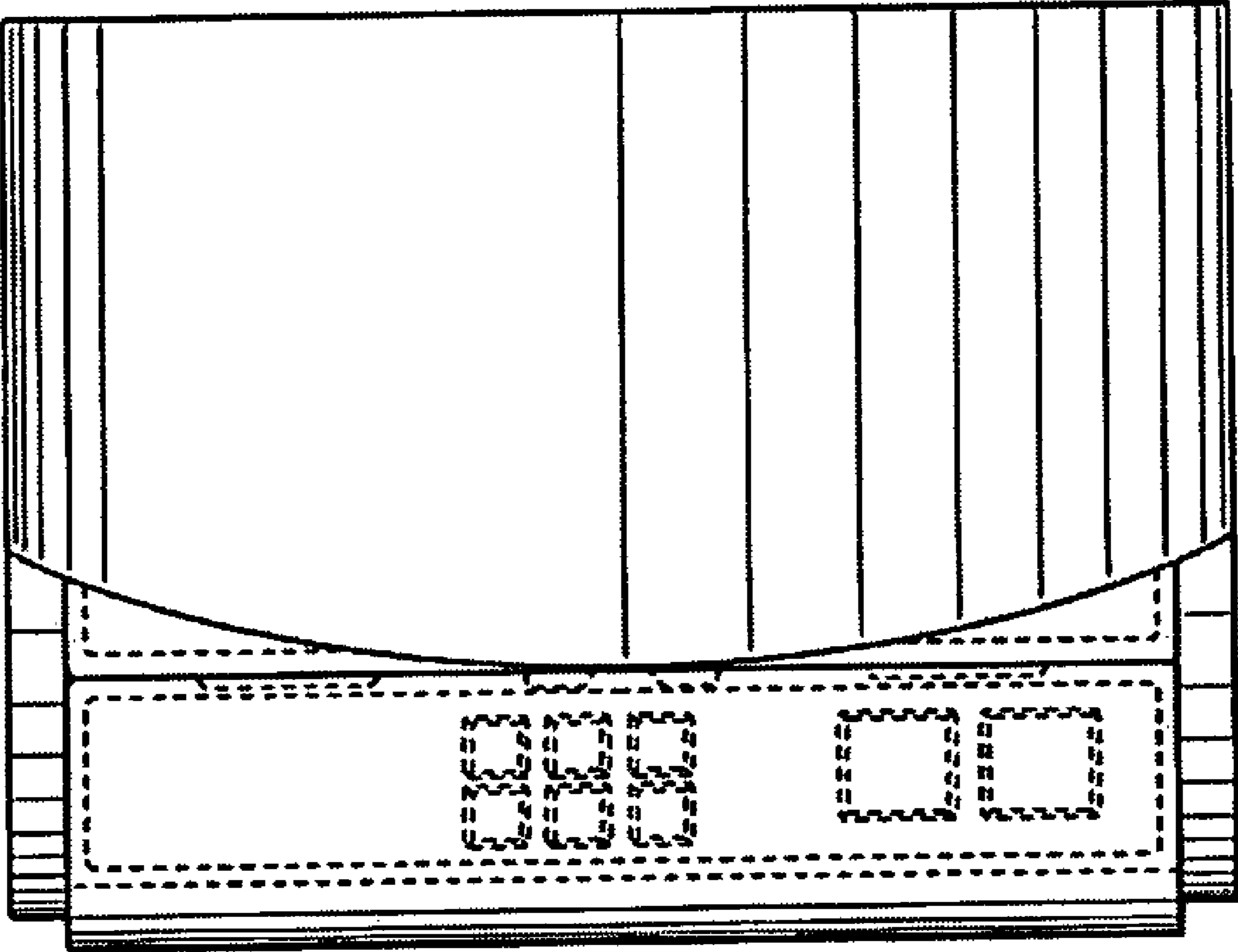


FIG. 13

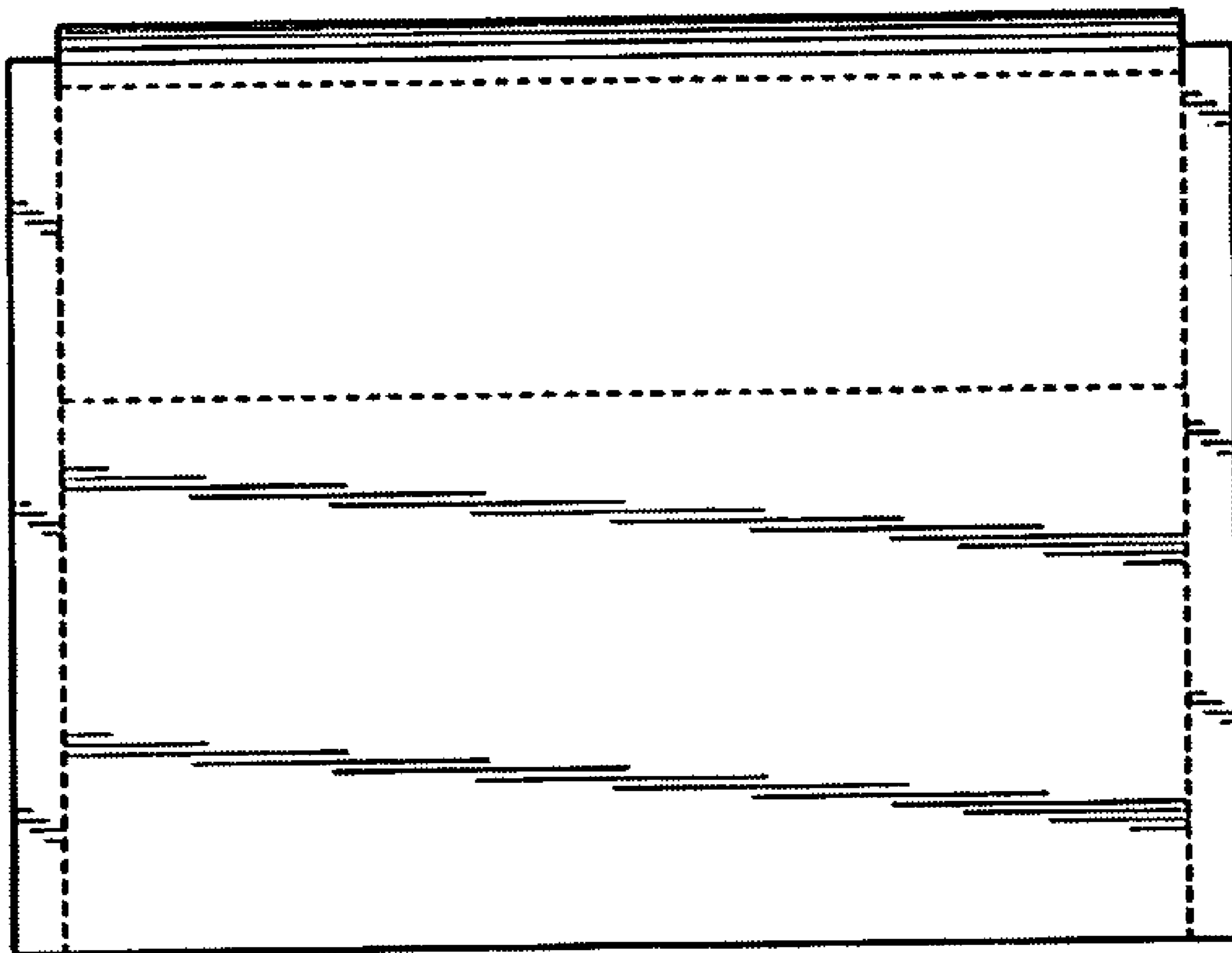


FIG. 14

