

US00D592707S

(12) **United States Design Patent**
Zarelius

(10) **Patent No.:** **US D592,707 S**

(45) **Date of Patent:** **** May 19, 2009**

(54) **RETRACTABLE BANNER STAND**

(75) Inventor: **Christer Zarelius**, Stockholm (SE)

(73) Assignee: **Expand International AB**, Stockholm (SE)

(**) Term: **14 Years**

(21) Appl. No.: **29/300,041**

(22) Filed: **Feb. 13, 2008**

(30) **Foreign Application Priority Data**

Sep. 3, 2007 (EM) 000782859-0002

(51) **LOC (9) Cl.** **20-03**

(52) **U.S. Cl.** **D20/43**

(58) **Field of Classification Search** D20/10,
D20/19, 21, 40-43, 99; 40/107, 112, 116,
40/117, 120, 347-350, 355, 471, 506, 507,
40/514, 518, 519, 538, 603, 604, 606.01,
40/606.03, 661; D19/89, 90; 283/56; 362/221
See application file for complete search history.

(56) **References Cited**

U.S. PATENT DOCUMENTS

D468,362 S * 1/2003 Zarelius D20/99

6,571,496 B2 * 6/2003 Zarelius 40/514
6,755,551 B2 * 6/2004 Soorus et al. 362/221
D552,181 S * 10/2007 Spennare D20/41
D562,909 S * 2/2008 Meijer D20/43
2002/0050083 A1 * 5/2002 Zarelius 40/514

* cited by examiner

Primary Examiner—Janice E Seeger

Assistant Examiner—Mary Ann Calabrese

(74) *Attorney, Agent, or Firm*—Ohlandt, Greeley, Ruggiero & Perle, L.L.P.

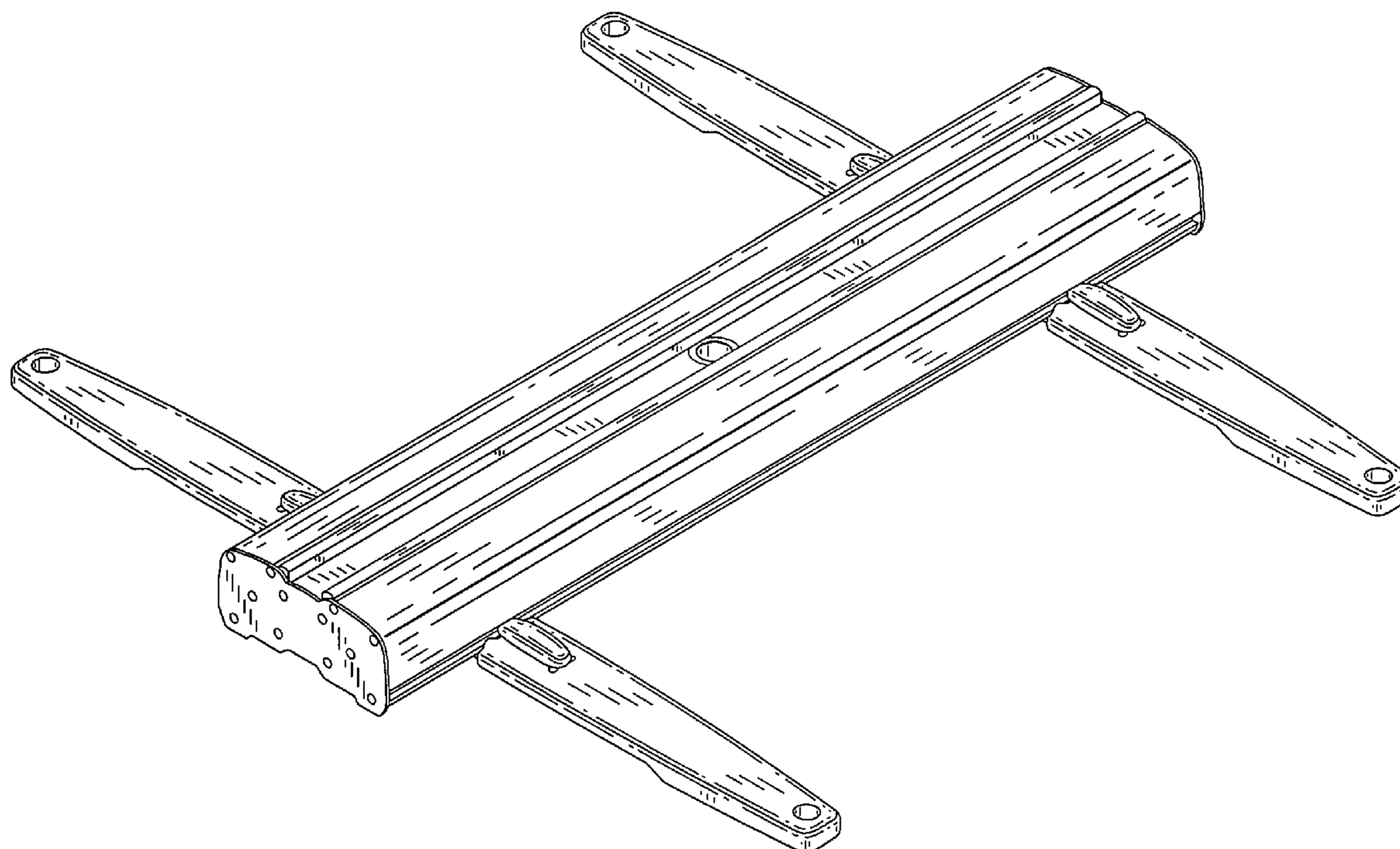
(57) **CLAIM**

The ornamental design for a “retractable banner stand,” as shown and described.

DESCRIPTION

FIG. 1 is a top perspective view of a retractable banner stand;
FIG. 2 is a front view thereof;
FIG. 3 is a back view thereof;
FIG. 4 is a left side view thereof;
FIG. 5 is a right side thereof;
FIG. 6 is a top view thereof; and,
FIG. 7 is a bottom view thereof.

1 Claim, 5 Drawing Sheets



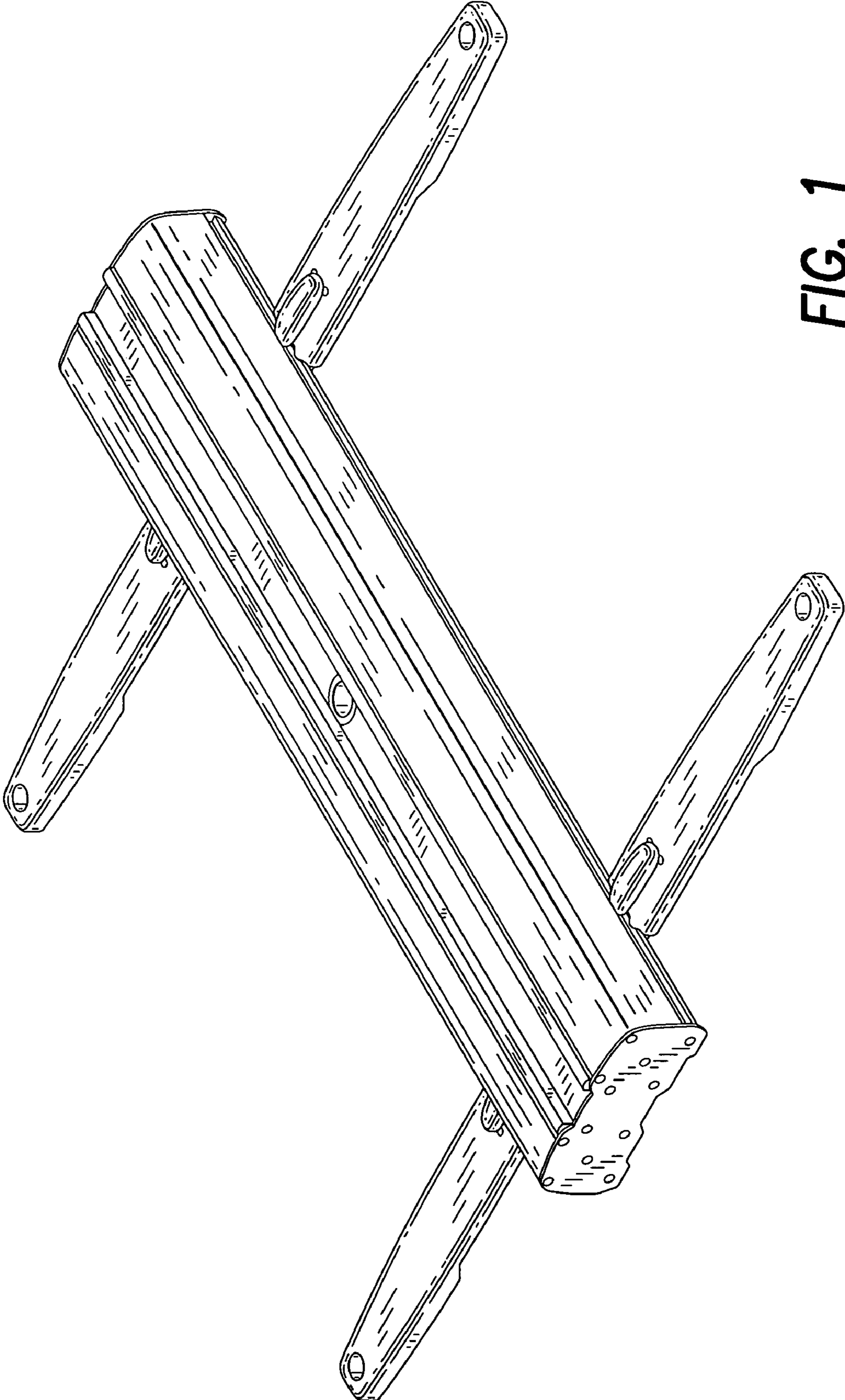


FIG. 1



FIG. 2

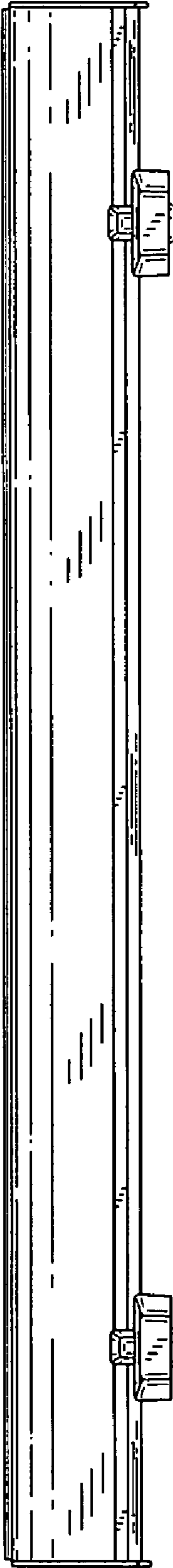


FIG. 3

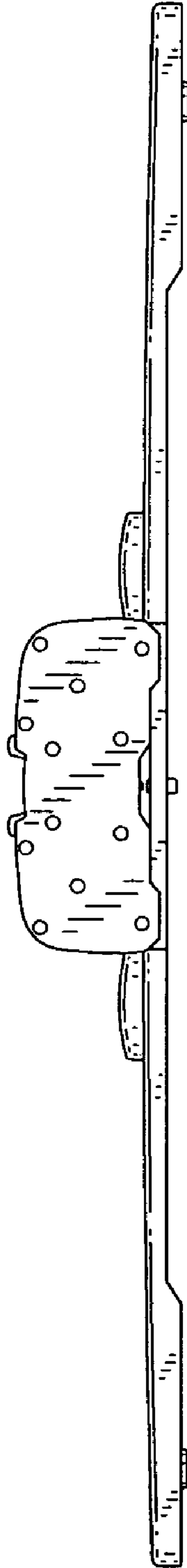


FIG. 4

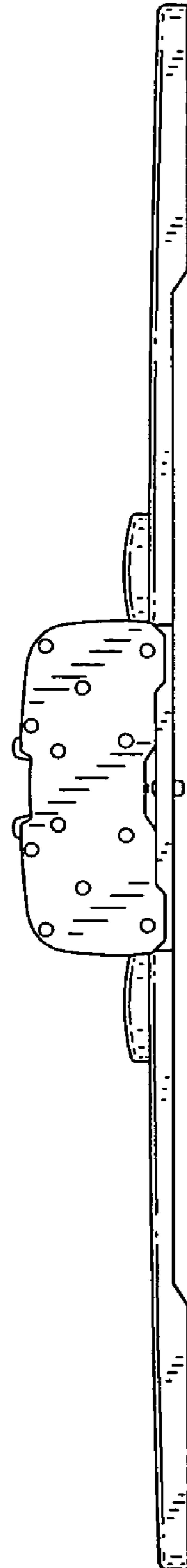


FIG. 5

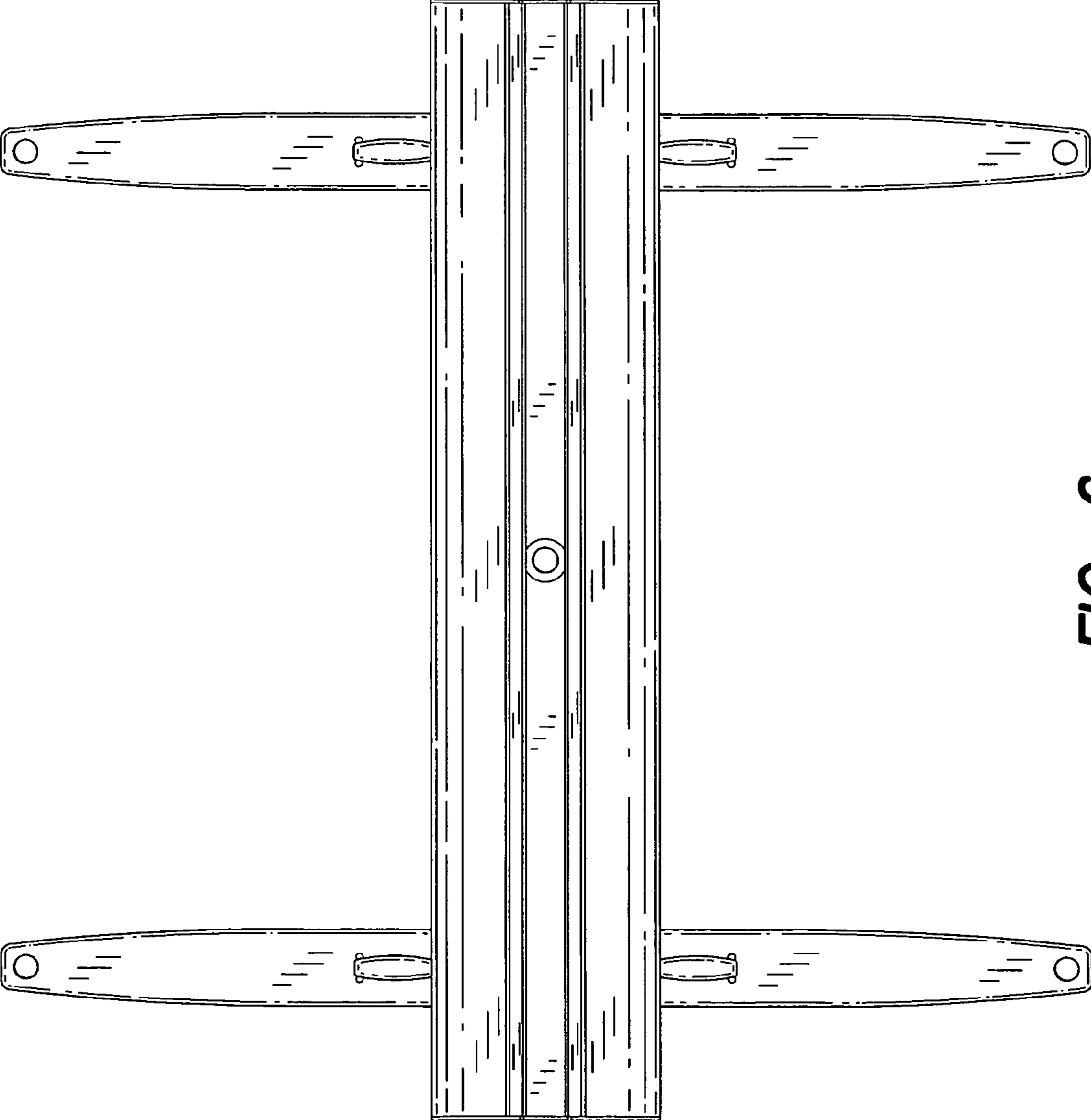


FIG. 6

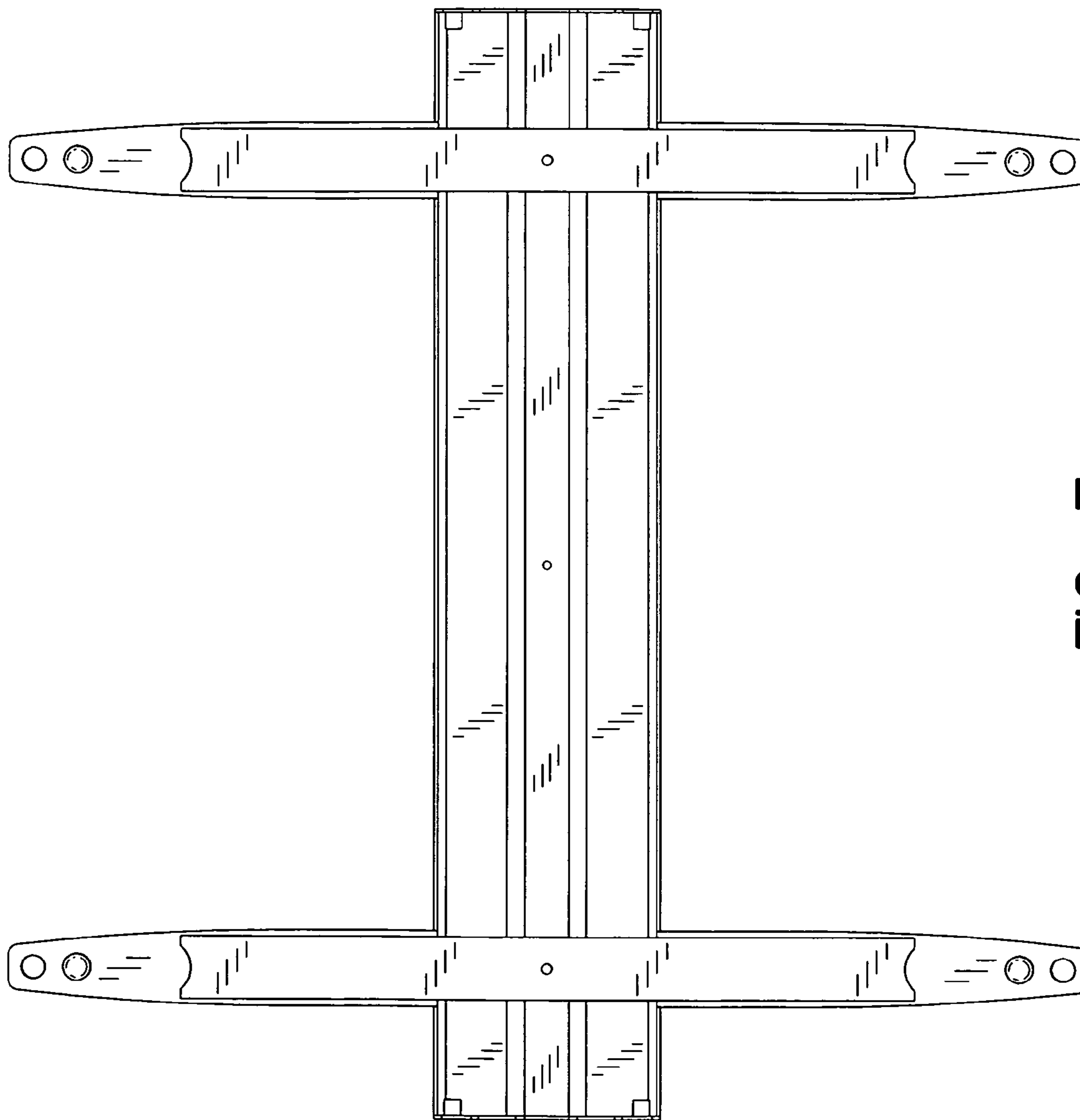


FIG. 7