



US00D592703S

(12) **United States Design Patent**
Graham

(10) **Patent No.:** **US D592,703 S**

(45) **Date of Patent:** **** May 19, 2009**

(54) **PENCIL SUPPORT**

D416,383 S * 11/1999 Downing D3/206
D459,977 S * 7/2002 Byrnes et al. D8/357

(76) Inventor: **Timothy T. Graham**, 3798 Golden
Meadow Rd., Asheboro, NC (US) 27205

(Continued)

(**) Term: **14 Years**

OTHER PUBLICATIONS

(21) Appl. No.: **29/312,958**

Two (2) pages printed from the website www.pencilthings.com ;
dated Feb. 20, 2007; showing various pencil clips and pulls.

(22) Filed: **Nov. 25, 2008**

(Continued)

Related U.S. Application Data

Primary Examiner—Elizabeth A Albert
Assistant Examiner—Kelley A Donnelly

(63) Continuation-in-part of application No. 29/273,628,
filed on Mar. 9, 2007, now abandoned.

(57) **CLAIM**

(51) **LOC (9) Cl.** **19-06**

The ornamental design for a new, original and ornamental
design for a pencil support, as shown and described.

(52) **U.S. Cl.** **D19/81**

(58) **Field of Classification Search** D19/54–55,
D19/65, 75, 77–78, 81, 84–85, 95, 99–100;
206/214; 248/316.7, 205.3, 65; 211/69.1,
211/69.9, 69; D8/70–71, 396; 24/11 CC
See application file for complete search history.

DESCRIPTION

(56) **References Cited**

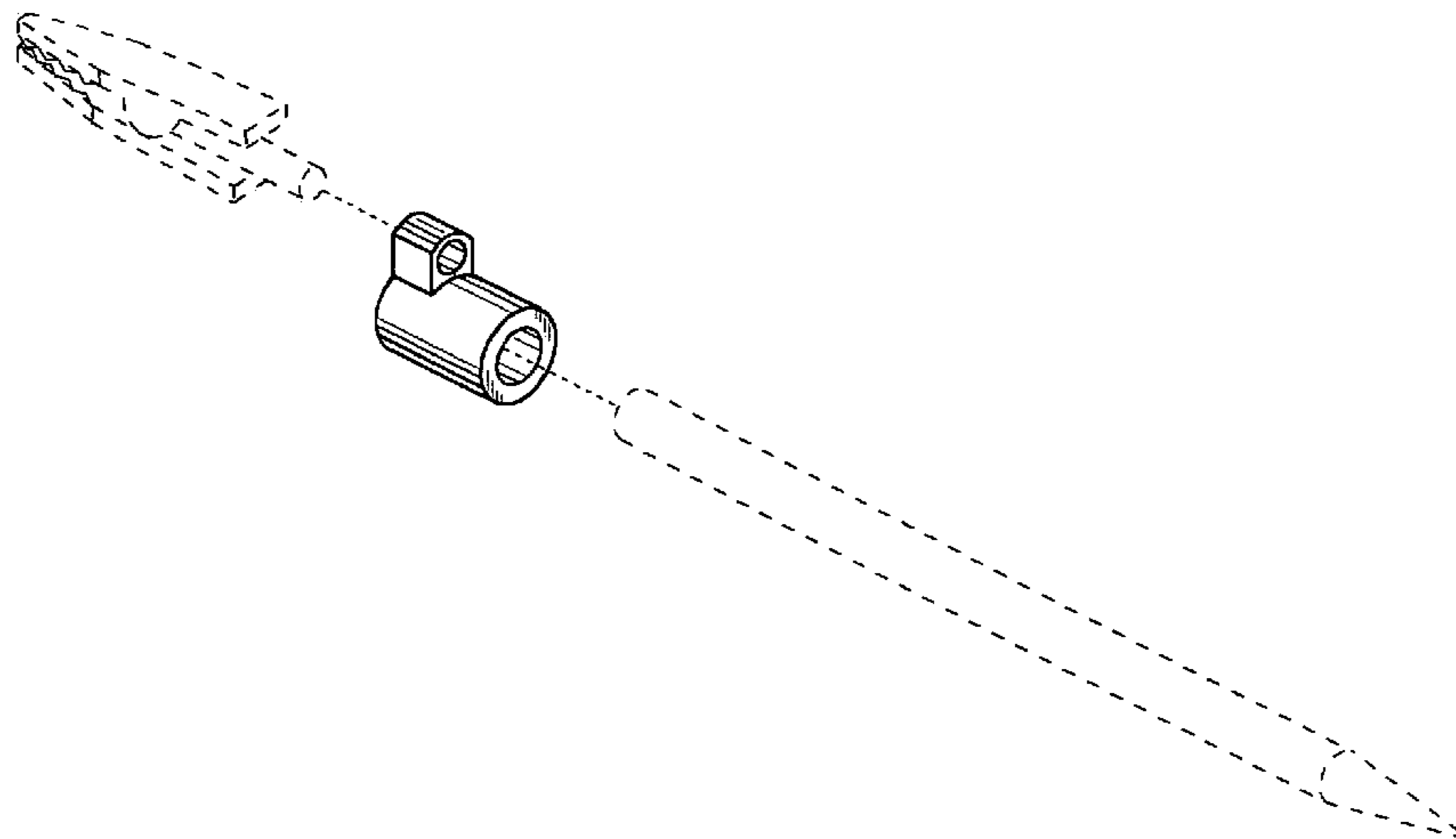
U.S. PATENT DOCUMENTS

- 1,647,093 A * 10/1927 Hauton 24/11 F
- 2,861,388 A * 11/1958 Favaretto 446/124
- 3,374,917 A * 3/1968 Troy 220/23.4
- D231,407 S * 4/1974 Leedy D19/77
- D231,638 S * 5/1974 Leedy D19/77
- D231,787 S * 6/1974 Burnley D30/107
- D272,167 S * 1/1984 Chatani et al. D21/499
- D292,622 S * 11/1987 Meyers et al. D27/136
- 4,744,780 A * 5/1988 Volpe 446/128
- D296,342 S * 6/1988 Knudsen D21/499
- D314,793 S * 2/1991 Lockwood et al. D19/84
- D328,920 S * 8/1992 Kimball D19/55
- D328,929 S * 8/1992 Jarnros D21/503
- 5,140,723 A * 8/1992 Genzel 24/10 R
- D332,168 S * 12/1992 Yu D99/36
- D344,880 S * 3/1994 Salas, Jr. D8/70
- D346,627 S * 5/1994 Bach D21/501
- 5,702,009 A * 12/1997 Ouellet et al. 211/74
- 5,820,095 A * 10/1998 Stone 248/316.7

FIG. 1 is a top, front, left side reduced perspective view of a pencil support embodying my design;
 FIG. 2 is a front elevational view thereof;
 FIG. 3 is a rear elevational view thereof;
 FIG. 4 is a left side elevational view thereof, the right side elevational view being a mirror image thereof;
 FIG. 5 is a top plan view thereof;
 FIG. 6 is a bottom plan view thereof;
 FIG. 7 is a top, front, left side reduced perspective view of an alternate embodiment of my design;
 FIG. 8 is a front elevational view thereof;
 FIG. 9 is a rear elevational view thereof;
 FIG. 10 is a left side elevational view thereof, the right side elevational view being a mirror image thereof;
 FIG. 11 is a top plan view thereof; and,
 FIG. 12 is a bottom plan view thereof.

The broken lines are for environmental purposes only and form no part of the claimed design.

1 Claim, 2 Drawing Sheets



US D592,703 S

Page 2

U.S. PATENT DOCUMENTS

D472,729 S * 4/2003 Udommahuntisuk D6/407
D473,396 S * 4/2003 Ong D6/407
6,572,057 B1 * 6/2003 Roth 248/58
6,592,092 B2 * 7/2003 Stahlberg 248/311.3
D483,200 S * 12/2003 Udommahuntisuk D6/407
D499,764 S * 12/2004 Arnold D19/84
D503,430 S * 3/2005 Chang D19/83
D510,857 S * 10/2005 Minor et al. D8/396
D522,348 S * 6/2006 Hansen D8/354
D522,915 S * 6/2006 Bruckler D11/182
D528,869 S * 9/2006 VanHook D7/619.1
7,137,151 B2 * 11/2006 Keech 2/209.13
D548,880 S * 8/2007 Leeds et al. D27/136
D573,652 S * 7/2008 Esfahani D19/81
D574,862 S * 8/2008 Reilly D15/133
2004/0237262 A1 * 12/2004 Arnone 24/10 R
2005/0074269 A1 * 4/2005 Asselin 401/131

OTHER PUBLICATIONS

One (1) page printed from the website www.pencilthings.com ; dated Feb. 20, 2007; showing “Pencil clips, Chrome, Fit Standard size pencils”.

One (1) page printed from the website www.pencilthings.com ; dated Feb. 20, 2007; showing “Pencil clips, Stick-on, Standard pencils”.

One (1) page printed from the website www.garrettspecialites.com ; dated Feb. 19, 2007; showing an ID tag/pencil clip.

One (1) page printed from the website www.sportys.com ; dated Feb. 19, 2007; showing a pencil clip/holder for a clipboard.

Two (2) pages printed from the website www.b3.net.com ; dated Feb. 19, 2007; showing Baumgarten’s Office and School supplies—Pencil Clips.

One (1) page printed from the internet entitled “Patentdata”; although undated this prior art was located during a search conducted Feb. 19-20, 2007; showing “Writing Pen Holder”.

One (1) page printed from the website www.office1000.com ; dated Feb. 19, 2007; showing “A&W Products”—“Pencil clips” and “Baumgartens”—“Pencil Clips”.

* cited by examiner

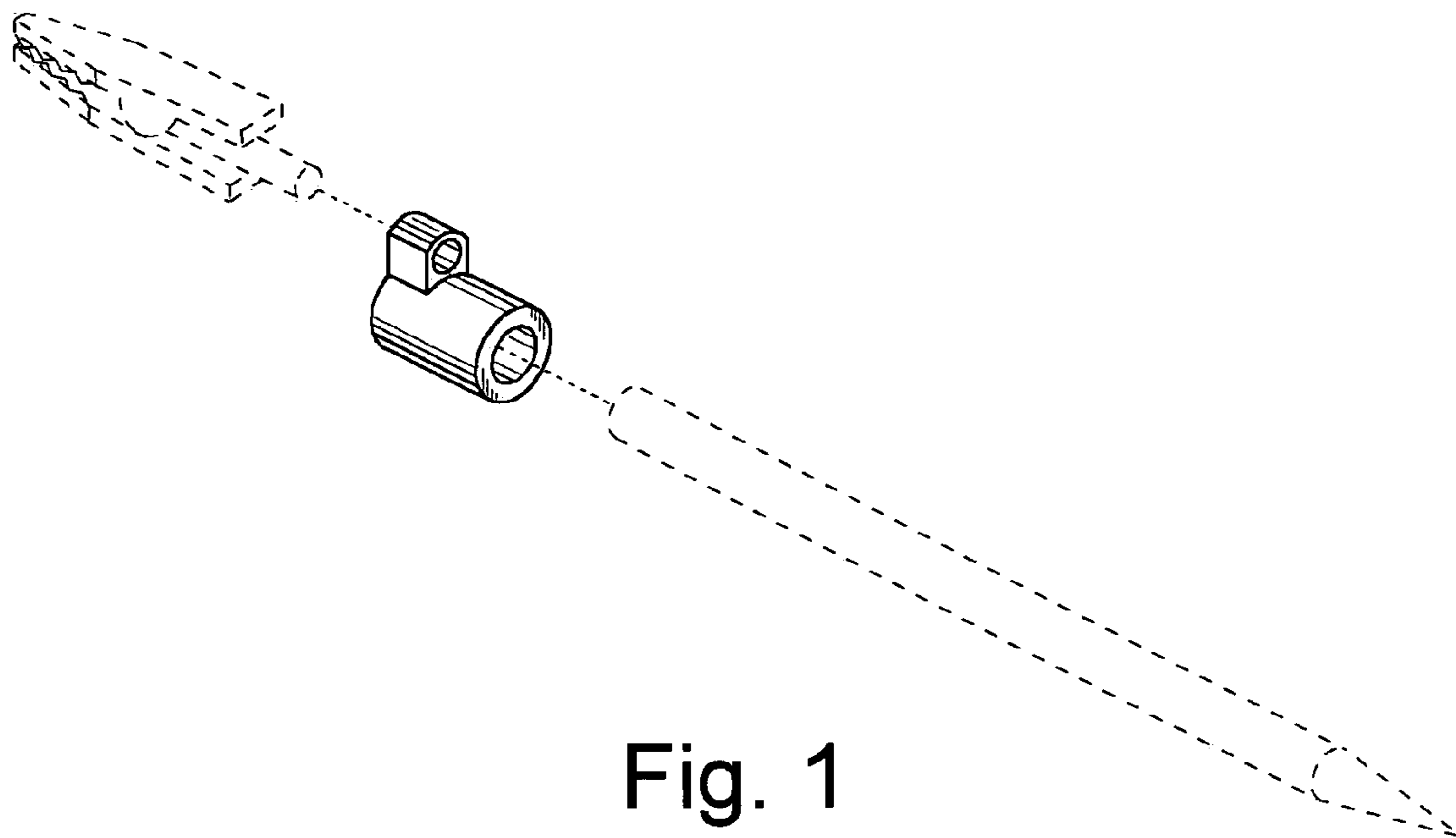


Fig. 1

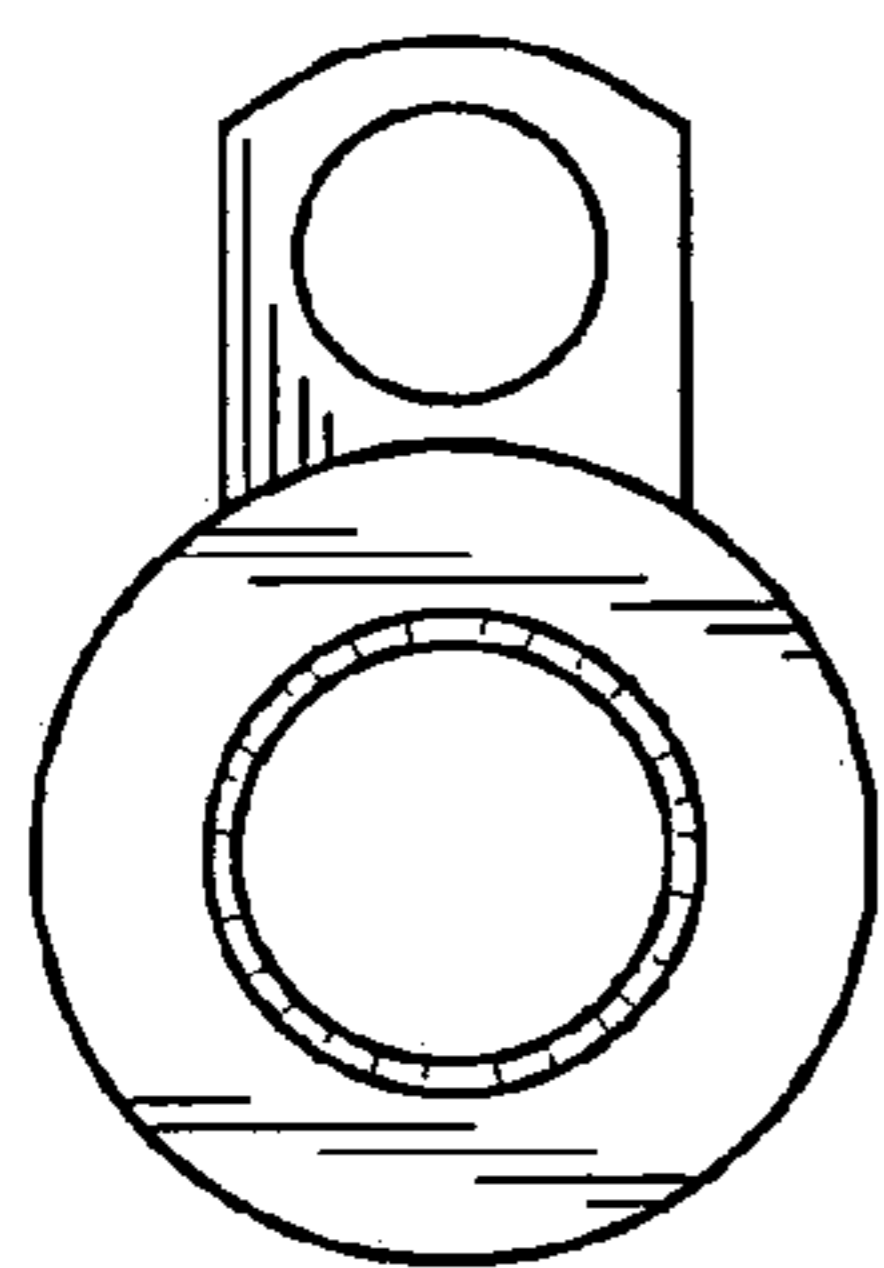


Fig. 2

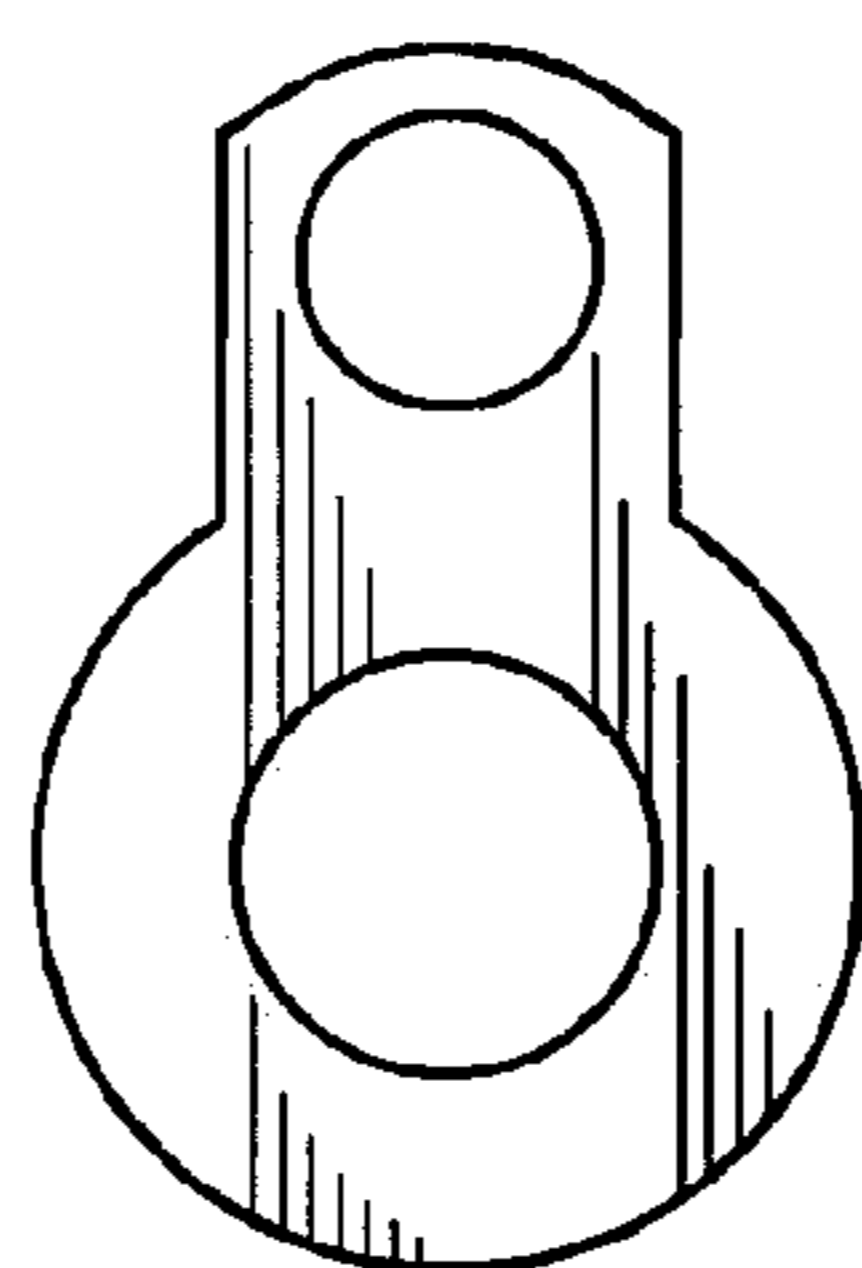


Fig. 3

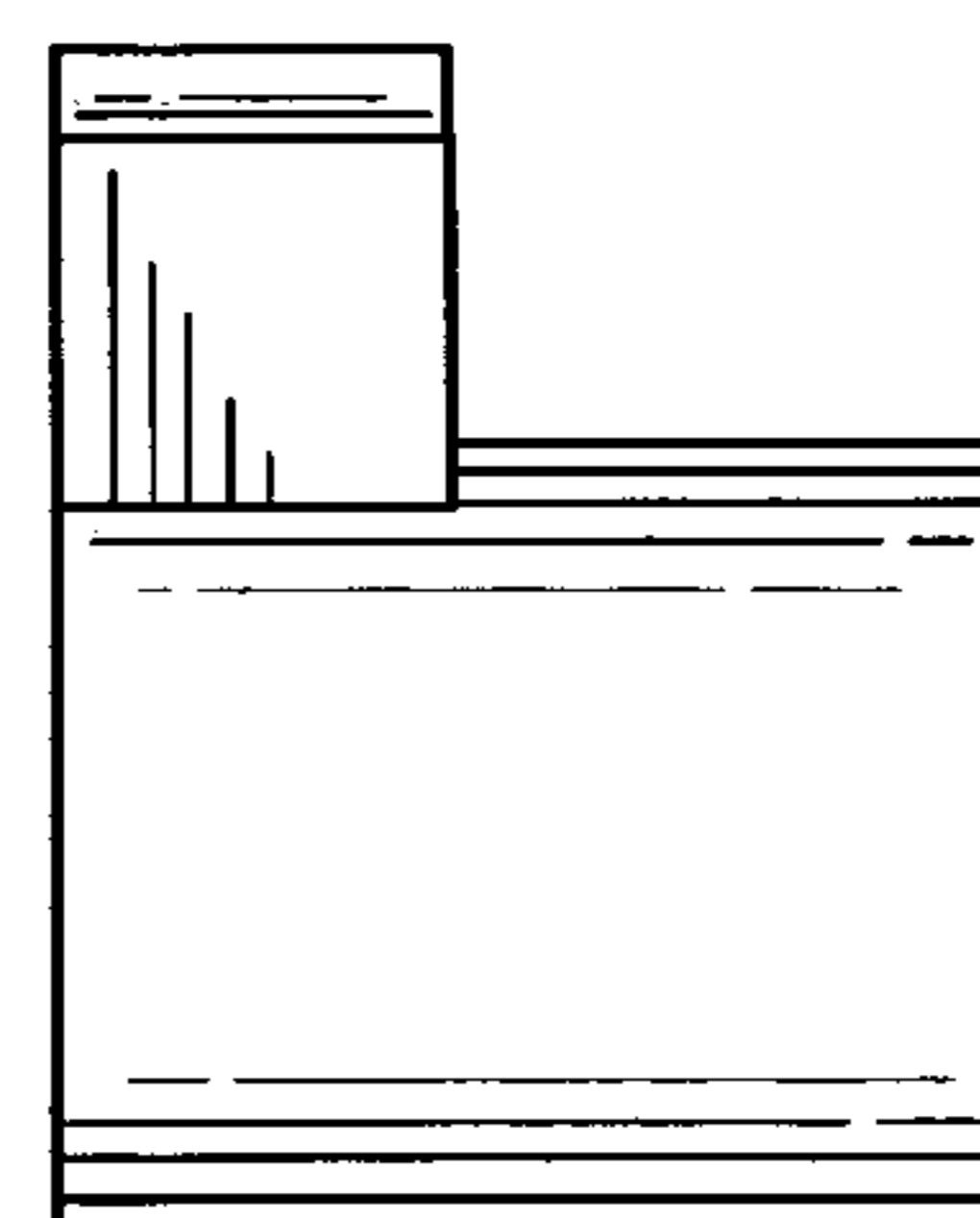


Fig. 4

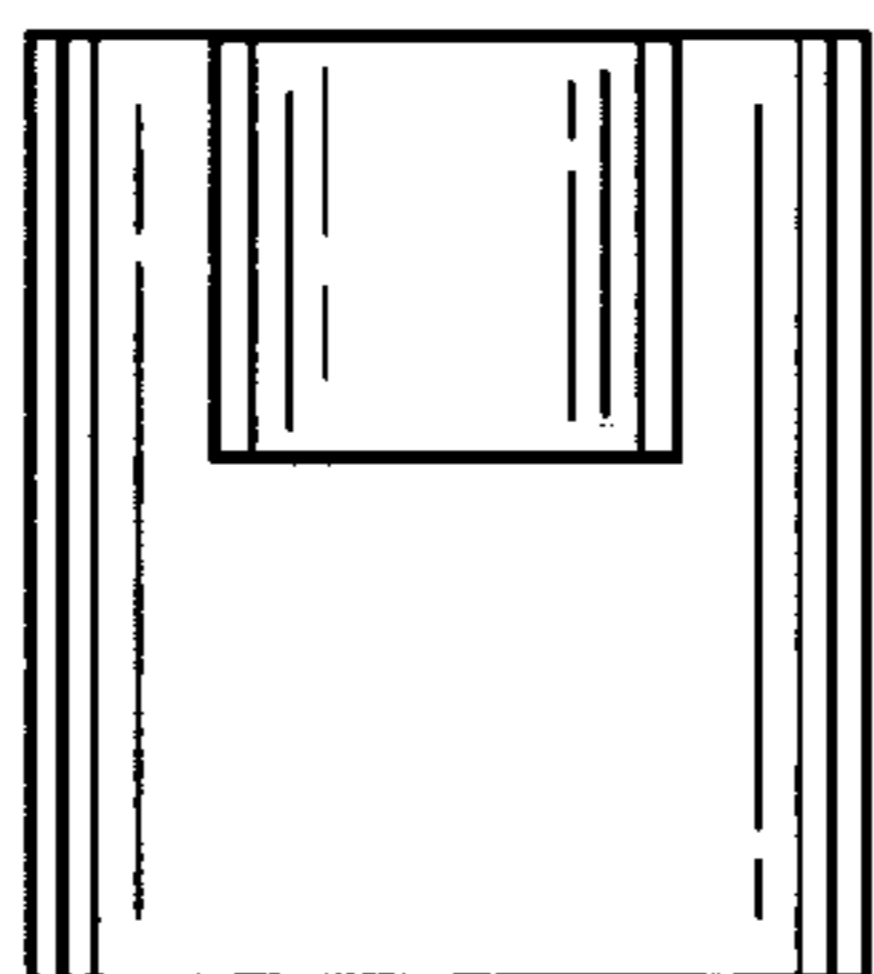


Fig. 5

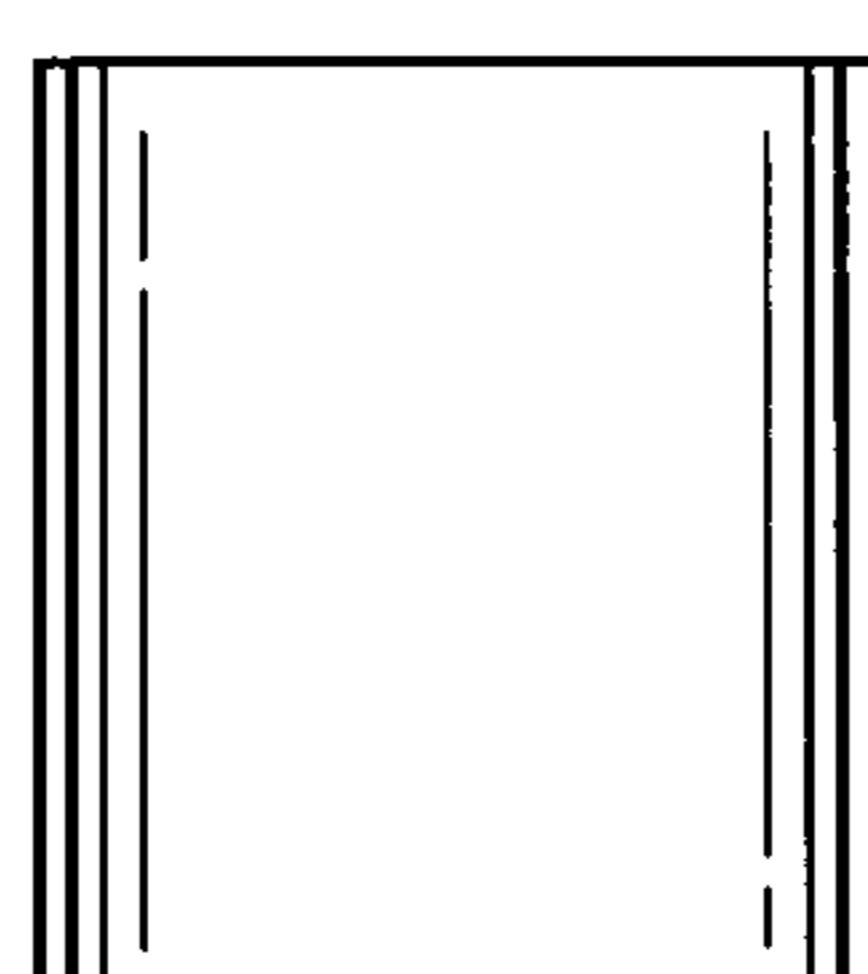


Fig. 6

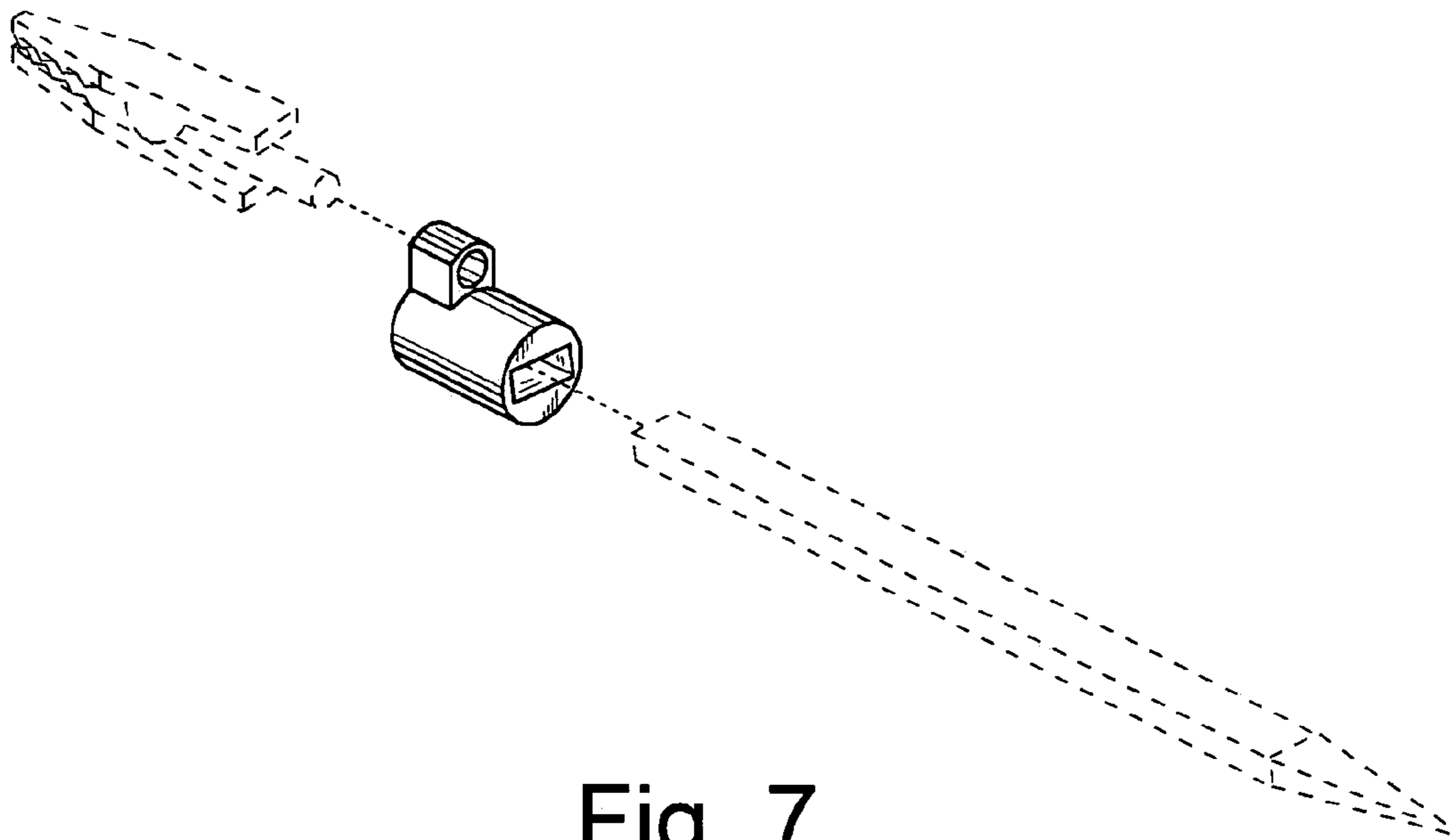


Fig. 7

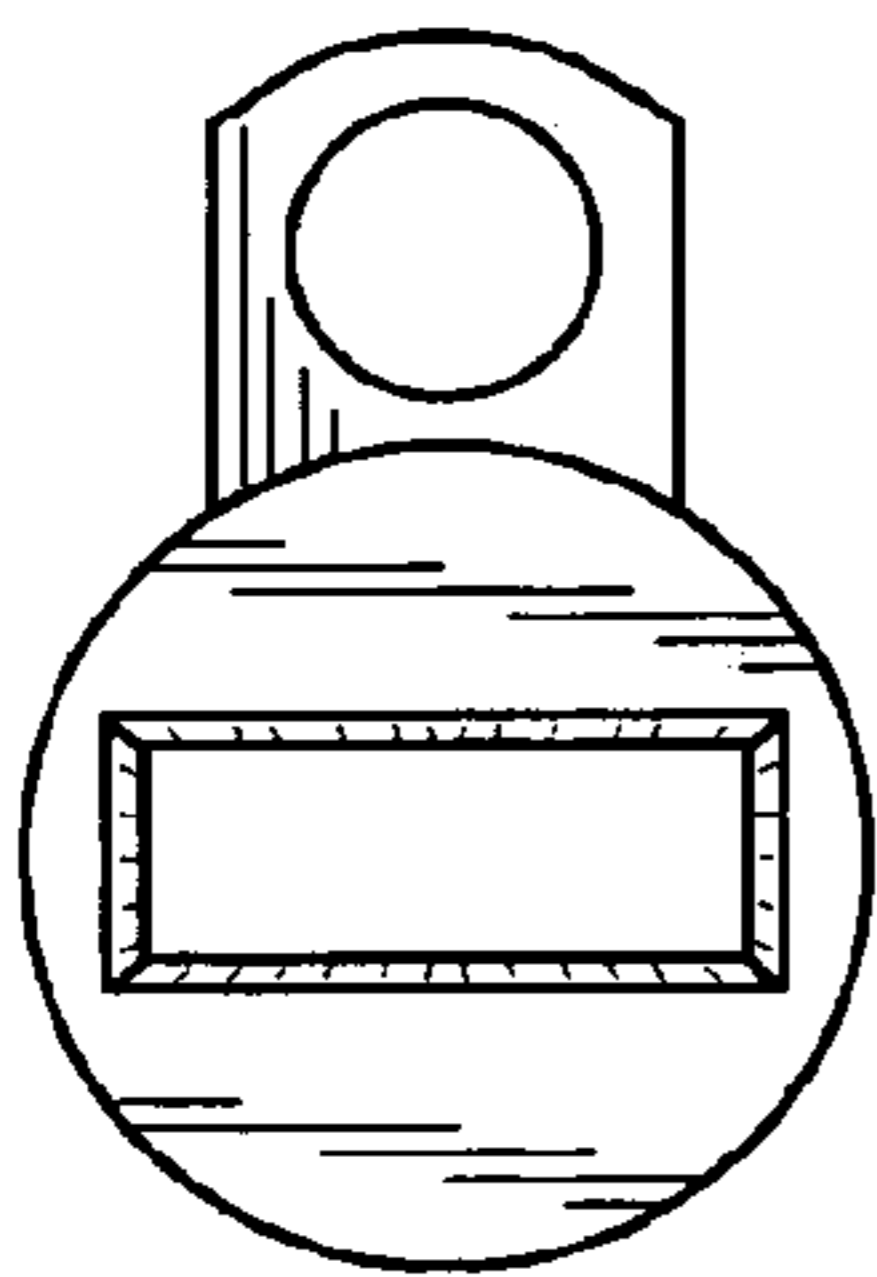


Fig. 8

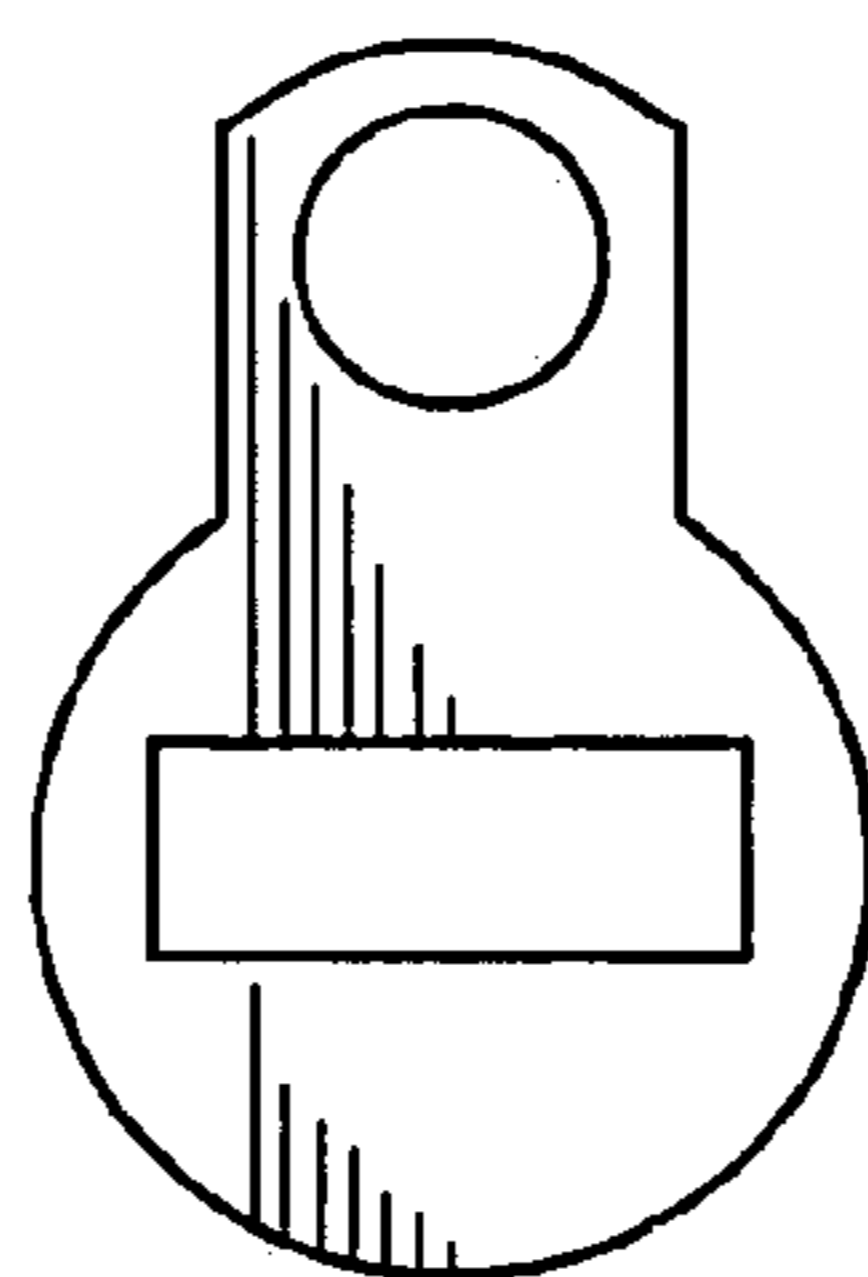


Fig. 9

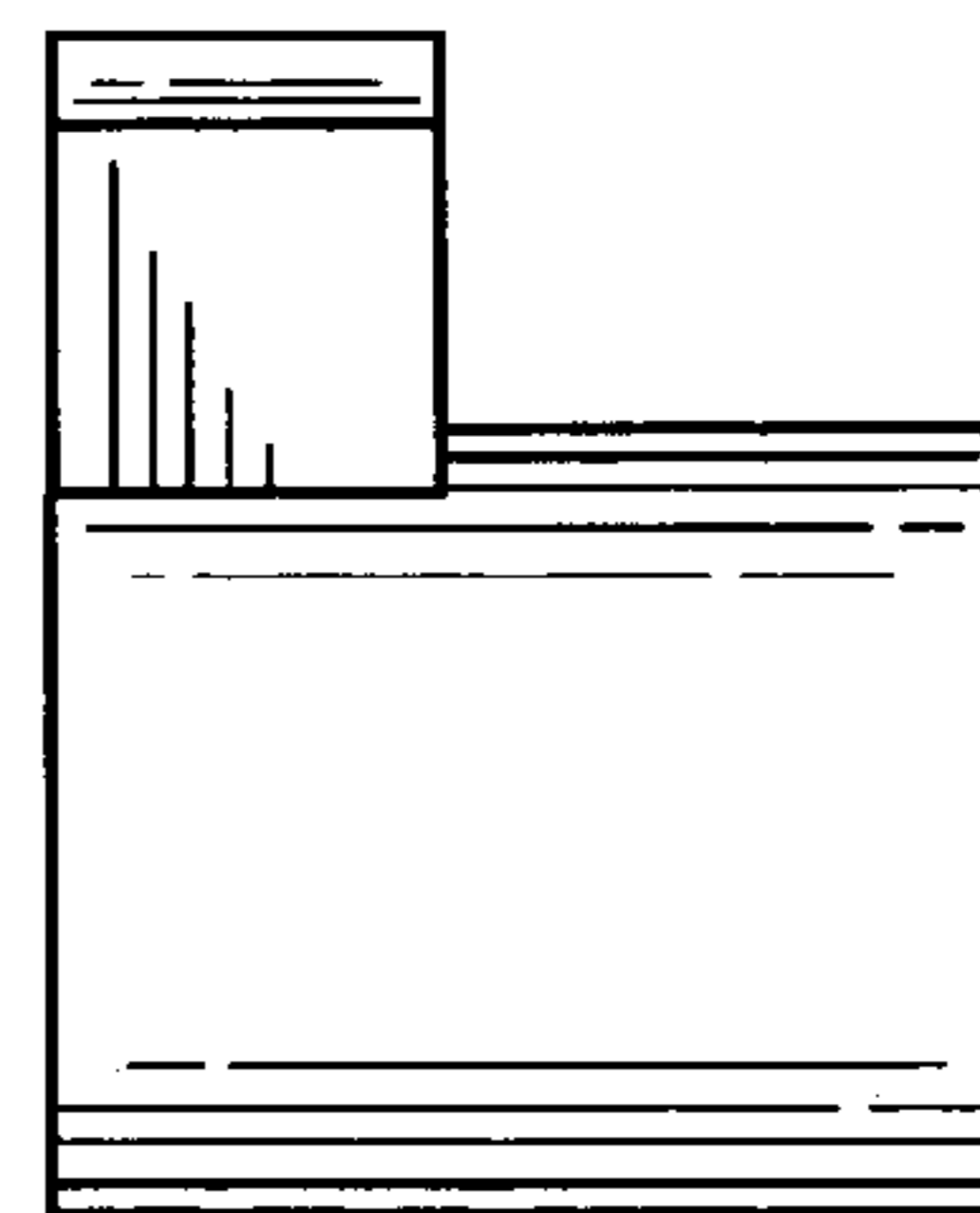


Fig. 10

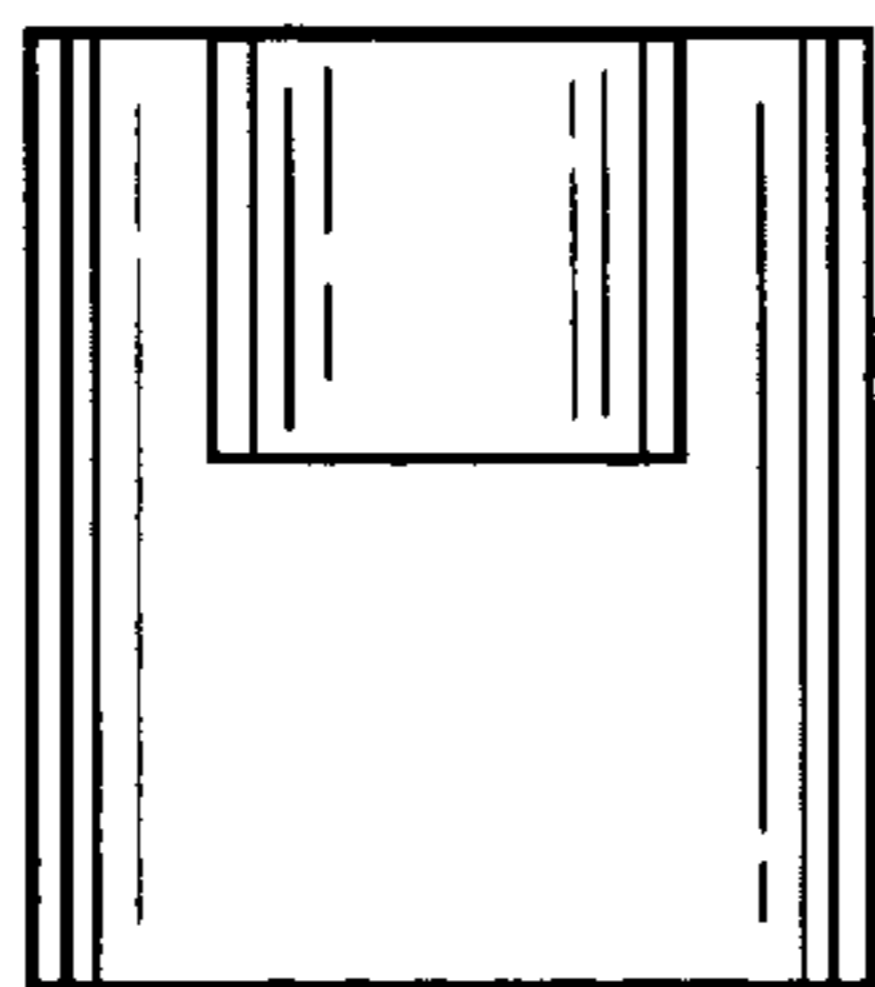


Fig. 11

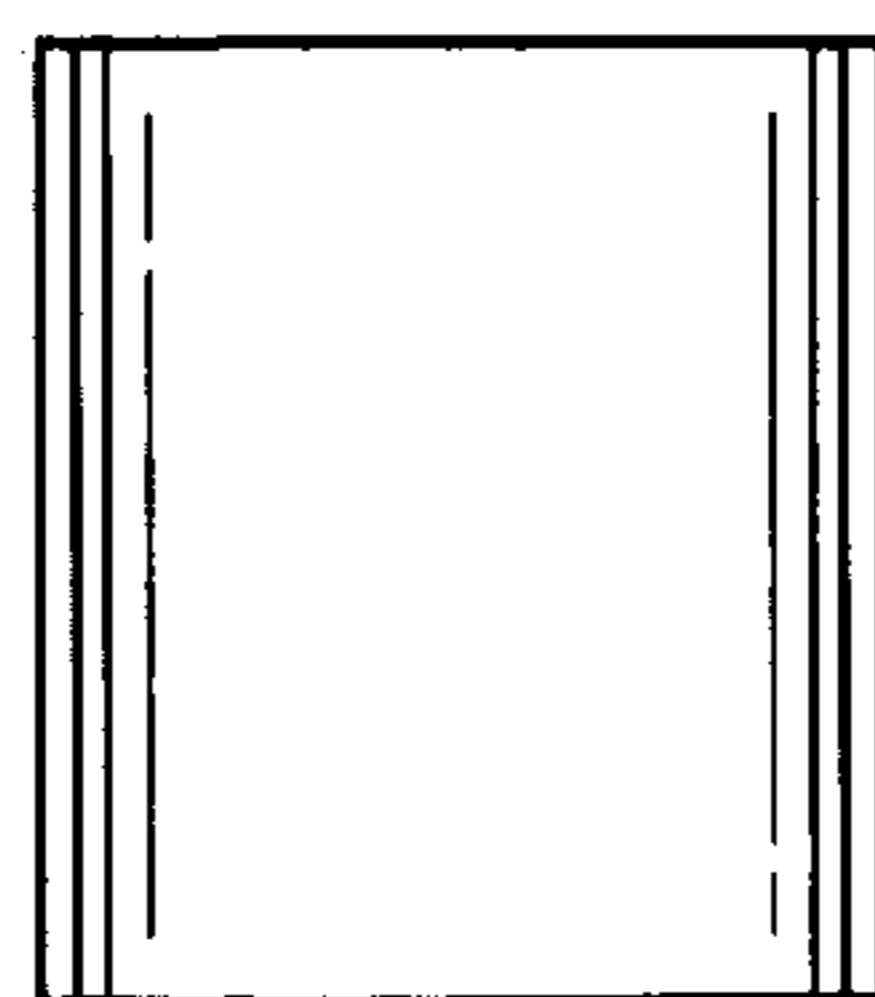


Fig. 12