



US00D592702S

(12) **United States Design Patent**
Kai et al.

(10) **Patent No.:** **US D592,702 S**

(45) **Date of Patent:** **** May 19, 2009**

(54) **CARTRIDGE FOR COATING FILM TRANSFER TOOL**

D559,912 S * 1/2008 Kai et al. D19/69

* cited by examiner

(75) Inventors: **Keiji Kai**, Osaka (JP); **Hideto Shima**, Yawata (JP)

Primary Examiner—Cathron C Brooks

Assistant Examiner—Austin Murphy

(74) *Attorney, Agent, or Firm*—Osha - Liang LLP

(73) Assignee: **Kokuyo Co., Ltd.**, Osaka (JP)

(57) **CLAIM**

(**) Term: **14 Years**

The ornamental design for a cartridge for coating film transfer tool, as shown and described.

(21) Appl. No.: **29/298,973**

(22) Filed: **Dec. 17, 2007**

DESCRIPTION

(30) **Foreign Application Priority Data**

Jun. 15, 2007 (JP) 2007-016032

FIG. 1 shows a front view of the design according to embodiments of the present invention.

FIG. 2 shows a rear view of the design according to embodiments of the present invention.

(51) **LOC (9) Cl.** **19-02**

(52) **U.S. Cl.** **D19/69**

(58) **Field of Classification Search** D19/66,
D19/67, 68, 69, 70; 156/523, 257, 540, 577;
206/411; 225/6, 25, 39, 77; 242/588, 588.1,
242/588.2, 588.3, 588.6

FIG. 3 shows a plan view of the design according to embodiments of the present invention.

FIG. 4 shows a bottom view of the design according to embodiments of the present invention.

See application file for complete search history.

FIG. 5 shows a right side view of the design according to embodiments of the present invention.

FIG. 6 shows a left side view of the design according to embodiments of the present invention.

(56) **References Cited**

U.S. PATENT DOCUMENTS

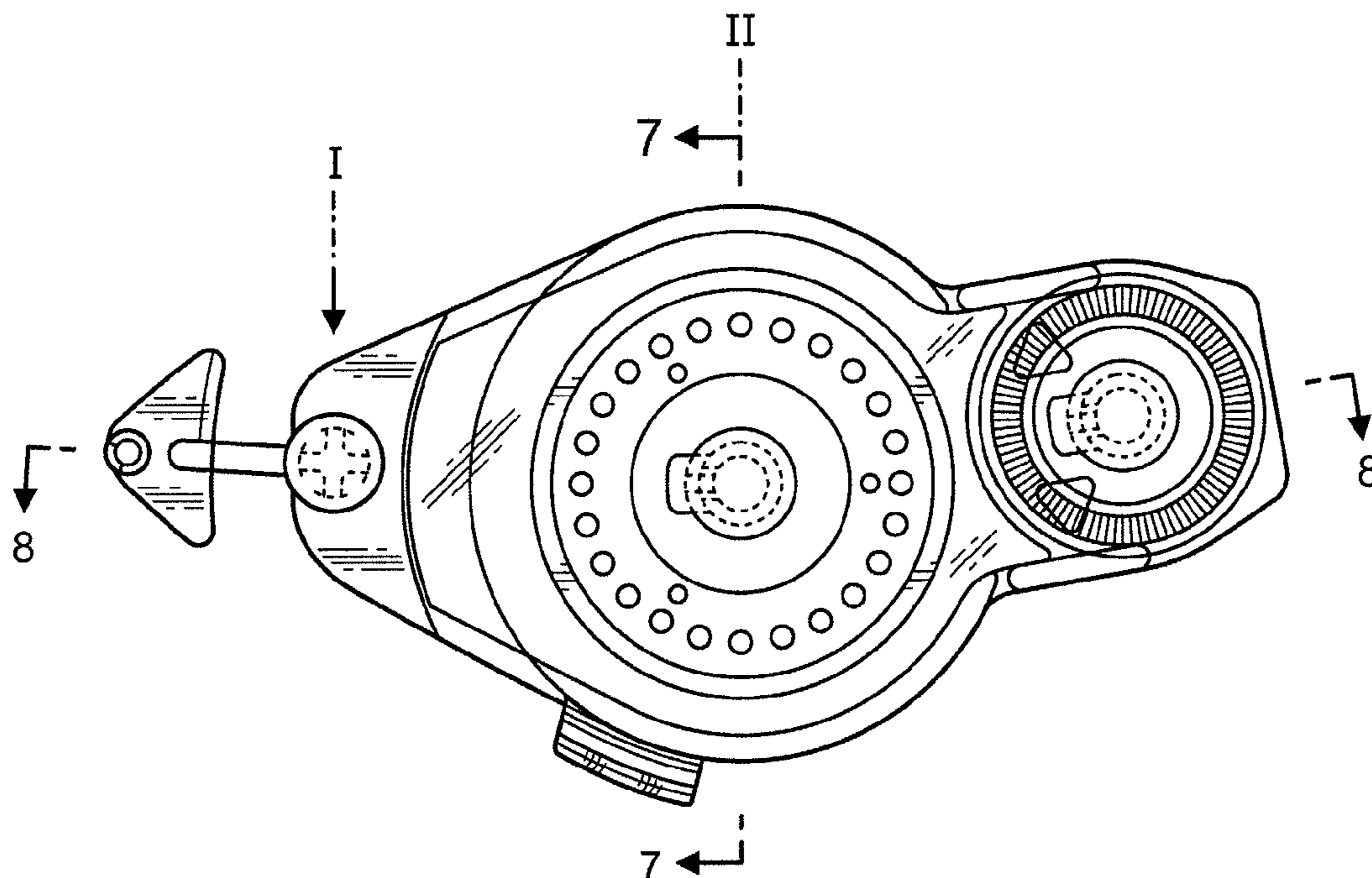
D418,165 S *	12/1999	Katami	D19/69
D439,616 S *	3/2001	Katami	D19/69
D466,554 S *	12/2002	Yonezawa et al.	D19/67
D476,687 S *	7/2003	Katami	D19/69
6,599,363 B2 *	7/2003	Narita	118/76
D483,409 S *	12/2003	Watanabe et al.	D19/69
D492,730 S *	7/2004	Suzuki	D19/69
D523,085 S *	6/2006	Mitsui et al.	D19/69
D542,847 S *	5/2007	Ono	D19/69

FIG. 7 shows an enlarged end view of center section 7—7 of the design according to embodiments of the present invention; and,

FIG. 8 shows a section view 8—8 of the design according to embodiments of the present invention.

Portions of the invention shown in broken lines form no part of the claimed design.

1 Claim, 3 Drawing Sheets



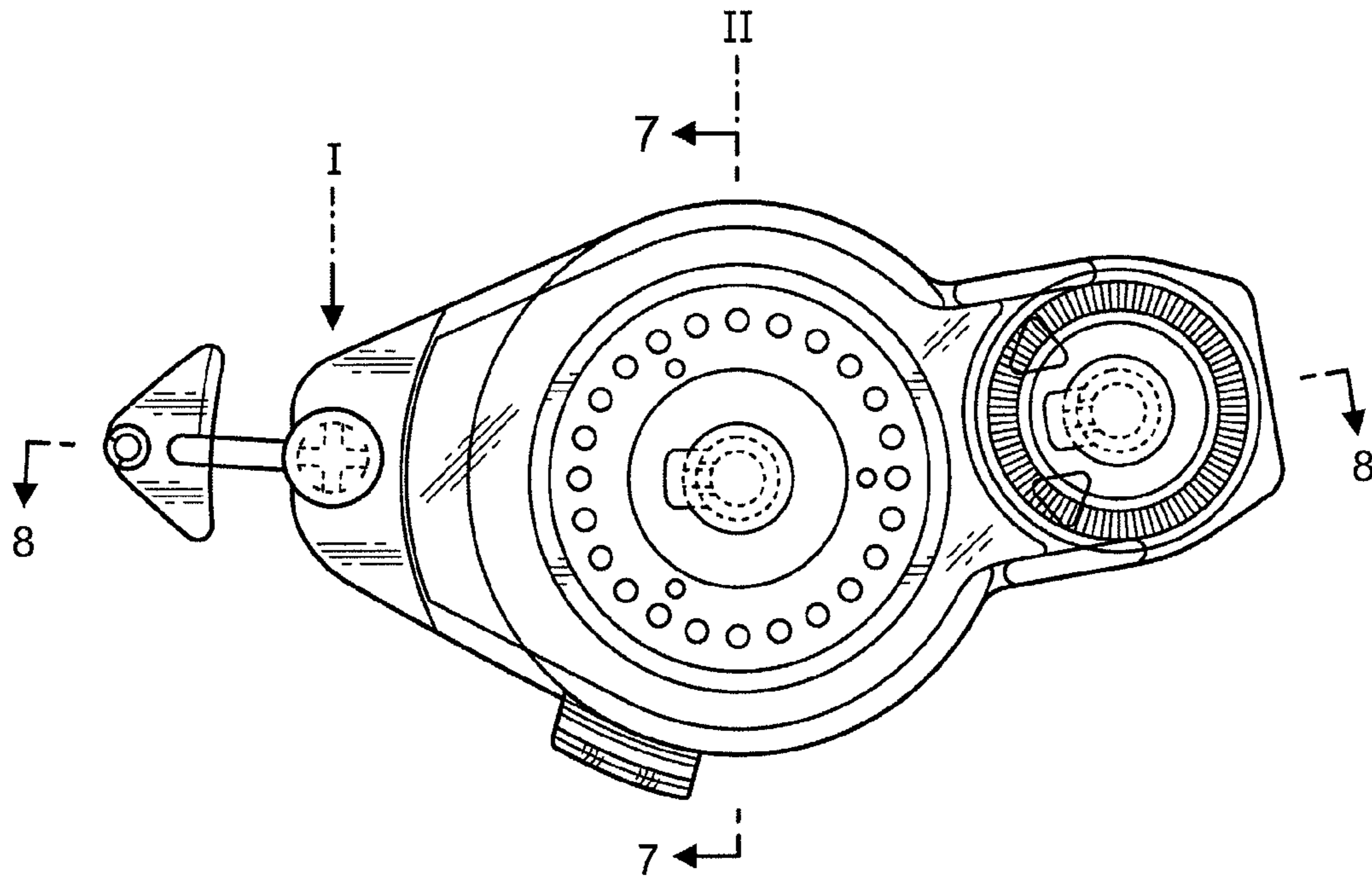


FIG. 1

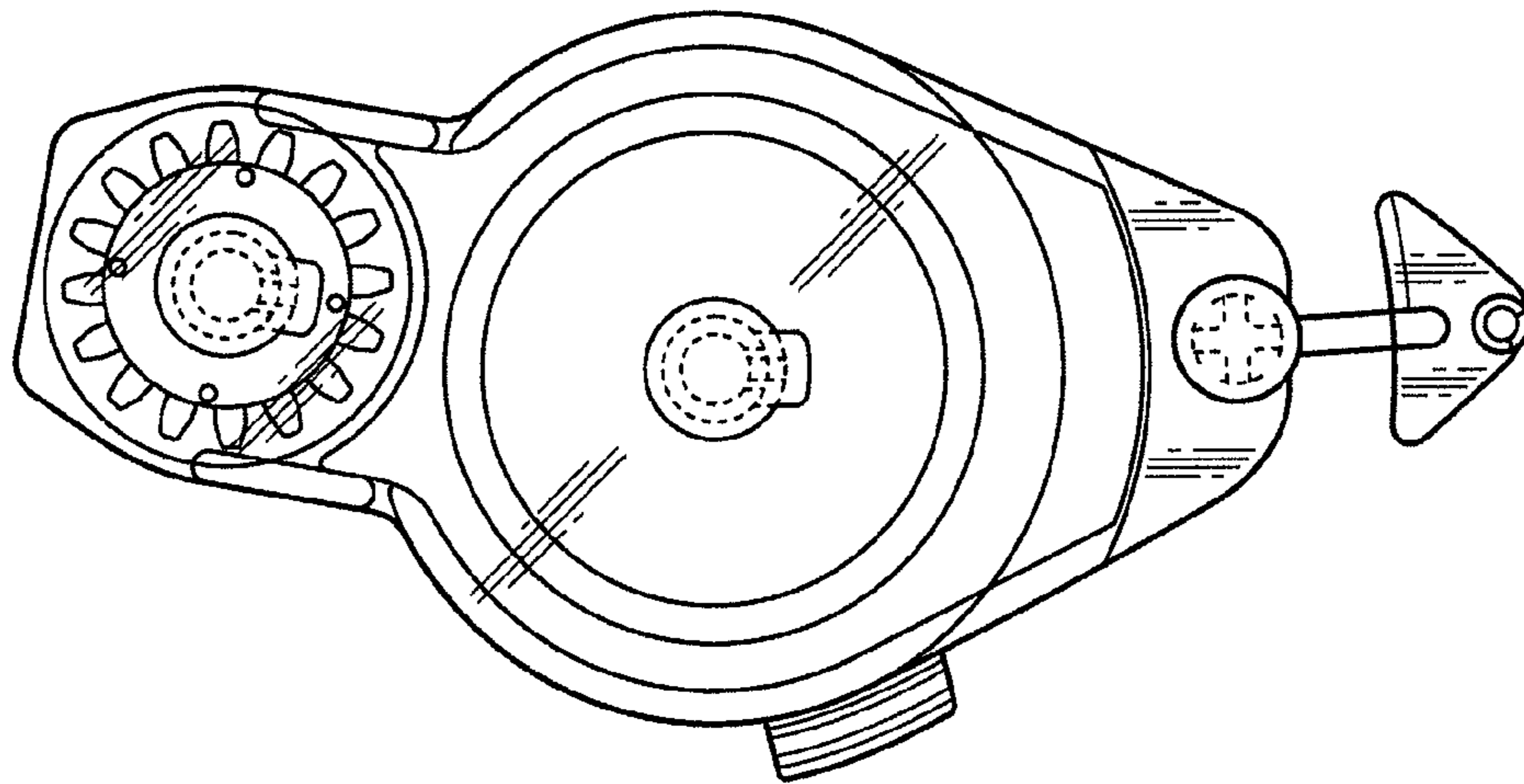


FIG. 2

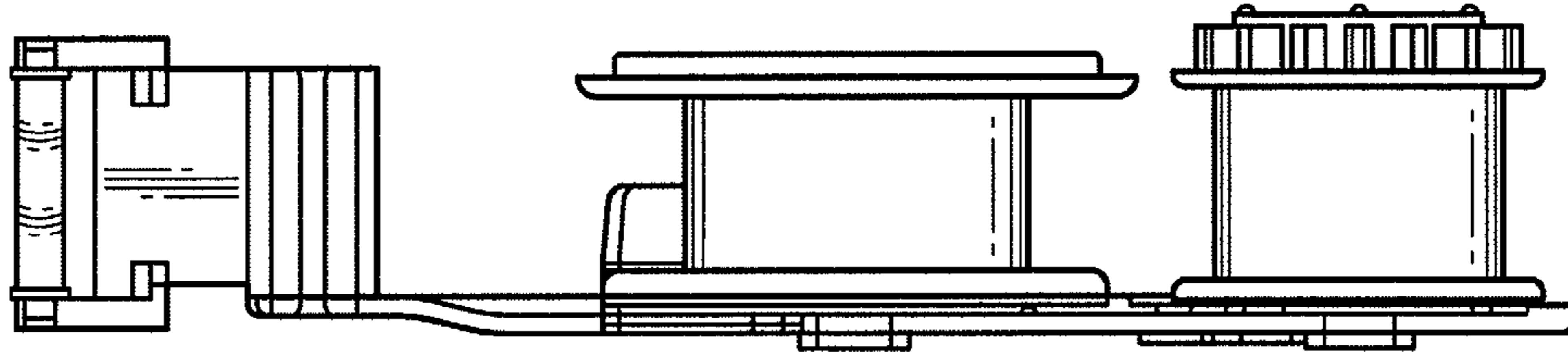


FIG. 3

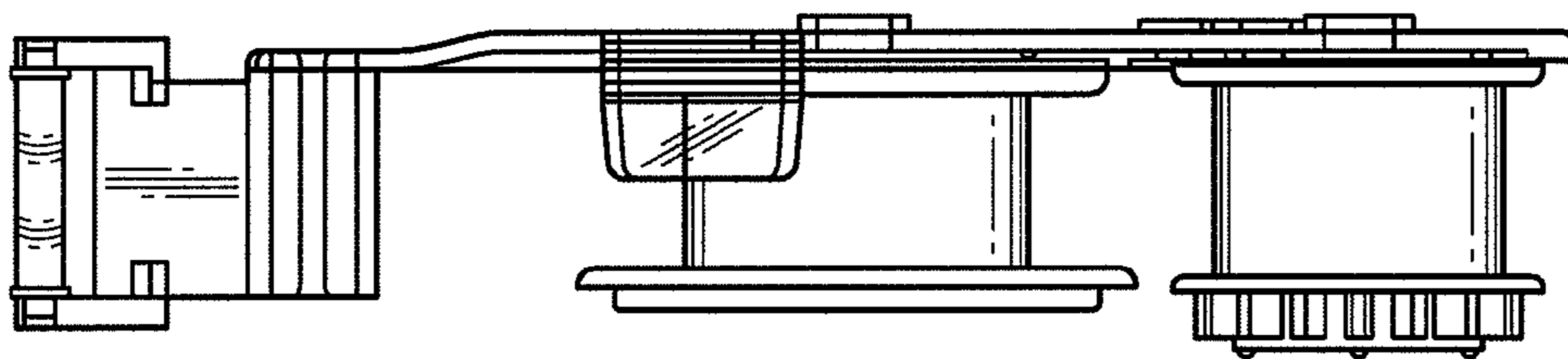


FIG. 4

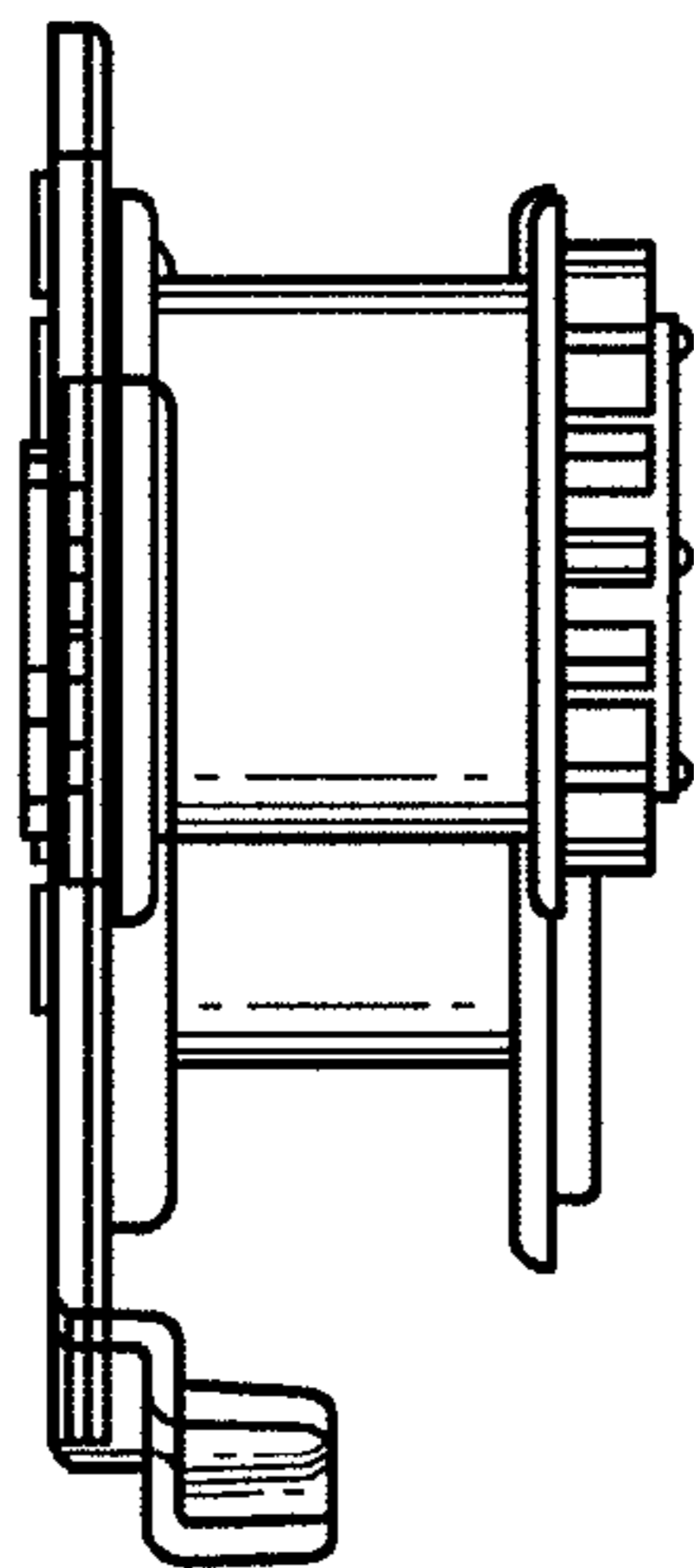


FIG. 5

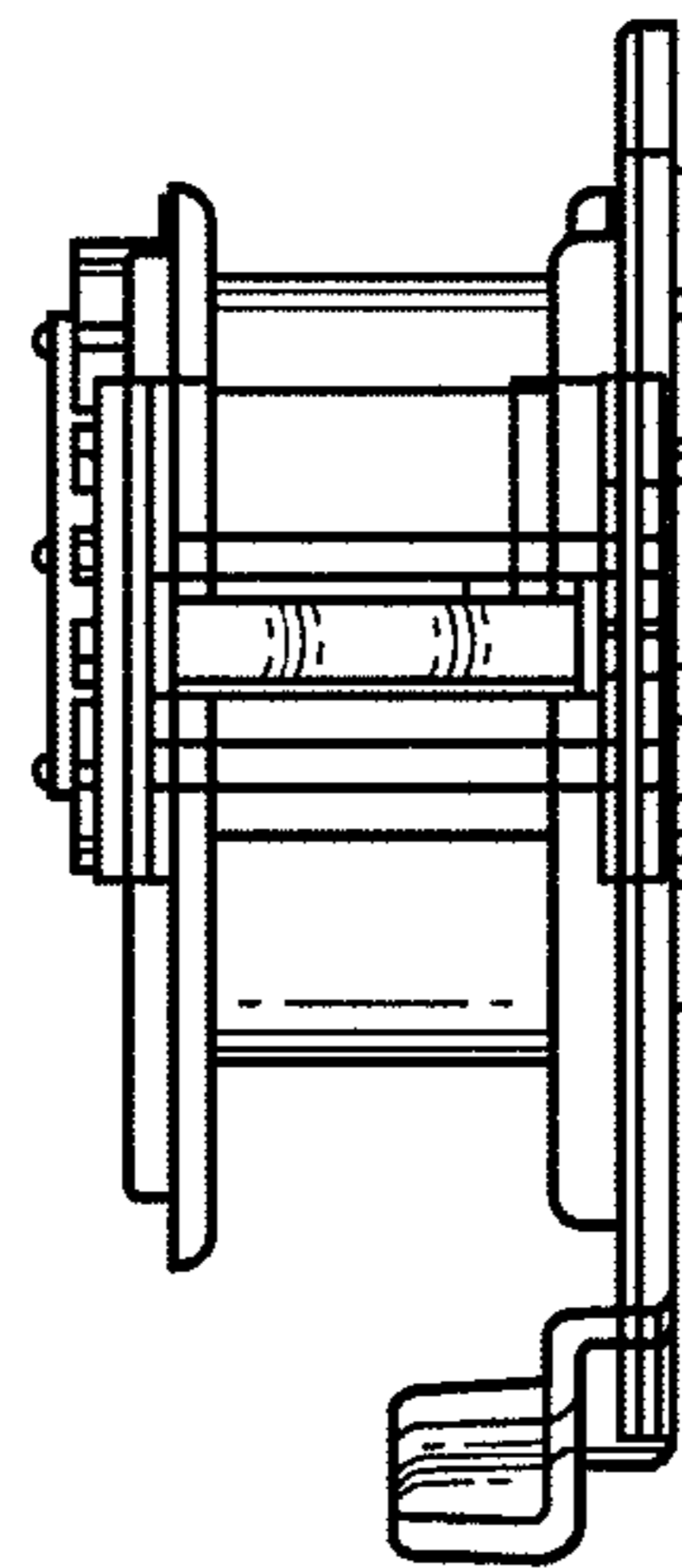


FIG. 6

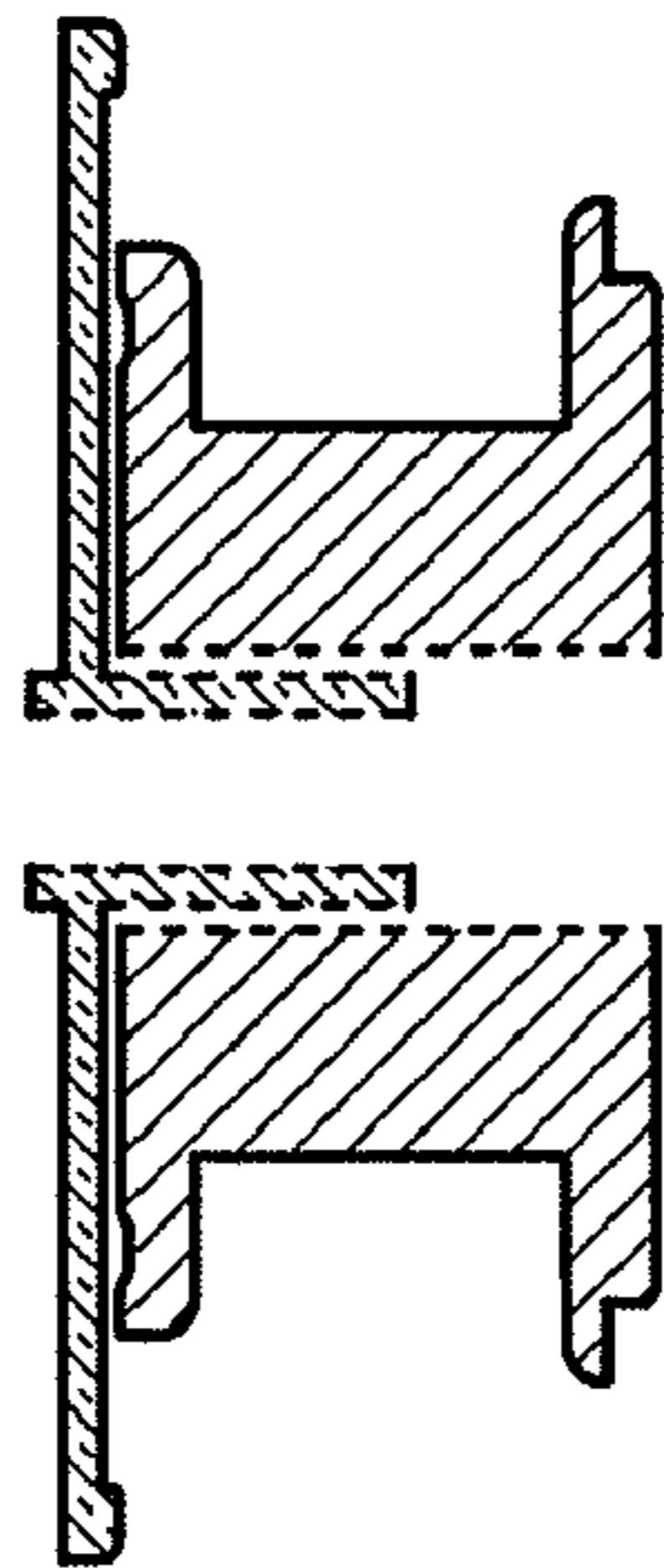


FIG. 7

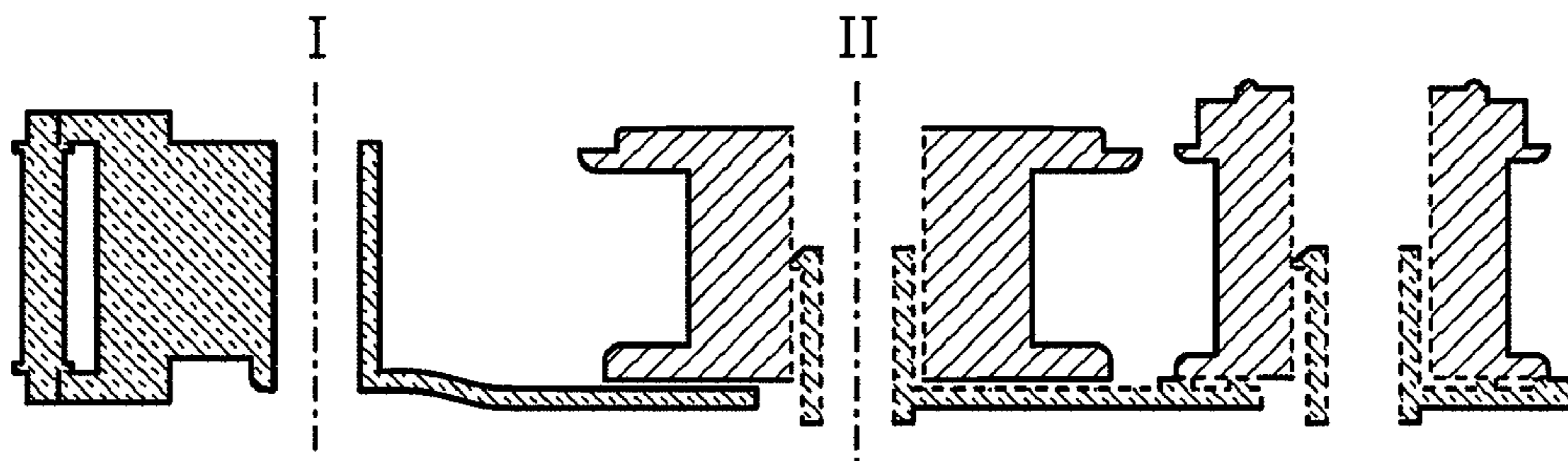


FIG. 8