



US00D592700S

(12) **United States Design Patent**
Matsushita et al.

(10) **Patent No.:** **US D592,700 S**
(45) **Date of Patent:** **** May 19, 2009**

(54) **COATING FILM TRANSFER TOOL**

(75) Inventors: **Kinya Matsushita**, Osaka (JP); **Hideto Shima**, Yawata (JP)

(73) Assignee: **Kokuyo S&T Co., Ltd.**, Osaka (JP)

(**) Term: **14 Years**

(21) Appl. No.: **29/228,205**

(22) Filed: **Apr. 21, 2005**

(30) **Foreign Application Priority Data**

Nov. 4, 2004 (JP) D2004-033505

(51) **LOC (9) Cl.** **19-02**

(52) **U.S. Cl.** **D19/67**

(58) **Field of Classification Search** D19/66,
D19/67, 68, 69, 70; 156/523, 257, 540, 577;
206/411; 225/6, 25, 39, 77; 242/588, 588.1,
242/588.2, 588.3, 588.6, 598.5

See application file for complete search history.

(56) **References Cited**

U.S. PATENT DOCUMENTS

- D355,934 S * 2/1995 Oga et al. D19/69
- 5,472,560 A * 12/1995 Horng 156/577
- D418,165 S * 12/1999 Katami D19/69
- D433,449 S * 11/2000 Fujiwara D19/53
- D438,567 S * 3/2001 Van Den Berg D19/69
- 6,206,072 B1 * 3/2001 Orihara et al. 156/540
- D451,960 S * 12/2001 Shimizu D19/69
- D456,450 S * 4/2002 Kimura D19/69
- D465,241 S * 11/2002 Suzuki D19/69
- D466,554 S * 12/2002 Yonezawa et al. D19/67

- 6,554,045 B1 * 4/2003 Lee 156/577
- 6,599,363 B2 * 7/2003 Narita 118/76
- 6,681,830 B1 * 1/2004 Vulpitta et al. 156/527
- 7,059,374 B2 * 6/2006 Mitsui et al. 156/523
- D527,766 S * 9/2006 Mitsui et al. D19/69
- D539,351 S * 3/2007 Mitsui et al. D19/69
- 2002/0033237 A1 * 3/2002 Narita et al. 158/577
- 2002/0062928 A1 * 5/2002 Ishikawa 156/523
- 2003/0024652 A1 * 2/2003 Huthmacher et al. 156/577
- 2005/0139326 A1 * 6/2005 Mitsui et al. 156/540
- 2005/0155717 A1 * 7/2005 Mitsui et al. 156/577
- 2006/0151657 A1 * 7/2006 Matsushita 242/523.1

* cited by examiner

Primary Examiner—Cathron C Brooks

Assistant Examiner—Austin Murphy

(74) *Attorney, Agent, or Firm*—Banner & Witcoff, Ltd.

(57) **CLAIM**

The ornamental design for a coating film transfer tool, as shown and described.

DESCRIPTION

FIG. 1 is a front elevational view of a coating film transfer tool showing our new design;

FIG. 2 is a rear elevational view;

FIG. 3 is a top plan view;

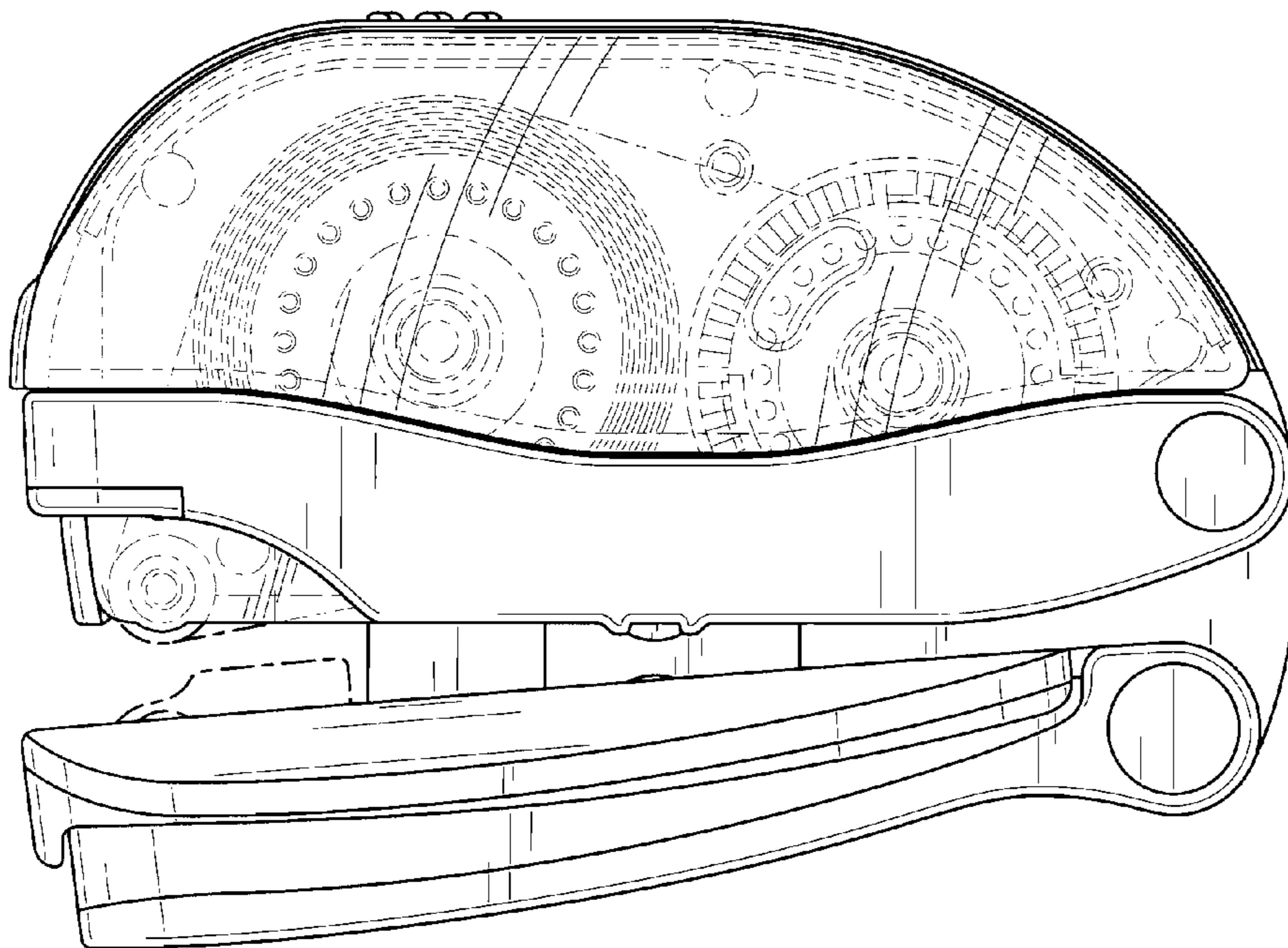
FIG. 4 is a bottom plan view;

FIG. 5 is a right side elevational view; and,

FIG. 6 is a left side elevational view.

The broken line showings are for illustrative purposes only and form no part of the claimed design.

1 Claim, 6 Drawing Sheets



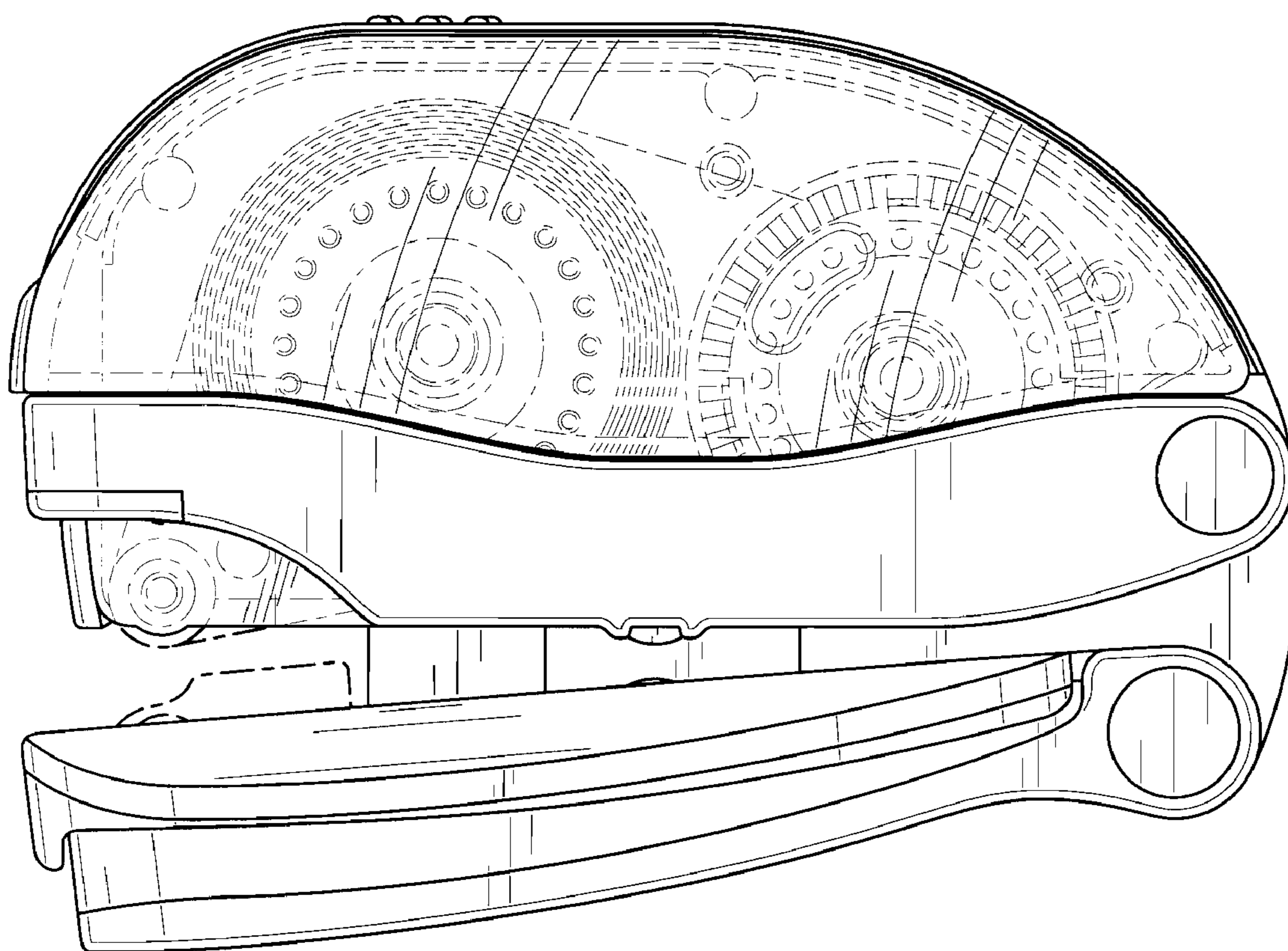


FIG. 1

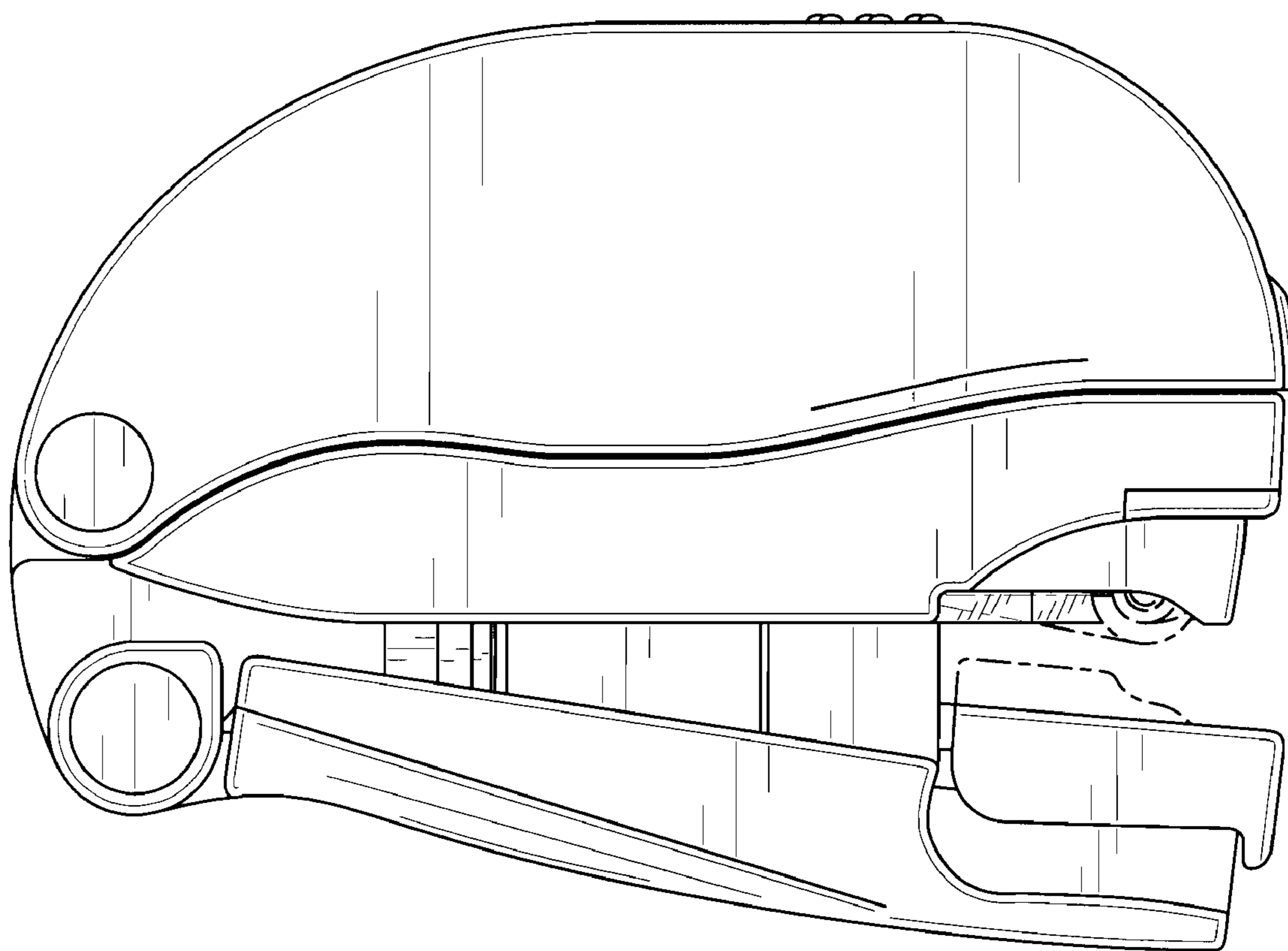


FIG. 2

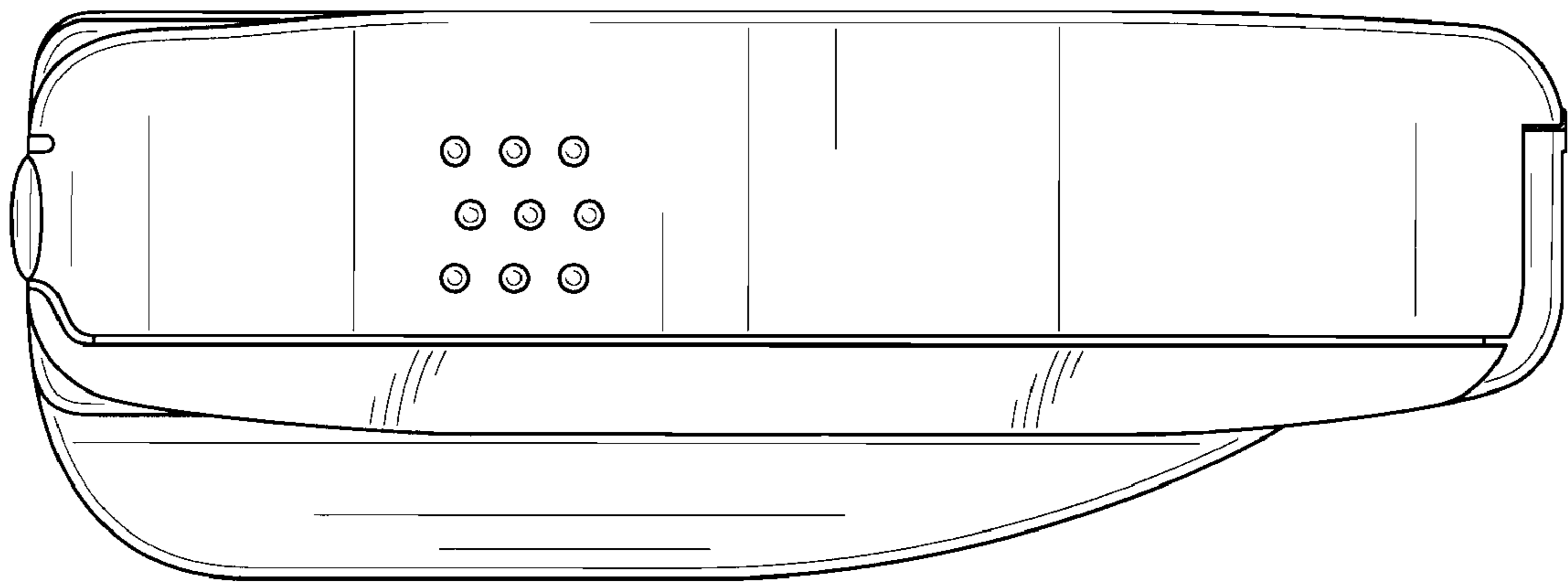


FIG. 3

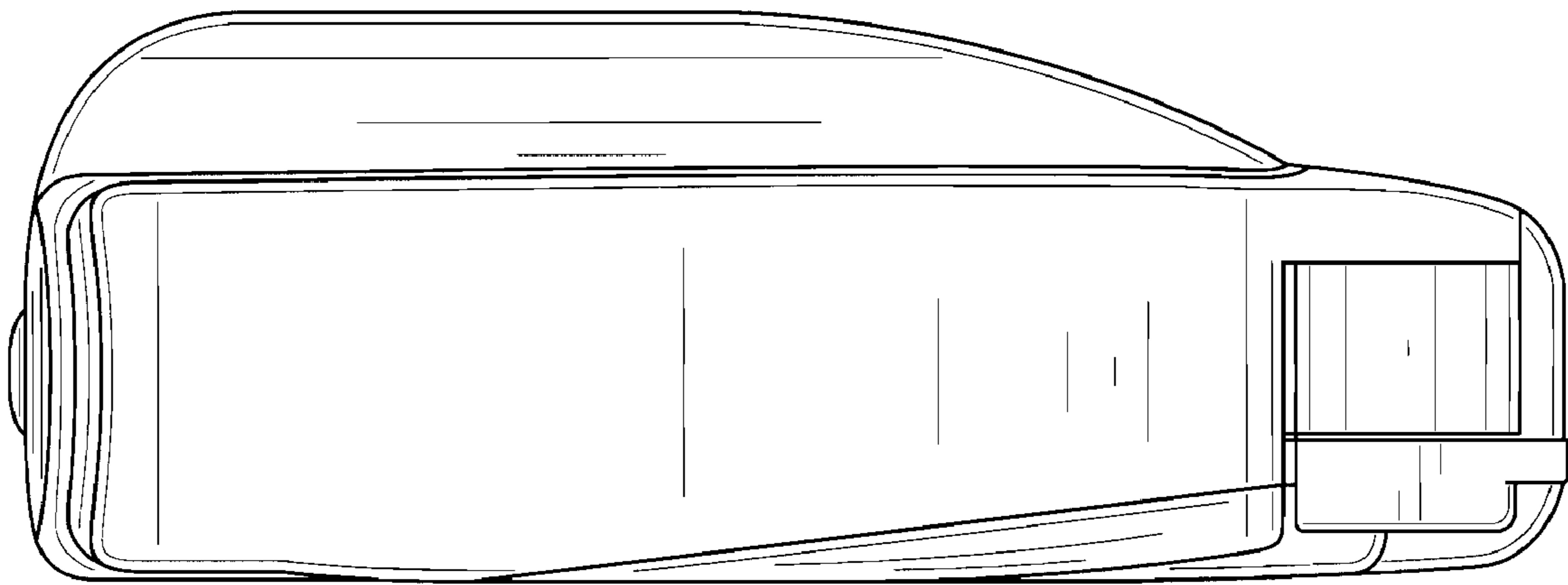


FIG. 4

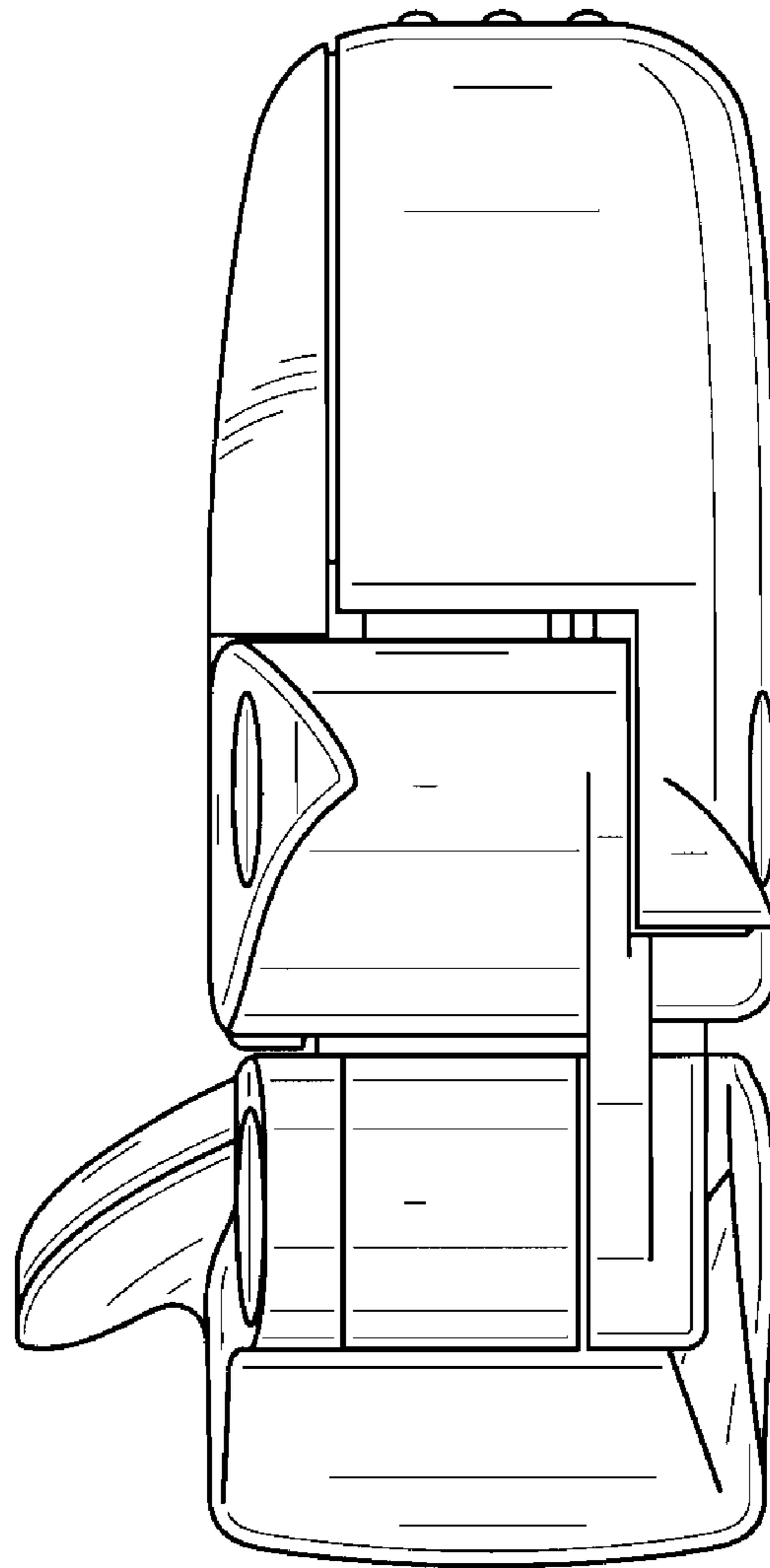


FIG. 5

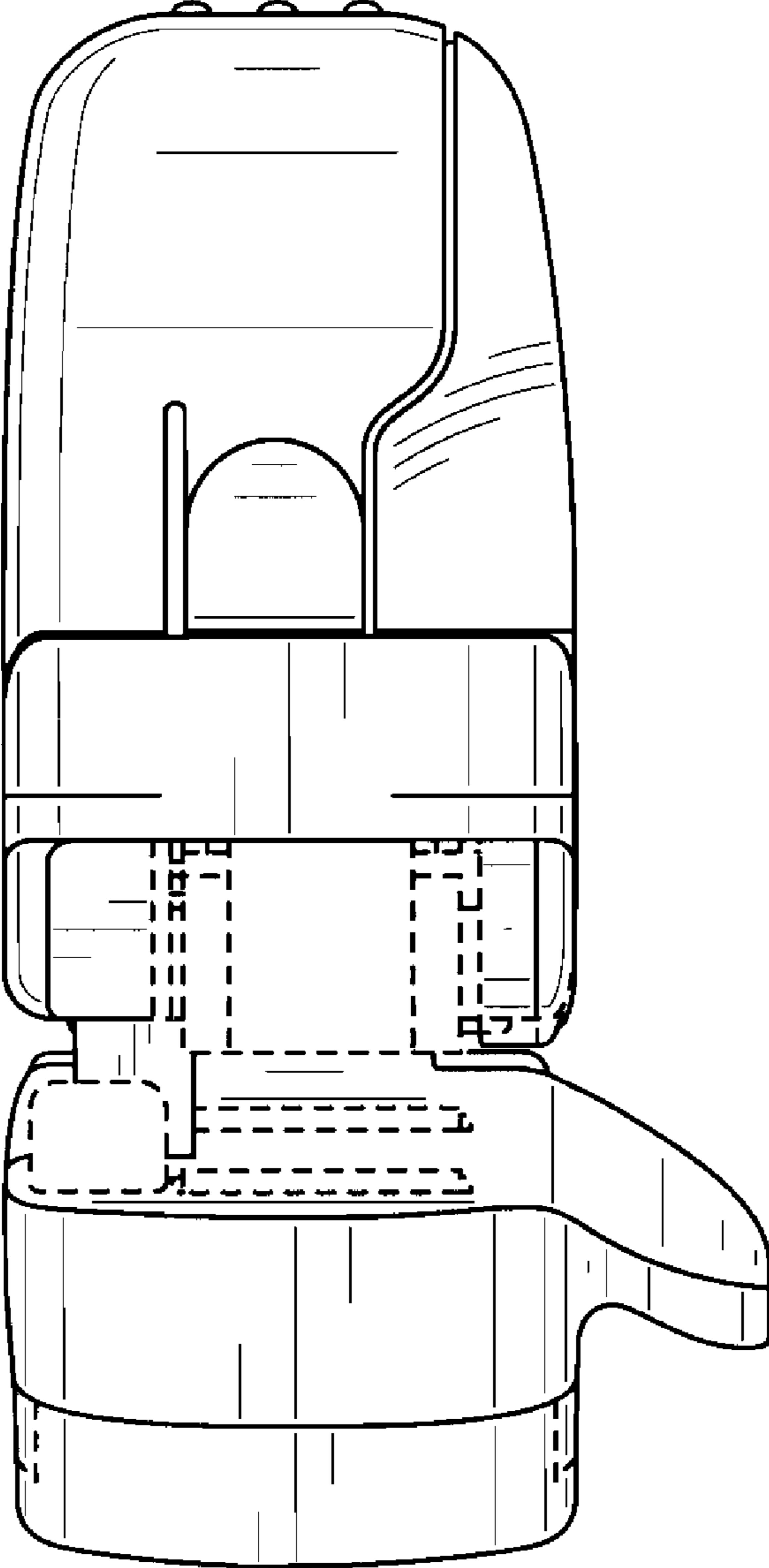


FIG. 6