



US00D592693S

(12) **United States Design Patent**  
**Chang**

(10) **Patent No.:** **US D592,693 S**

(45) **Date of Patent:** **\*\* May 19, 2009**

(54) **THROUGH-THE-LENS MEDICAL/DENTAL LOUPES**

6,799,847 B2 \* 10/2004 Caplan ..... 351/128  
D556,244 S \* 11/2007 Tsai ..... D16/315

(75) Inventor: **Byung J. Chang**, Ann Arbor, MI (US)

\* cited by examiner

(73) Assignee: **General Scientific Corporation**, Ann Arbor, MI (US)

*Primary Examiner*—Raphael Barkai  
(74) *Attorney, Agent, or Firm*—Gifford, Krass, Sprinkle, Anderson & Citkowski, P.C.

(\*\*) Term: **14 Years**

(57) **CLAIM**

(21) Appl. No.: **29/320,742**

The ornamental design for though-the-lens medical/dental loupes, as shown and described.

(22) Filed: **Jul. 2, 2008**

(51) **LOC (9) Cl.** ..... **16-06**

(52) **U.S. Cl.** ..... **D16/309**

(58) **Field of Classification Search** ..... D16/101,  
D16/300–342; D29/109–110; D24/110.2;  
351/41, 44, 51–52, 62, 158, 92, 103–123,  
351/140, 153; 2/426–432, 447–449, 441,  
2/434–437; D21/483, 659–661

See application file for complete search history.

**DESCRIPTION**

FIG. 1 is an oblique view of the present invention, the broken lines shown are for illustrative purposes and form no part of the claimed design;

FIG. 2 is a front view of the present invention, the broken lines shown are for illustrative purposes and form no part of the claimed design;

FIG. 3 is a side view of the present invention, the broken lines shown are for illustrative purposes and form no part of the claimed design; and,

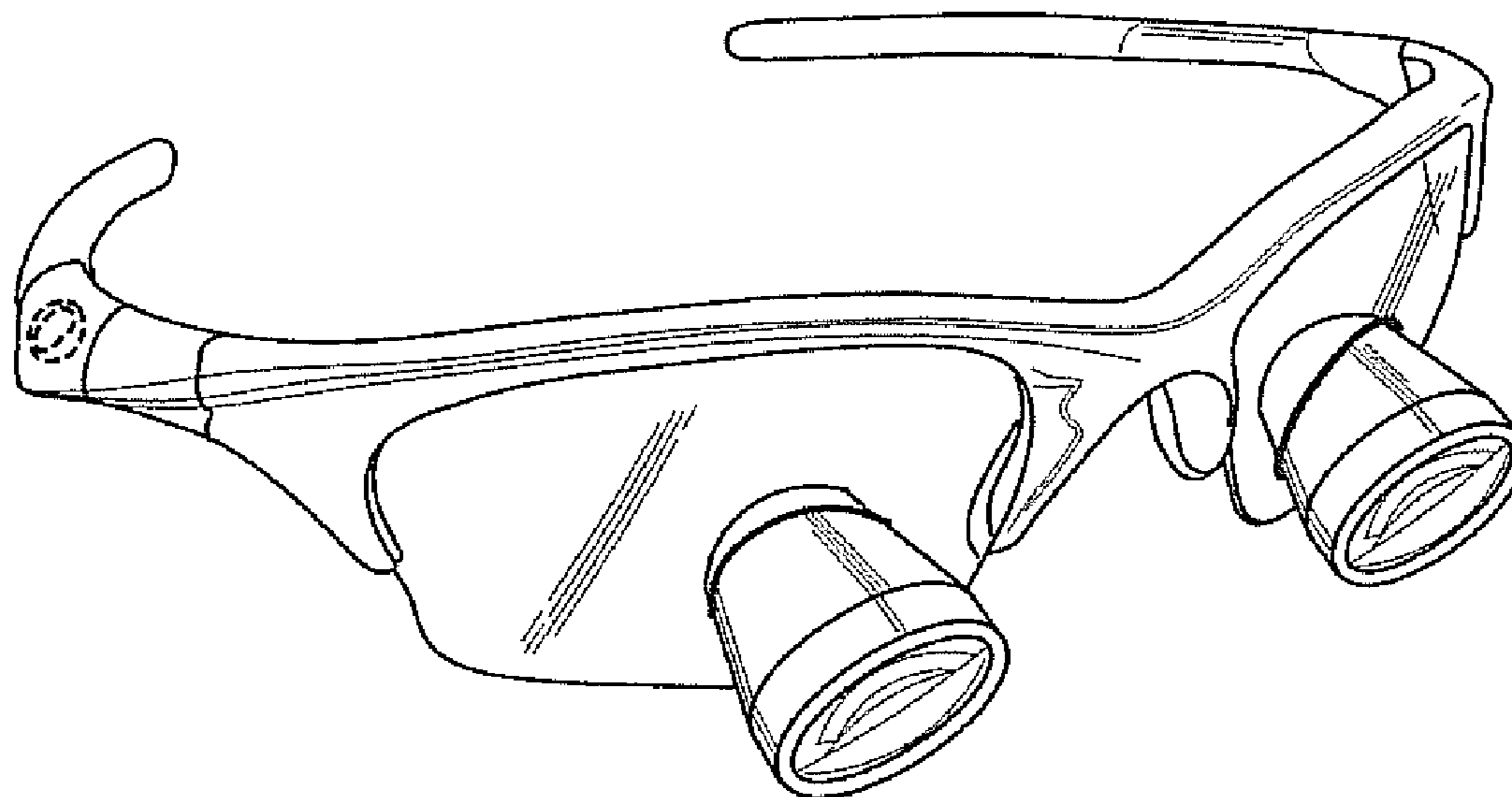
FIG. 4 is a top view of the present invention, the broken lines shown are for illustrative purposes and form no part of the claimed design.

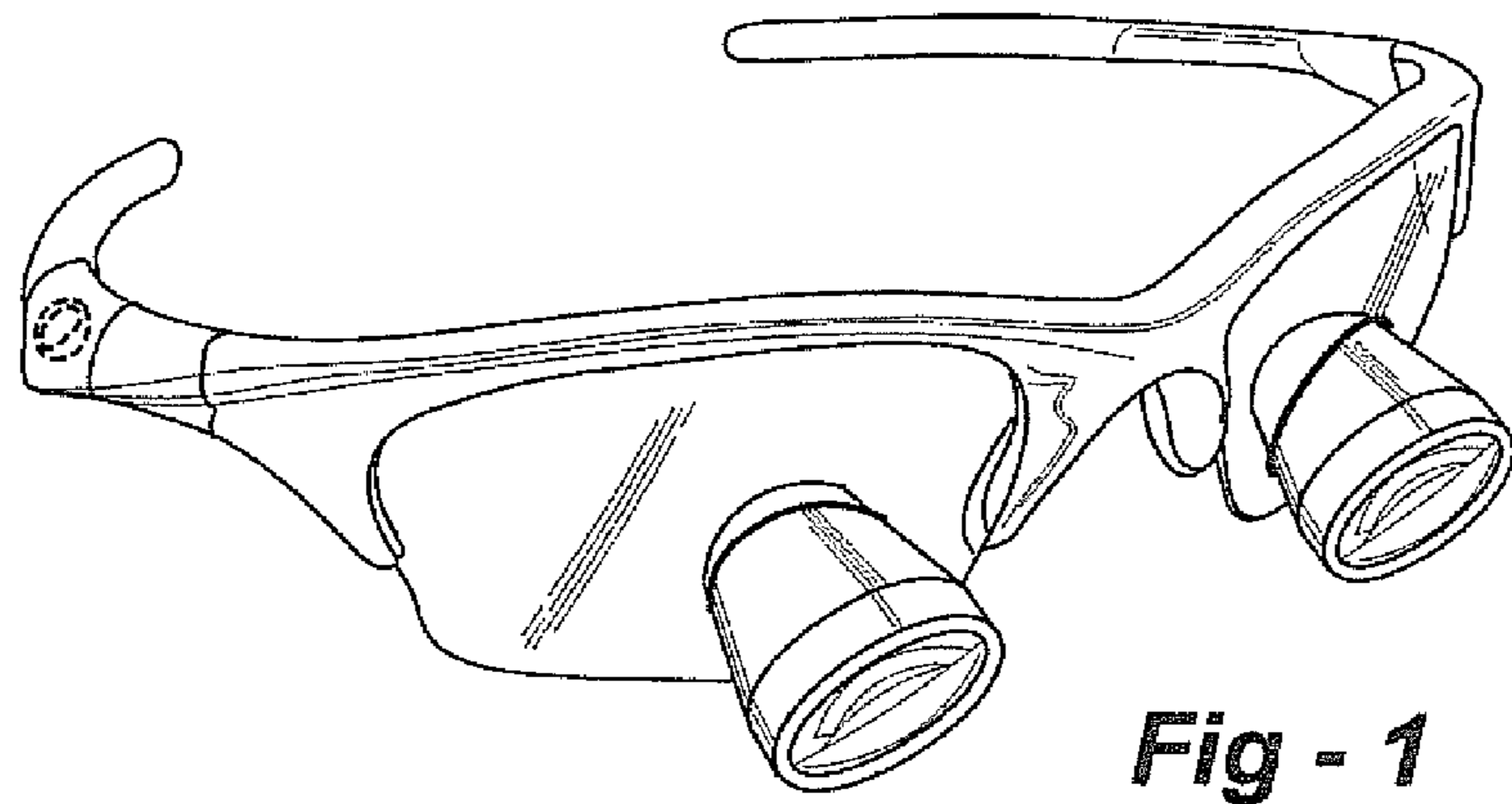
(56) **References Cited**

U.S. PATENT DOCUMENTS

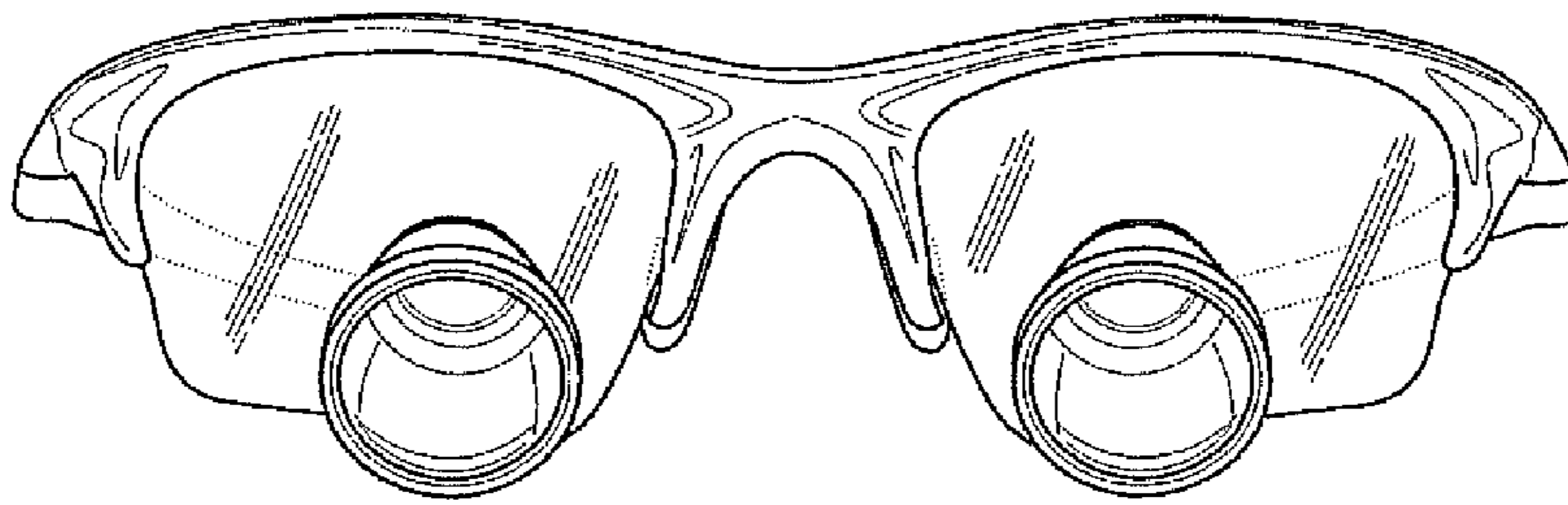
2,389,428 A \* 11/1945 Glasser ..... 351/158  
D345,368 S \* 3/1994 Clark et al. .... D16/132  
D474,224 S \* 5/2003 Chen ..... D16/315  
D497,379 S \* 10/2004 Tran et al. .... D16/311

**1 Claim, 2 Drawing Sheets**

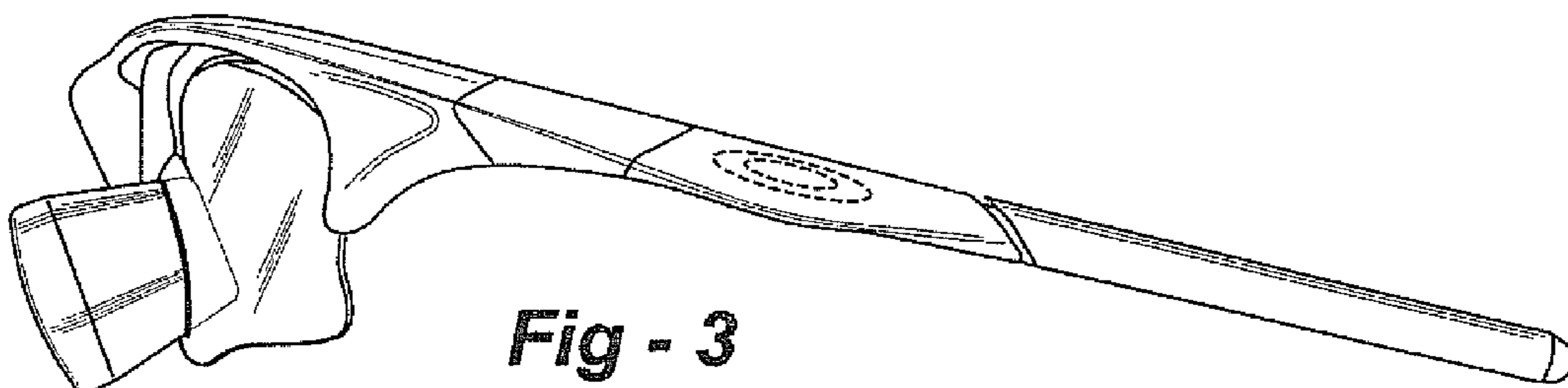




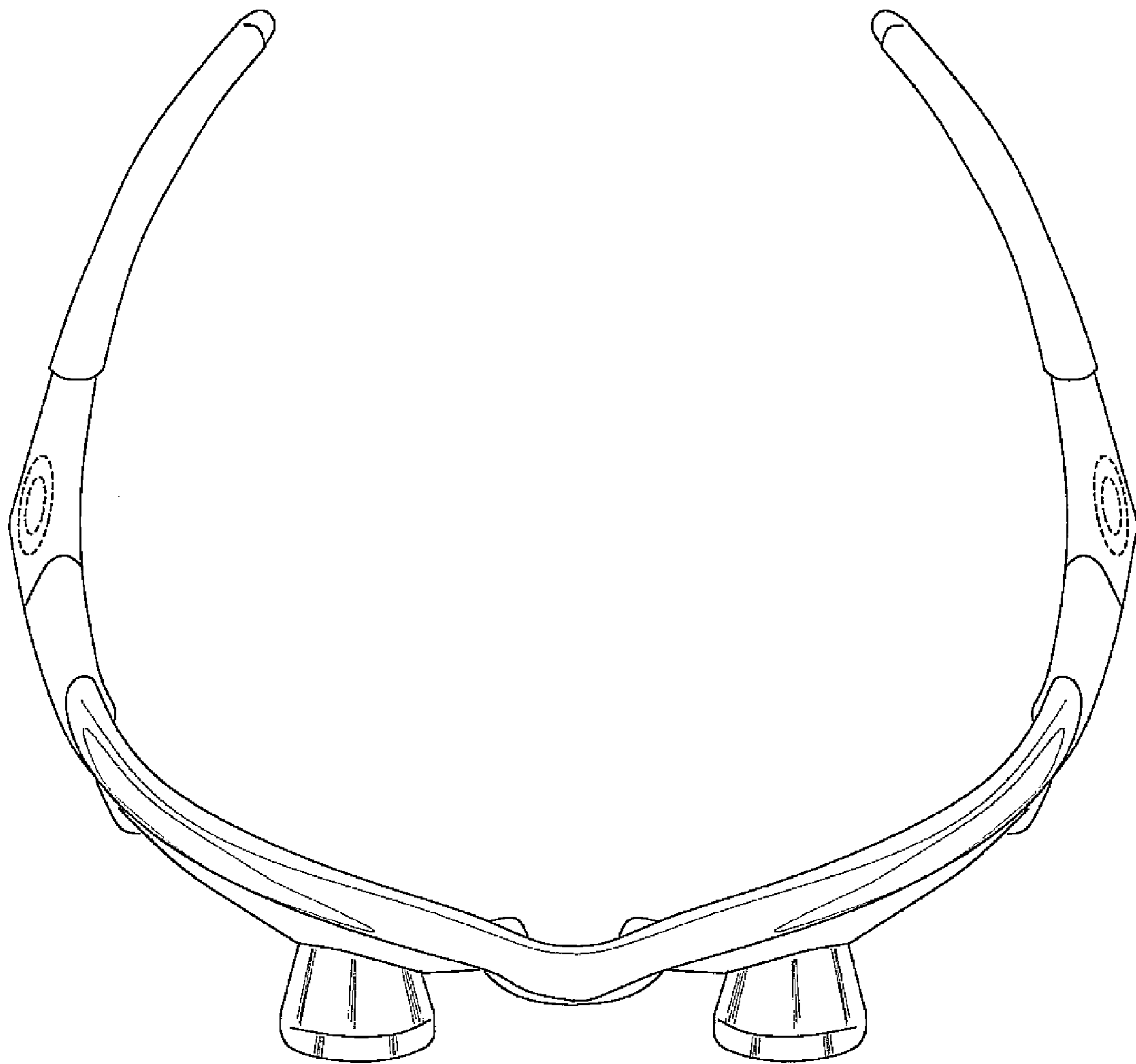
**Fig - 1**



**Fig - 2**



**Fig - 3**



**Fig - 4**