



US00D592690S

(12) **United States Design Patent**
Steiner

(10) **Patent No.:** **US D592,690 S**

(45) **Date of Patent:** **** May 19, 2009**

(54) **BINOCULAR**

(75) Inventor: **Carl Steiner**, Bindlach (DE)

(73) Assignee: **Steiner-Optik GmbH**, Bayreuth (DE)

(**) Term: **14 Years**

(21) Appl. No.: **29/320,088**

(22) Filed: **Jun. 19, 2008**

(51) **LOC (9) Cl.** **16-06**

(52) **U.S. Cl.** **D16/133**

(58) **Field of Classification Search** D16/130,
D16/133; 359/404, 405, 406, 407, 408, 409,
359/410, 411, 412, 413, 414, 415, 416, 417,
359/418, 419, 420, 425, 431, 835; 396/383;
D21/483; 206/316.3

See application file for complete search history.

(56) **References Cited**

U.S. PATENT DOCUMENTS

1,835,534	A *	12/1931	Steinle	359/413
3,484,149	A *	12/1969	Becker et al.	359/414
4,186,992	A *	2/1980	Kamakura	359/416
D492,711	S *	7/2004	Watanabe	D16/133
D503,730	S *	4/2005	Hamamura	D16/133
D514,609	S *	2/2006	Heine	D16/133

D521,037	S *	5/2006	Swift et al.	D16/133
D523,047	S *	6/2006	Swift et al.	D16/133
D523,885	S *	6/2006	Hayashi	D16/133
D528,138	S *	9/2006	Hwa	D16/133
D551,272	S *	9/2007	Fujii	D16/133
D567,275	S *	4/2008	Hayamizu	D16/133
D575,315	S *	8/2008	Inaba	D16/133

* cited by examiner

Primary Examiner—Paula Greene

(74) *Attorney, Agent, or Firm*—Browdy and Neimark, P.L.L.C.

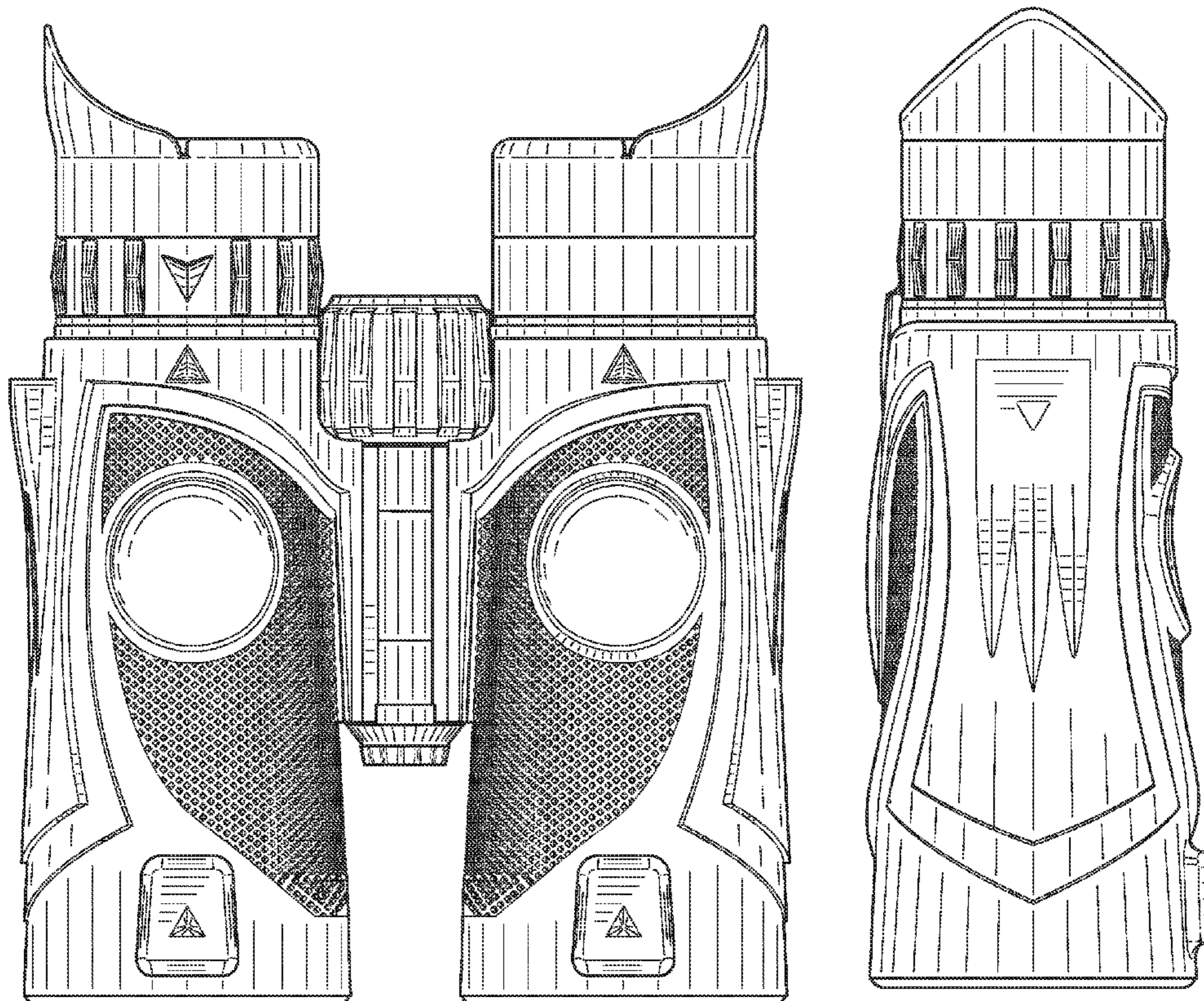
(57) **CLAIM**

The ornamental design for a binocular, as shown and described.

DESCRIPTION

FIG. 1 is a top view of a binocular, showing our new design;
FIG. 2 is a bottom view thereof;
FIG. 3 is a right side elevational view thereof;
FIG. 4 is a left side elevational view thereof;
FIG. 5 is a rear view thereof;
FIG. 6 is a front view thereof; and,
FIG. 7 is a perspective view thereof.

1 Claim, 7 Drawing Sheets



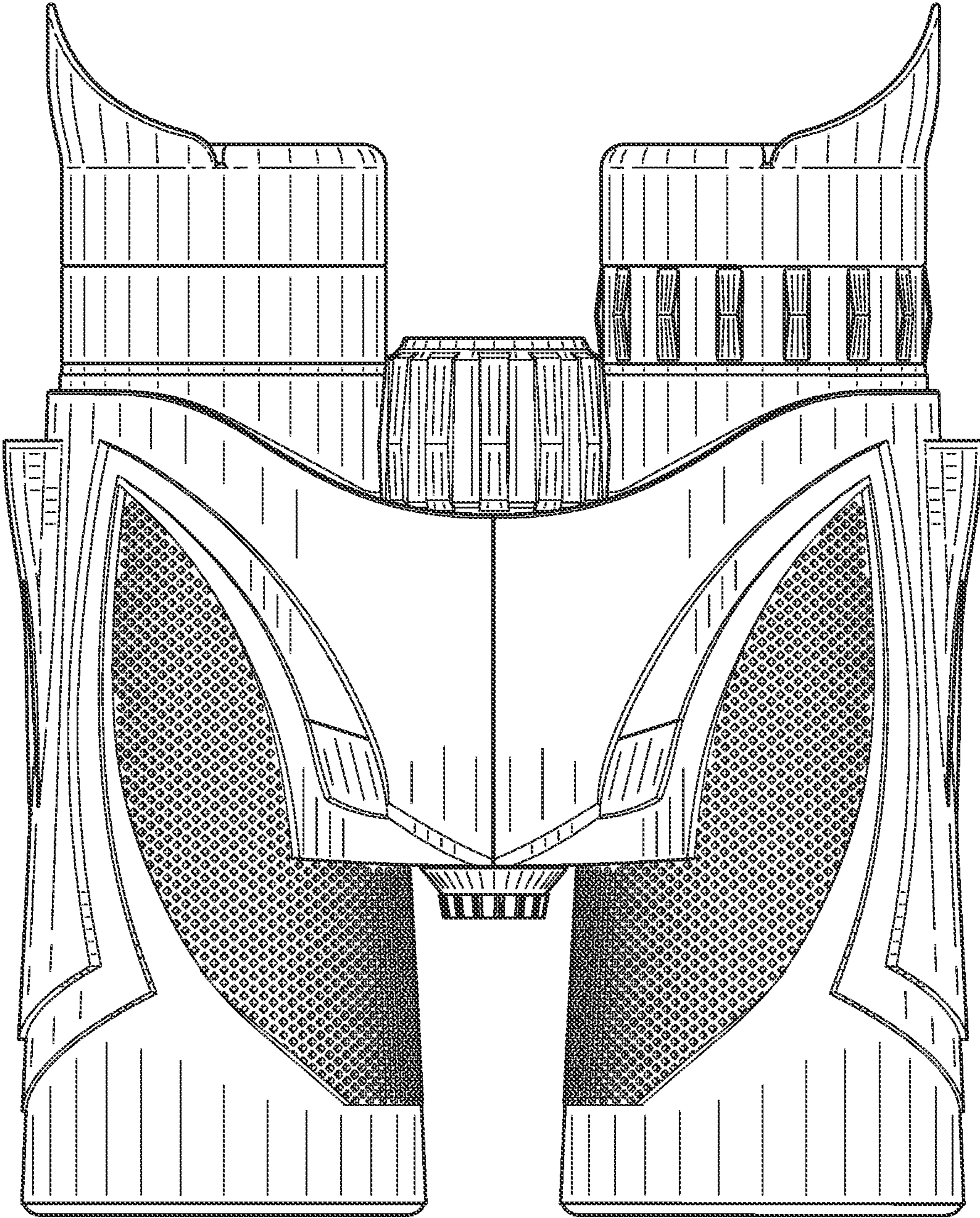


Figure 1

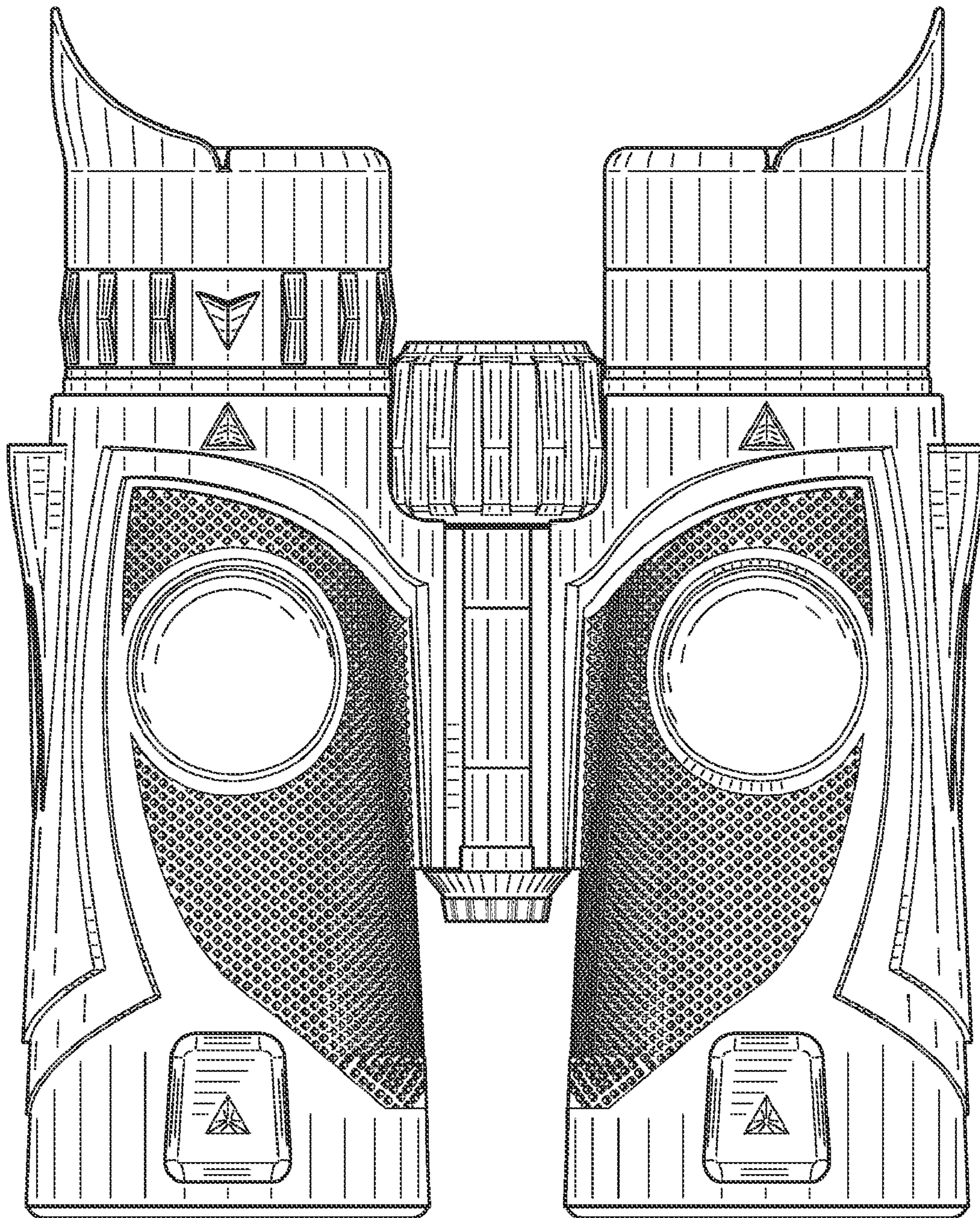


Figure 2

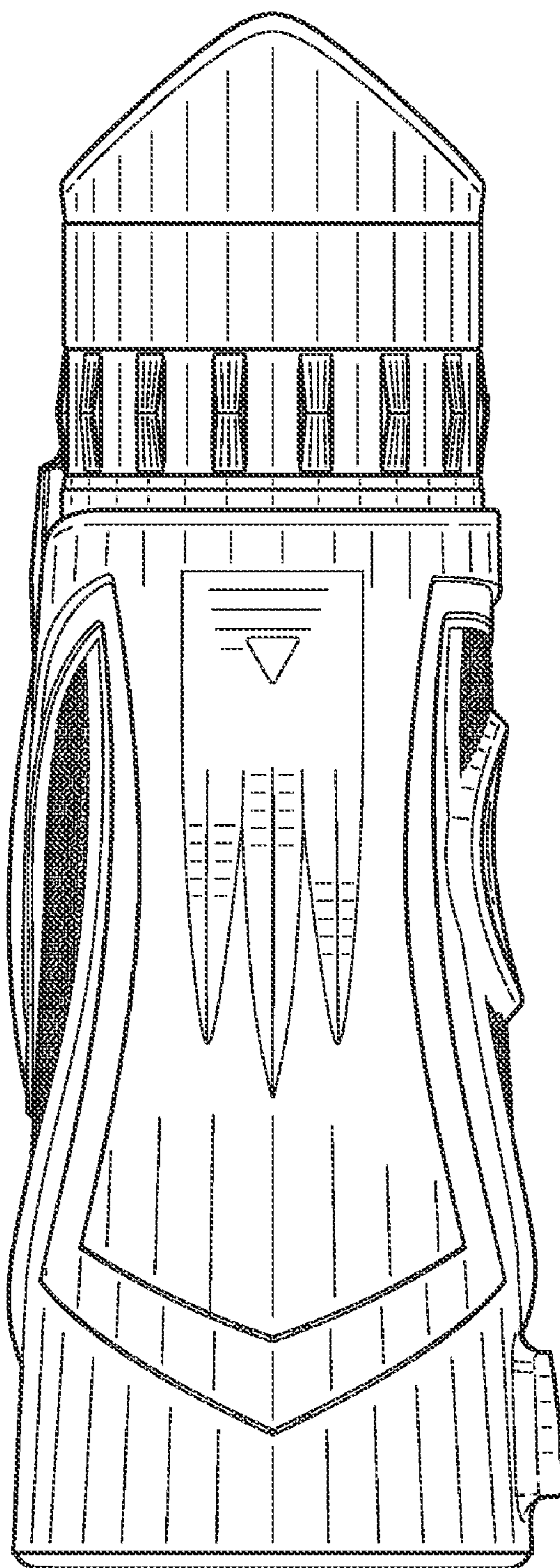


Figure 3

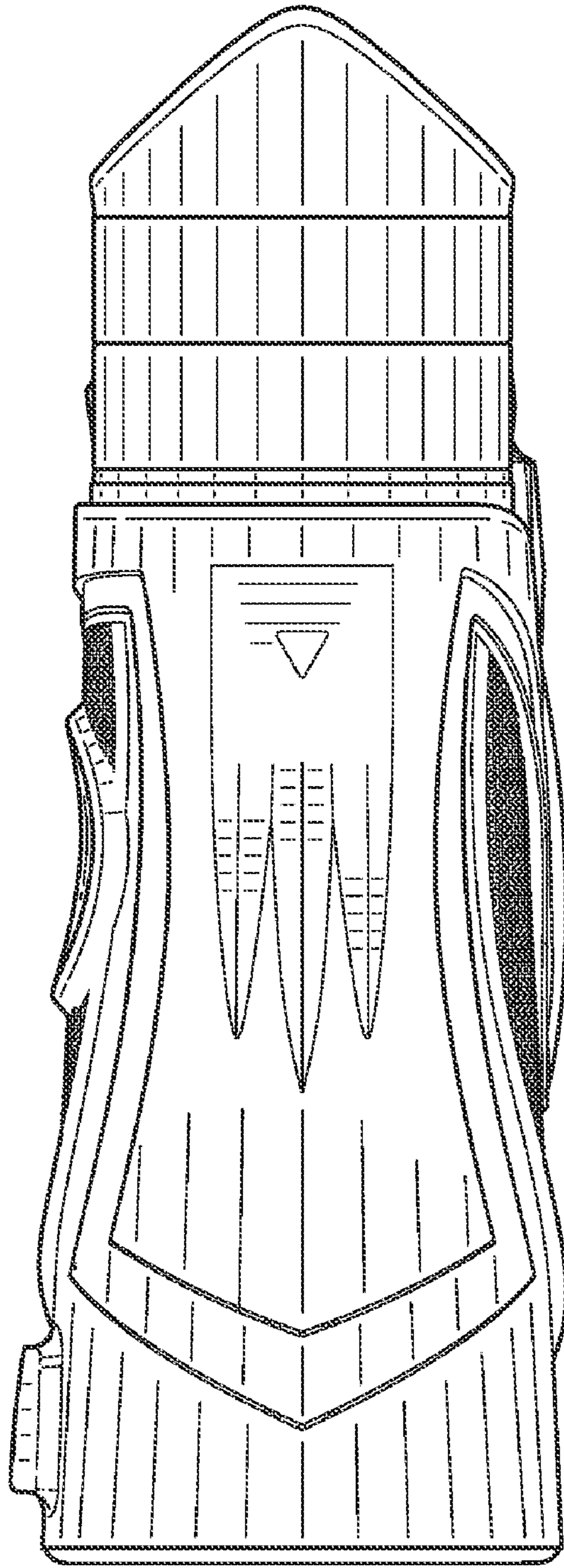


Figure 4

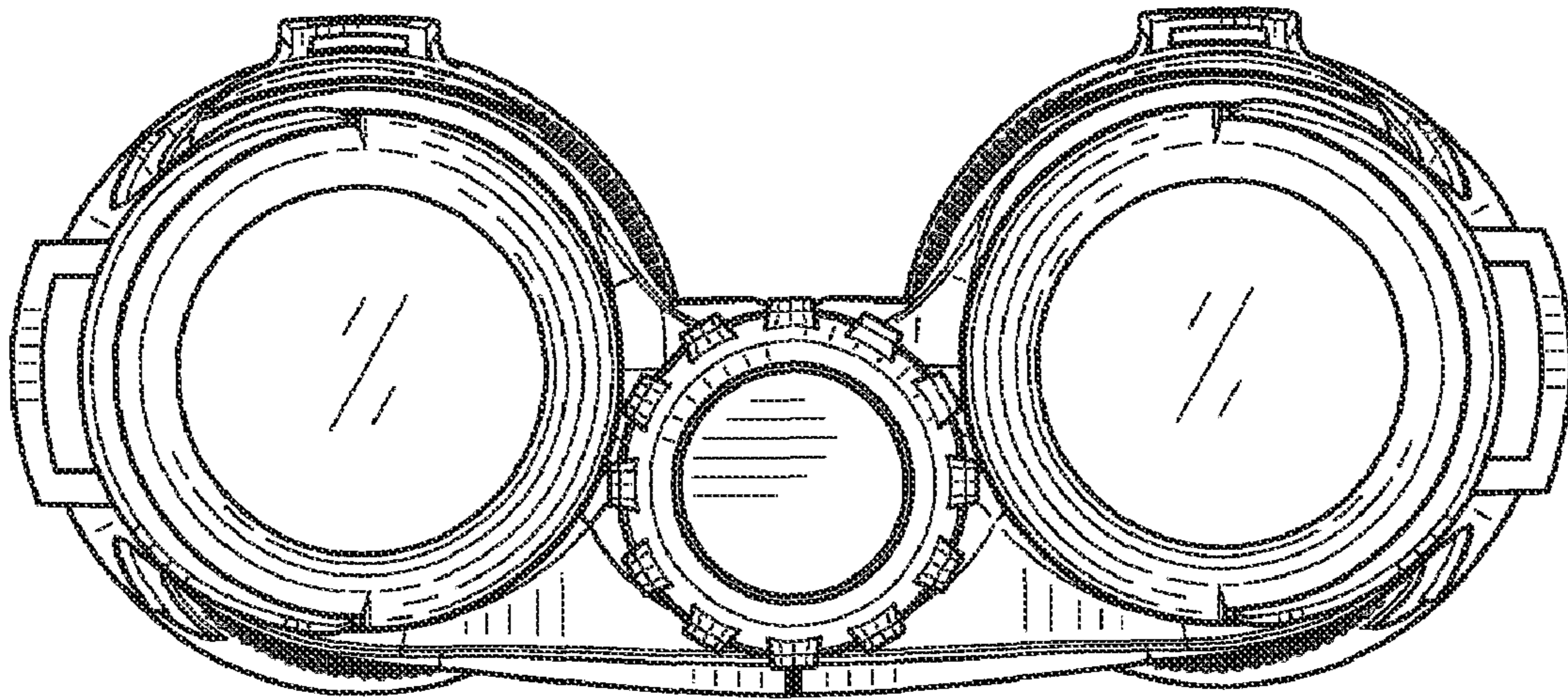


Figure 5

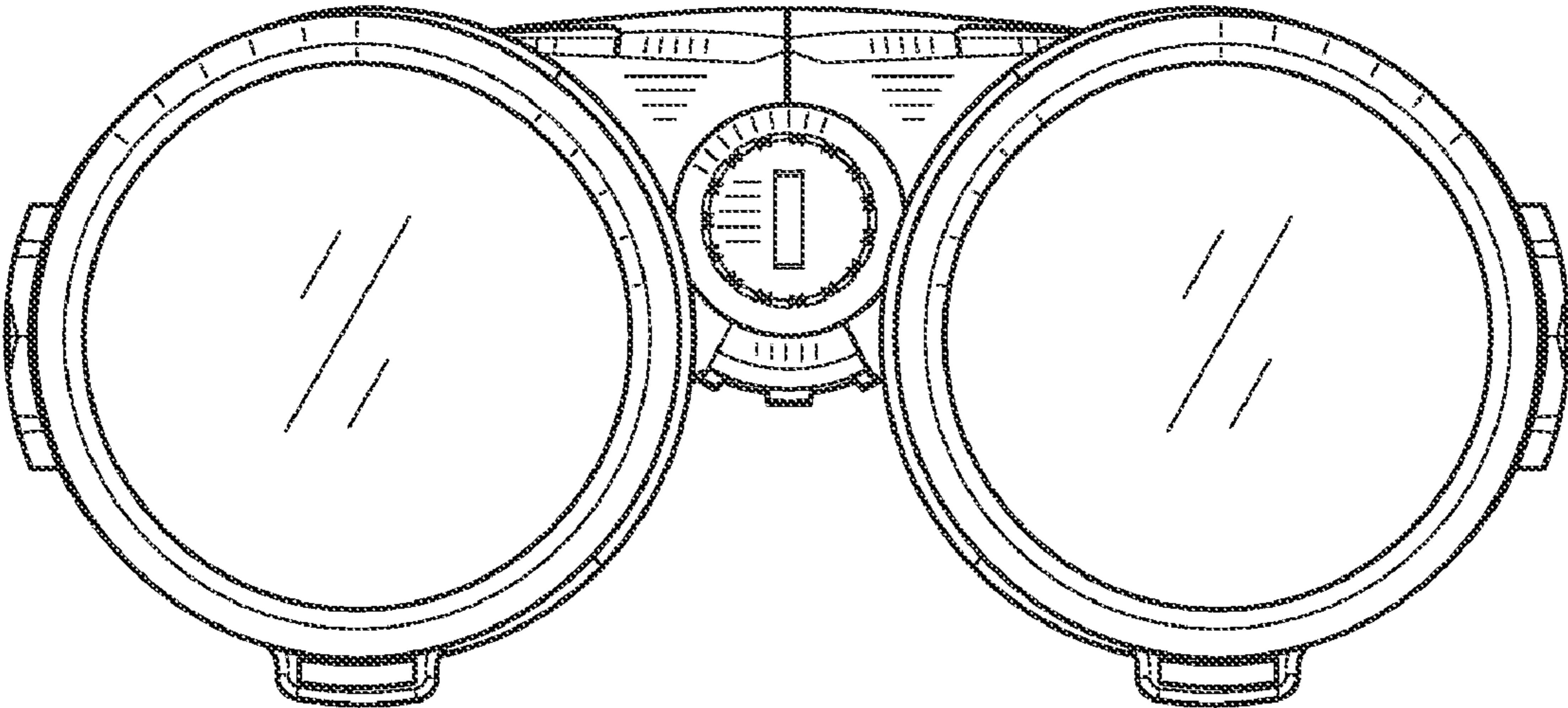


Figure 6

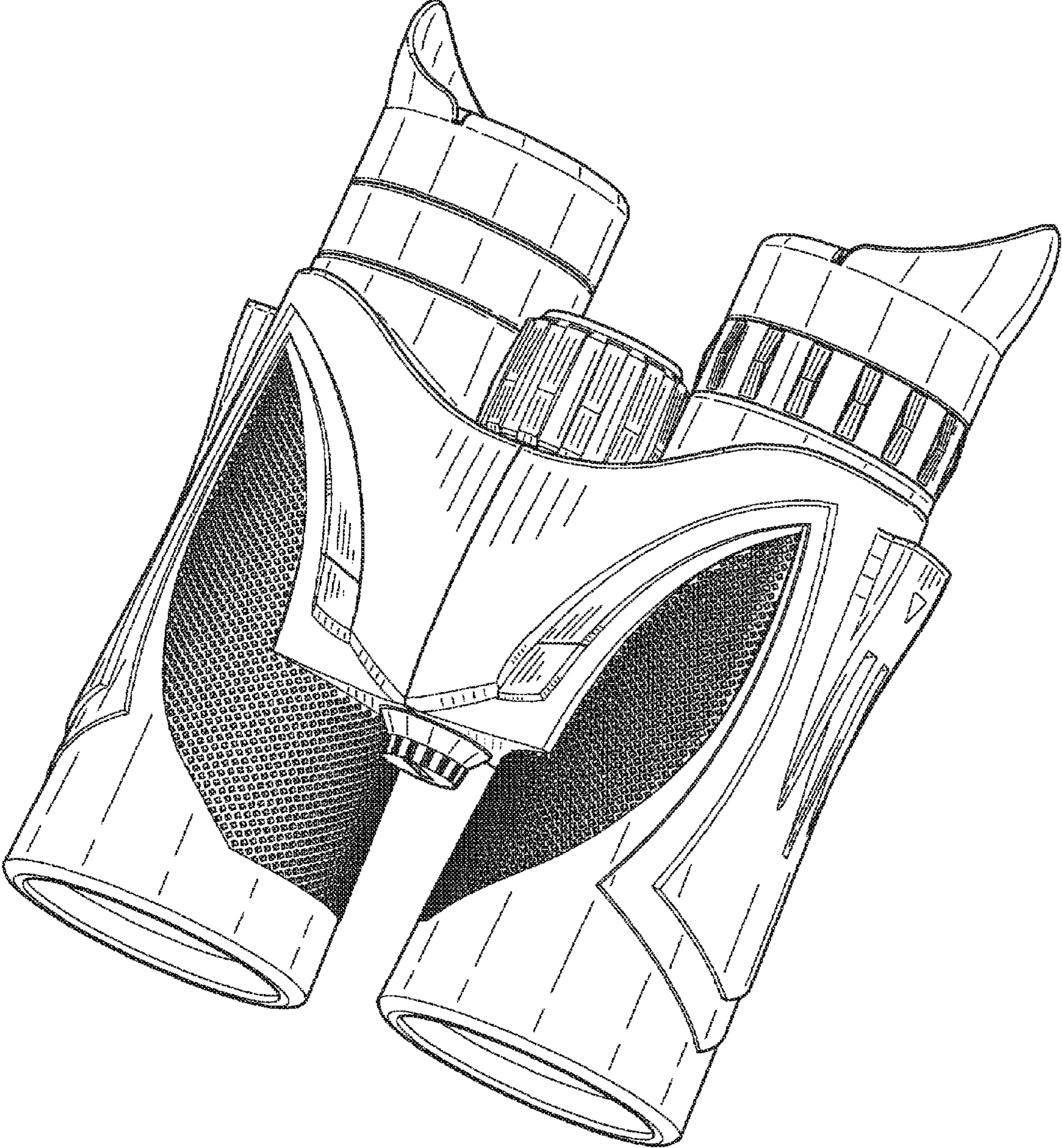


Figure 7