



US00D592689S

(12) **United States Design Patent**
Dunn

(10) **Patent No.:** **US D592,689 S**
(45) **Date of Patent:** **** May 19, 2009**

(54) **DIGITAL MICROSCOPE**

(75) Inventor: **Steven Dunn**, Leawood, KS (US)

(73) Assignee: **Ken-A-Vision Mfg. Co., Inc.**, Kansas City, MO (US)

(**) Term: **14 Years**

(21) Appl. No.: **29/327,044**

(22) Filed: **Oct. 29, 2008**

(51) **LOC (9) Cl.** **16-06**

(52) **U.S. Cl.** **D16/131**

(58) **Field of Classification Search** D16/130,
D16/131, 202, 203; 359/350, 368, 369, 376,
359/377, 379, 380, 381, 383, 385, 388, 390,
359/392, 363, 365, 391; 600/118; 250/311;
D10/104; D21/483

See application file for complete search history.

(56) **References Cited**

U.S. PATENT DOCUMENTS

D198,403	S	*	6/1964	Hoogesteger	D16/131
D301,587	S	*	6/1989	Brock	D16/131
5,052,788	A	*	10/1991	Tachibana	359/391
5,566,020	A	*	10/1996	Bradford et al.	359/390
5,841,576	A	*	11/1998	Aikawa	359/383
6,055,095	A	*	4/2000	Bawolek	359/350
6,337,766	B1	*	1/2002	Fujino	359/383
D457,901	S	*	5/2002	Lo	D16/131

D460,096	S	*	7/2002	Apotheloz	D16/131
D465,799	S	*	11/2002	Asaka et al.	D16/131
D474,217	S	*	5/2003	Suzuki et al.	D16/131
6,636,354	B1	*	10/2003	D'Hooge et al.	359/385
D503,945	S	*	4/2005	Kung	D16/131
D516,595	S	*	3/2006	Apotheloz et al.	D16/131
D525,636	S	*	7/2006	Apotheloz	D16/131
D546,356	S	*	7/2007	Apotheloz	D16/131

* cited by examiner

Primary Examiner—Paula Greene

(74) *Attorney, Agent, or Firm*—Hovey Williams LLP

(57) **CLAIM**

The ornamental design for a digital microscope, as shown and described.

DESCRIPTION

FIG. 1 is an isometric view of a digital microscope showing my new design;

FIG. 2 is a top plan view of a digital microscope, the bottom of the ocular is not part of the claimed design;

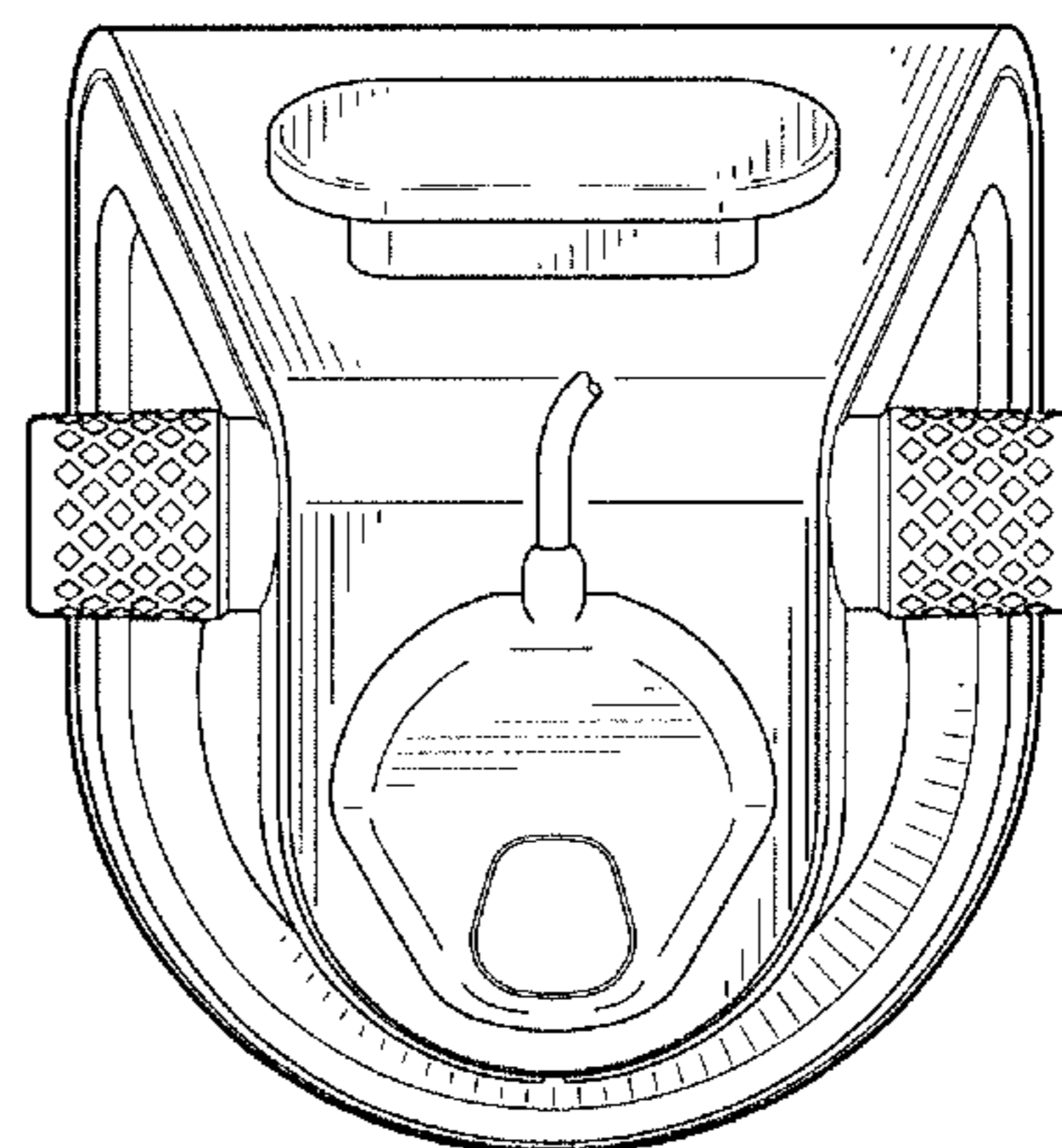
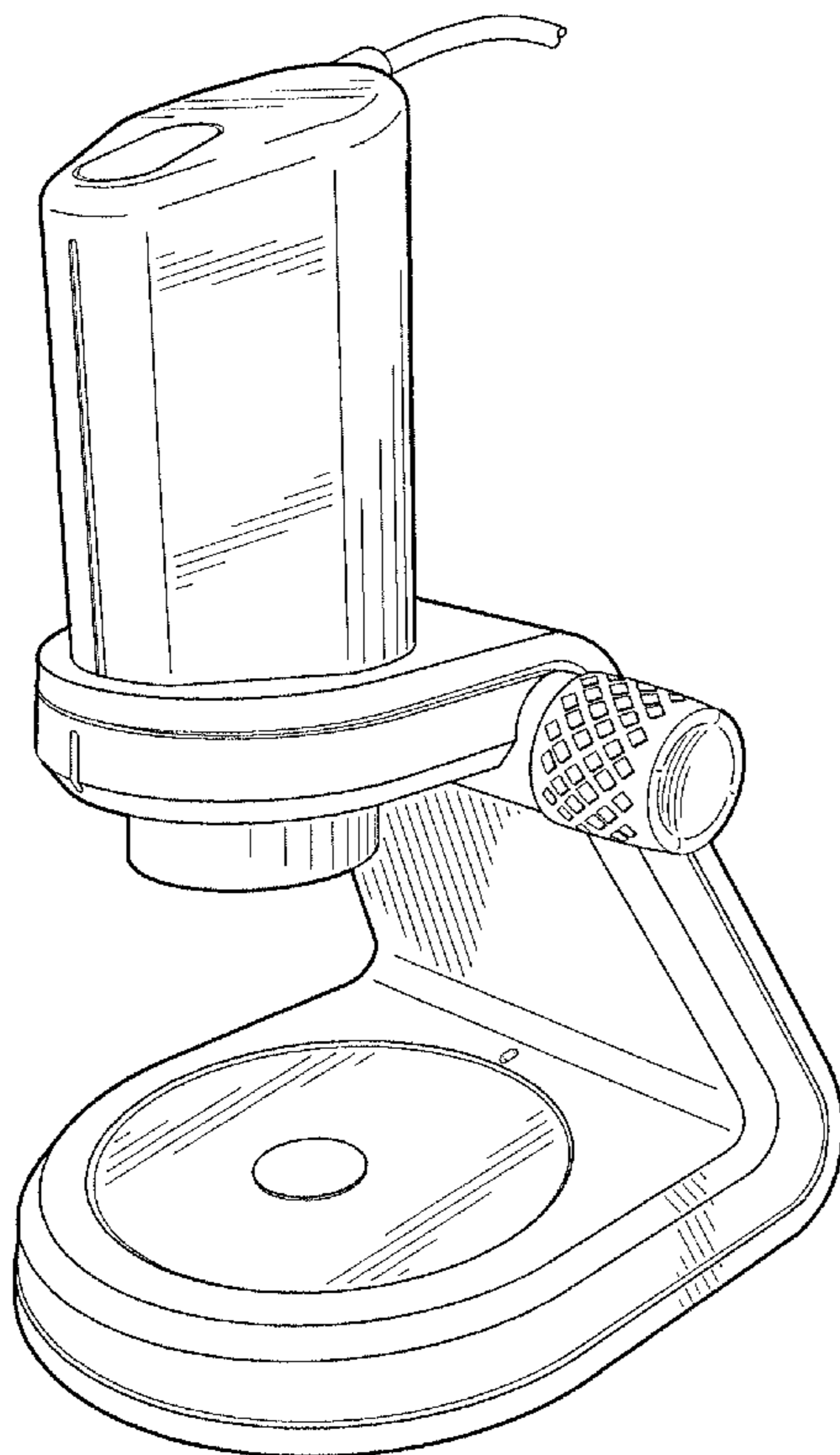
FIG. 3 is front elevational view of the microscope;

FIG. 4 is a side elevational view of a digital microscope the opposite side is a mirror image;

FIG. 5 is a bottom view of the microscope; and,

FIG. 6 is a rear elevational view of the microscope.

1 Claim, 4 Drawing Sheets



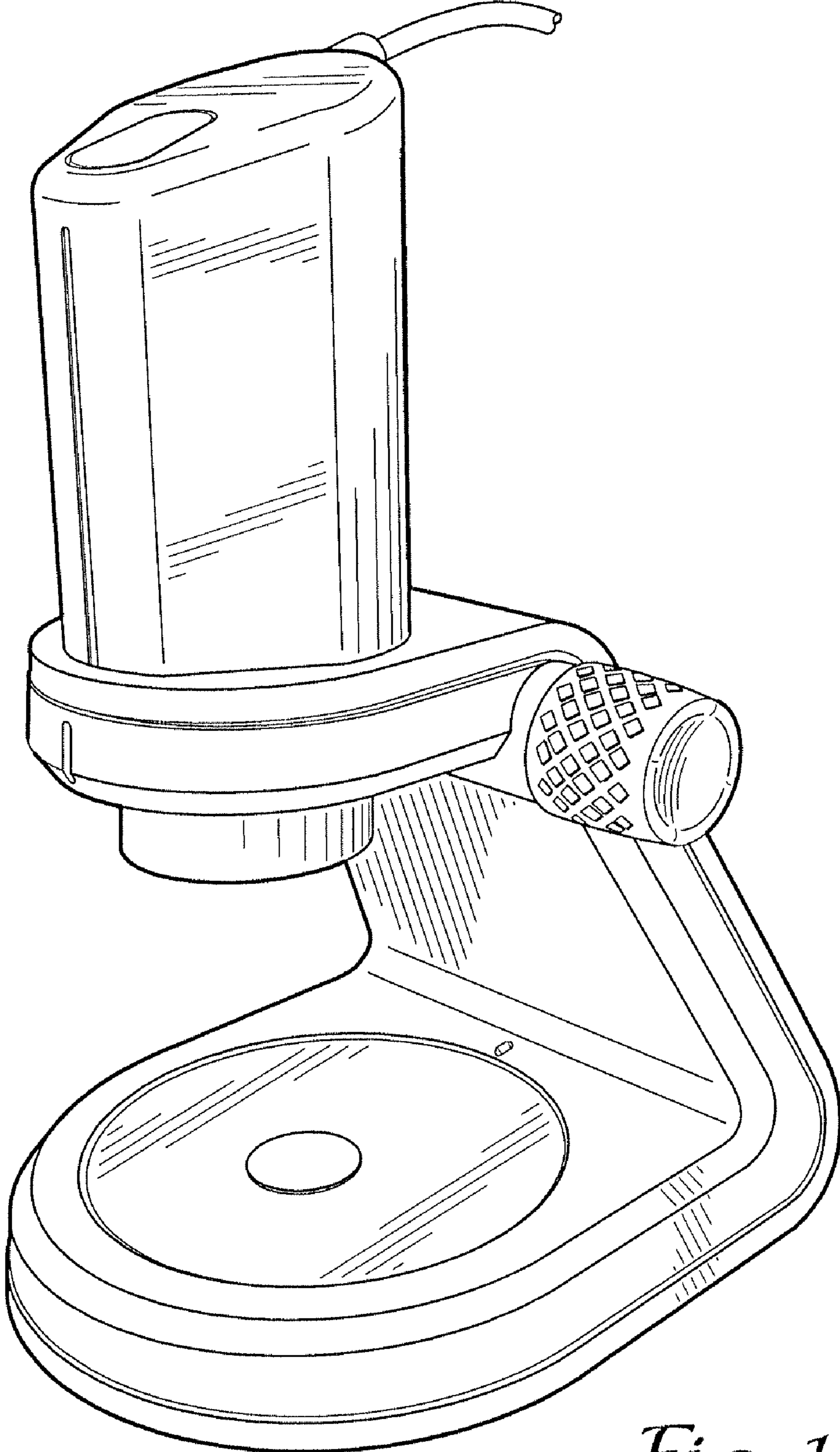


Fig. 1

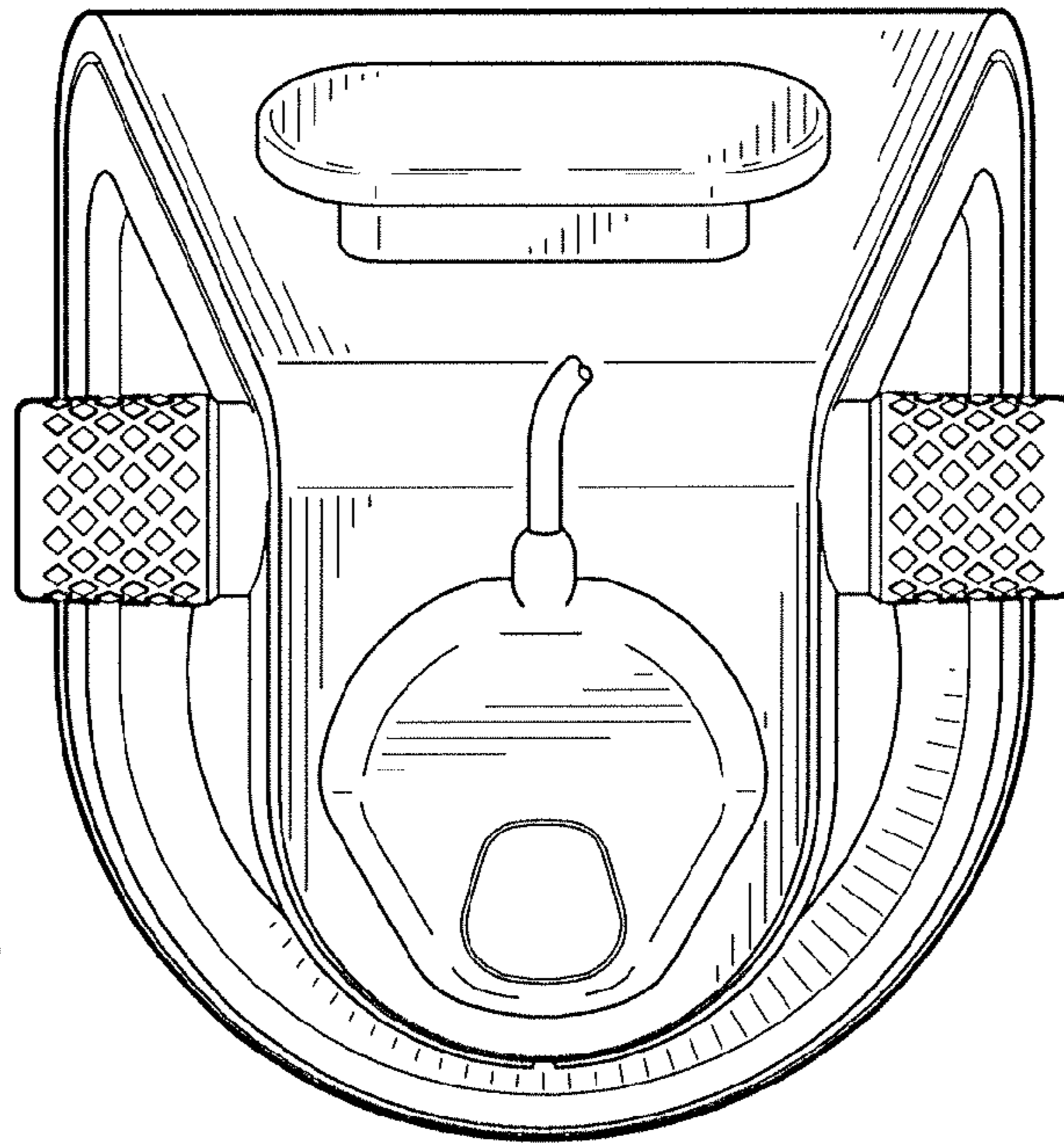


Fig. 2

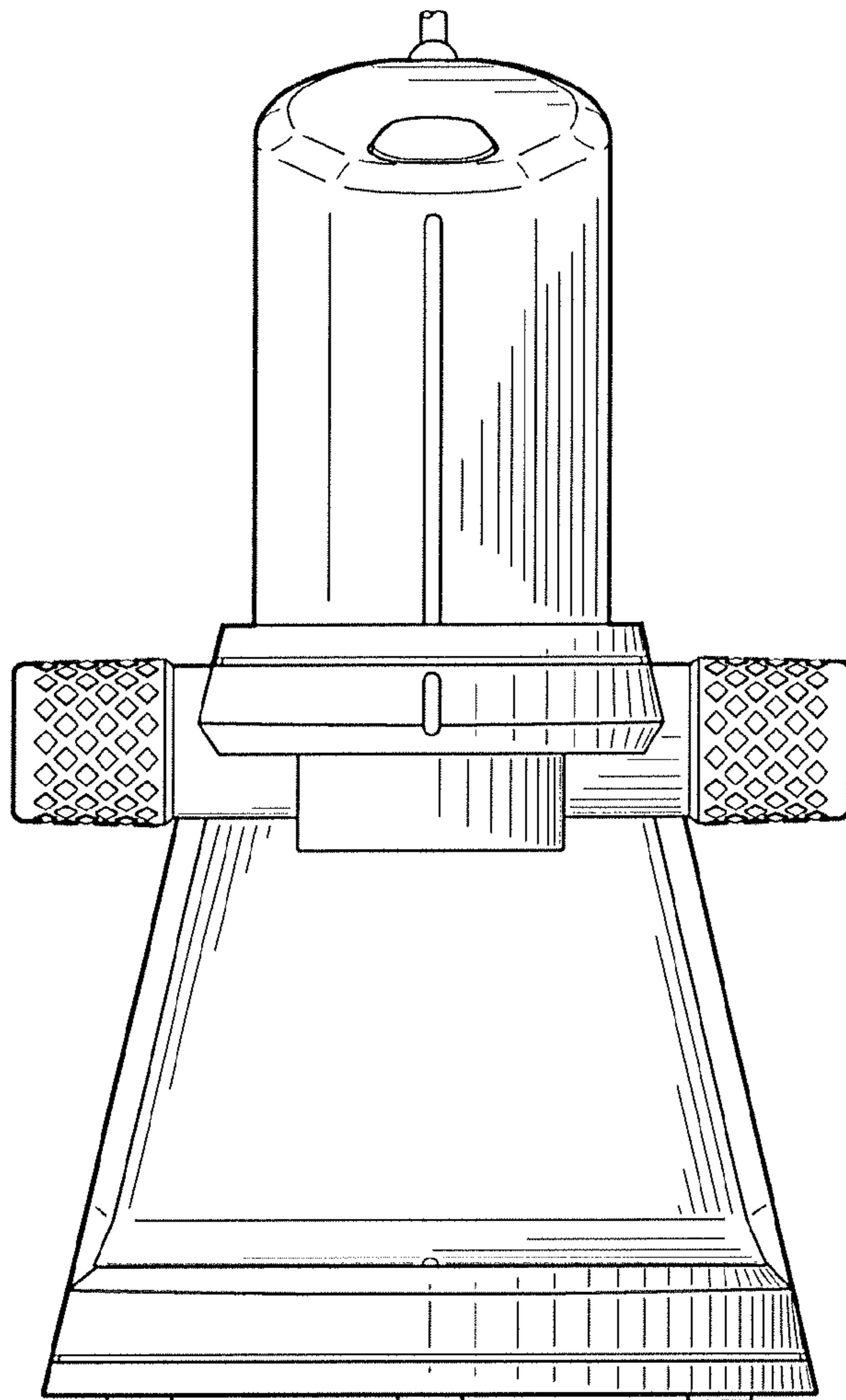


Fig. 3

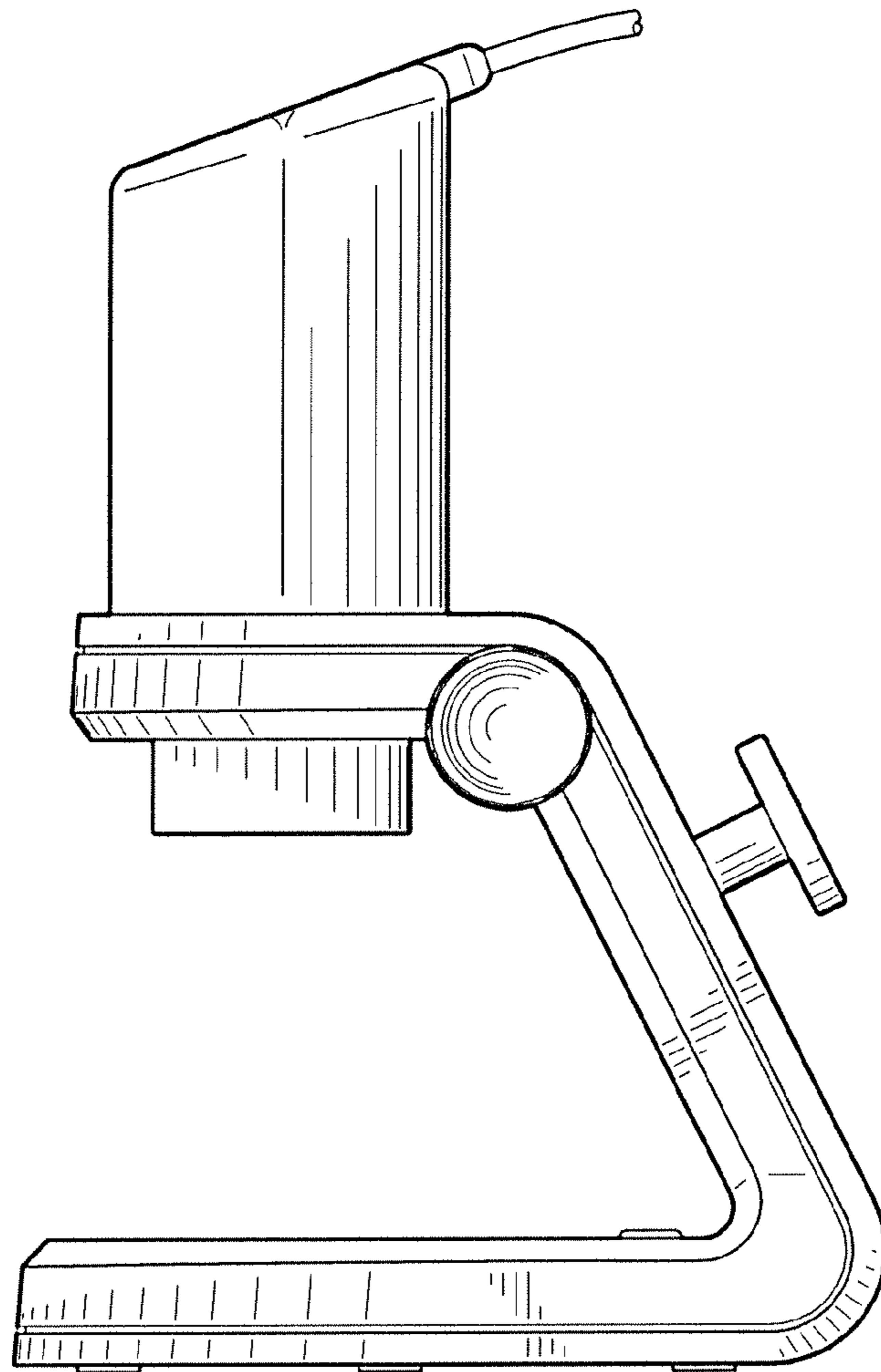


Fig. 4

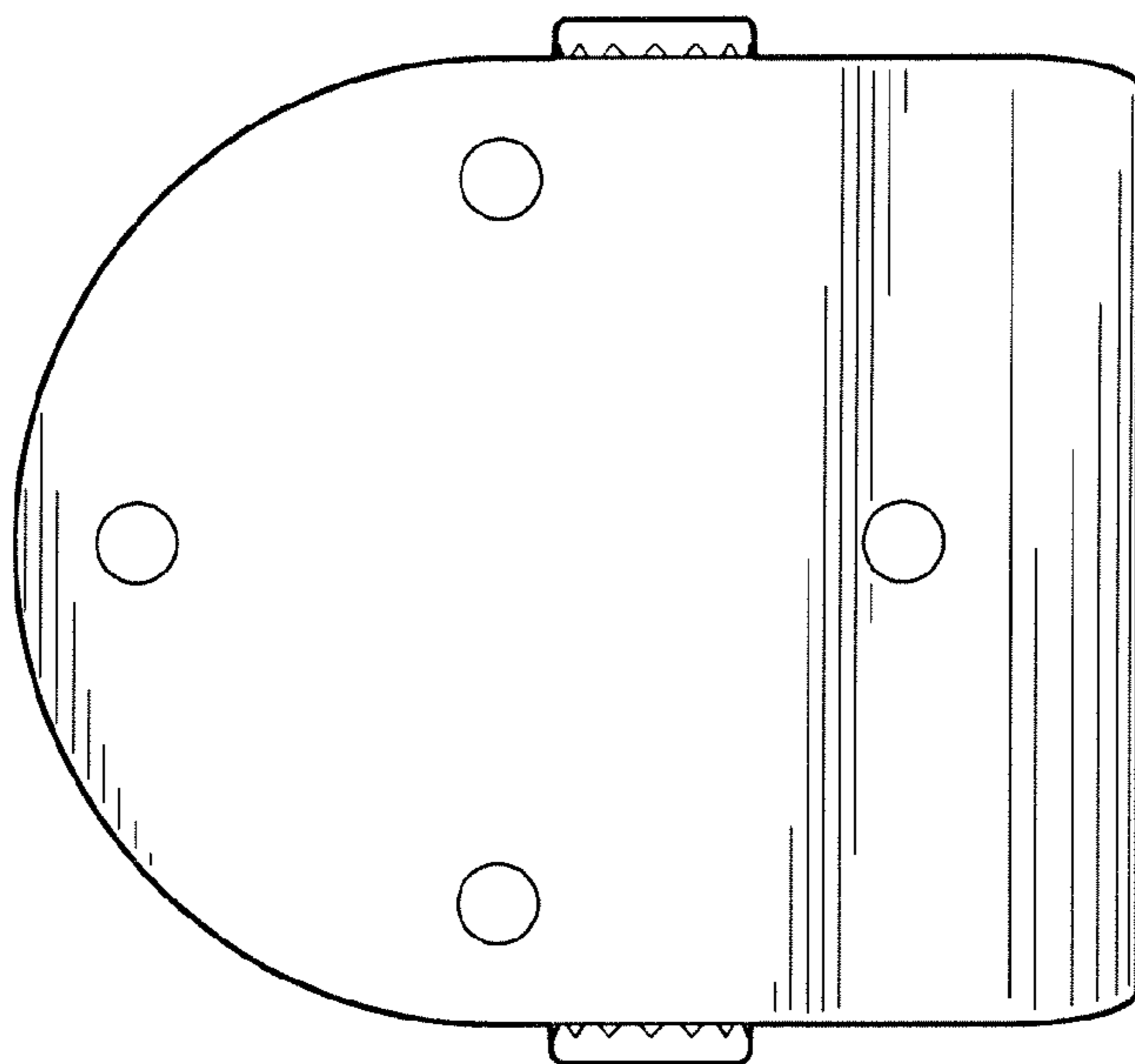


Fig. 5

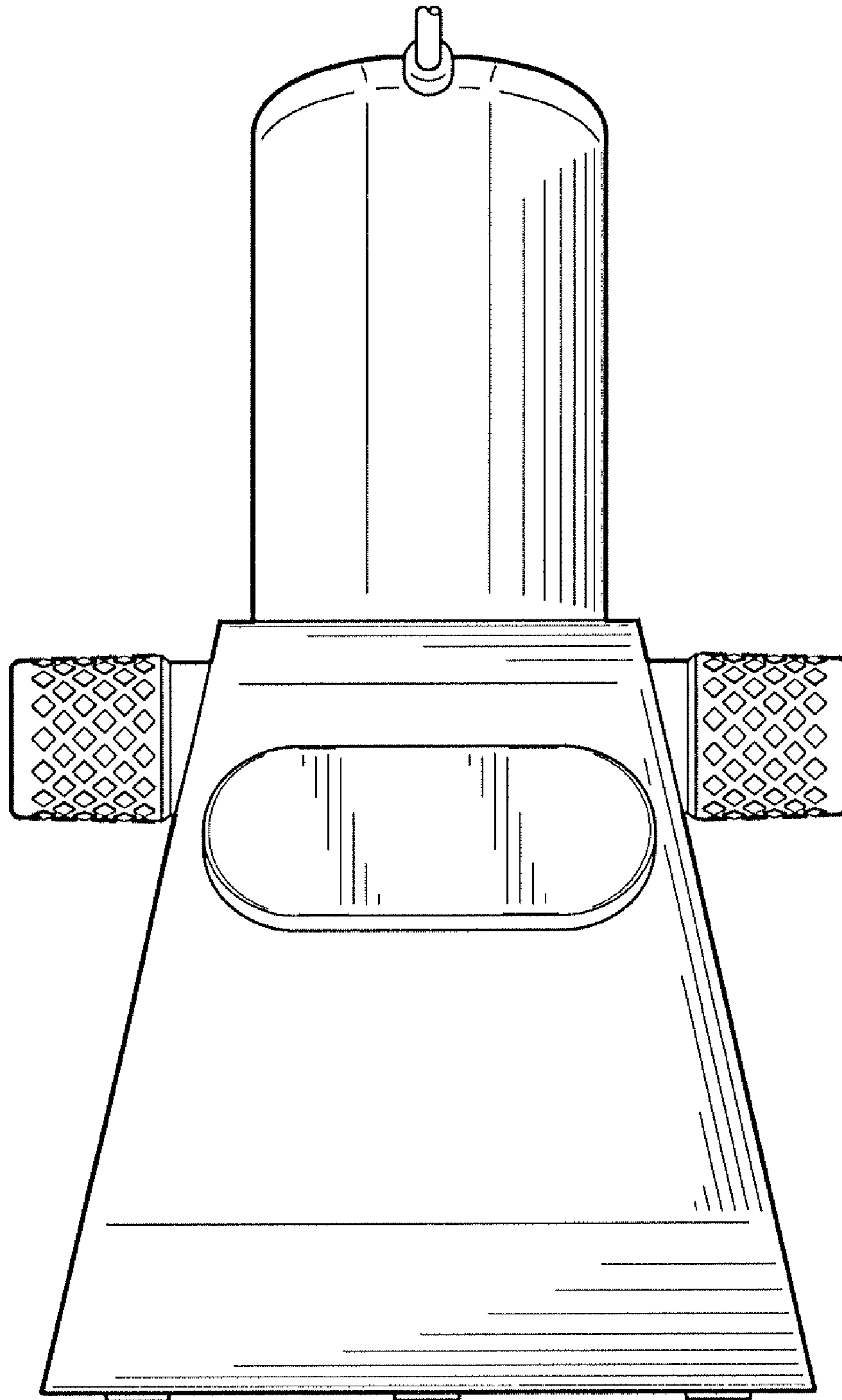


Fig. 6