



US00D592687S

(12) **United States Design Patent**
Salieri

(10) **Patent No.:** **US D592,687 S**
(45) **Date of Patent:** **** May 19, 2009**

- | | |
|---|---|
| (54) PRESS FOR CERAMIC TILES | 3,535,754 A * 10/1970 Walchhutter 425/411 |
| (75) Inventor: Marco Salieri , Bologna (IT) | 3,579,757 A * 5/1971 Mingoti 425/150 |
| (73) Assignee: Sacmi Cooperativa Meccanici Imola | 3,830,615 A * 8/1974 Walchhuetter 425/344 |
| Societa Cooperativa , Bologna (IT) | 4,363,612 A * 12/1982 Walchhutter 425/167 |
| | 6,332,768 B1 * 12/2001 Raio et al. 425/152 |
| | D553,653 S * 10/2007 Kai D15/122 |

(**) Term: **14 Years**

* cited by examiner

(21) Appl. No.: **29/310,243**

Primary Examiner—Sandra Snapp
Assistant Examiner—Patricia Palasik

(22) Filed: **Aug. 5, 2008**

(74) *Attorney, Agent, or Firm*—Collard & Roe, P.C.

Related U.S. Application Data

(63) Continuation-in-part of application No. 29/285,185,
filed on Mar. 23, 2007.

(57) **CLAIM**

The ornamental design for a press for ceramic tiles, as shown
and described.

(30) **Foreign Application Priority Data**

Sep. 27, 2006 (IT) MO2006O0010

DESCRIPTION

(51) **LOC (9) Cl.** **15-09**

FIG. 1 shows a front view of my design for a press for ceramic
tiles;

(52) **U.S. Cl.** **D15/135**

FIG. 2 shows a back view thereof;

(58) **Field of Classification Search** D15/122,

FIG. 3 shows a left side view thereof;

D15/123, 128, 135, 199; 72/453.04, 454;

FIG. 4 shows a right side view thereof;

100/269.08; 174/DIG. 13, DIG. 31; 425/149,

FIG. 5 shows a top view thereof; and,

425/167, 344, 419, 420, 457, 521

FIG. 6 shows a front perspective view thereof.

See application file for complete search history.

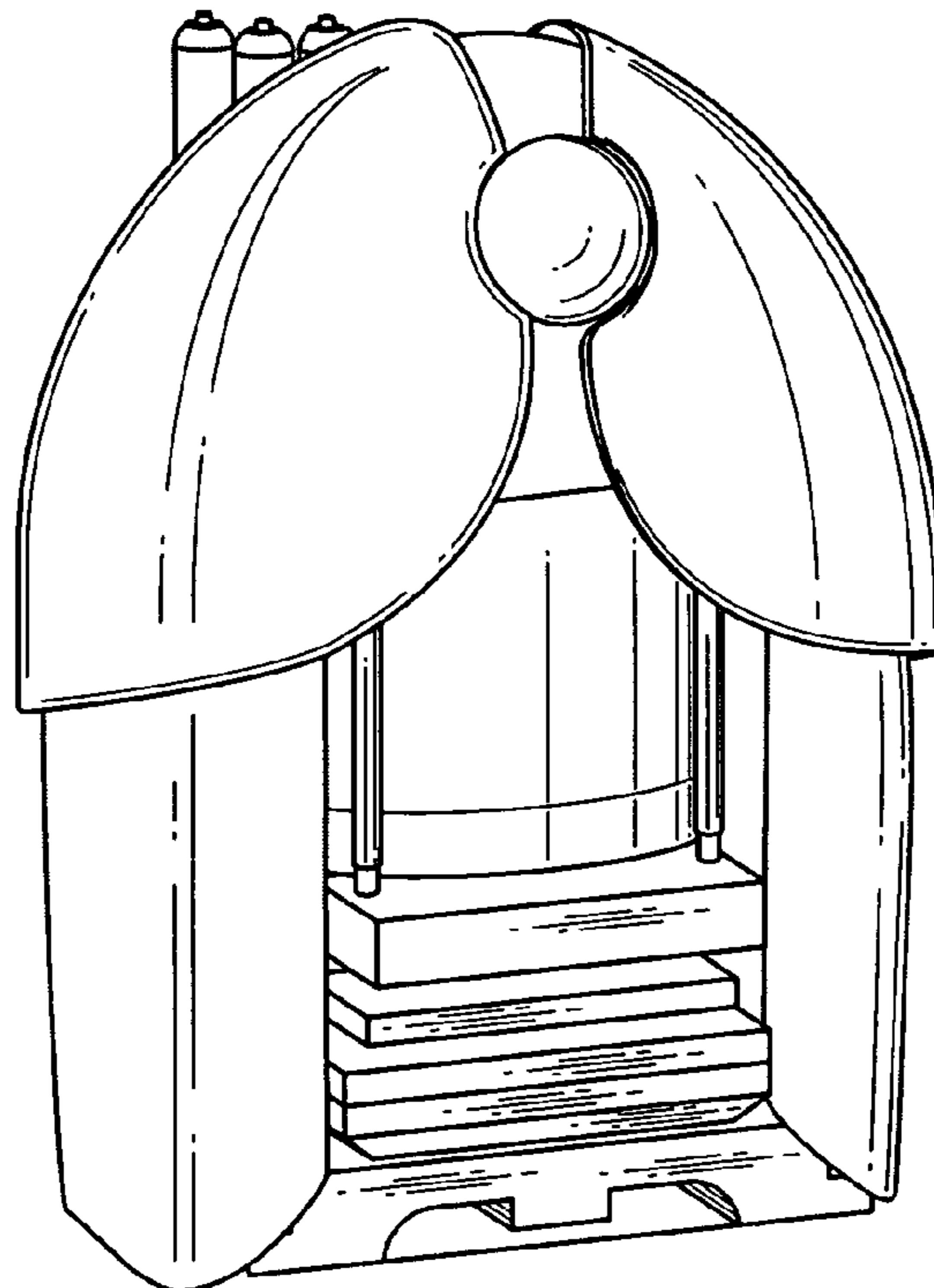
The areas shown in broken lines form no part of the claimed
invention.

(56) **References Cited**

U.S. PATENT DOCUMENTS

3,380,117 A * 4/1968 Gluck 425/167

1 Claim, 3 Drawing Sheets



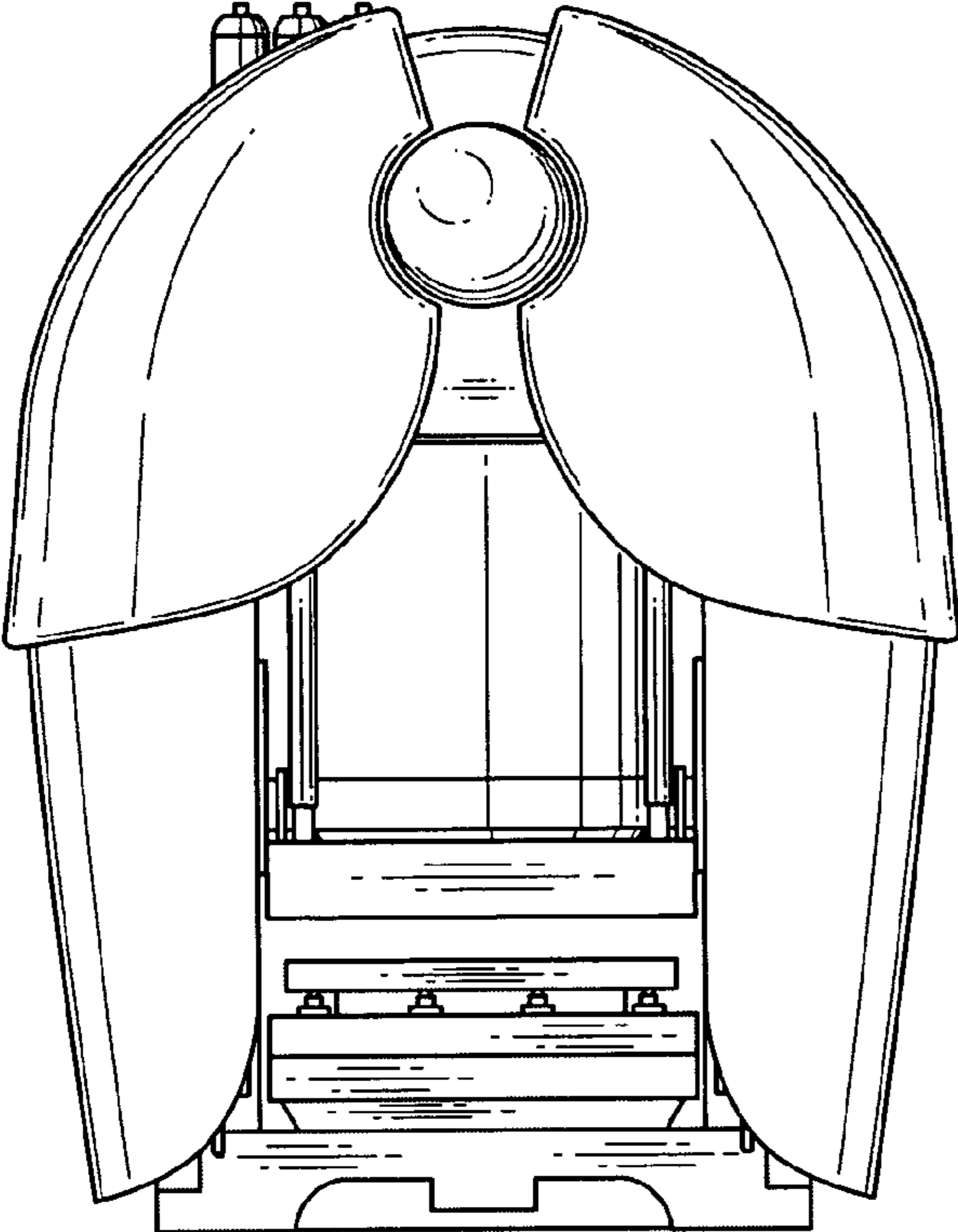


FIG. 1

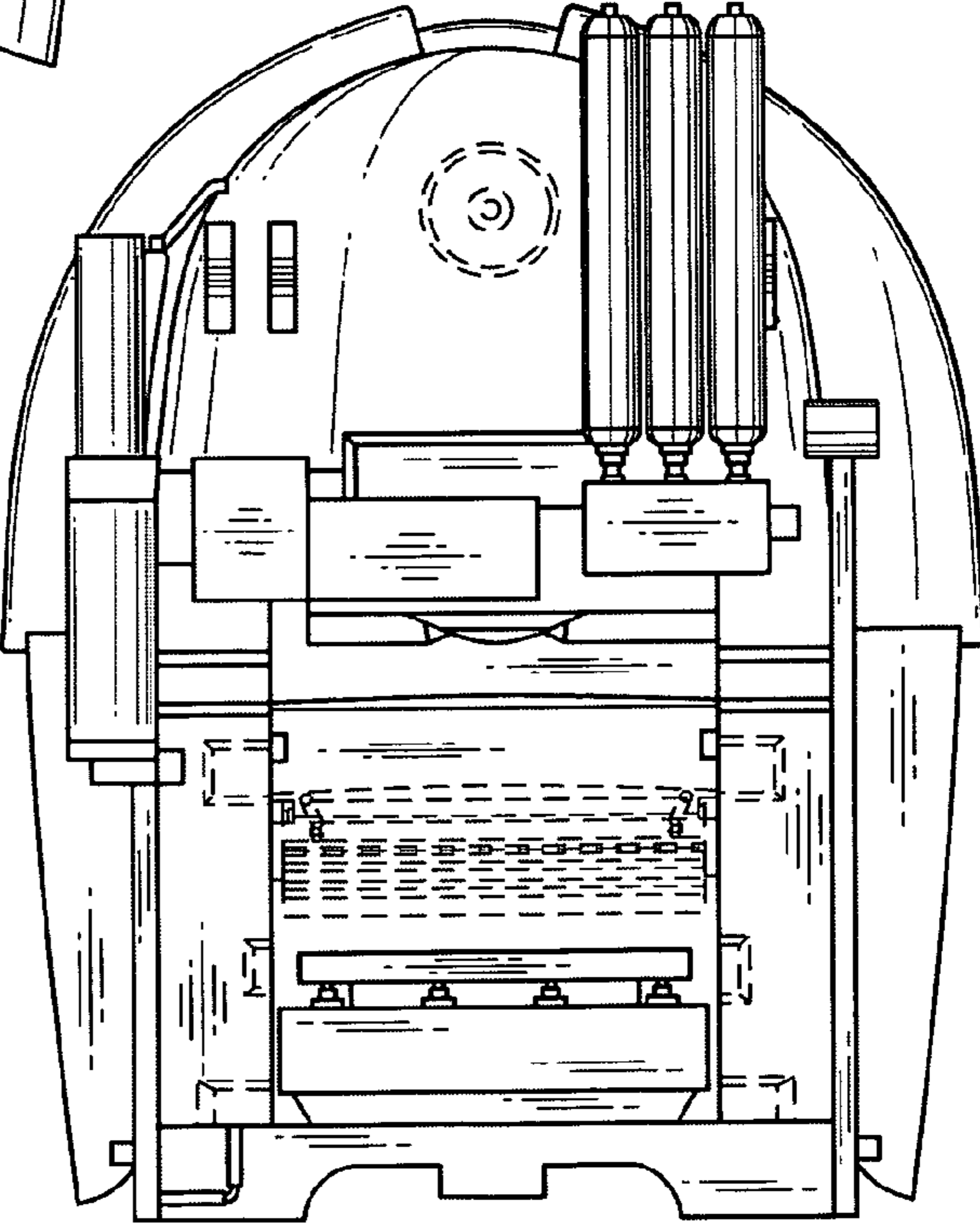


FIG. 2

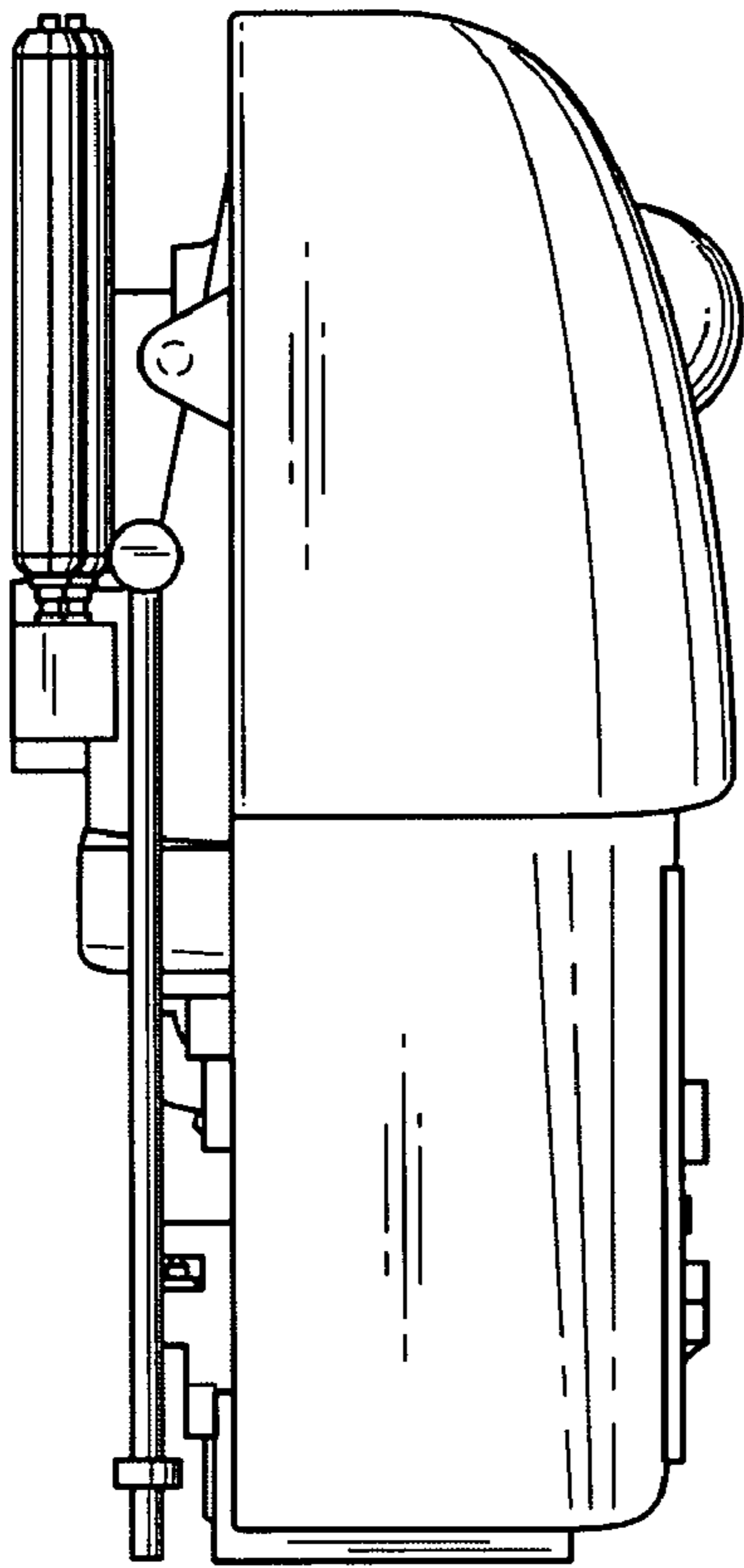


FIG. 3

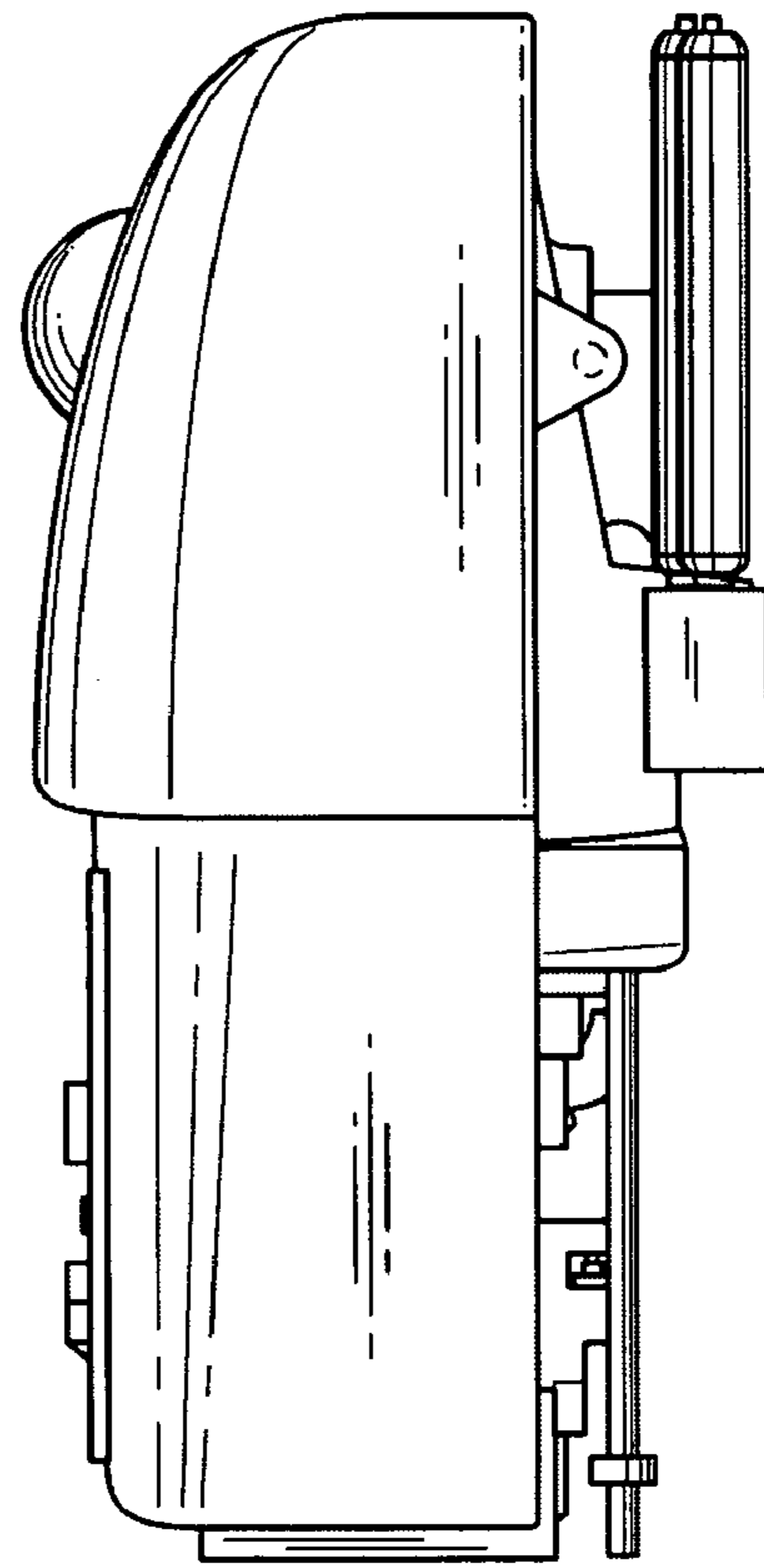


FIG. 4

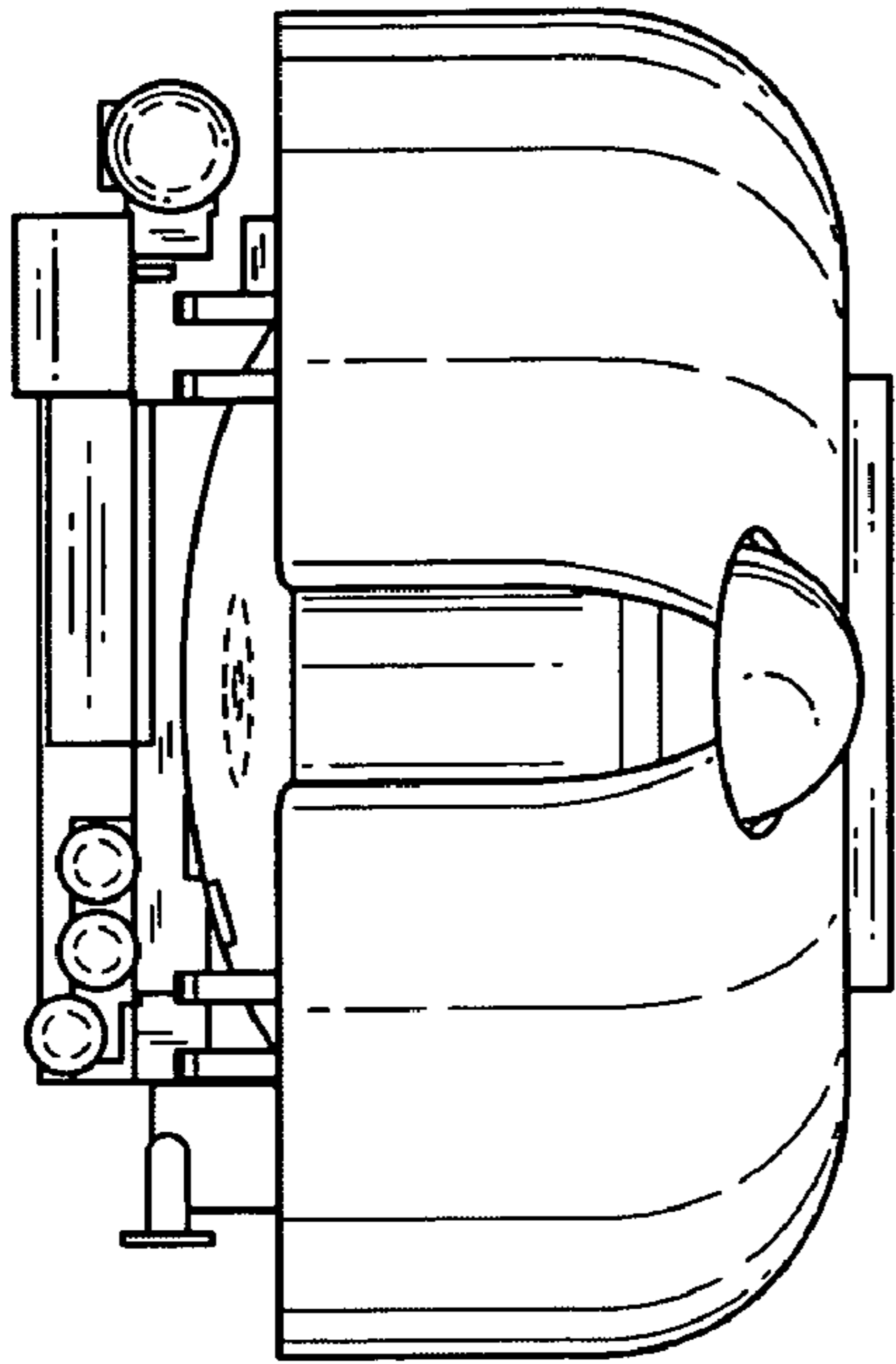


FIG. 5

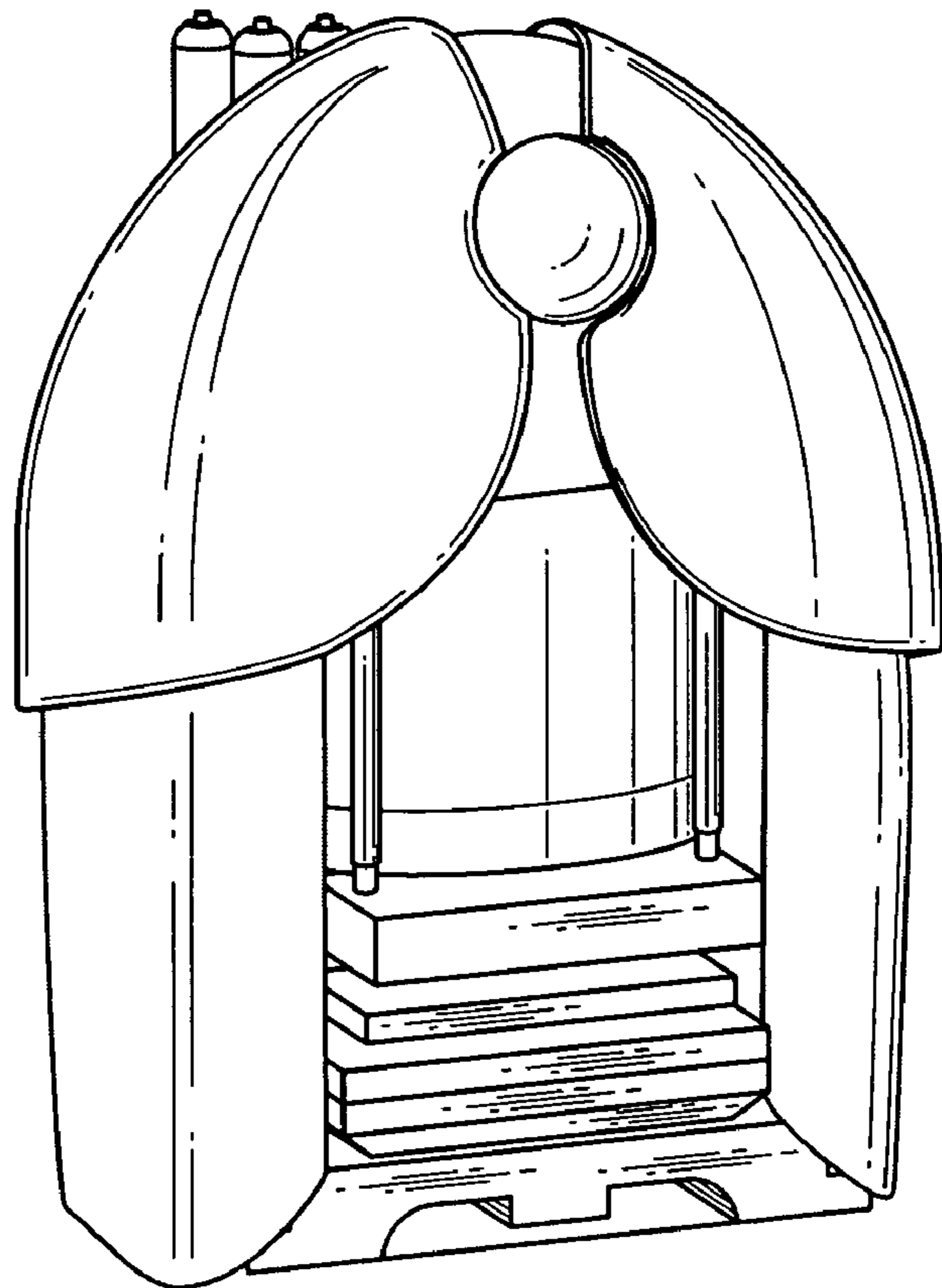


FIG. 6