



US00D592682S

(12) **United States Design Patent**
Haubrich et al.

(10) **Patent No.:** **US D592,682 S**

(45) **Date of Patent:** **** May 19, 2009**

(54) **REFUSE COMPACTOR**

(75) Inventors: **Thomas Haubrich**, Godenroth (DE);
Theo Dotsch, Koblenz (DE)

(73) Assignee: **BOMAG GmbH**, Boppard (DE)

(**) Term: **14 Years**

(21) Appl. No.: **29/274,988**

(22) Filed: **Jun. 15, 2007**

(30) **Foreign Application Priority Data**

Dec. 15, 2006 (EM) 000638317-0002

(51) **LOC (9) Cl.** **15-03**

(52) **U.S. Cl.** **D15/20**

(58) **Field of Classification Search** D15/10,
D15/22-28, 33; 180/12, 20, 89.12; 172/115;
404/121, 122, 124, 125, 128, 129; 405/271;
296/190.1, 190.01, 190.08

See application file for complete search history.

(56) **References Cited**

U.S. PATENT DOCUMENTS

2,495,310	A *	1/1950	Armington	172/149
2,510,817	A *	6/1950	Greiner et al.	404/125
3,183,804	A *	5/1965	Letourneau	404/121
3,259,036	A *	7/1966	Peterson et al.	404/121
3,269,285	A *	8/1966	Lathers	404/124
D207,532	S *	5/1967	Garis et al.	D15/20
D208,694	S *	9/1967	Harbke	D15/20
D208,996	S *	10/1967	Caron et al.	D15/20
3,412,659	A *	11/1968	Harbke et al.	404/121
3,450,013	A *	6/1969	Peterson	404/128
3,601,212	A *	8/1971	Peterson et al.	180/9.44
3,650,185	A *	3/1972	Takata	404/121
3,866,781	A *	2/1975	Stedman et al.	414/715
D247,037	S *	1/1978	Smith, Jr.	D15/23
4,379,568	A *	4/1983	Kerkman	280/400

4,402,377	A *	9/1983	Brooks et al.	180/197
4,714,140	A *	12/1987	Hatton et al.	180/20
D326,858	S *	6/1992	Skeel et al.	D15/25
5,676,493	A *	10/1997	Brockway	405/271
5,967,242	A *	10/1999	Caron et al.	172/817
6,217,255	B1 *	4/2001	Knell et al.	404/129
D500,329	S *	12/2004	Bauve et al.	D15/28
D514,596	S *	2/2006	Radke	D15/25
D516,094	S *	2/2006	Dotsch et al.	D15/20
7,163,354	B2 *	1/2007	Runestad	404/129
D540,352	S *	4/2007	Sato et al.	D15/25
D549,738	S *	8/2007	Hiraoka et al.	D15/25
2006/0070533	A1 *	4/2006	Silcock et al.	100/100

* cited by examiner

Primary Examiner—Stella M Reid

Assistant Examiner—Mark A Goodwin

(74) *Attorney, Agent, or Firm*—Baker & Hostetler LLP

(57) **CLAIM**

The ornamental design for a refuse compactor, as shown and described.

DESCRIPTION

FIG. 1 is a perspective view of a refuse compactor showing our new design;

FIG. 2 is a right side view thereof;

FIG. 3 is a left side view thereof;

FIG. 4 is a front view thereof;

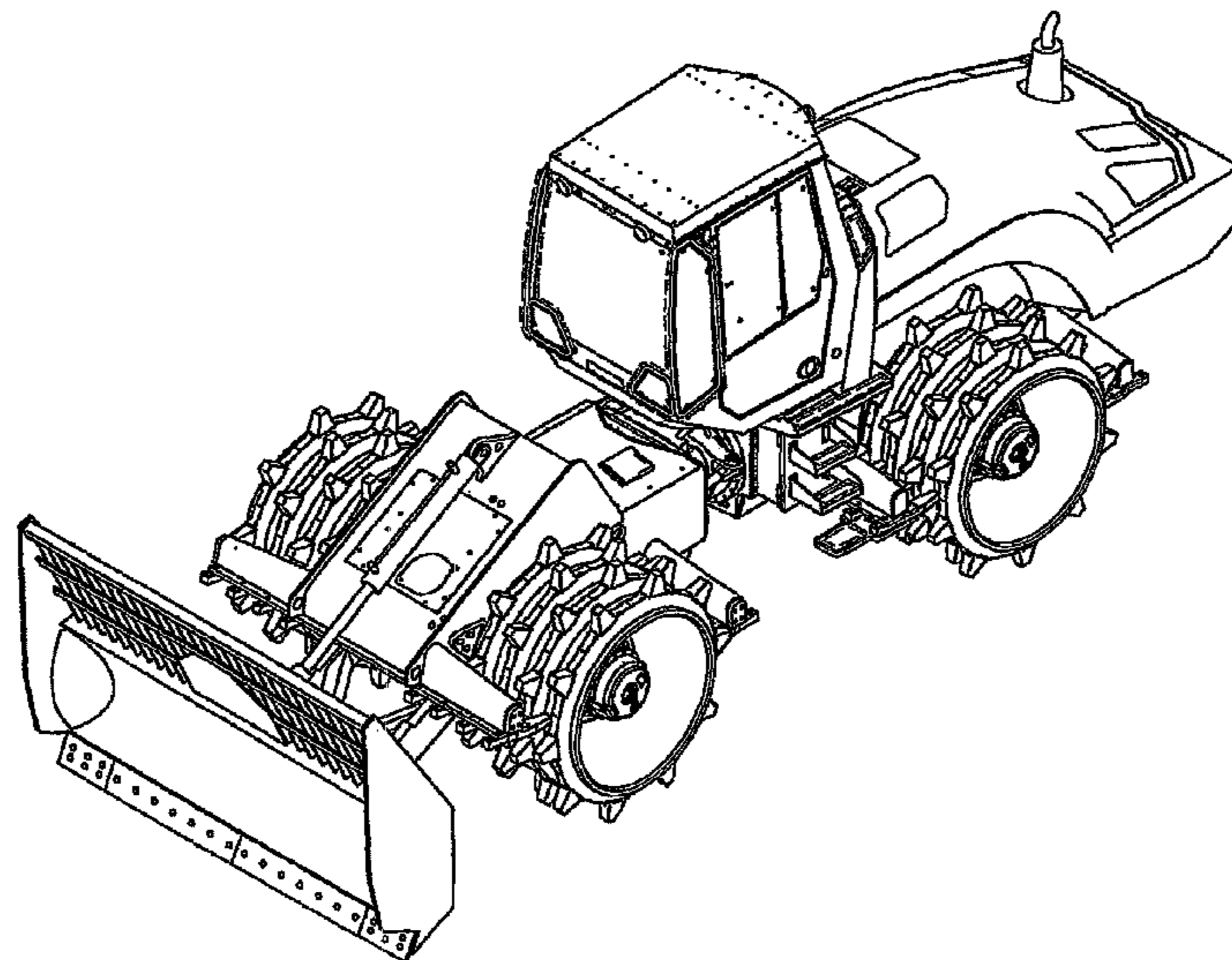
FIG. 5 is a back view thereof;

FIG. 6 is a top view thereof; and,

FIG. 7 is a bottom view thereof.

The broken line showing of the outline of the mesh screens around the cab in FIGS. 1-4, and 6, and the tread portions of the steps in FIGS. 1 and 6 is included for the purpose of illustrating environmental structure and forms no part of the claimed design.

1 Claim, 7 Drawing Sheets



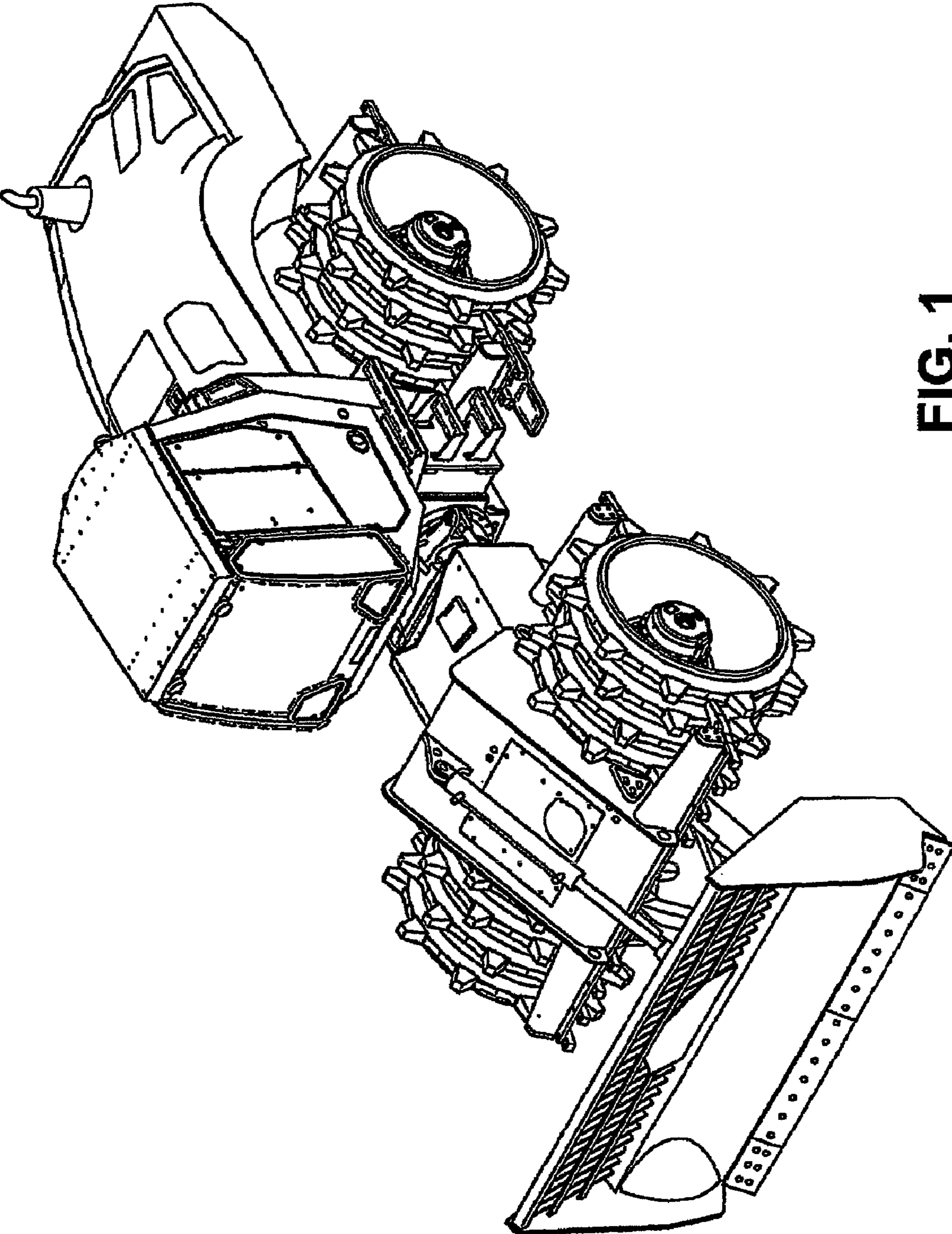


FIG. 1

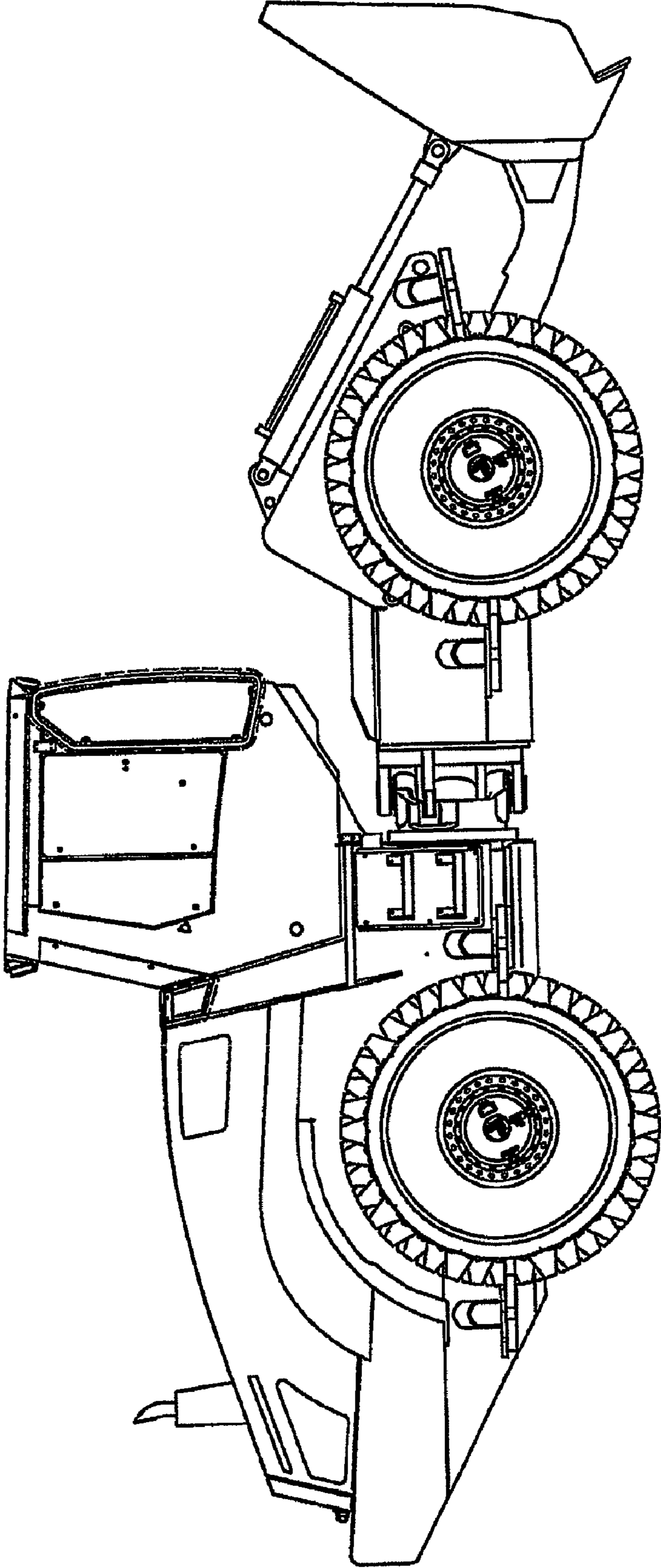


FIG. 2

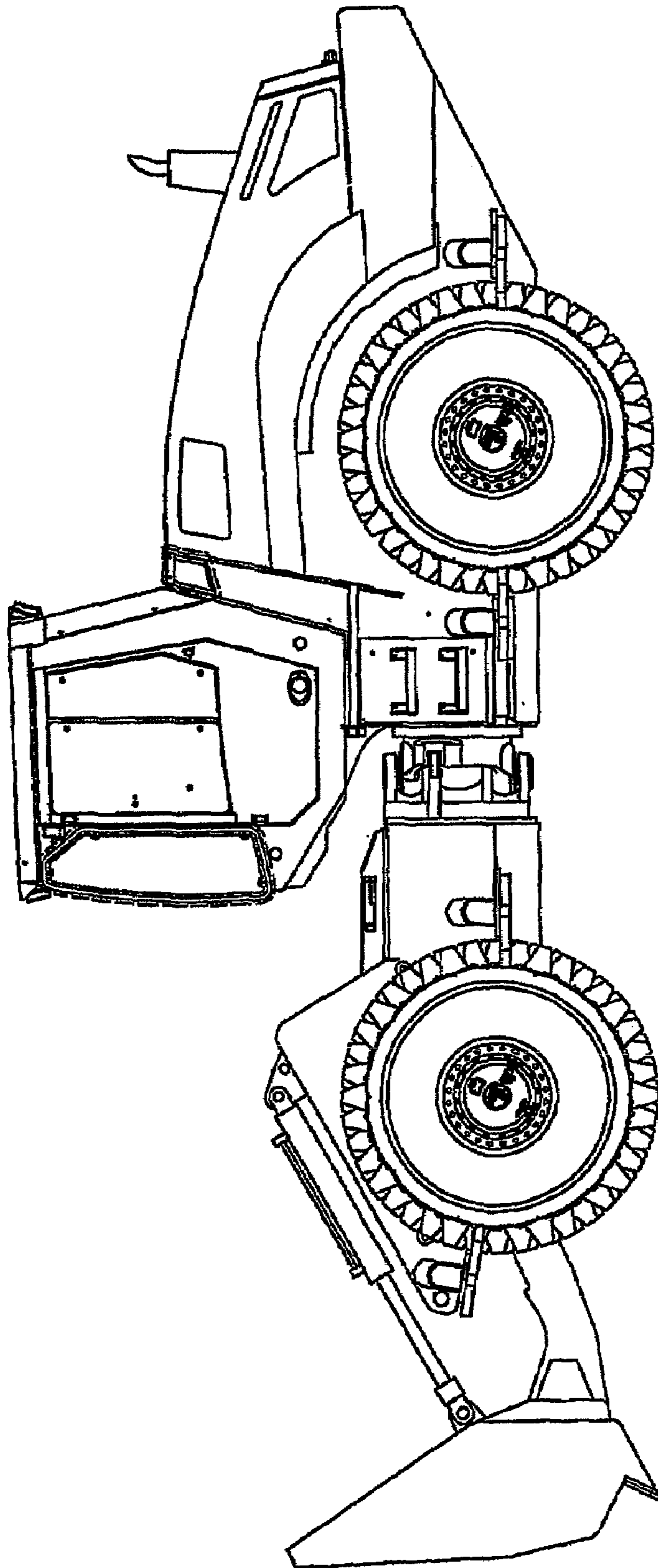


FIG. 3

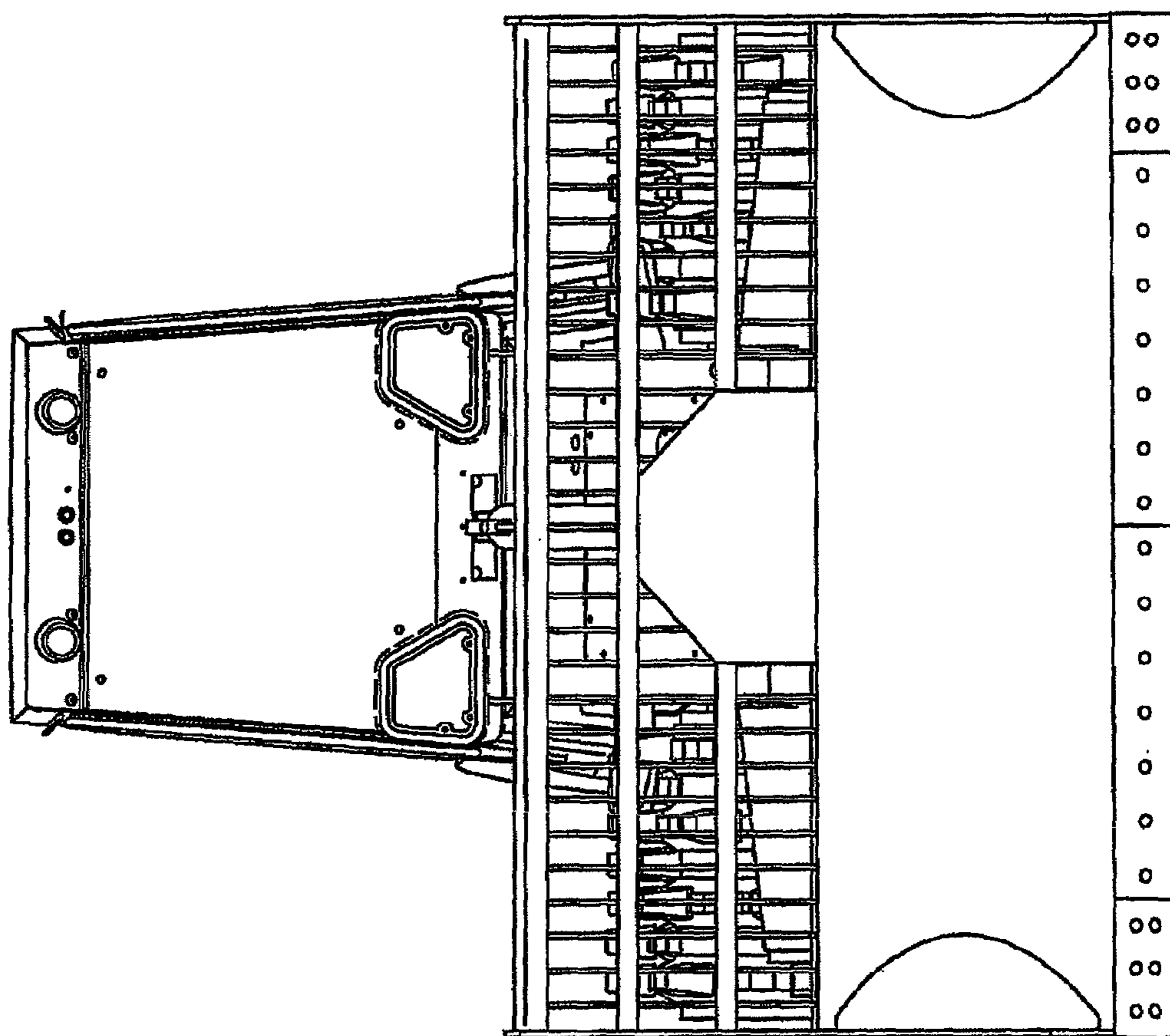


FIG. 4

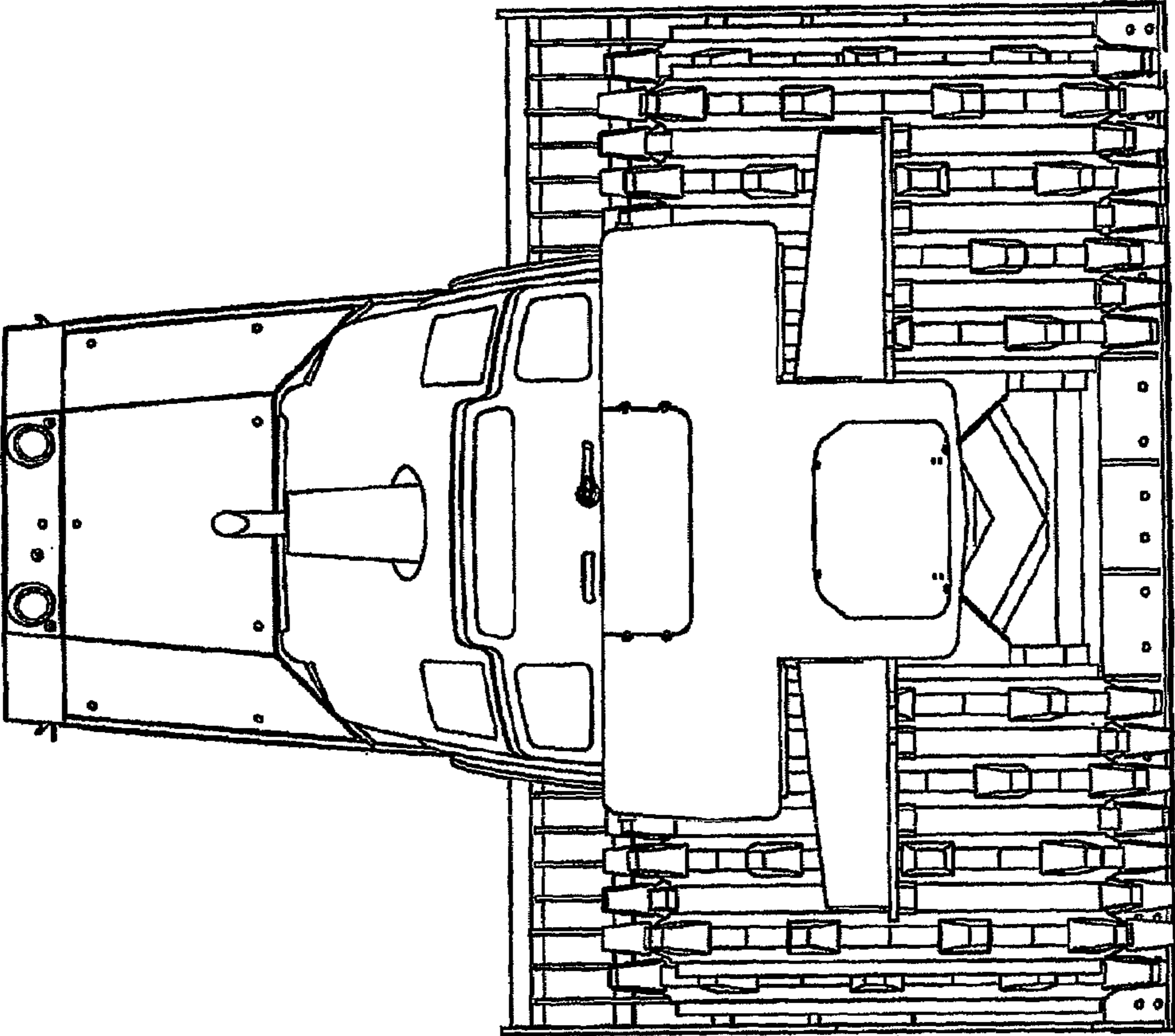


FIG. 5

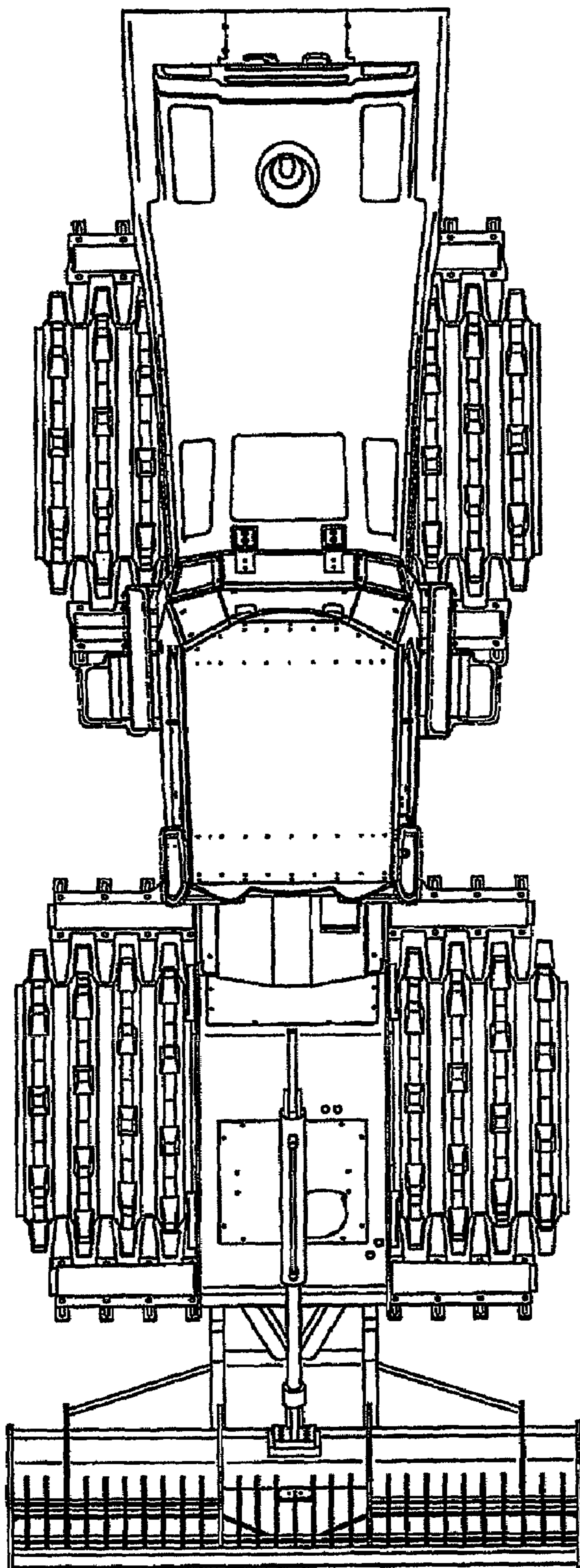


FIG. 6

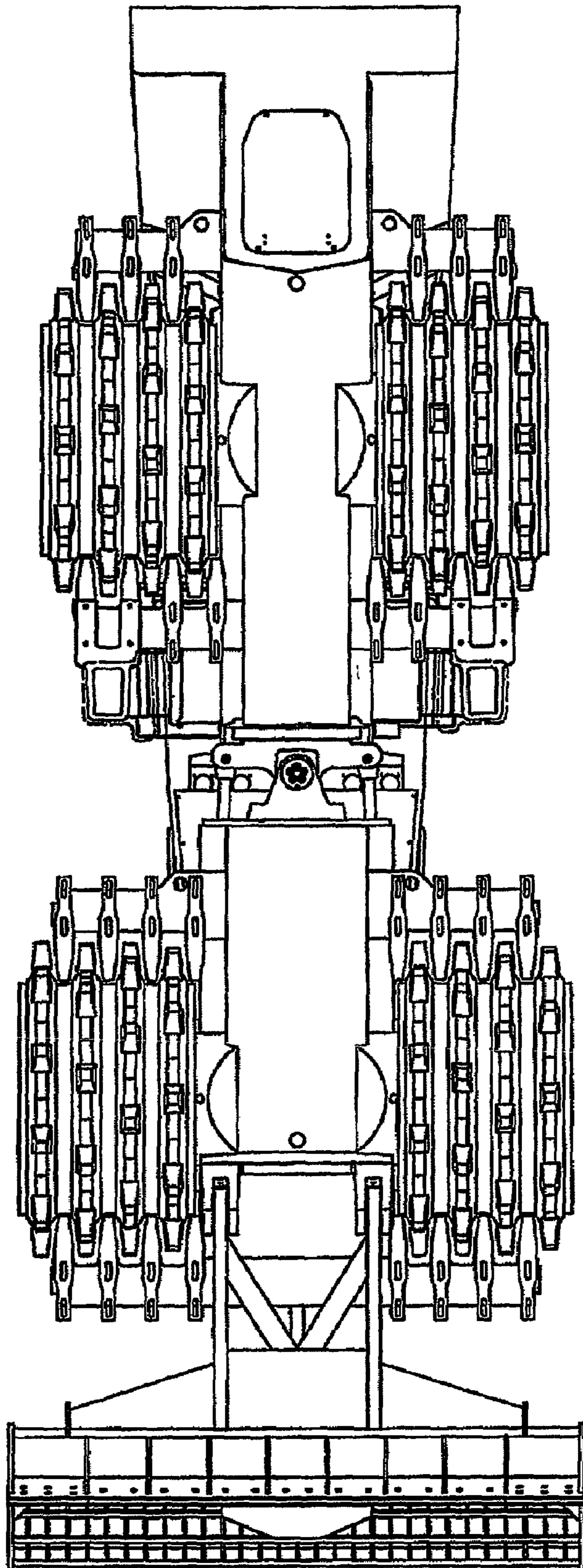


FIG. 7