

US00D592680S

(12) **United States Design Patent**
Ogawa

(10) **Patent No.:** **US D592,680 S**

(45) **Date of Patent:** **** May 19, 2009**

(54) **VACUUM REGULATOR**

D291,807 S * 9/1987 Yew et al. D15/5
D370,017 S * 5/1996 Tsai D15/5

(75) Inventor: **Kazuo Ogawa**, Tsukubamirai (JP)

* cited by examiner

(73) Assignee: **SMC Corporation**, Chiyoda-ku, Tokyo (JP)

Primary Examiner—Lisa P Lichtenstein
(74) *Attorney, Agent, or Firm*—Yokoi & Co., U.S.A., Inc.

(**) Term: **14 Years**

(57) **CLAIM**

(21) Appl. No.: **29/308,075**

The ornamental design for a vacuum regulator, as shown and described.

(22) Filed: **May 27, 2008**

DESCRIPTION

(30) **Foreign Application Priority Data**

Nov. 30, 2007 (JP) 2007-032820

FIG. 1 shows a front view of a vacuum regulator showing my new design;

(51) **LOC (9) Cl.** **15-01**

FIG. 2 shows a rear view thereof;

(52) **U.S. Cl.** **D15/5**

FIG. 3 shows a top view thereof;

(58) **Field of Classification Search** D15/1-5;
73/753; 123/41.67, 198 E, 572-574

FIG. 4 shows a bottom view thereof;

FIG. 5 shows a left side view thereof;

FIG. 6 shows a right side view thereof;

See application file for complete search history.

FIG. 7 shows a top, front and right side perspective view thereof; and,

FIG. 8 shows a top, rear and right side perspective view thereof.

(56) **References Cited**

U.S. PATENT DOCUMENTS

D289,401 S * 4/1987 Yew et al. D15/5

1 Claim, 4 Drawing Sheets

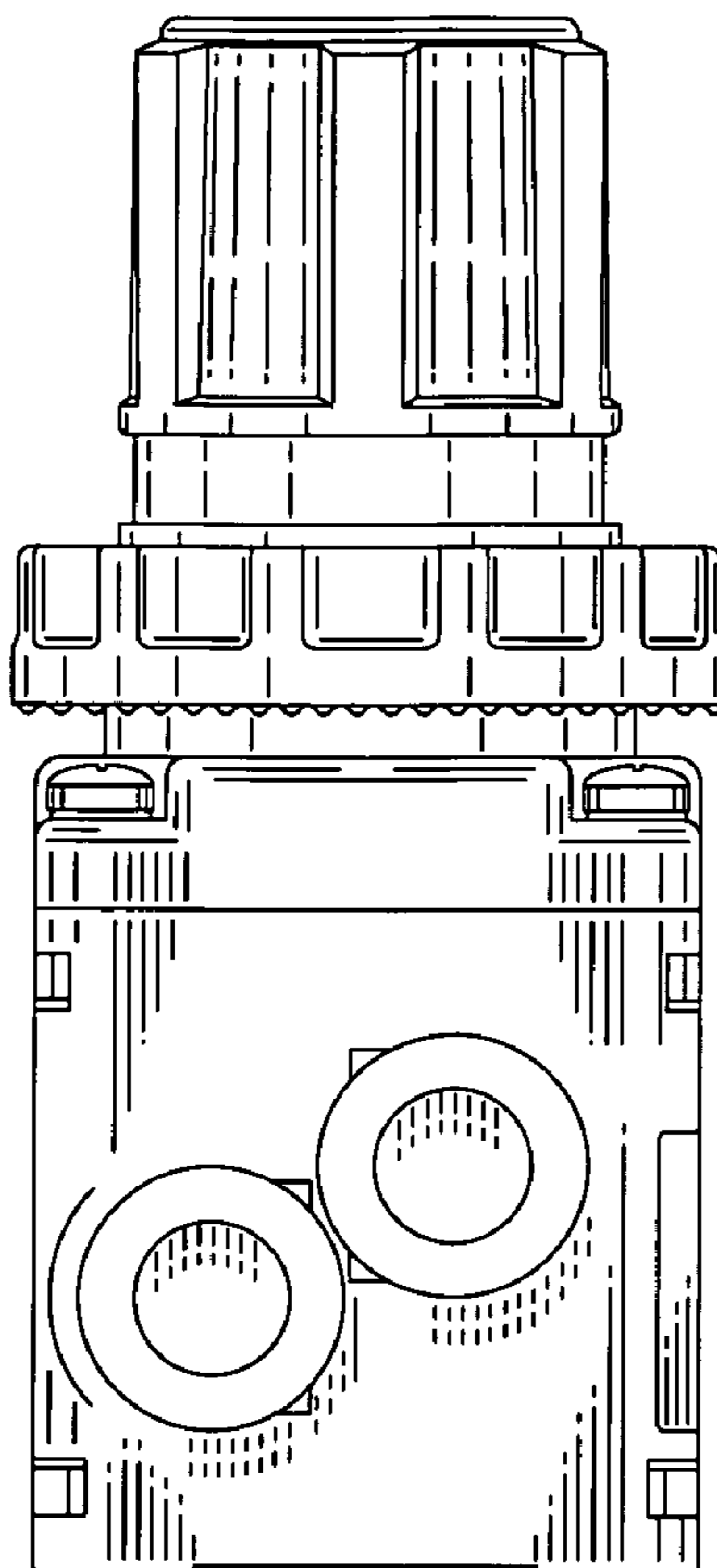


Fig. 1

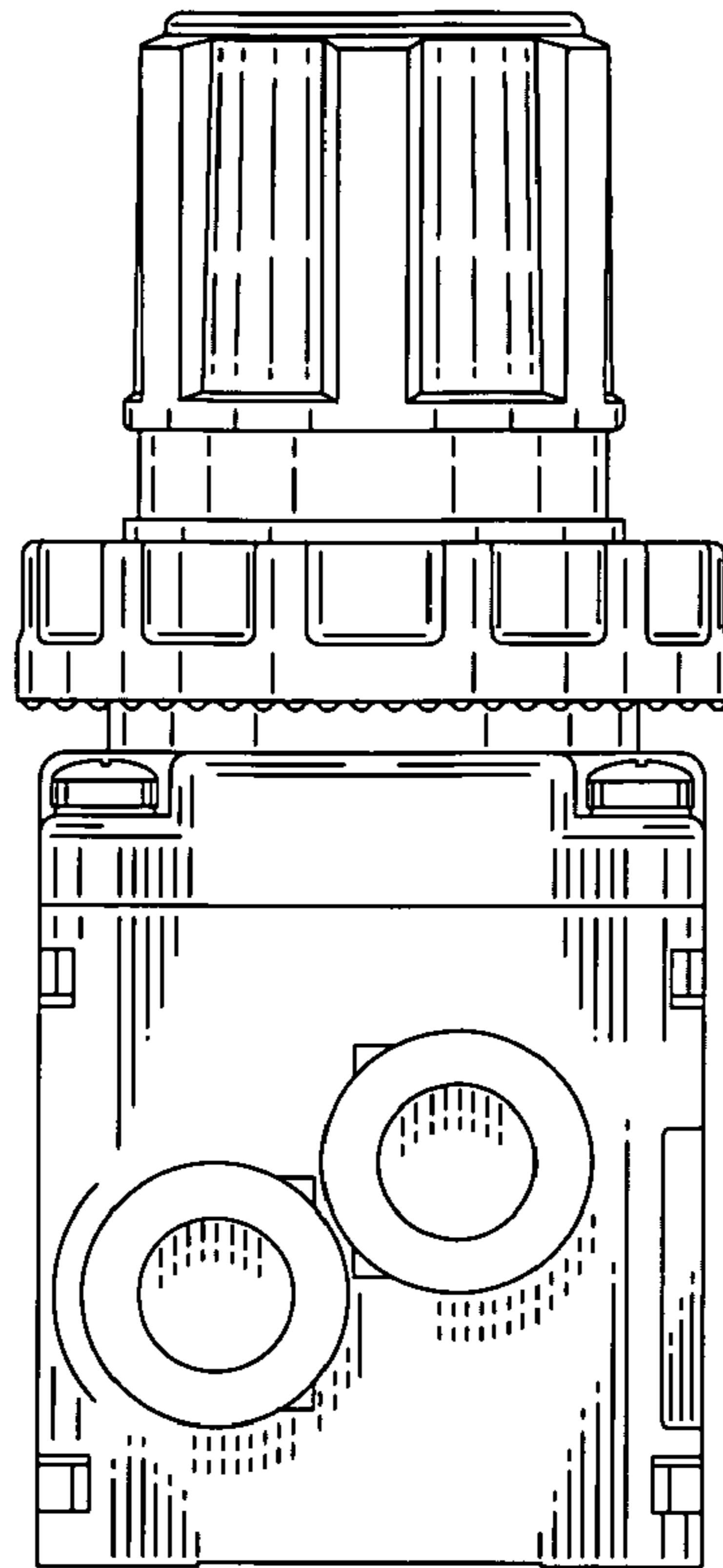


Fig. 2

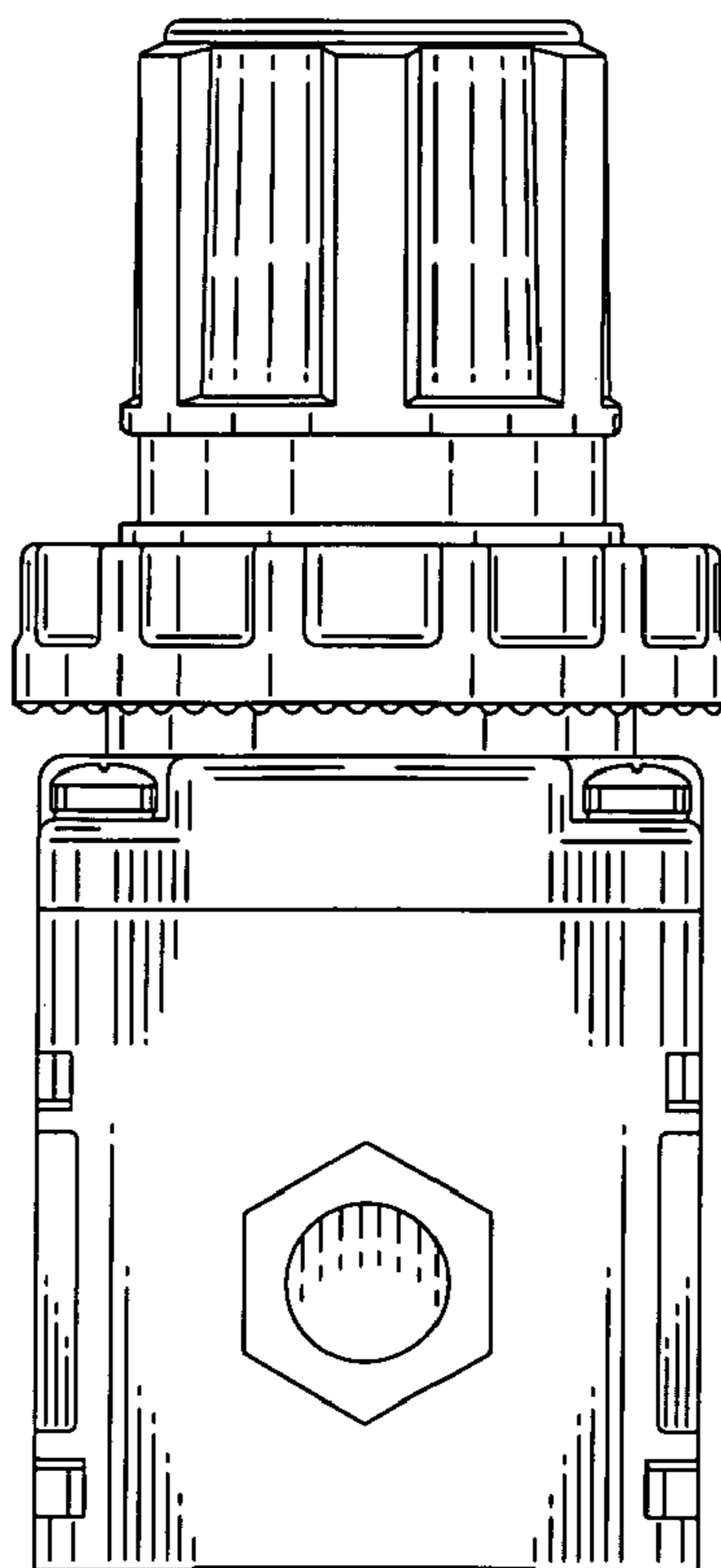


Fig. 3

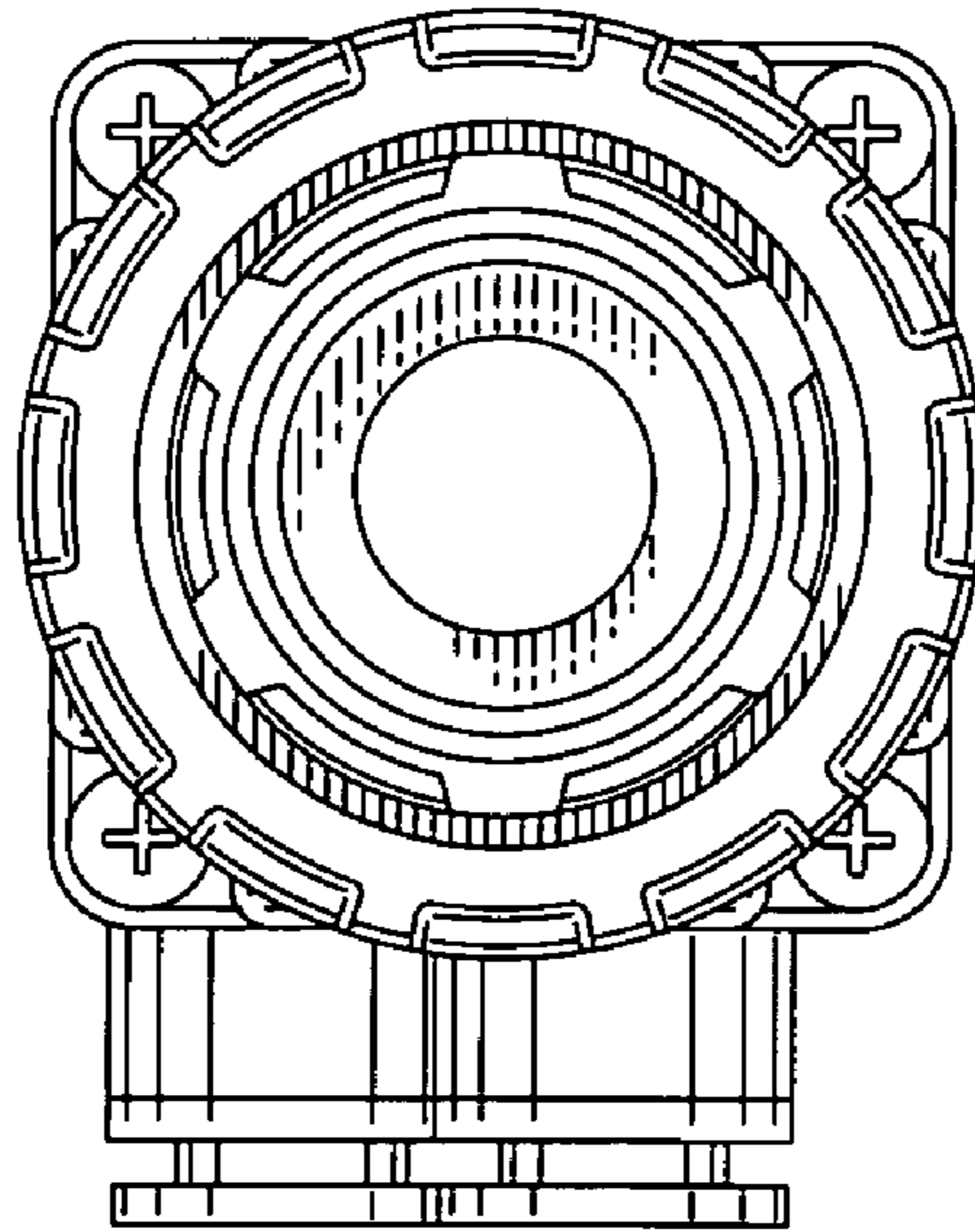


Fig. 4

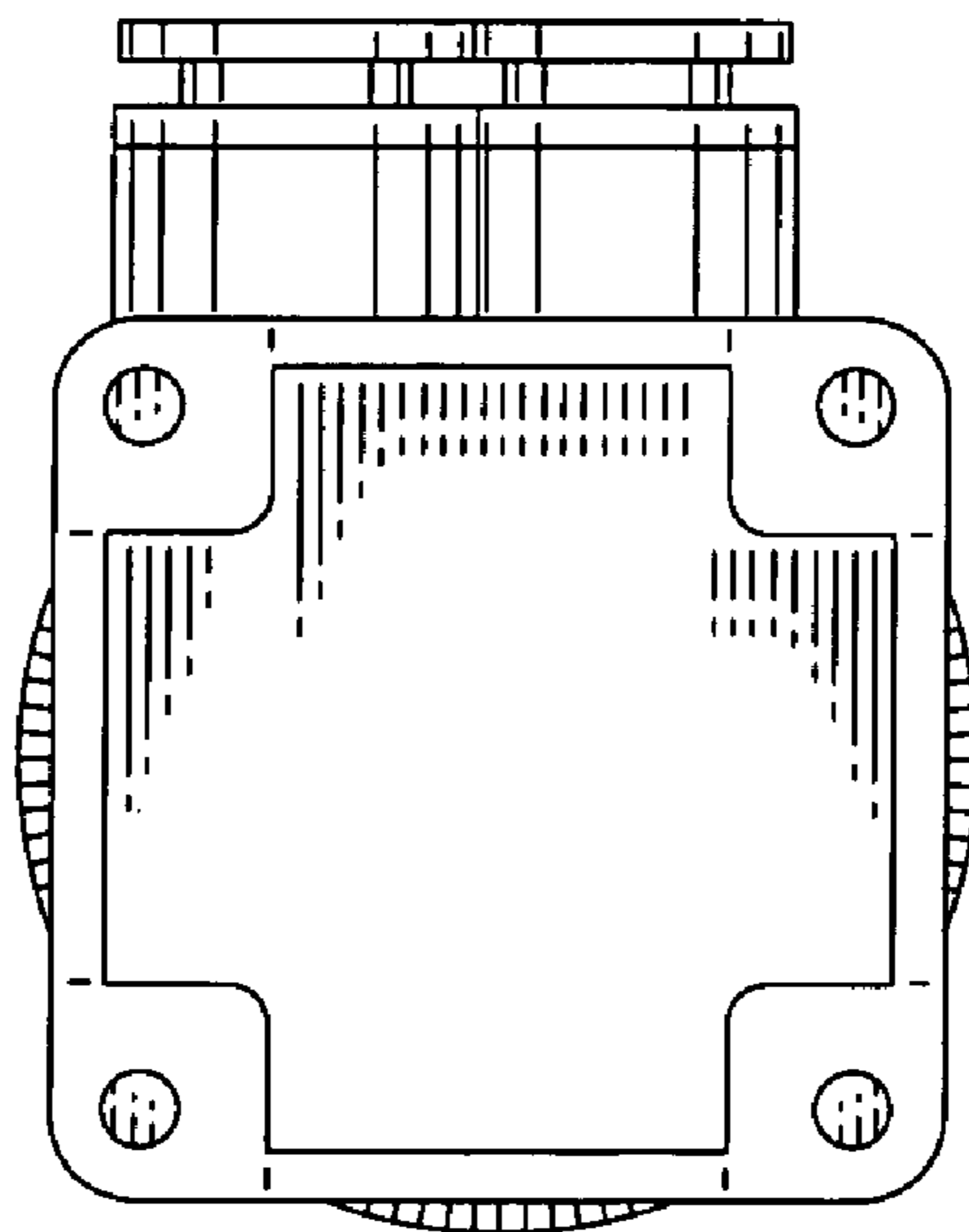


Fig. 5

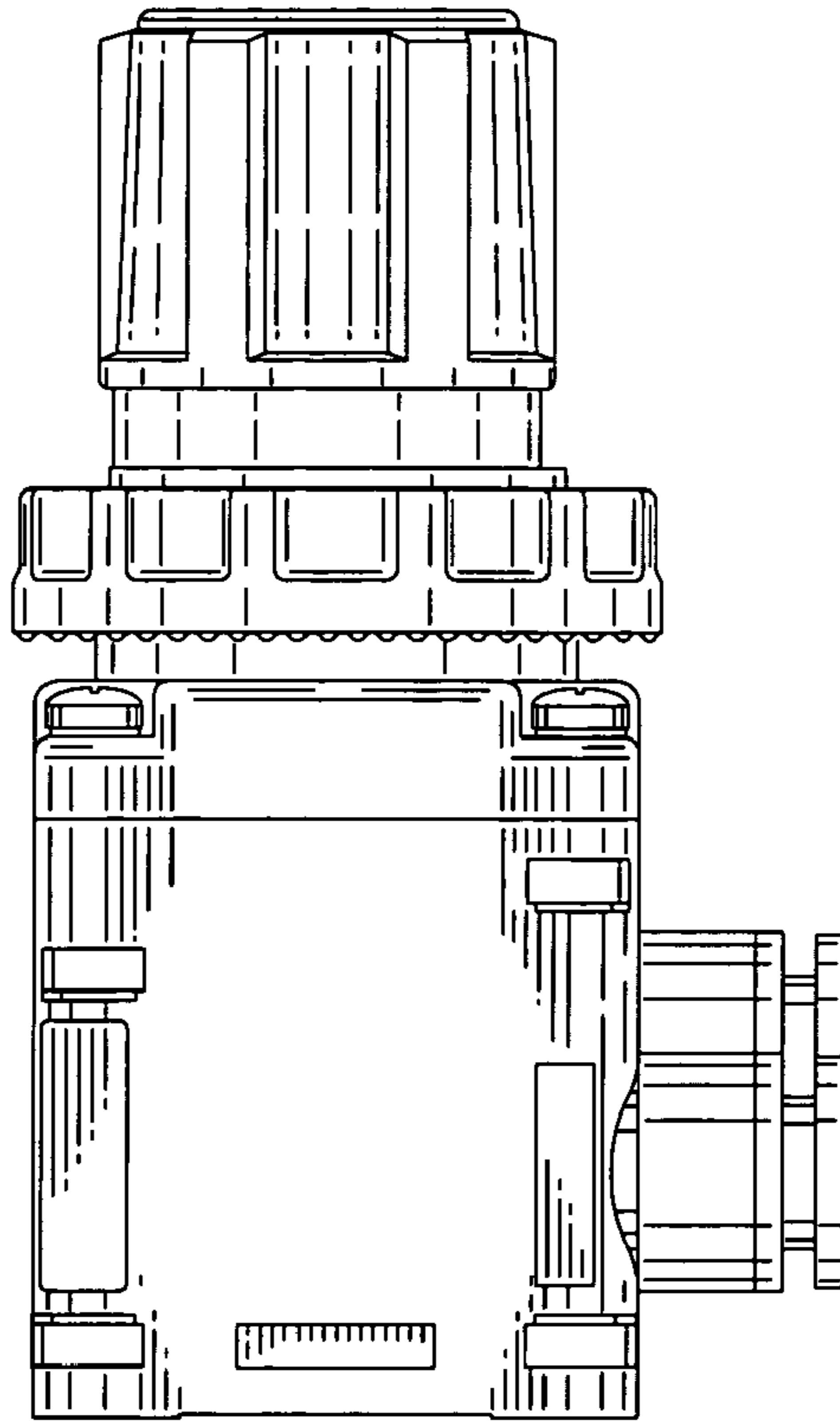


Fig. 6

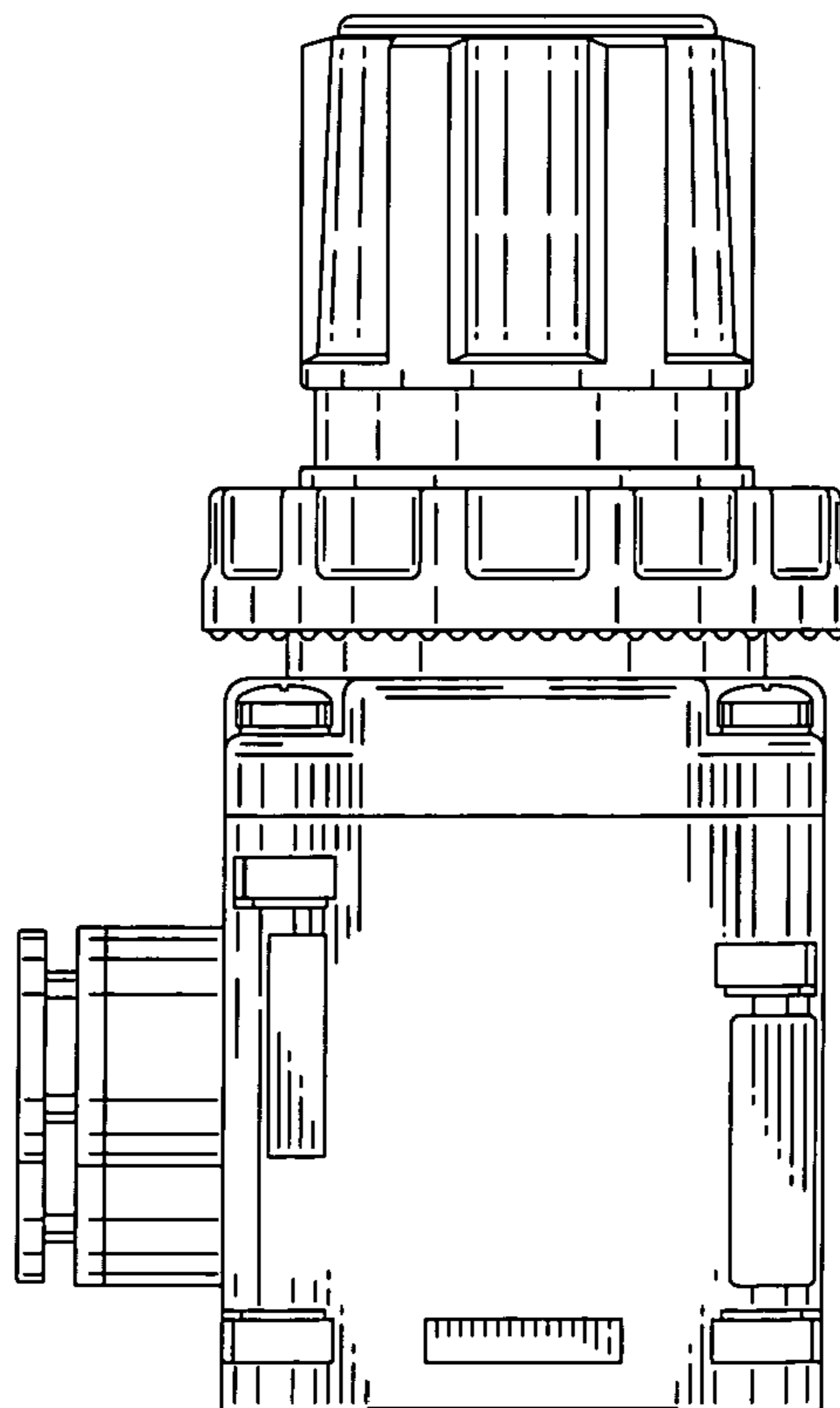


Fig. 7

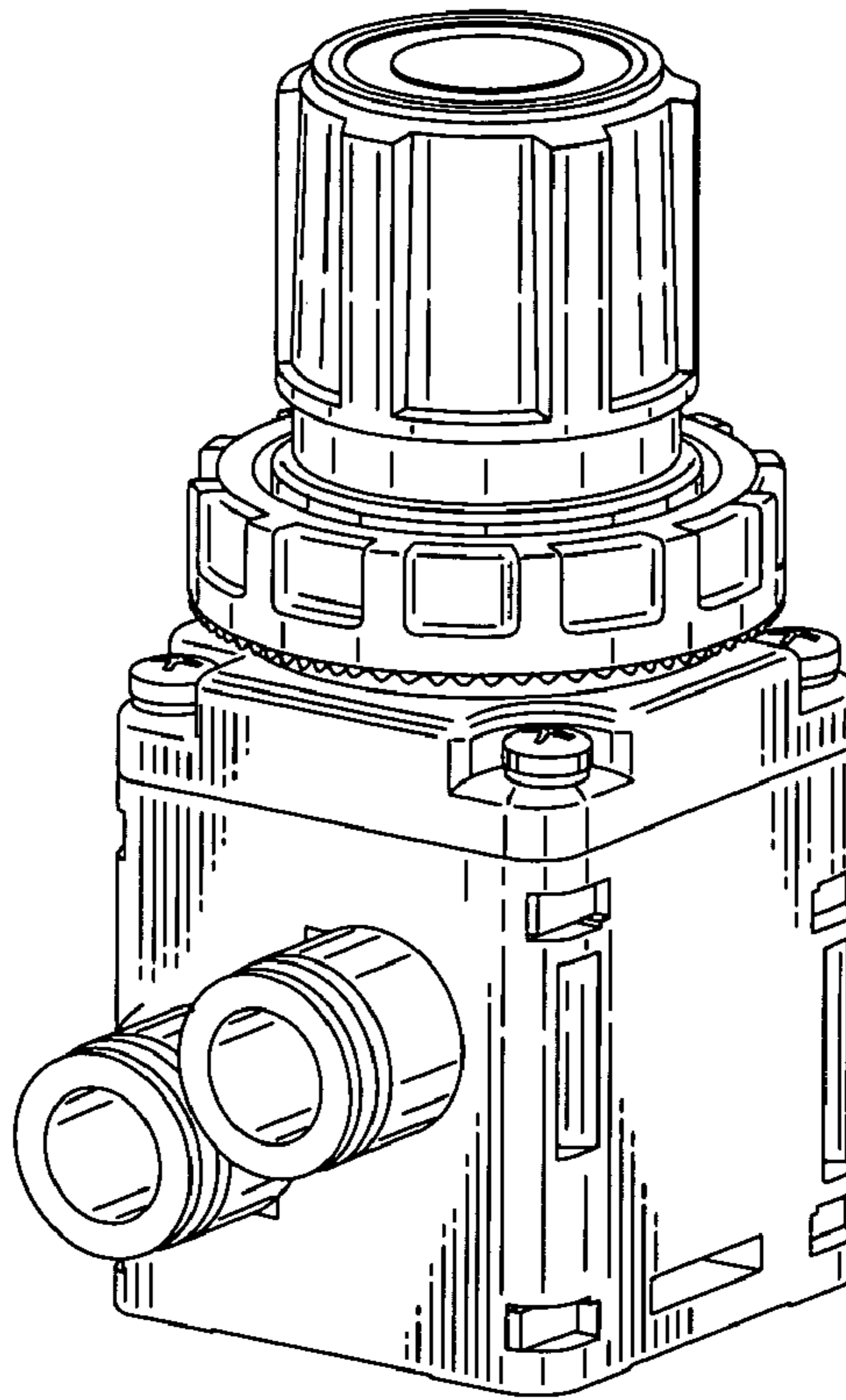


Fig. 8

