



US00D592677S

(12) **United States Design Patent**
Sheba et al.

(10) **Patent No.:** **US D592,677 S**
(45) **Date of Patent:** **** *May 19, 2009**

(54) **MEDIA DEVICE AND CRADLE ARRANGEMENT**

D570,876 S * 6/2008 Lee D14/496

(75) Inventors: **Yaron Sheba**, Mountain View, CA (US);
Moshe Raines, Kfar Saba (IL); **David Koren**, Raanana (IL)

(73) Assignee: **SanDisk Corporation**, Milpitas, CA (US)

(*) Notice: This patent is subject to a terminal disclaimer.

(**) Term: **14 Years**

(21) Appl. No.: **29/292,397**

(22) Filed: **Oct. 9, 2007**

(51) **LOC (9) Cl.** **14-03**

(52) **U.S. Cl.** **D14/496; D14/434**

(58) **Field of Classification Search** D14/496,
D14/401, 435, 474, 483, 217, 137, 138, 160,
D14/168, 432, 434; 345/156, 169, 173-179,
345/905; 715/727-729, 864; 710/1, 5, 8;
713/1, 600; 455/11, 1.7, 73, 344-347, 93,
455/95; 370/342-344; 369/1, 2, 6, 12; 463/43-47;
273/148 B

See application file for complete search history.

(56) **References Cited**

U.S. PATENT DOCUMENTS

- 6,122,526 A * 9/2000 Parulski et al. 455/556.1
- D446,489 S * 8/2001 Park D12/194
- D457,163 S * 5/2002 Peiker D14/434
- 7,013,164 B2 * 3/2006 Lin 455/557
- D518,290 S * 4/2006 Andre et al. D3/218
- D529,512 S * 10/2006 Reawsanguanwong D14/496
- D538,297 S * 3/2007 Ching D14/496
- D544,487 S * 6/2007 Hussaini et al. D14/434
- 7,230,822 B2 * 6/2007 Langberg et al. 361/683
- D555,169 S * 11/2007 Shimizu et al. D14/496
- D559,266 S * 1/2008 Oh D14/496

OTHER PUBLICATIONS

“SanDisk Unveils USBTV-First Digital ‘Flash DVD Player’ for Porting Personal Video and Movies from Home PC to Home TV”, <http://www.sandisk.com/Corporate/PressRoom/PressReleases/PressRelease.aspx?ID=3678>, Jan. 8, 2007, 2 pages.

Eran Erez, Ran Carmeli, Moshe Raines, Yitzhak Pomerantz, “Dongle Joystick”, filed Mar. 12, 2007 as U.S. Appl. No. 11/716,648.

Itzhak Pomerantz, Tavi Salomon, “USB Connecting System and Method”, filed Jul. 31, 2006 as U.S. Appl. No. 11/495,627.

Moshe Raines, “UFD—Accommodating Multimedia System”, filed Feb. 27, 2007 as U.S. Appl. No. 11/710,925.

Moshe Raines, “Dual Mode Digital Multimedia Connector”, filed May 14, 2007 as U.S. Appl. No. 11/747,928.

(Continued)

Primary Examiner—Prabhakar Deshmukh

(74) *Attorney, Agent, or Firm*—Brinks Hofer Gilson & Lione

(57) **CLAIM**

The ornamental design for a media device and cradle arrangement, substantially as shown and described.

DESCRIPTION

FIG. 1 is a perspective view of a media device and cradle arrangement showing our design;

FIG. 2 is a top plan view thereof;

FIG. 3 is a right side elevation view thereof

FIG. 4 is a bottom plan view thereof;

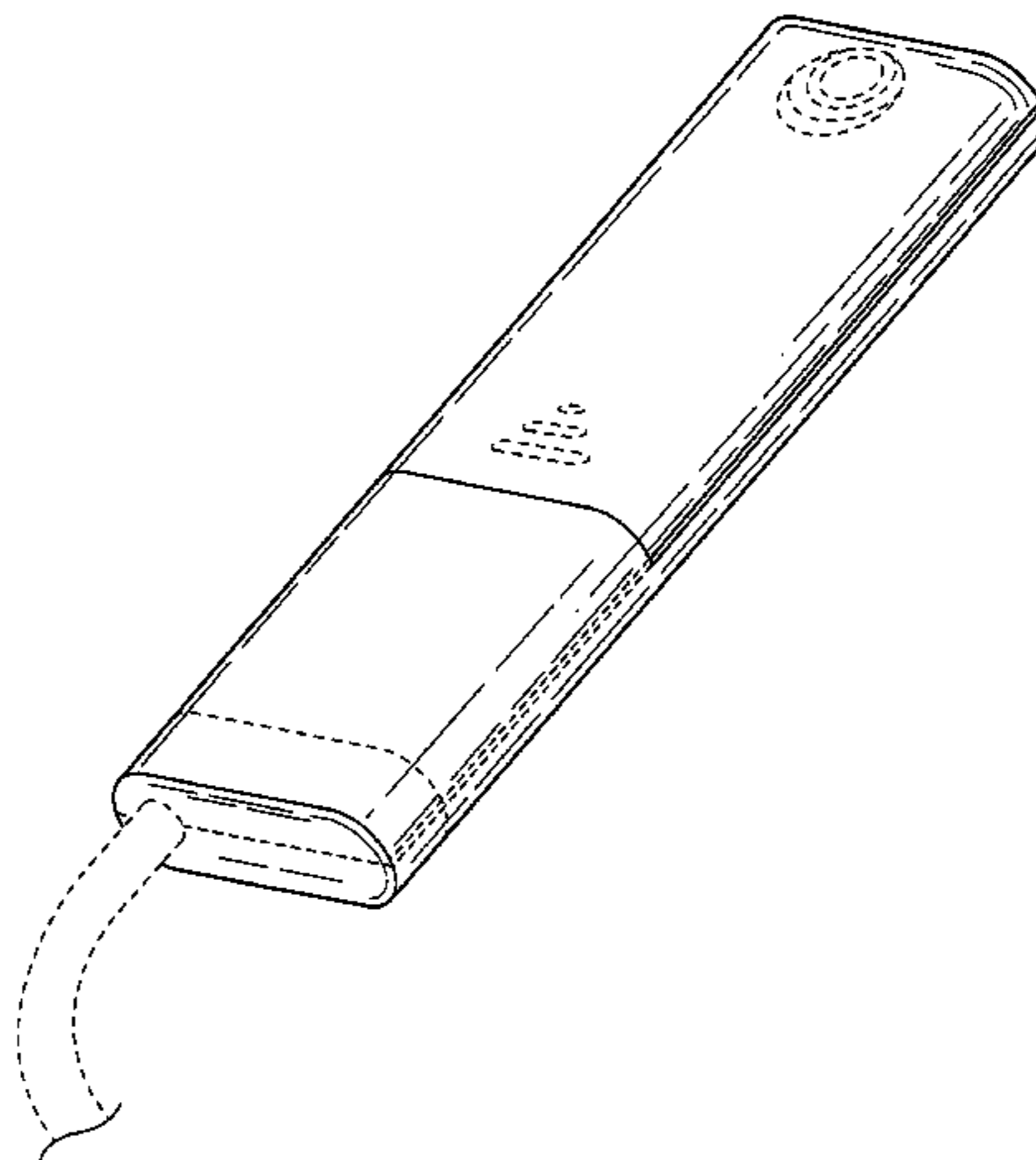
FIG. 5 is a left side elevation view thereof;

FIG. 6 is a front elevation view thereof; and,

FIG. 7 is a rear elevation view thereof.

The broken lines immediately adjacent to the claimed areas in the views represent the boundaries of the claimed design. Other broken lines showing an environment are for illustrative purposes only. None of the broken lines form part of the claimed design.

1 Claim, 4 Drawing Sheets



OTHER PUBLICATIONS

Moshe Raines, "Dual Mode Digital Multimedia Connector", filed May 14, 2007 as U.S. Appl. No. 11/747,929.

Moshe Raines, Dov Moran, Avraham Meir, Eli Harari, David Koren, Ran Carmeli, "Dongle-Based Multimedia Player", filed Feb. 27, 2007 as U.S. Appl. No. 11/710,988.

Moshe Raines, Itzhak Pomerantz, "A Multipin Plug Pin Layout", filed Aug. 18, 2006 as U.S. Appl. No. 29/264,743.

Moshe Raines, Itzhak Pomerantz, "A Pin-Pair Layout for a Multipin Mating Connector", filed Nov. 11, 2006 as U.S. Appl. No. 29/265,841.

Moshe Raines, Itzhak Pomerantz, Yaron Shiba, "An 'M' Shaped Recess in a Standard USB Connector Shell", filed Nov. 11, 2006 as U.S. Appl. No. 29/265,847.

Moshe Raines, Ran Carmeli, "Remotely Controllable Media Distribution Device", filed Feb. 27, 2007 as U.S. Appl. No. 11/710,908.

Moshe Raines, Tavi Salomon, Itzhak Pomerantz, "A Digital Rights Management Connector", filed Nov. 22, 2006 as U.S. Appl. No. 11/562,430.

Moshe Raines, Tavi Salomon, Shemmer Choresh, Avi Goldstein, "Functionally Adoptable Multipin Connecting System", filed Feb. 10, 2006 as U.S. Appl. No. 60/771,794.

Nitzan Achsaf, Moshe Raines, Alon Ziegler, Itzhak Pomerantz, "Internal UFD", filed Oct. 19, 2006 as U.S. Appl. No. 11/550,813.

* cited by examiner

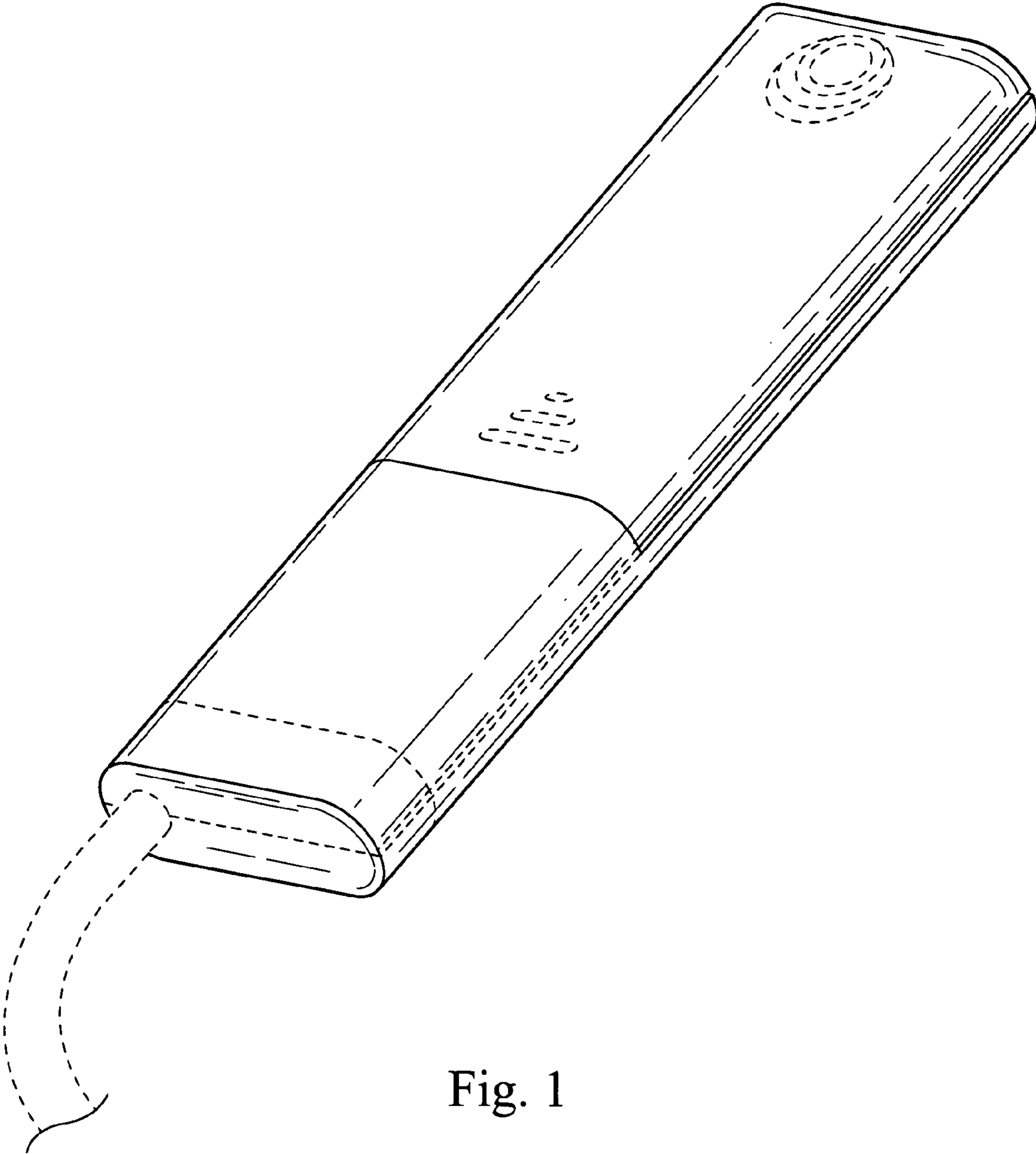


Fig. 1

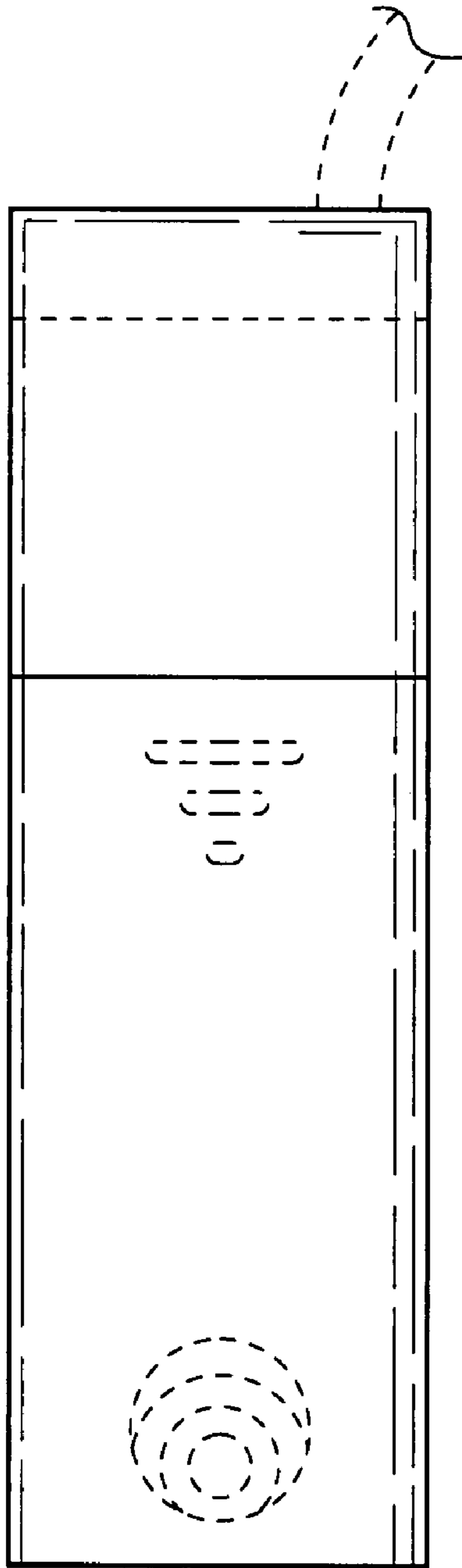


Fig. 2

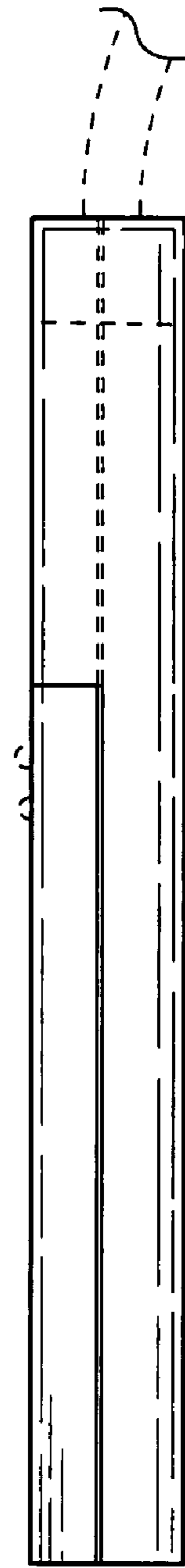


Fig. 3

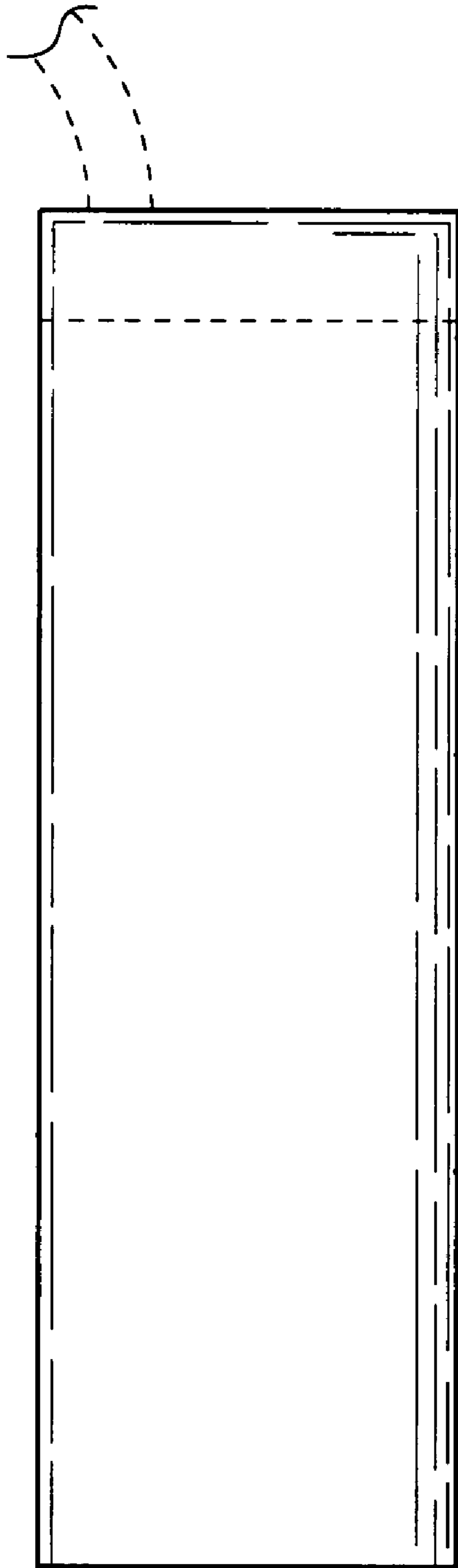


Fig. 4



Fig. 5

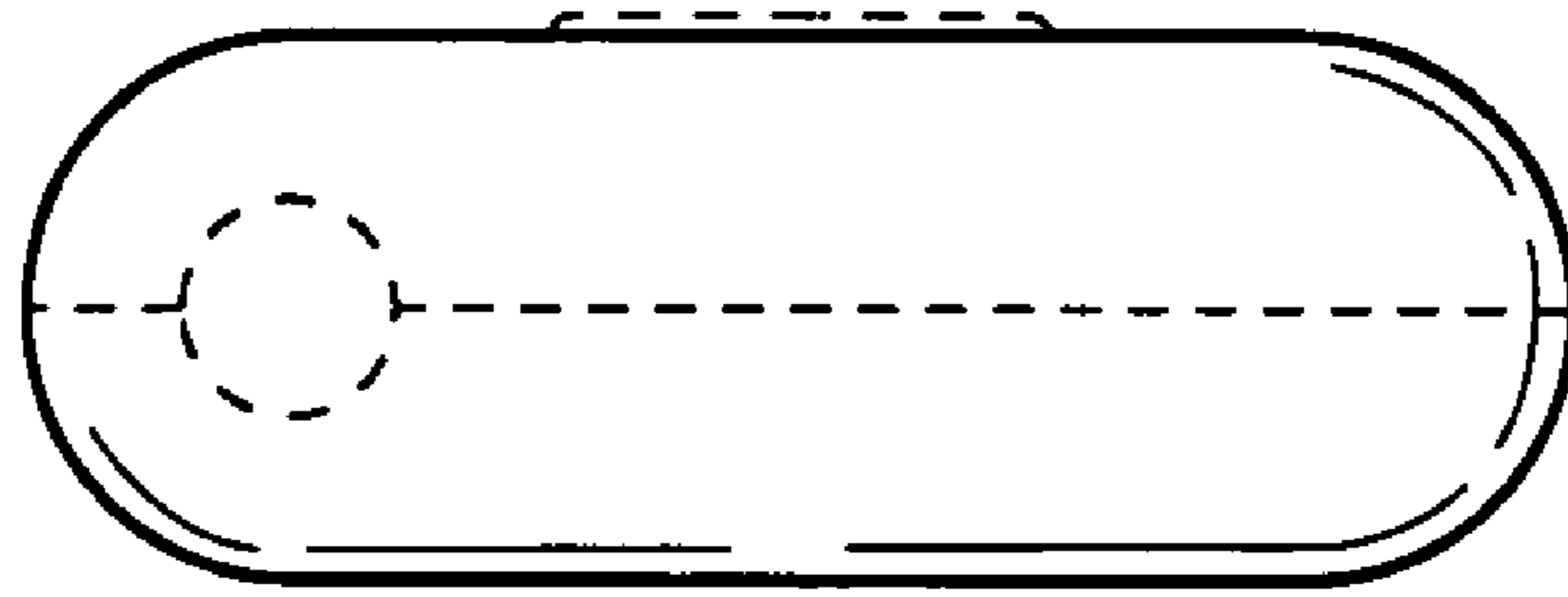


Fig. 6

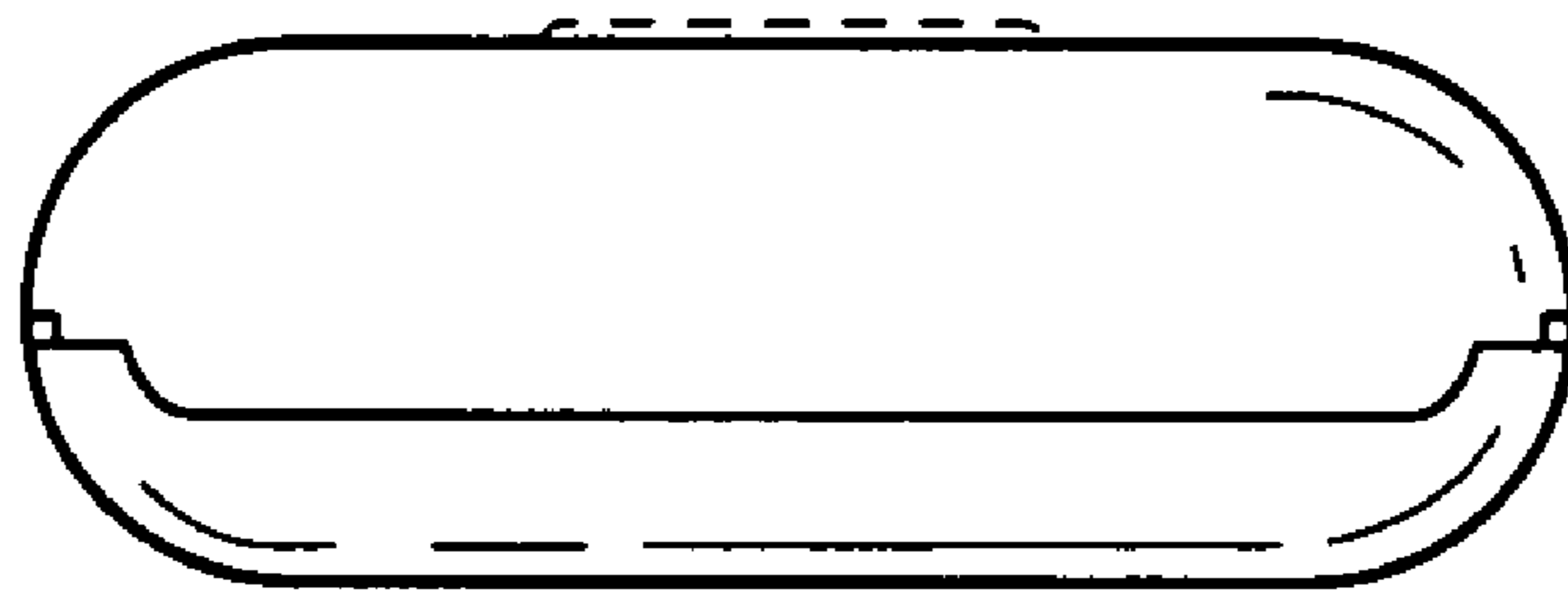


Fig. 7