

US00D592669S

(12) **United States Design Patent**  
**Malisse et al.**

(10) **Patent No.:** **US D592,669 S**

(45) **Date of Patent:** **\*\* May 19, 2009**

(54) **MONITOR MOUNTING CLIP**

(75) Inventors: **Christopher J. Malisse**, Somers, NY  
(US); **Amir Zonshine**, Hartsdale, NY  
(US)

(73) Assignee: **Ergotech Group, Inc.**, Elmsford, NY  
(US)

(\*\*) Term: **14 Years**

(21) Appl. No.: **29/295,908**

(22) Filed: **Oct. 10, 2007**

(51) **LOC (9) Cl.** ..... **08-07**

(52) **U.S. Cl.** ..... **D14/451**

(58) **Field of Classification Search** ..... D14/447,  
D14/451, 452, 449, 251, 253, 239, 432, 434,  
D14/439, 448, 450, 454, 455, 457, 458, 459,  
D14/460, 461, 336, 337, 371, 372, 373, 374,  
D14/375, 376, 377, 378, 379, 380, 381, 382,  
D14/125, 126, 127, 129, 133, 305, 307, 335,  
D14/340, 339; D6/300, 308, 310, 312, 313,  
D6/314, 449, 512; D8/354, 363; D19/91,  
D19/90; 349/58, 60; 312/7.2; 348/790,  
348/794, 825, 836; 211/42, 43, 126.6, 132.1,  
211/171, 195; 248/917, 918, 919, 920, 921,  
248/922, 923, 924, 451, 454, 460; 361/680,  
361/681, 382, 683, 686; D12/415, 418; D10/65  
See application file for complete search history.

(56) **References Cited**

**U.S. PATENT DOCUMENTS**

D286,636 S \* 11/1986 Cooke et al. .... D14/253

D308,205 S \* 5/1990 Tholberg ..... D14/253  
D310,520 S \* 9/1990 Bedard ..... D14/432  
D363,927 S \* 11/1995 Rosen ..... D14/451  
D376,805 S \* 12/1996 Johansson ..... D14/253  
D407,710 S \* 4/1999 Poulos ..... D14/251  
D430,165 S \* 8/2000 Lee ..... D14/451  
D468,998 S \* 1/2003 Zadak ..... D8/373  
D471,080 S \* 3/2003 Baumbach ..... D8/354  
D539,290 S \* 3/2007 Zhu et al. .... D14/447  
D557,115 S \* 12/2007 Zakowski ..... D8/354  
D568,324 S \* 5/2008 Stenhouse et al. .... D14/451  
D568,888 S \* 5/2008 Eyman et al. .... D14/451

\* cited by examiner

*Primary Examiner*—Jennifer Rivard

*Assistant Examiner*—Angela J Lee

(74) *Attorney, Agent, or Firm*—Haugen Law Firm PLLP

(57) **CLAIM**

The ornamental design for a monitor mounting clip, as shown and described.

**DESCRIPTION**

FIG. 1 is a front perspective view of the present design;

FIG. 2 is a front elevation view of the present design;

FIG. 3 is a rear elevation view of the present design;

FIG. 4 is a left side view of the present design;

FIG. 5 is a right side view of the present design;

FIG. 6 is a top plan view of the present design; and,

FIG. 7 is a bottom plan view of the present design.

**1 Claim, 2 Drawing Sheets**

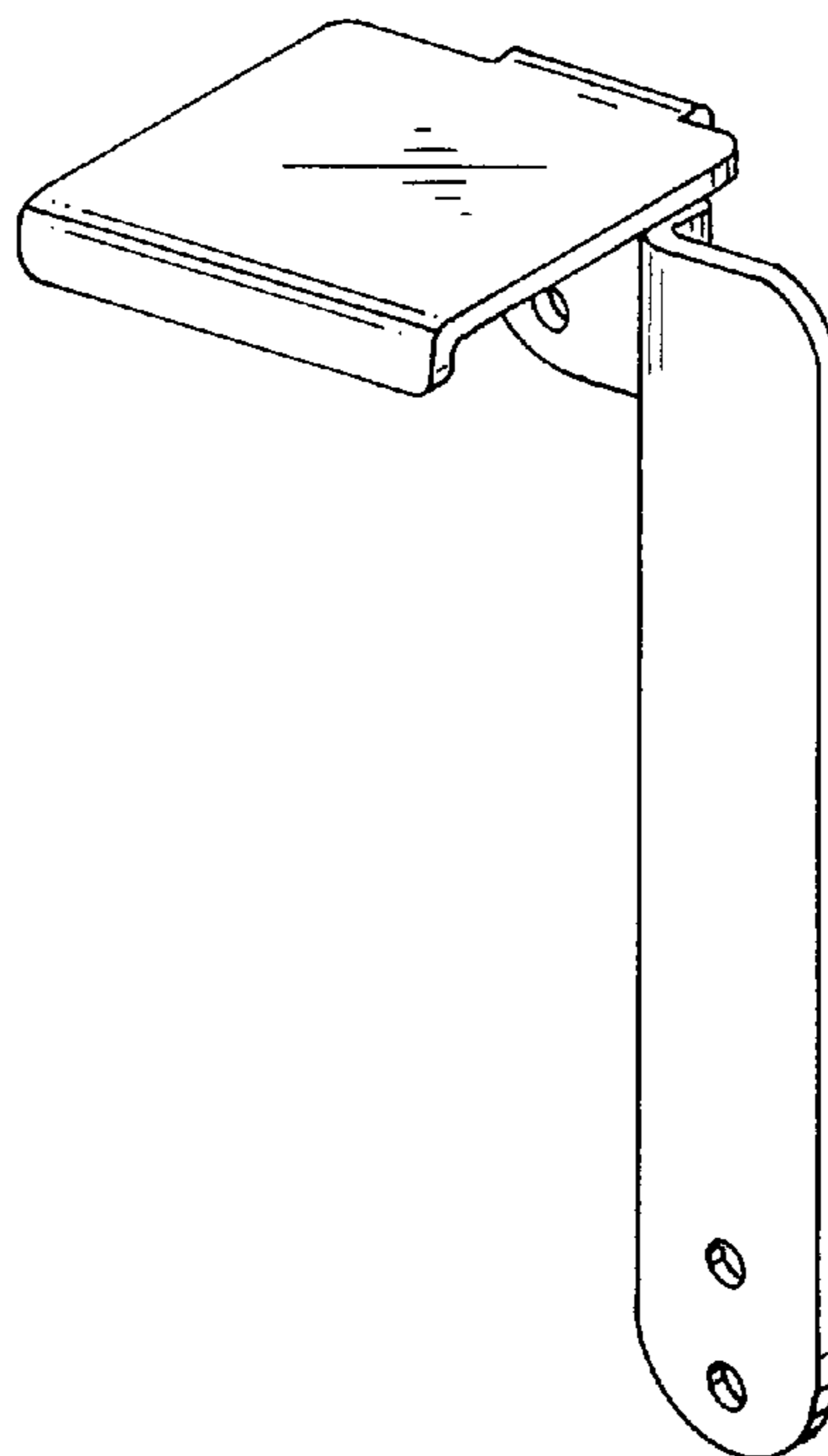


Fig.-1

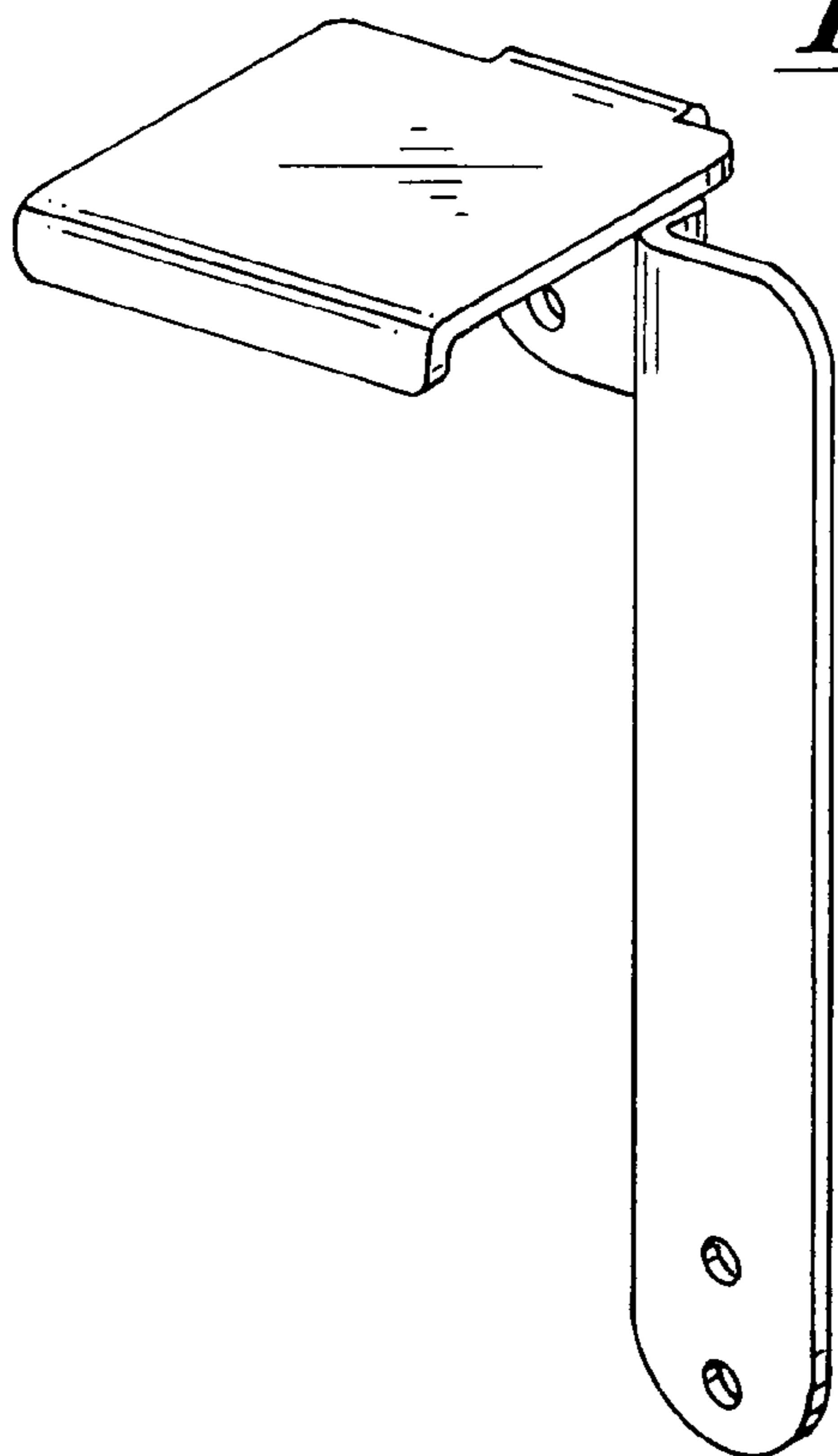


Fig.-2

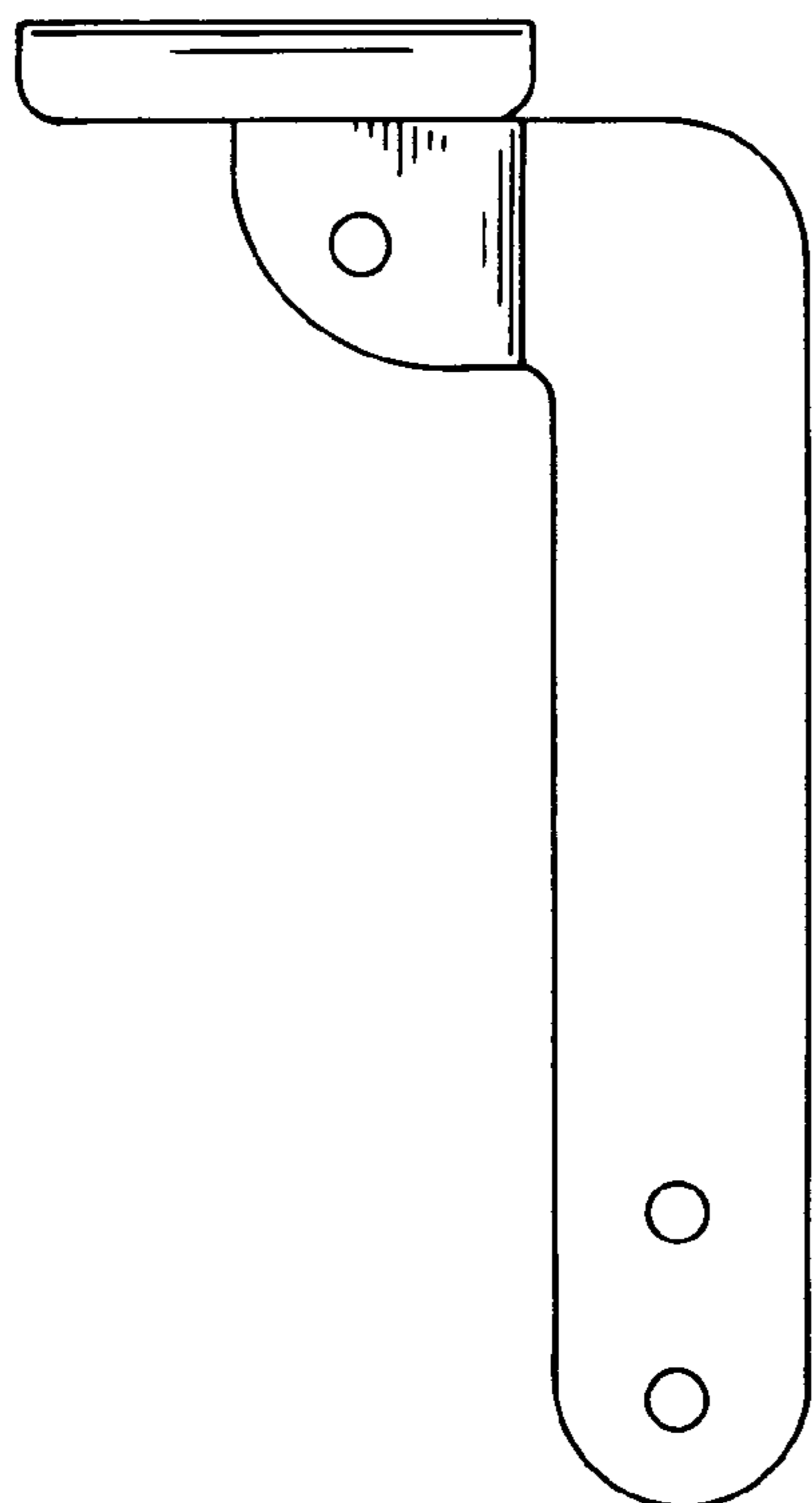


Fig.-3

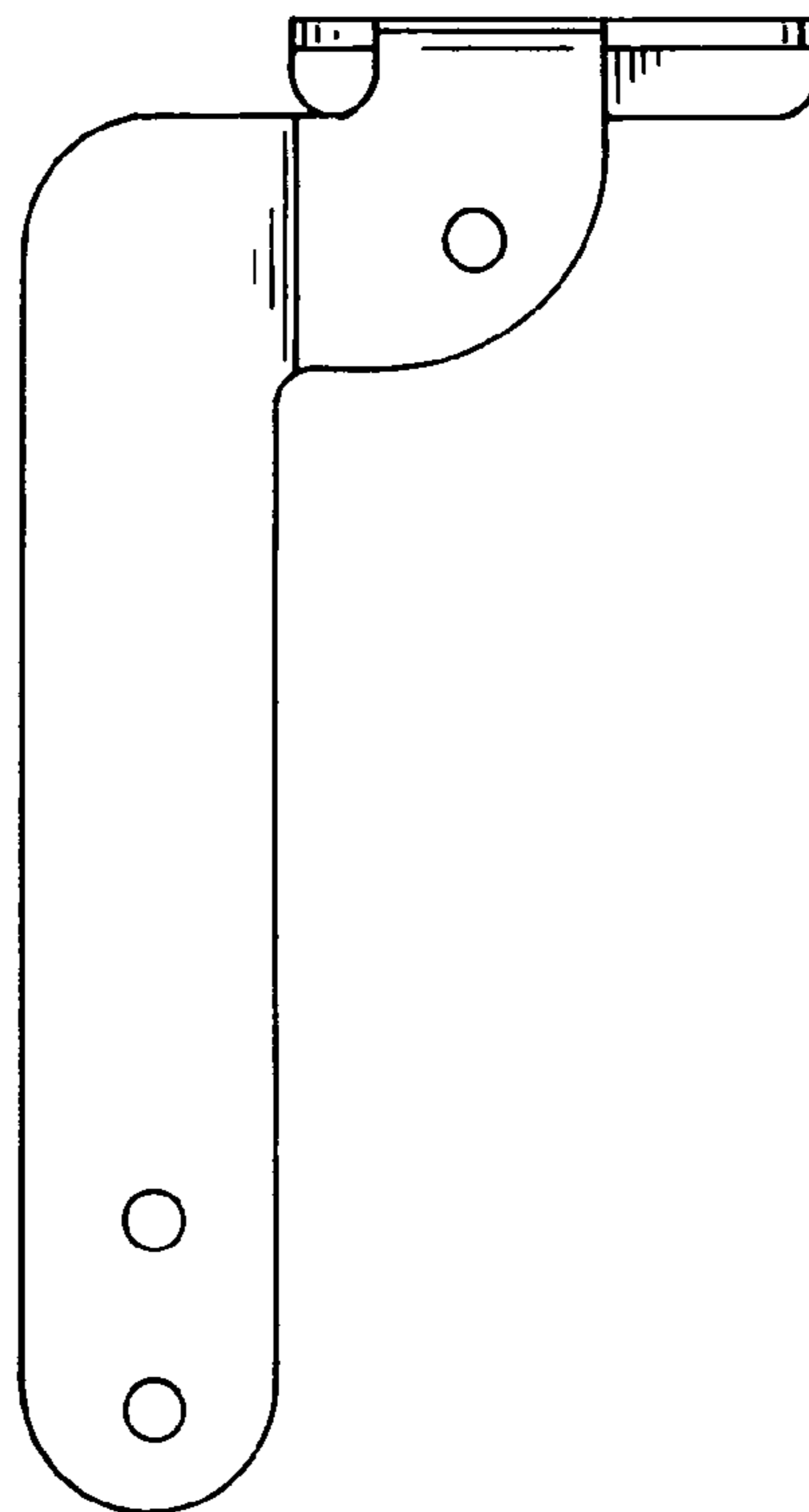


Fig.-4

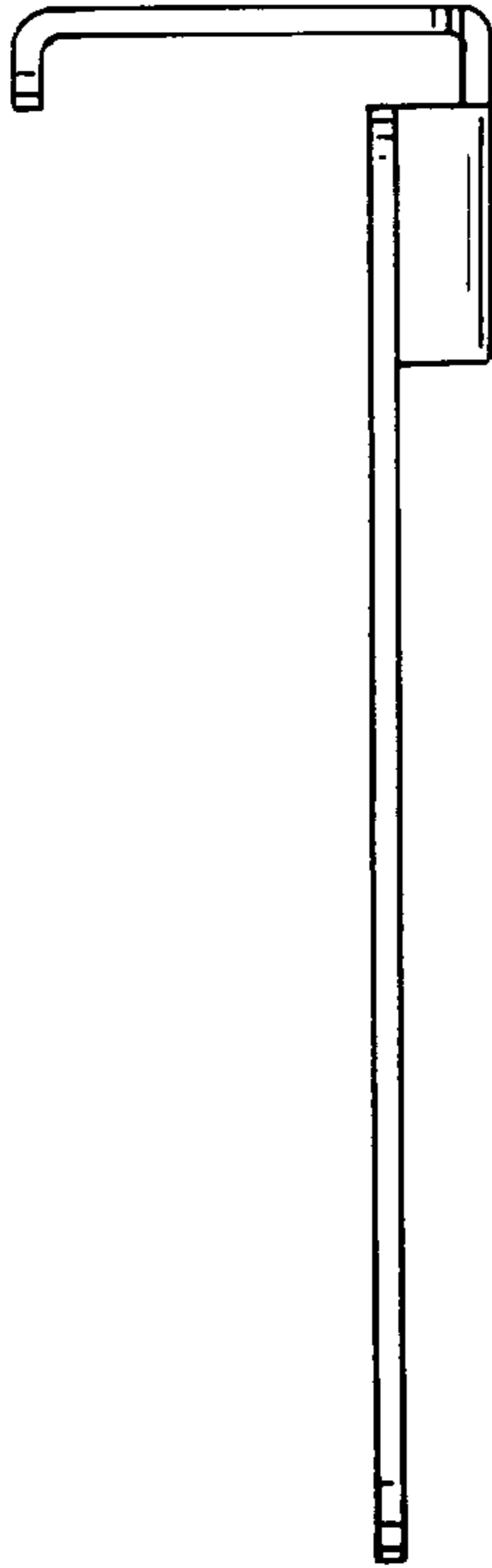


Fig.-5

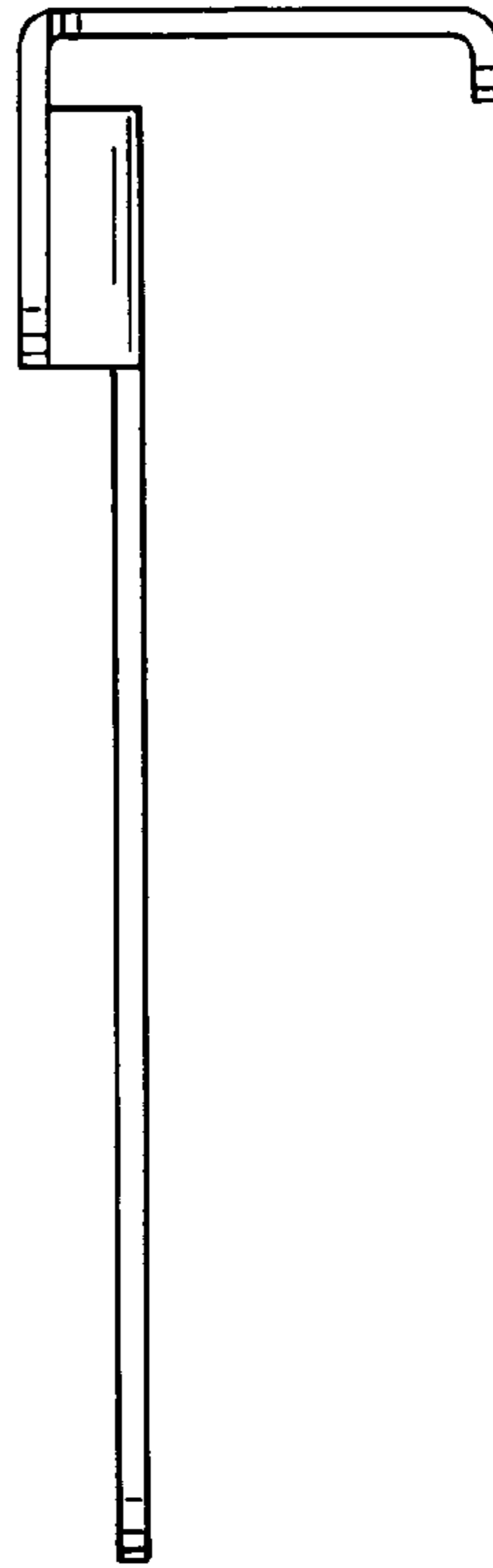


Fig.-6

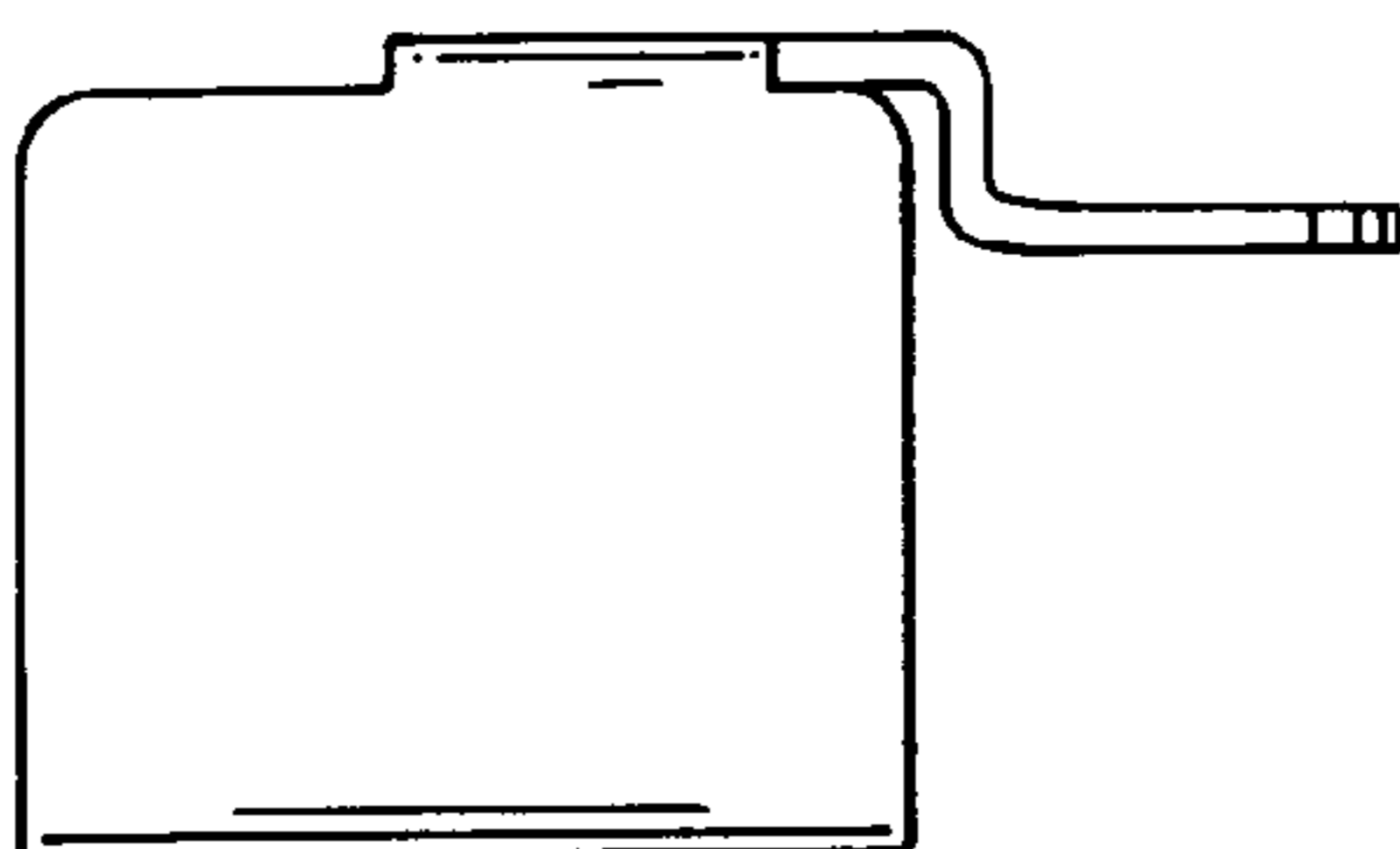


Fig.-7

