

US00D592668S

(12) **United States Design Patent**
Wang et al.

(10) **Patent No.:** **US D592,668 S**
(45) **Date of Patent:** **** May 19, 2009**

(54) **FRONT BEZEL FOR A COMPUTER ENCLOSURE**

(75) Inventors: **Yu Wang**, Shenzhen (CN); **Chun-Chi Liang**, Taipei Hsien (TW); **Guang-Yao Lee**, Taipei Hsien (TW); **Jiing-Renn Yu**, Taipei Hsien (TW)

(73) Assignee: **Hon Hai Precision Industry Co., Ltd.**, Tu-Cheng, Taipei Hsien (TW)

(**) Term: **14 Years**

(21) Appl. No.: **29/298,782**

(22) Filed: **Dec. 13, 2007**

(30) **Foreign Application Priority Data**

Jun. 14, 2007 (CN) 2007 3 0200492

(51) **LOC (9) Cl.** **13-02**

(52) **U.S. Cl.** **D14/444**

(58) **Field of Classification Search** D14/441-446;
D13/162, 184, 199; 312/223.2; 360/680-686,
360/690-696

See application file for complete search history.

(56) **References Cited**

U.S. PATENT DOCUMENTS

5,169,218 A * 12/1992 Chu 312/223.2
D435,560 S * 12/2000 Jean et al. D14/444
D455,754 S * 4/2002 Gant et al. D14/446

D466,126 S * 11/2002 Chen et al. D14/446
D516,569 S * 3/2006 Chen et al. D14/444
D535,656 S * 1/2007 Chen et al. D14/444
D550,675 S * 9/2007 Chen et al. D14/445
D554,126 S * 10/2007 Li D14/441

* cited by examiner

Primary Examiner—Freda S Nunn

(74) *Attorney, Agent, or Firm*—Frank R. Niranjan

(57) **CLAIM**

The ornamental design for a front bezel for a computer enclosure, as shown and described.

DESCRIPTION

FIG. 1 is a perspective view of a front bezel for a computer enclosure showing our new design;

FIG. 2 is a front elevational view thereof;

FIG. 3 is a left-side, elevational view thereof;

FIG. 4 is a right-side, elevational view thereof;

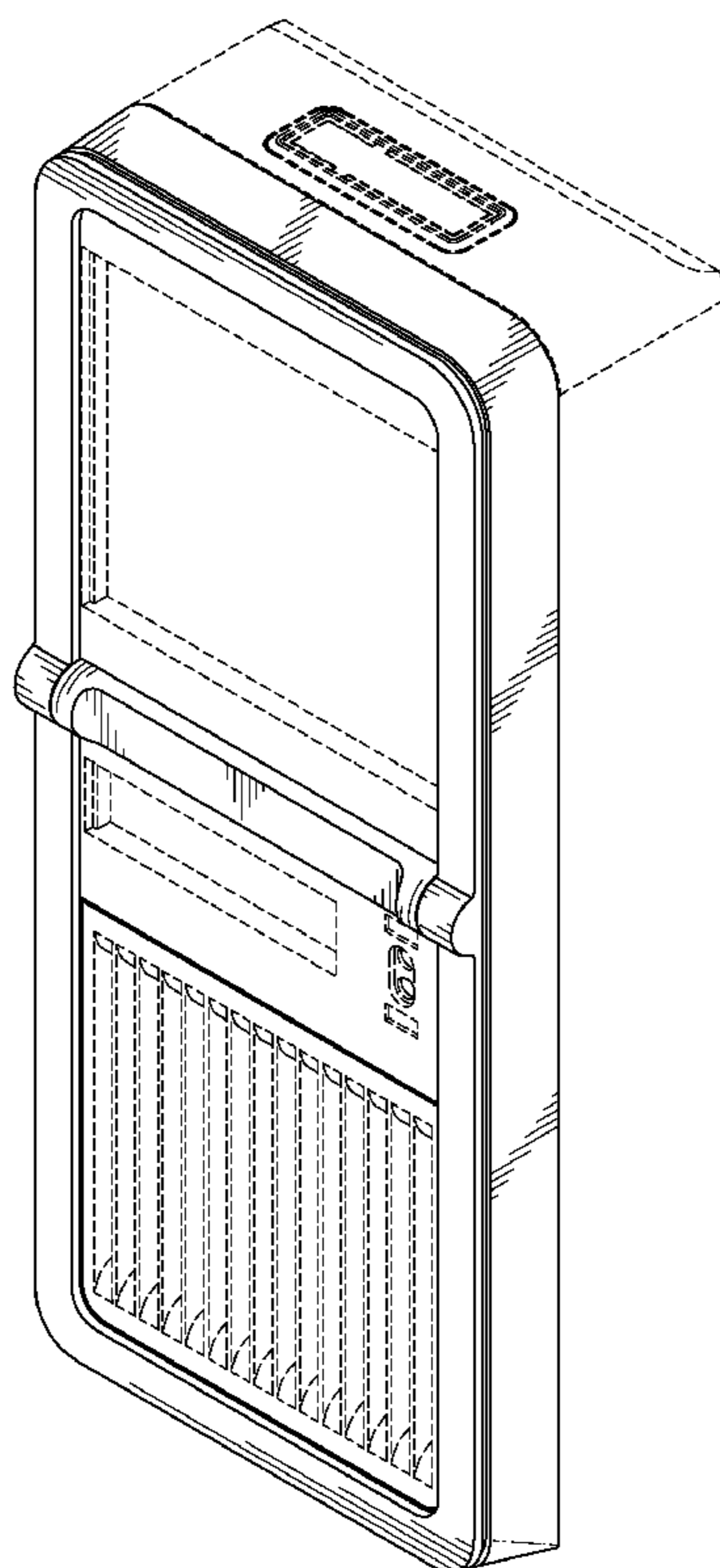
FIG. 5 is a top plan view thereof;

FIG. 6 is a bottom plan view thereof; and,

FIG. 7 is a perspective view of the front bezel being mounted to a computer enclosure.

Broken lines shown in the drawings illustrate portions of the front bezel for a computer enclosure and form no part of the claimed design.

1 Claim, 7 Drawing Sheets



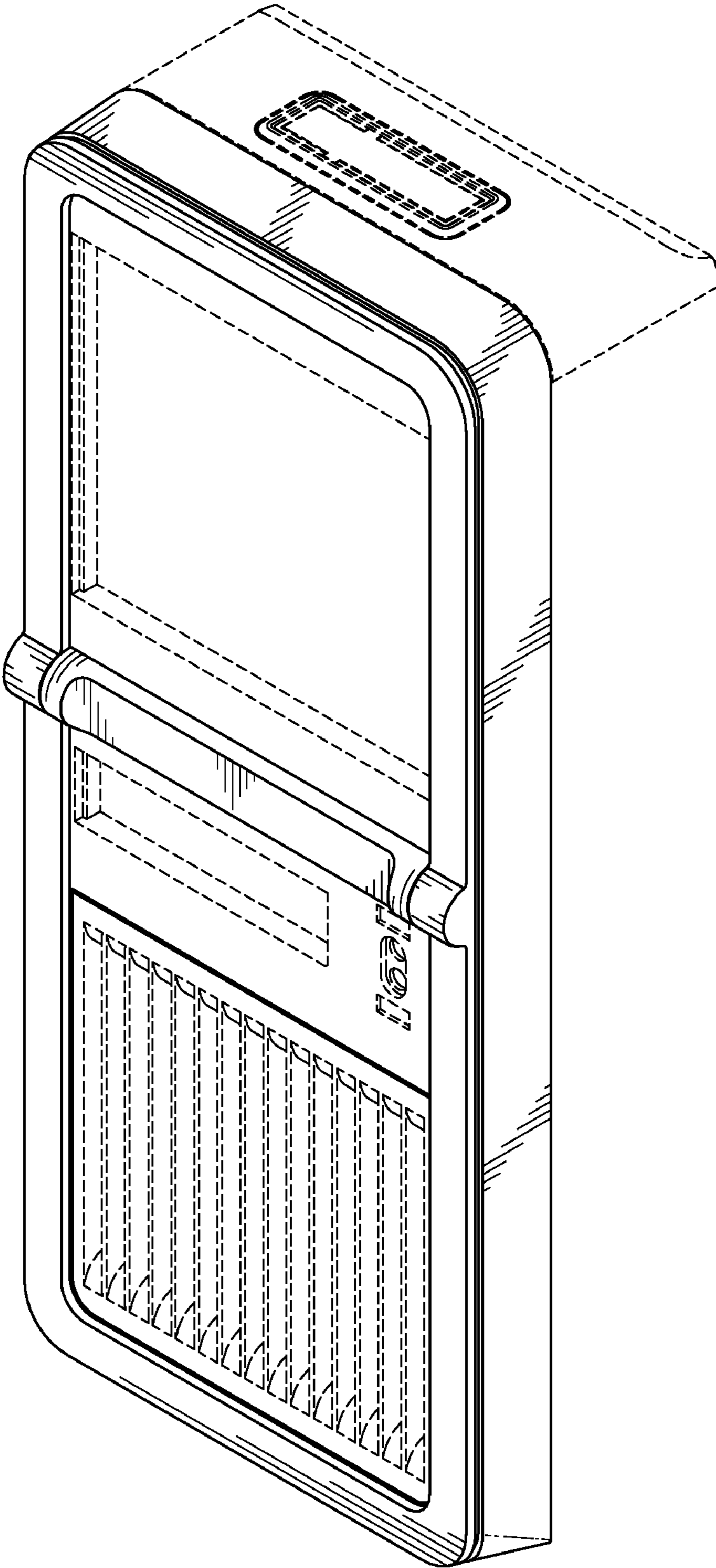


FIG. 1

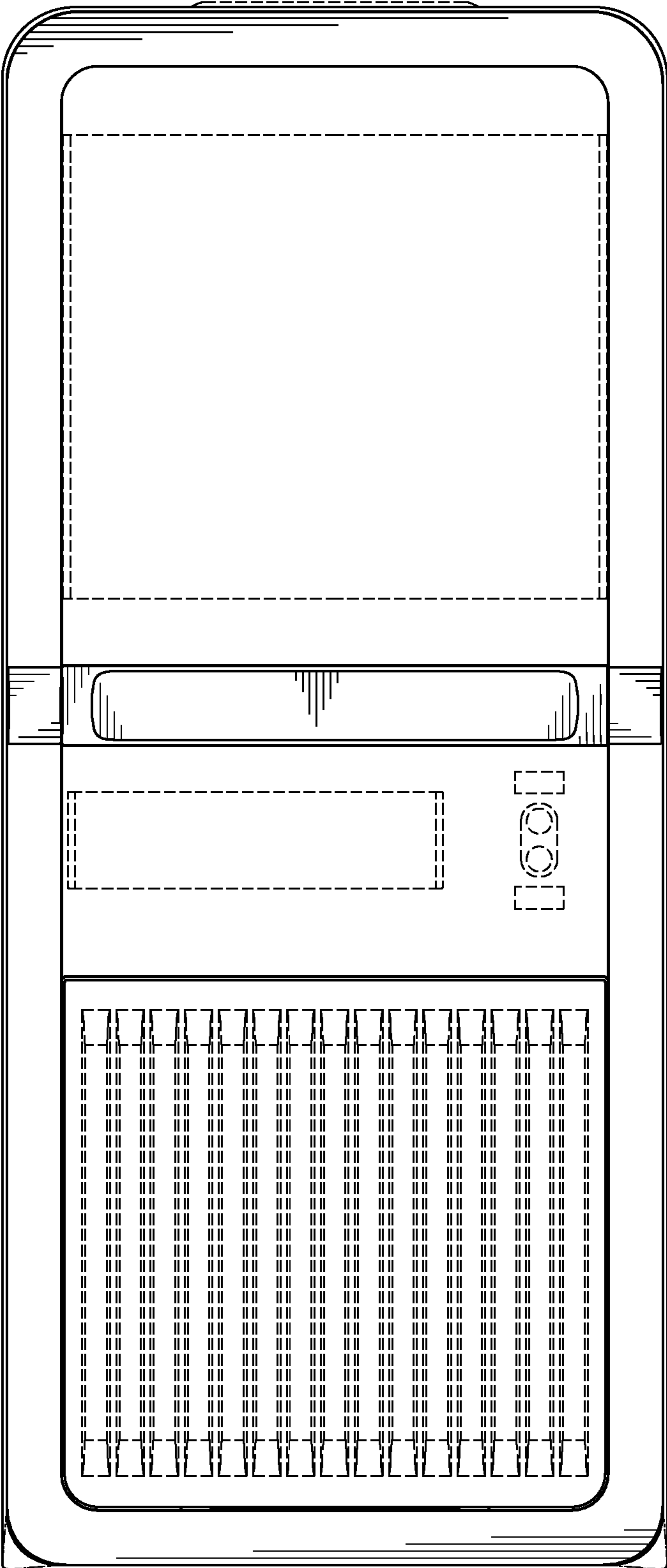


FIG. 2

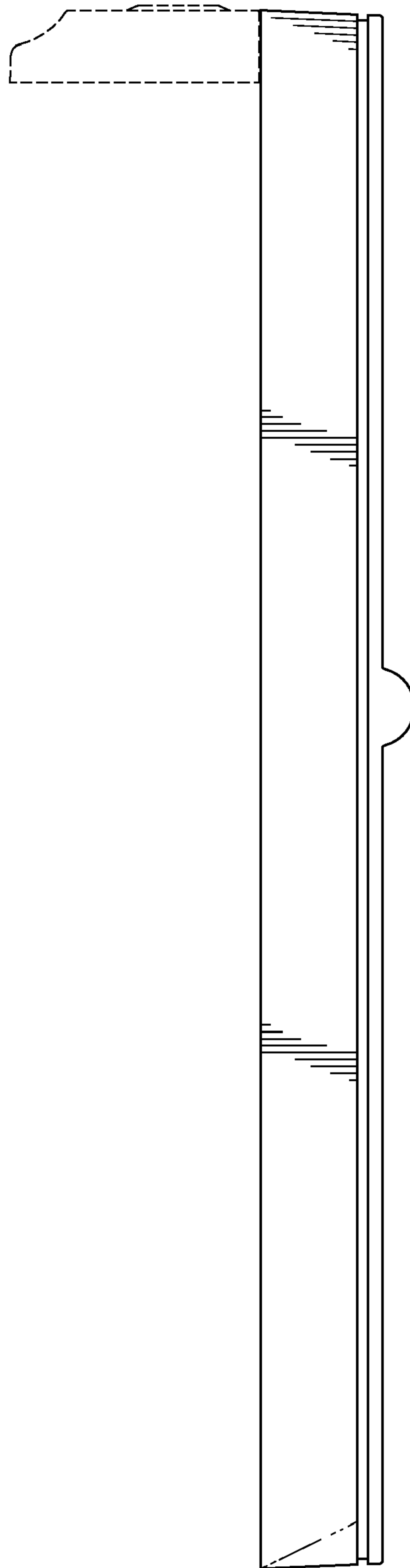


FIG. 3

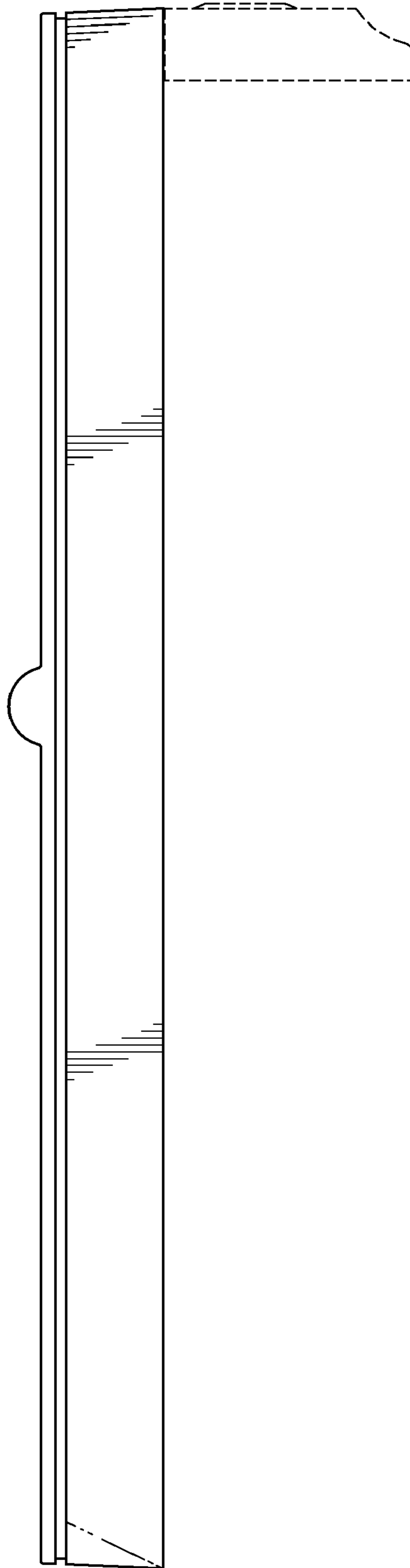


FIG. 4

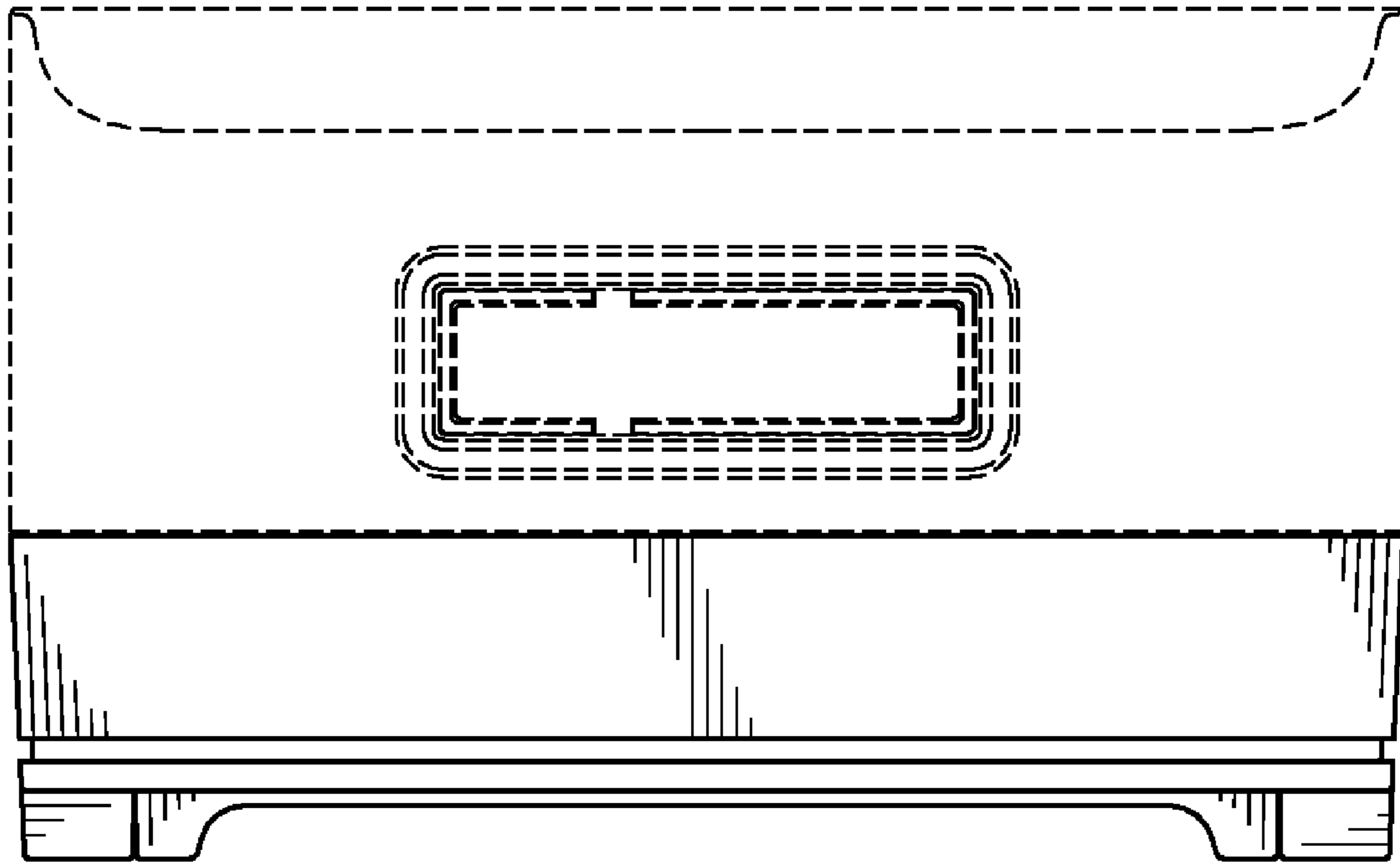


FIG. 5

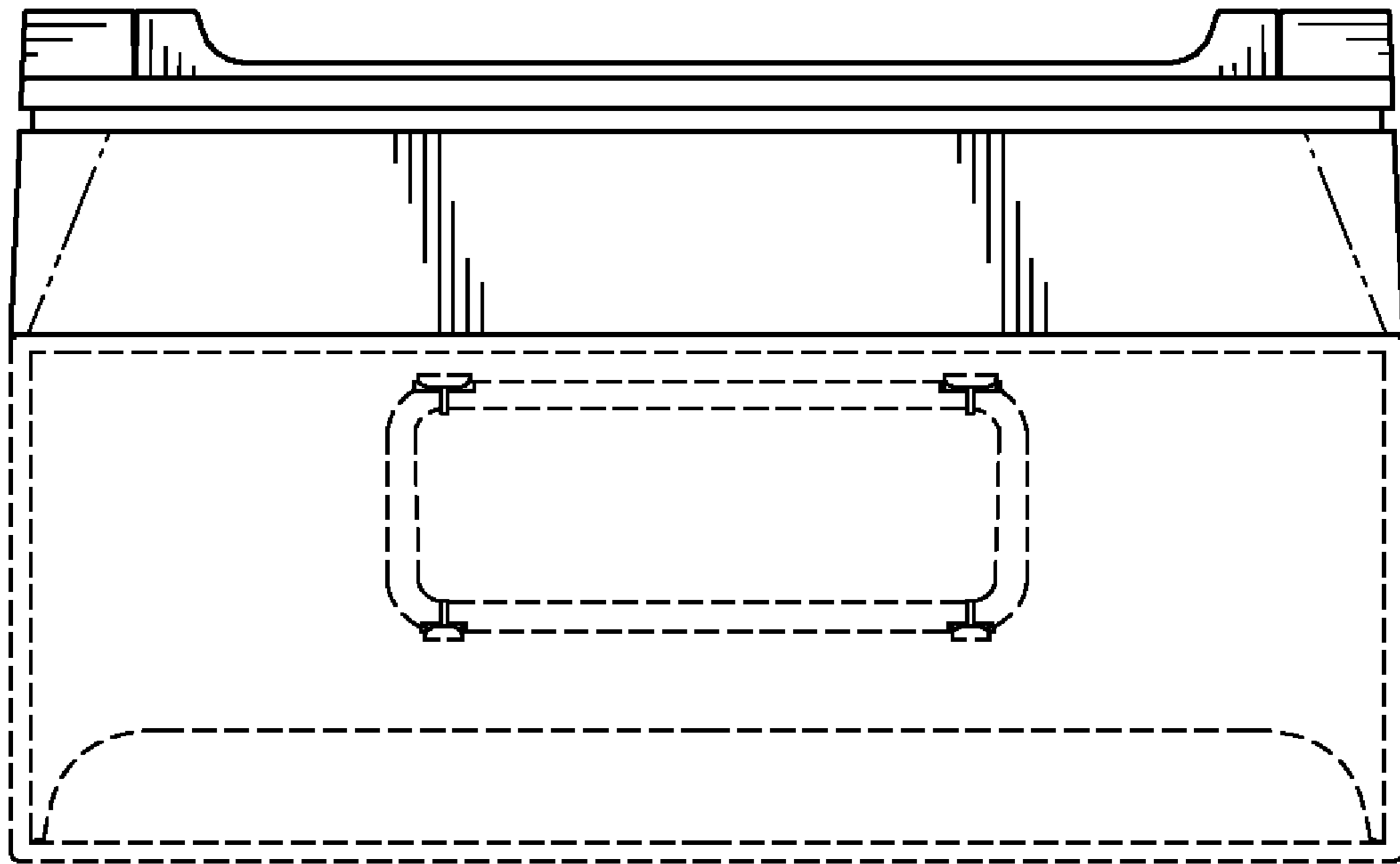


FIG. 6

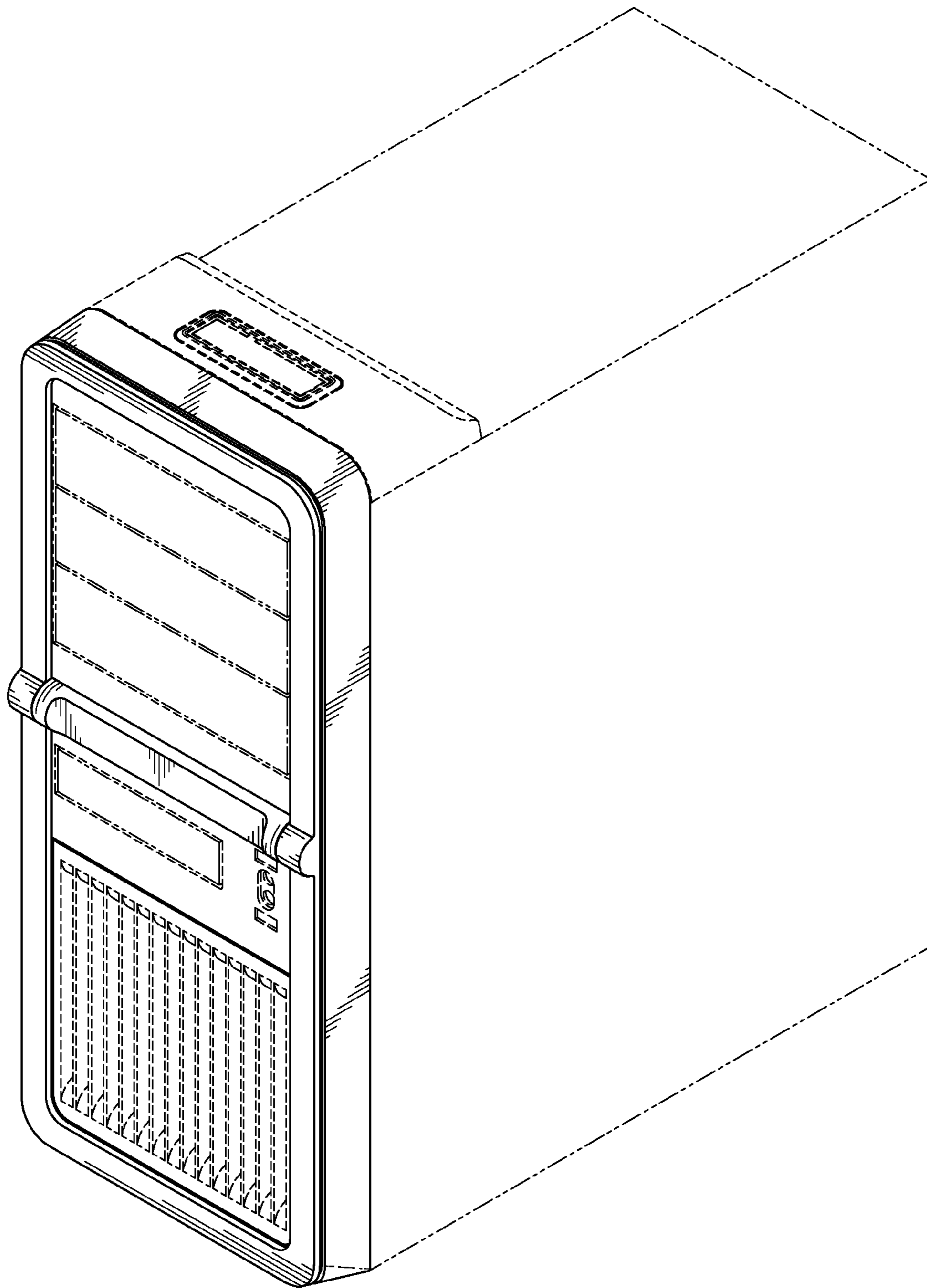


FIG. 7