



US00D592666S

(12) **United States Design Patent**
Inada et al.

(10) **Patent No.:** **US D592,666 S**
(45) **Date of Patent:** **** May 19, 2009**

(54) **ADAPTER**

(75) Inventors: **Katsutoshi Inada**, Iizuka (JP); **Akiya Nakayama**, Iizuka (JP)

(73) Assignee: **Mitsumi Electric Co., Ltd**, Tokyo (JP)

(**) Term: **14 Years**

(21) Appl. No.: **29/305,359**

(22) Filed: **Mar. 19, 2008**

(30) **Foreign Application Priority Data**

Oct. 15, 2007 (JP) 2007-028166

(51) **LOC (9) Cl.** **14-02**

(52) **U.S. Cl.** **D14/433**

(58) **Field of Classification Search** D14/356–358,
D14/383–385, 432–439, 442, 447, 451, 453,
D14/474, 155, 217, 242, 299; D13/107,
D13/108, 118, 120, 123, 133, 146, 147, 154,
D13/158, 182, 184, 199; 361/679, 685, 686,
361/724–728, 683, 639; 439/668, 669, 701,
439/660, 607, 296; 455/351, 353, 325
See application file for complete search history.

(56) **References Cited**

U.S. PATENT DOCUMENTS

- D305,531 S * 1/1990 Suzuki et al. D13/126
- D317,310 S * 6/1991 Schwartz D14/218
- D336,302 S * 6/1993 Kwang et al. D14/221
- D365,326 S * 12/1995 Starec et al. D13/146
- D366,480 S * 1/1996 Shimizu D14/242
- D408,364 S * 4/1999 Hsiang D13/151
- D413,323 S * 8/1999 Tashiro D14/357

- D425,022 S * 5/2000 Jaag et al. D13/133
- D443,859 S * 6/2001 Hogan D13/133
- D469,761 S * 2/2003 Nussberger D14/341
- D482,008 S * 11/2003 Petronio D13/184
- D485,237 S * 1/2004 Hwang et al. D13/123
- D486,829 S * 2/2004 Wang et al. D14/433
- D494,930 S * 8/2004 Ishigami et al. D13/123
- D555,631 S * 11/2007 Hussaini et al. D14/155
- D559,178 S * 1/2008 Ashida et al. D13/110

* cited by examiner

Primary Examiner—Cathron C Brooks

Assistant Examiner—Deanna Fluegeman

(74) *Attorney, Agent, or Firm*—Sughrue Mion, PLLC

(57) **CLAIM**

The ornamental design for an adapter, as shown and described.

DESCRIPTION

FIG. 1 is a perspective view of the top, front and left side of an adapter showing our new design;

FIG. 2 is a perspective view of the bottom, rear and left side thereof;

FIG. 3 is a front elevational view thereof;

FIG. 4 is a rear elevational view thereof;

FIG. 5 is a left side elevational view thereof;

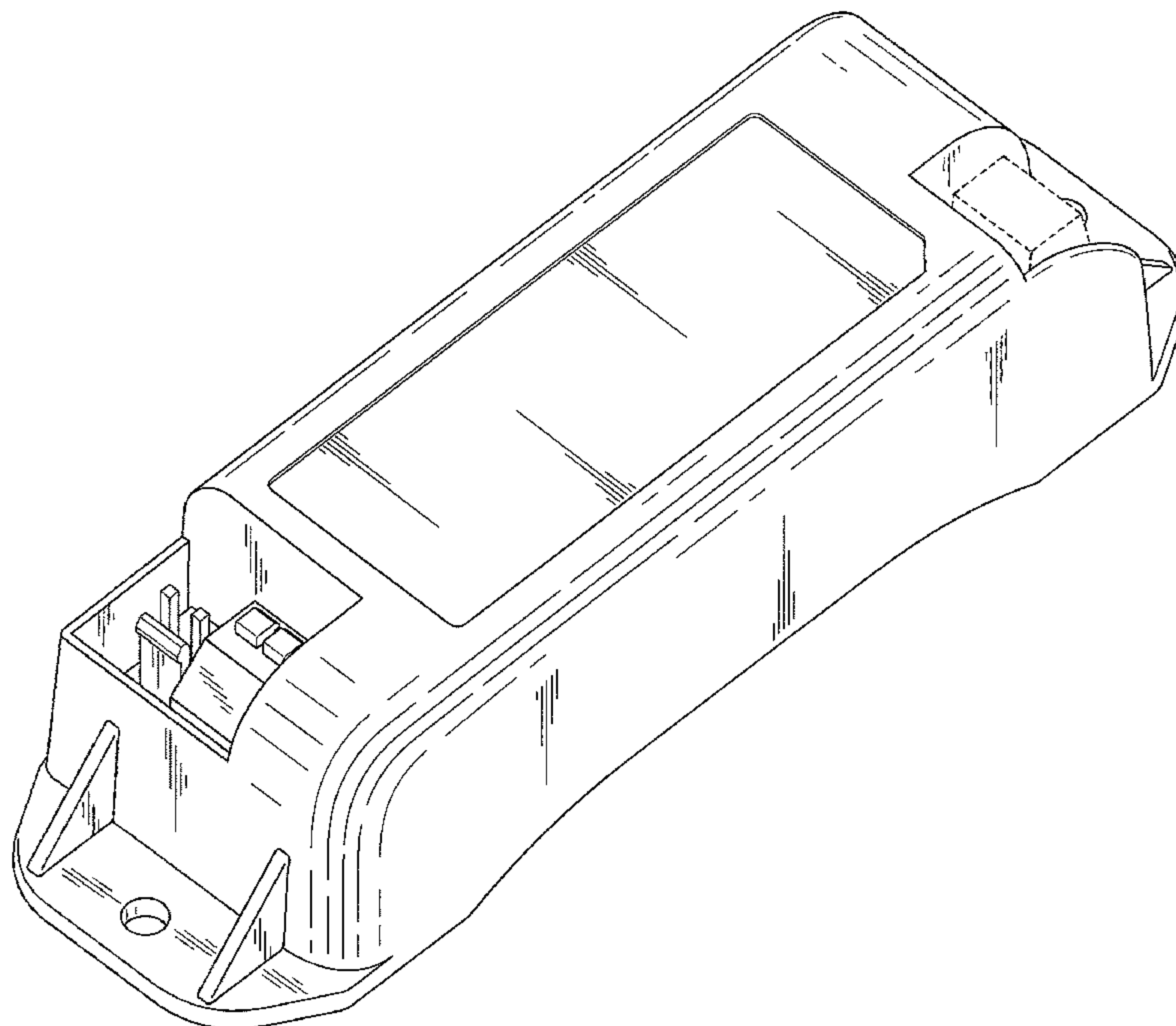
FIG. 6 is a right side elevational view thereof;

FIG. 7 is a top plan view thereof; and,

FIG. 8 is a bottom plan view thereof.

The portions shown in broken lines are for illustrative purposes only and form no part of the claimed design.

1 Claim, 5 Drawing Sheets



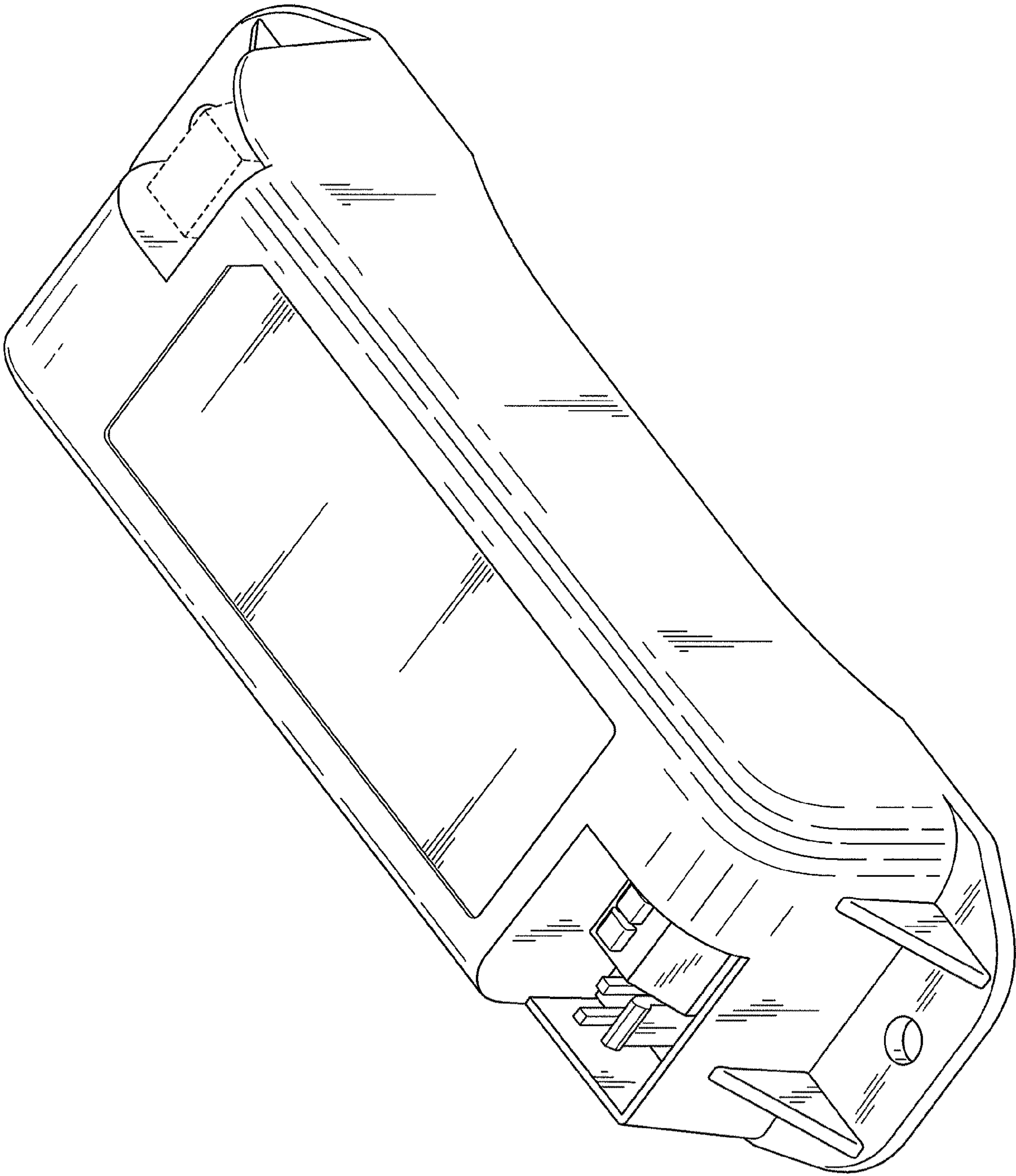


FIG. 1

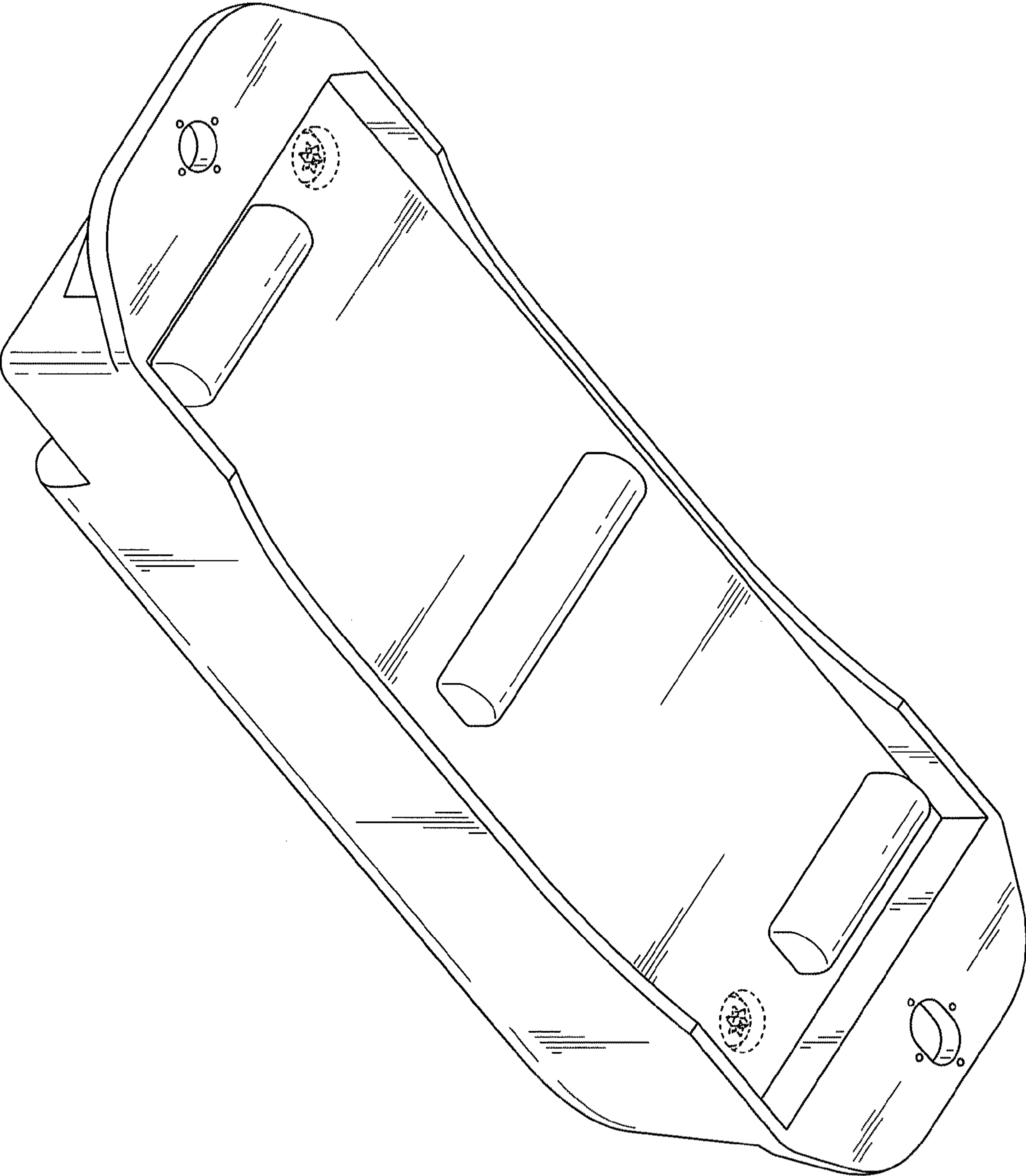


FIG. 2

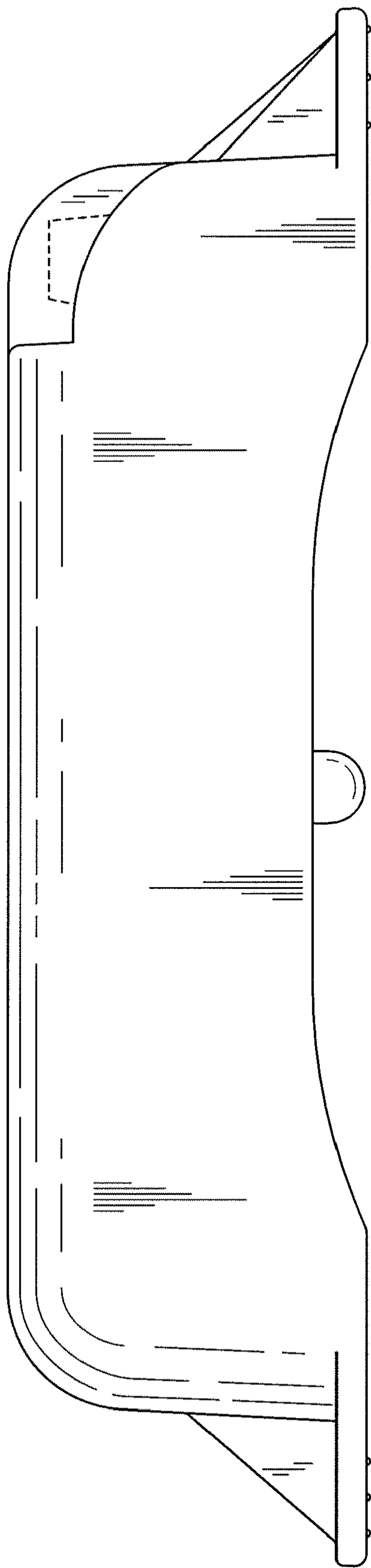


FIG. 3

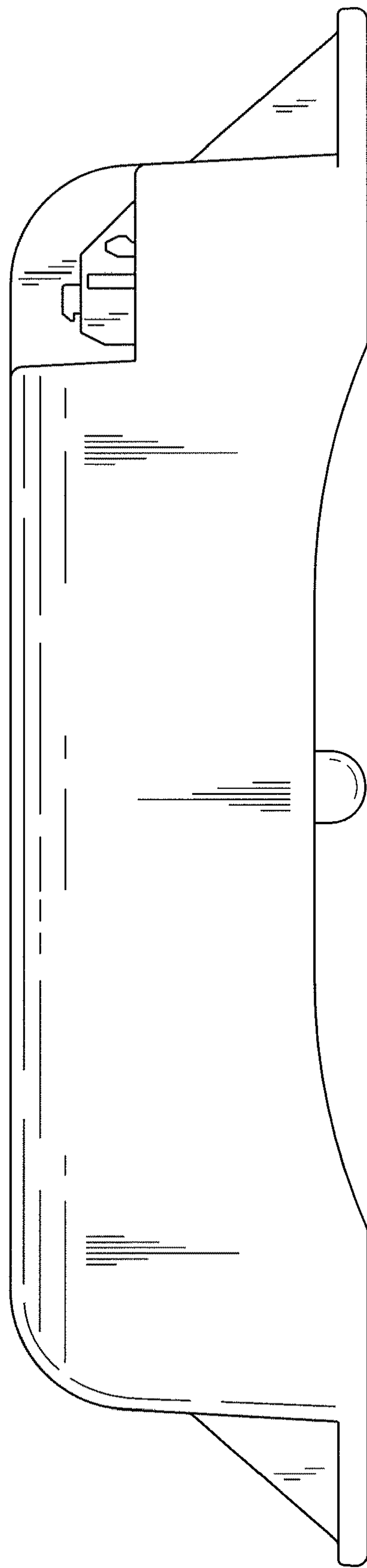


FIG. 4

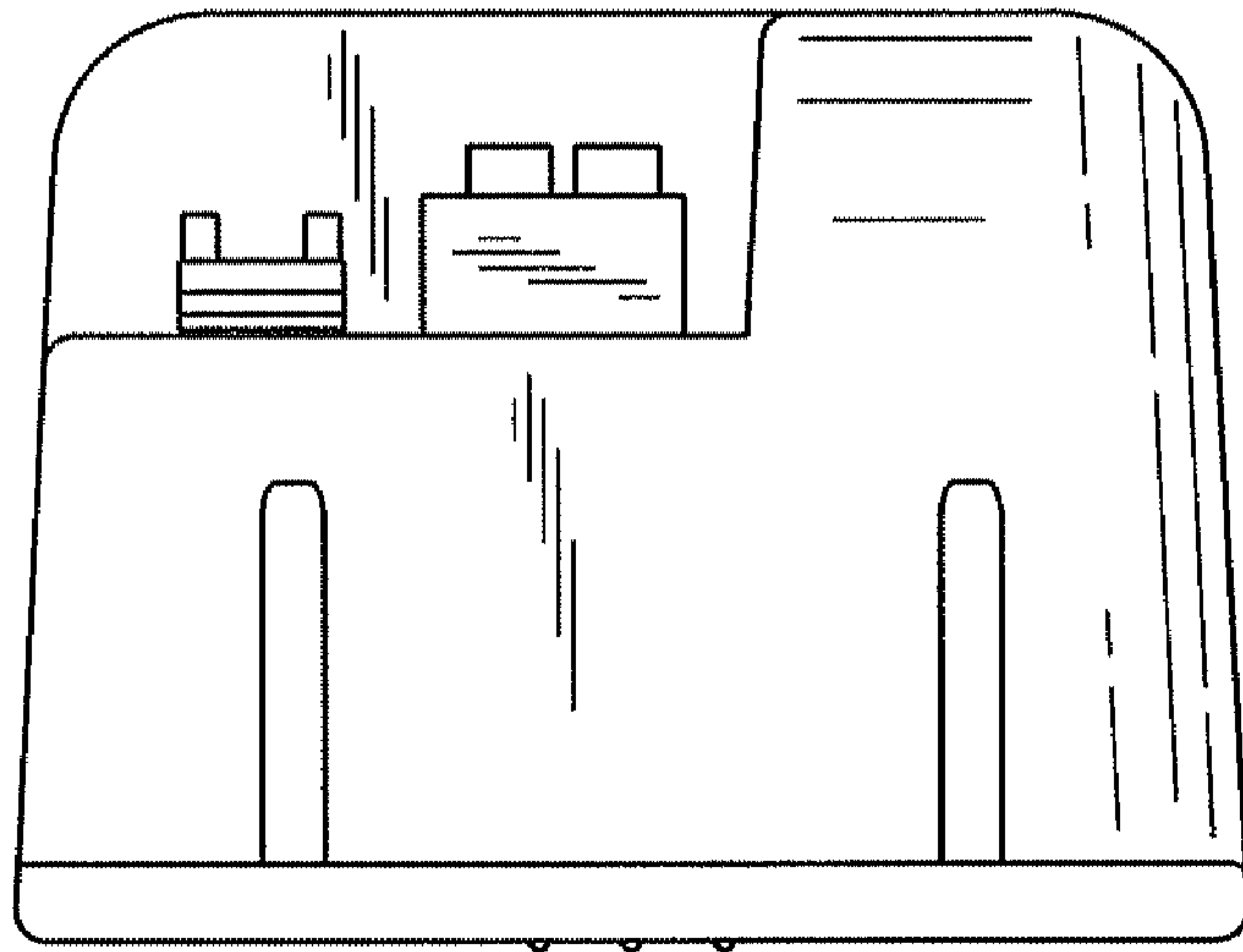


FIG. 5

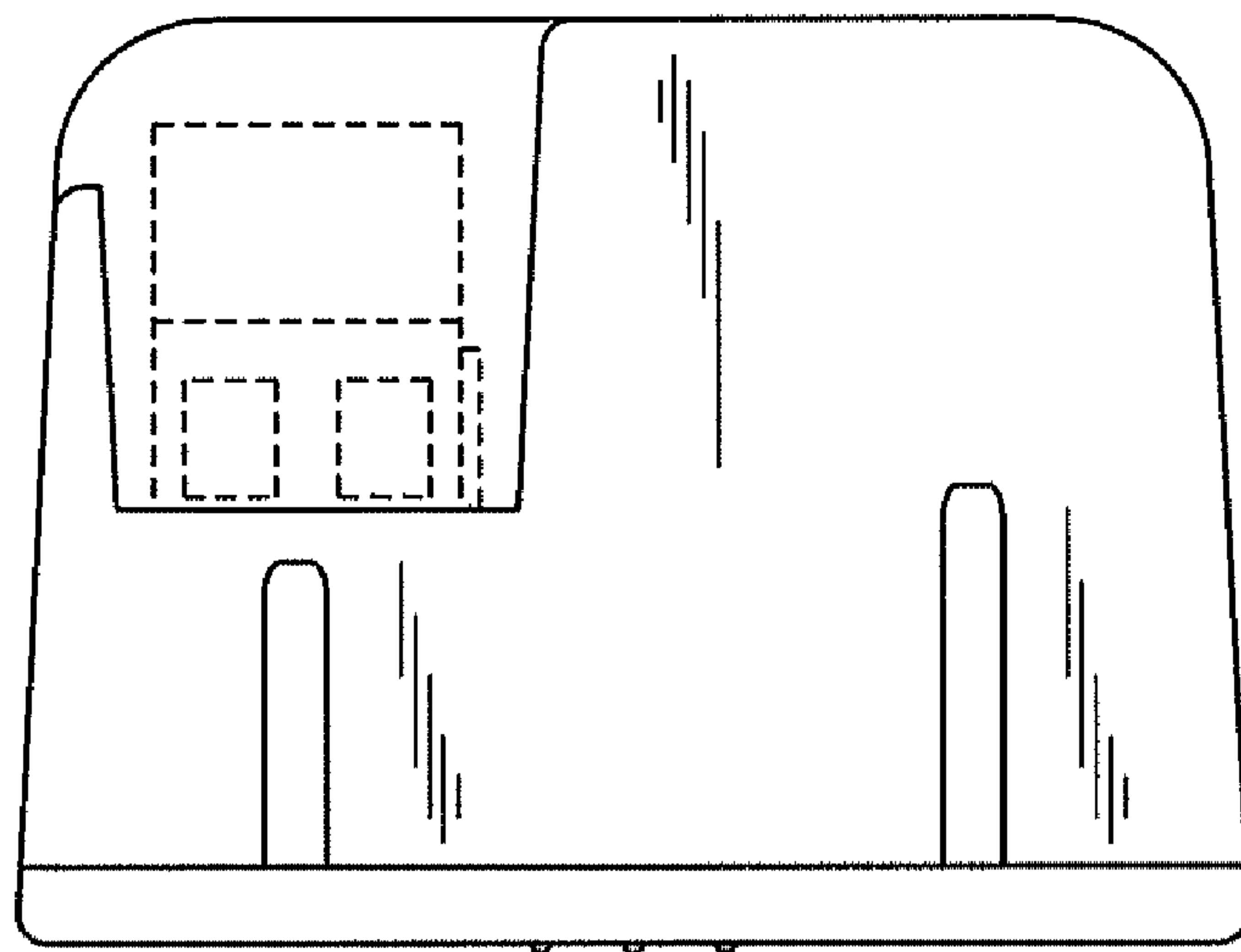


FIG. 6

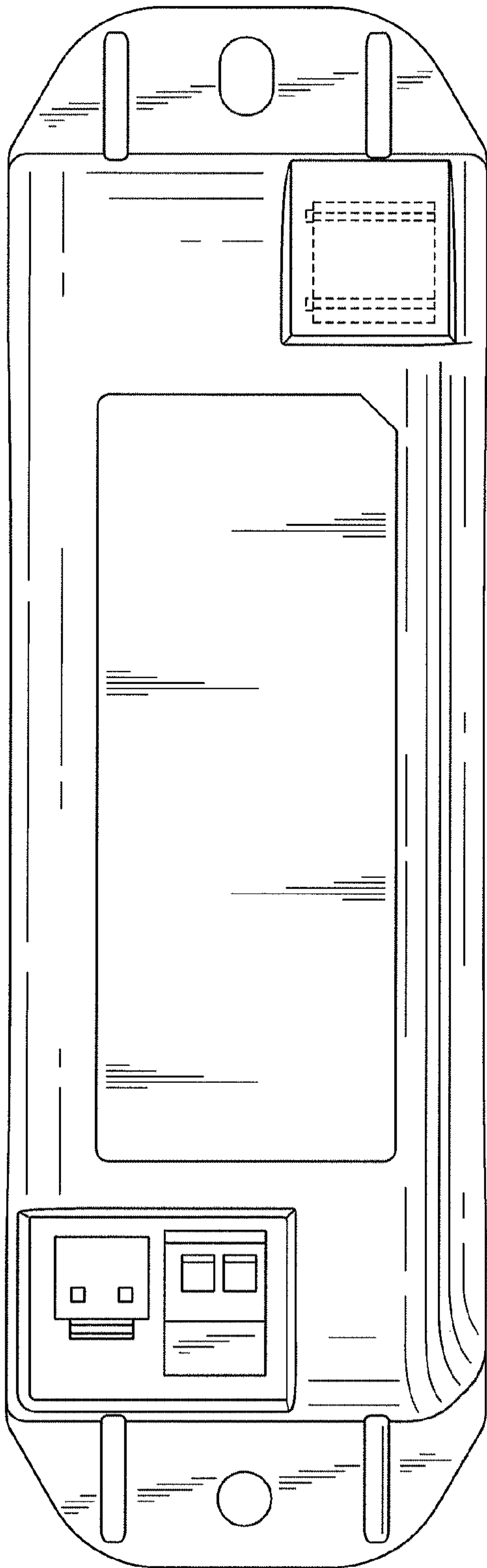


FIG. 7

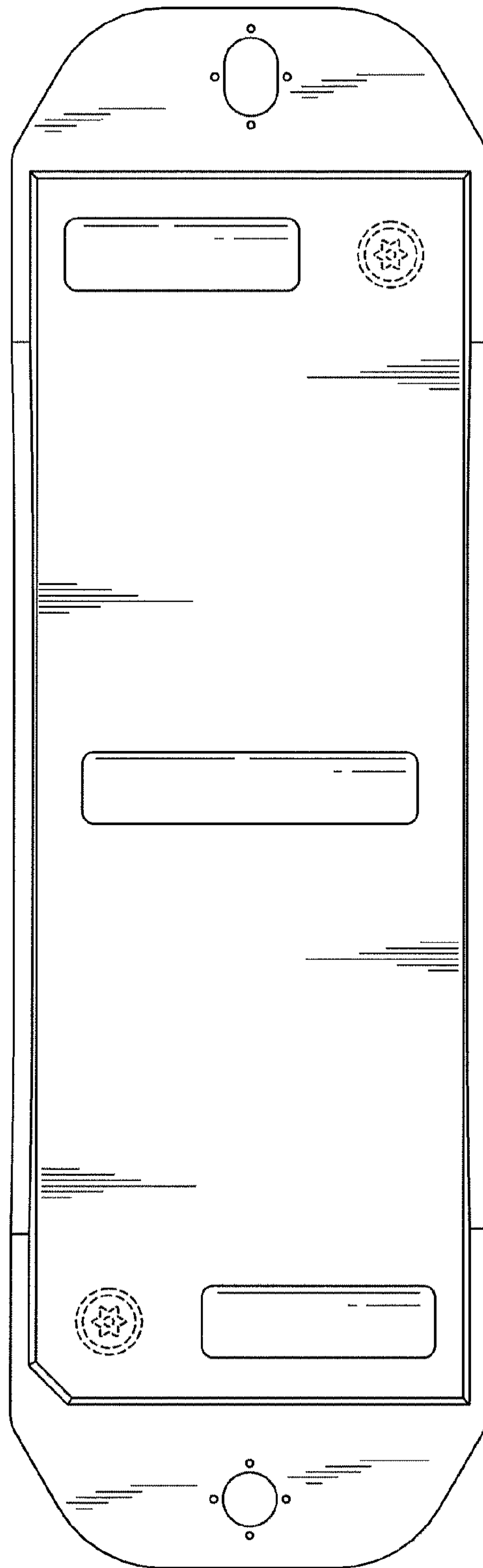


FIG. 8