



US00D592662S

(12) **United States Design Patent**  
**Lai**

(10) **Patent No.:** **US D592,662 S**

(45) **Date of Patent:** **\*\* May 19, 2009**

(54) **EXTERNAL HARD DISK BOX**

(75) Inventor: **Vincent Lai**, Taoyuan Hsien (TW)

(73) Assignee: **In Win Development, Inc.**, Taoyuan Hsien (TW)

(\*\*) Term: **14 Years**

(21) Appl. No.: **29/322,108**

(22) Filed: **Jul. 29, 2008**

(51) **LOC (9) Cl.** ..... **14-02**

(52) **U.S. Cl.** ..... **D14/363**

(58) **Field of Classification Search** ..... D14/348,  
D14/352-370; D13/149, 184; 361/683-686,  
361/724, 725, 752; 360/131-133, 97.03,  
360/97.01; 174/52.1; 369/272.1, 273, 75.11,  
369/13.01

See application file for complete search history.

(56) **References Cited**

**U.S. PATENT DOCUMENTS**

D457,521 S \* 5/2002 Sherry ..... D14/367  
6,891,721 B2 \* 5/2005 Huang ..... 361/685  
D511,343 S \* 11/2005 Solomon et al. .... D14/356

D520,997 S \* 5/2006 Lee et al. .... D14/356  
D532,786 S \* 11/2006 Iseki ..... D14/365  
D568,312 S \* 5/2008 Wang et al. .... D14/356  
D577,021 S \* 9/2008 Kuang et al. .... D14/363  
D580,435 S \* 11/2008 Huang et al. .... D14/356

\* cited by examiner

*Primary Examiner*—Brian N Vinson

(74) *Attorney, Agent, or Firm*—Pro-TECHTOR Int'l Services

(57) **CLAIM**

The ornamental design for external hard disk box, as shown and described.

**DESCRIPTION**

FIG. 1 is a perspective view of external hard disk box showing my new design;

FIG. 2 is a front elevational view thereof;

FIG. 3 is a rear elevational view thereof;

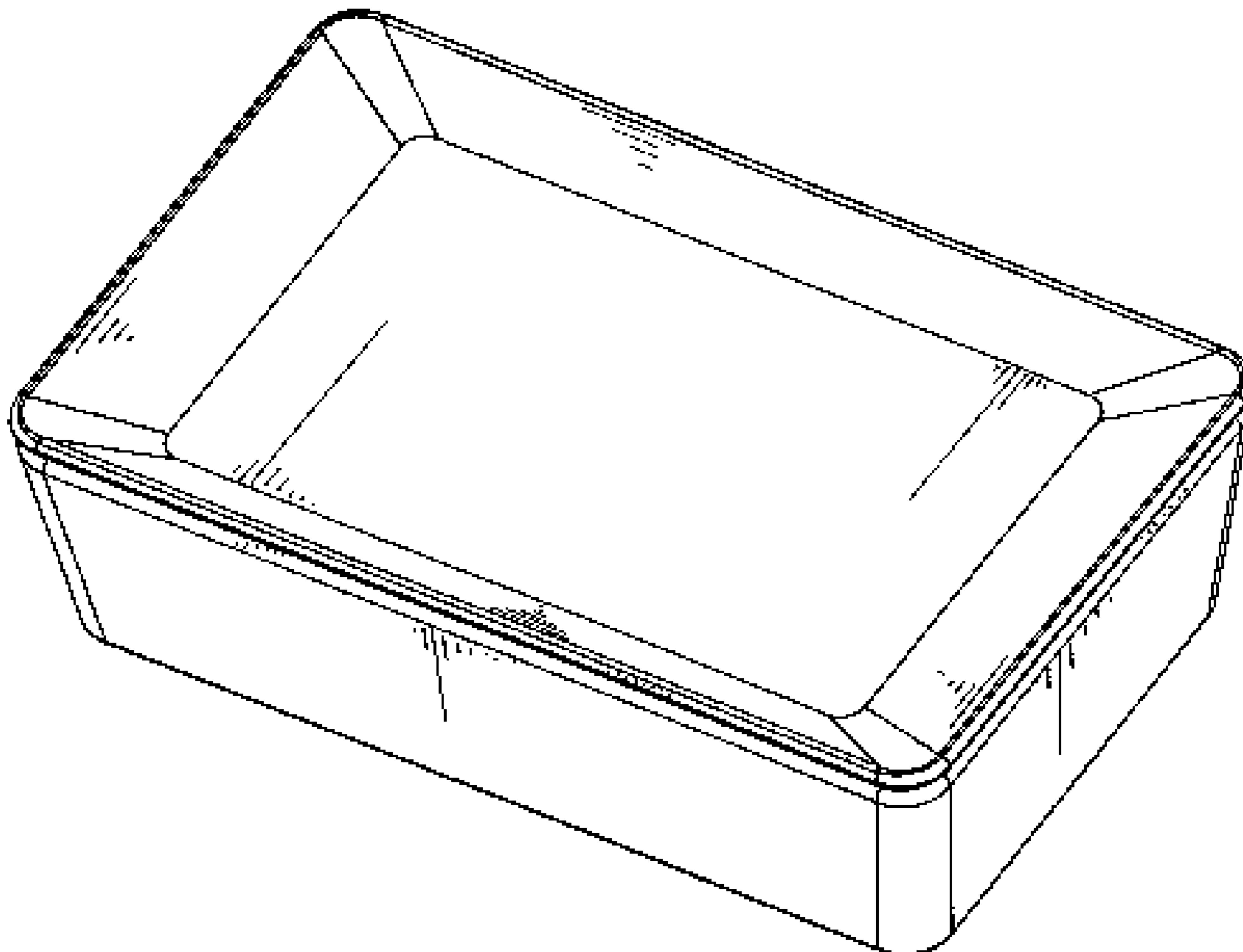
FIG. 4 is a top plan view thereof;

FIG. 5 is a bottom plan view thereof;

FIG. 6 is a left side elevational view thereof; and,

FIG. 7 is a right side elevational view thereof.

**1 Claim, 4 Drawing Sheets**



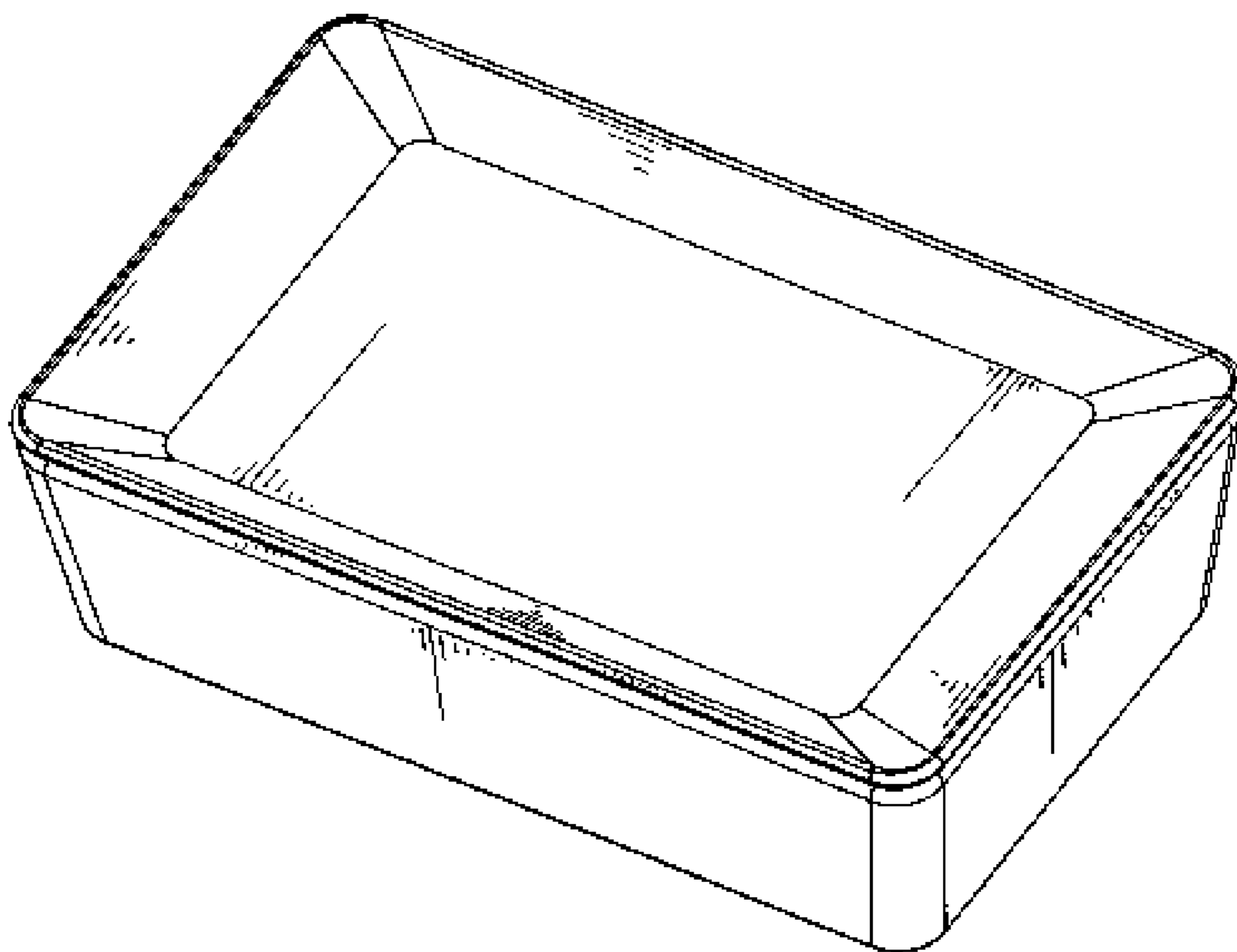


FIG. 1

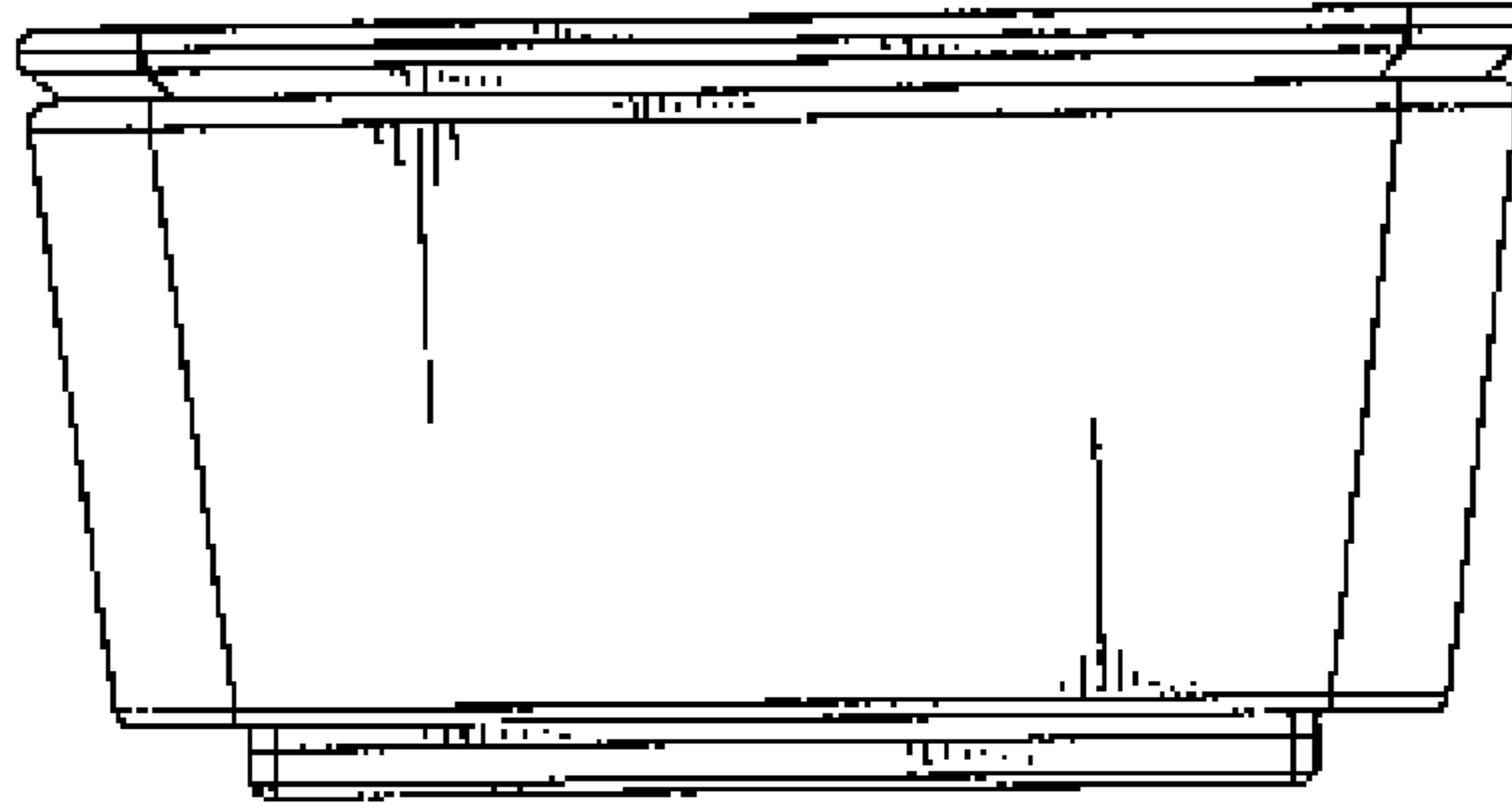


FIG. 2

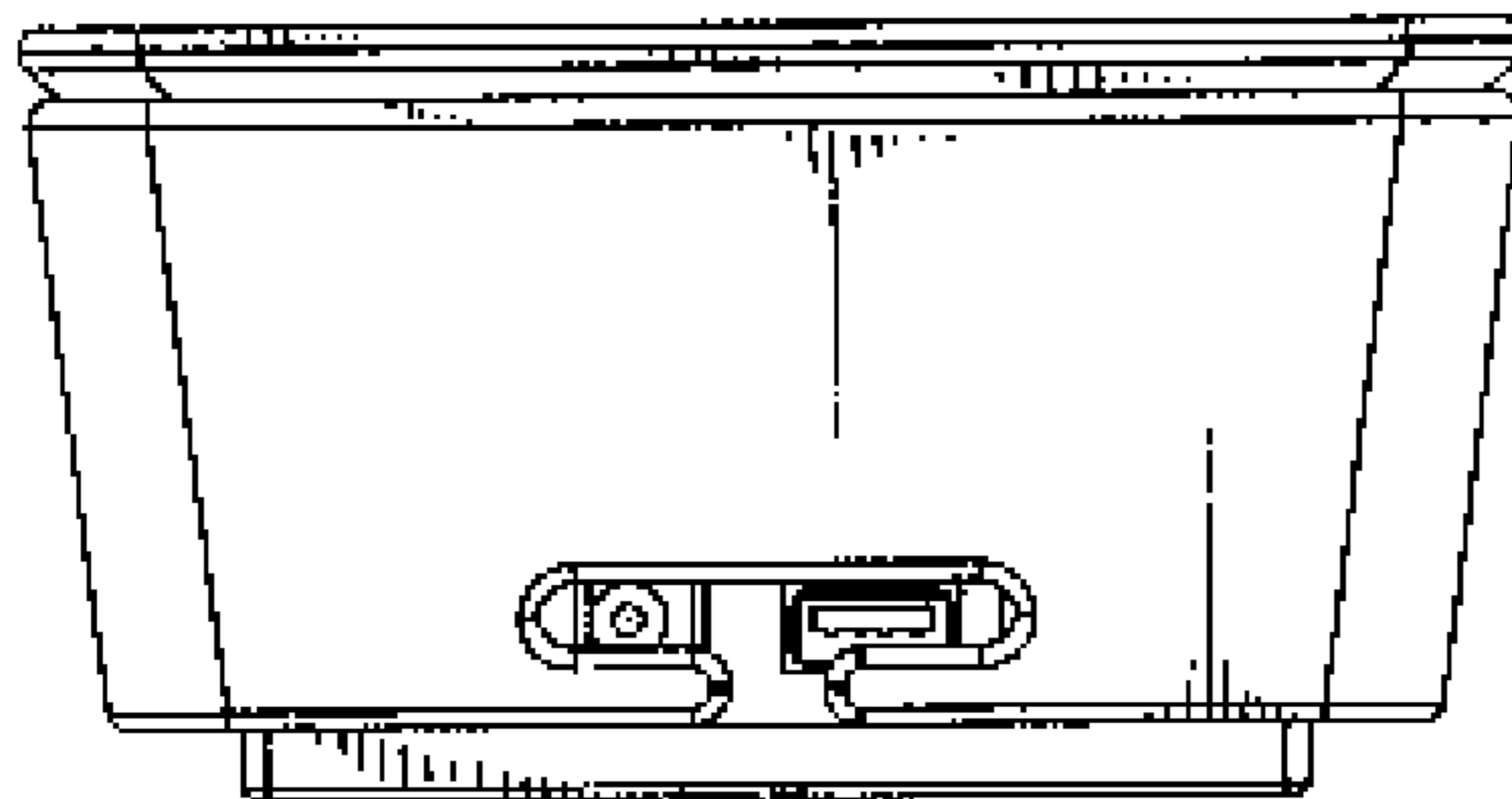


FIG. 3

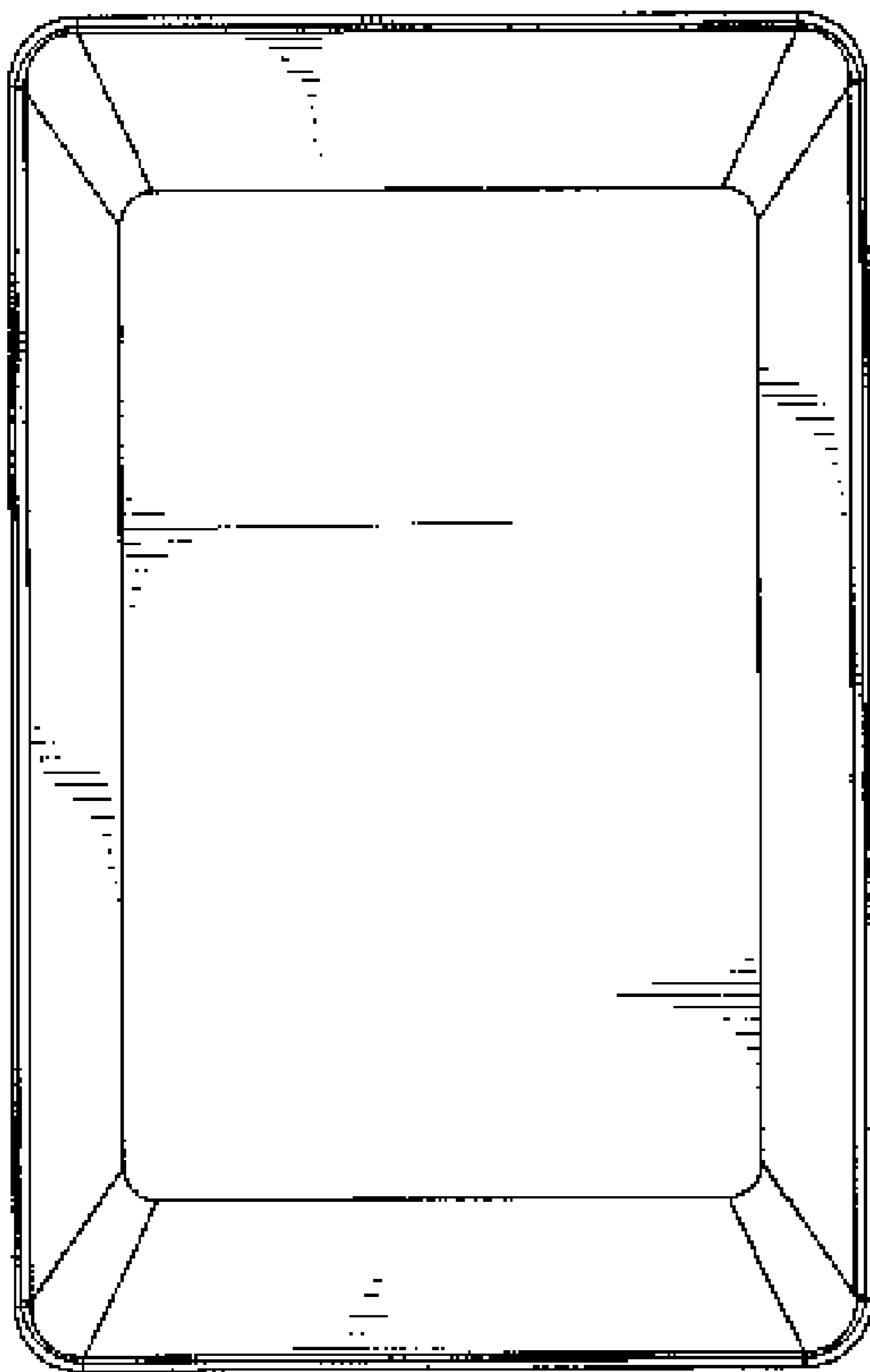


FIG. 4

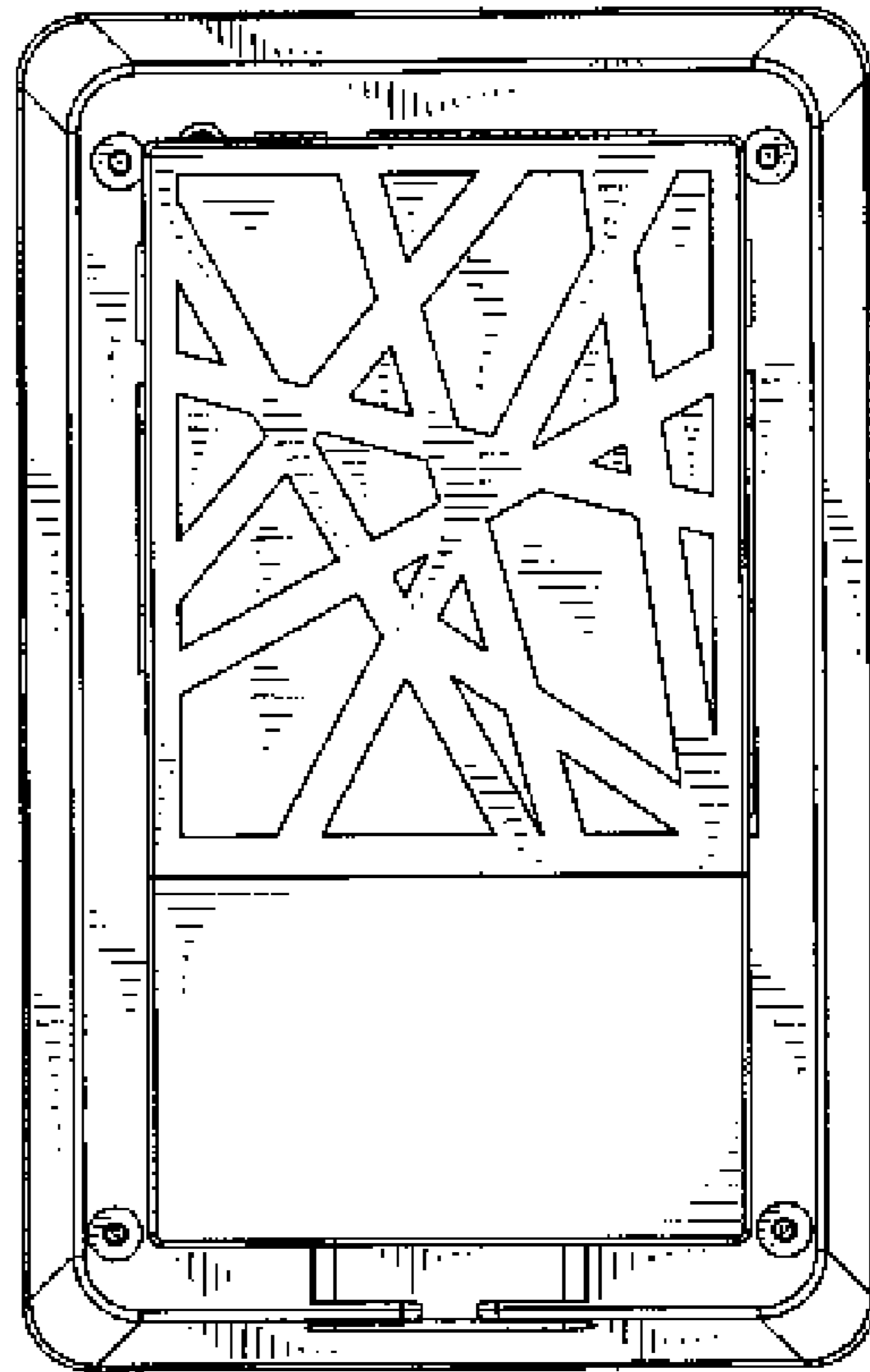


FIG. 5

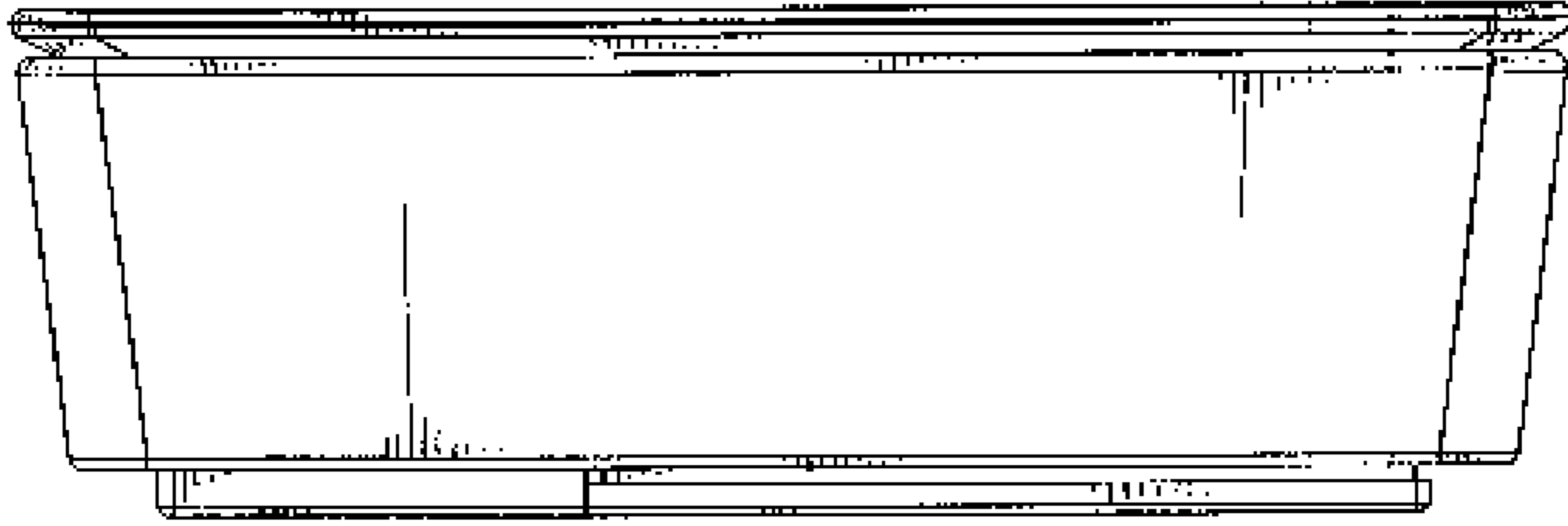


FIG. 6

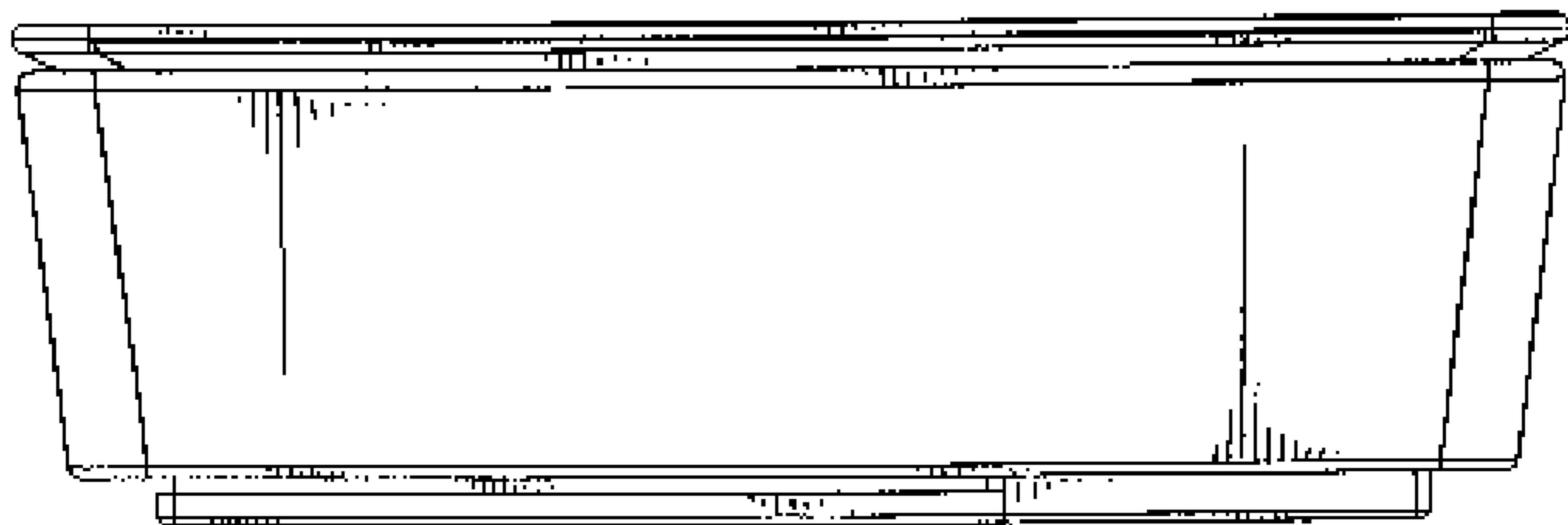


FIG. 7