

US00D592661S

(12) **United States Design Patent**
Woo et al.

(10) **Patent No.:** **US D592,661 S**

(45) **Date of Patent:** **** May 19, 2009**

(54) **MODEM**

(75) Inventors: **Sang-Sung Woo**, Seoul (KR);
Dae-Joung Kim, Seoul (KR)

(73) Assignee: **Samsung Electronics Co., Ltd.**,
Suwon-Si (KR)

(**) Term: **14 Years**

(21) Appl. No.: **29/269,312**

(22) Filed: **Nov. 29, 2006**

(30) **Foreign Application Priority Data**

Jun. 5, 2006 (KR) 30-2006-0020872

(51) **LOC (9) Cl.** **14-02**

(52) **U.S. Cl.** **D14/358; D14/242**

(58) **Field of Classification Search** D14/242,
D14/496, 240, 167, 302, 314, 348-358, 363,
D14/383, 433; D13/149, 184; D3/201, 273;
379/220.01, 221.09, 220.14, 25, 93.09, 93.19,
379/156, 900, 338-339, 441; 711/100, 115;
361/658, 725, 752; 369/272.1, 273, 75.11;
360/133, 79.01, 97.03

See application file for complete search history.

(56) **References Cited**

U.S. PATENT DOCUMENTS

| | | | | |
|--------------|---------|------------------|-------|---------|
| D262,106 S * | 12/1981 | Frassanito | | D14/242 |
| D309,728 S * | 8/1990 | Nuttall et al. | | D14/356 |
| D322,963 S * | 1/1992 | Kittirutsunetorn | | D14/242 |
| D407,393 S * | 3/1999 | Kazama | | D14/125 |
| D432,523 S * | 10/2000 | Grinkus et al. | | D14/217 |
| D464,339 S * | 10/2002 | Tomino et al. | | D14/240 |
| D470,848 S * | 2/2003 | Morooka | | D14/433 |
| D480,372 S * | 10/2003 | Chen et al. | | D14/136 |
| D520,502 S * | 5/2006 | Xu et al. | | D14/356 |
| D522,531 S * | 6/2006 | Solomon et al. | | D14/496 |
| D523,014 S * | 6/2006 | Liu et al. | | D14/433 |
| D529,903 S * | 10/2006 | McRae et al. | | D14/240 |
| D530,325 S * | 10/2006 | Kerila et al. | | D14/356 |
| D534,182 S * | 12/2006 | Leija et al. | | D14/496 |

| | | | | |
|--------------|---------|---------------|-------|---------|
| D535,281 S * | 1/2007 | Yang | | D14/167 |
| D535,650 S * | 1/2007 | Wong et al. | | D14/240 |
| D535,651 S * | 1/2007 | Wong et al. | | D14/240 |
| D536,333 S * | 2/2007 | McRae et al. | | D14/240 |
| D536,696 S * | 2/2007 | McRae et al. | | D14/240 |
| D538,795 S * | 3/2007 | Wong et al. | | D14/240 |
| D540,793 S * | 4/2007 | Kim et al. | | D14/358 |
| D541,274 S * | 4/2007 | Wang | | D14/356 |
| D542,784 S * | 5/2007 | Franck et al. | | D14/240 |
| D556,199 S * | 11/2007 | Song | | D14/357 |
| D561,750 S * | 2/2008 | Liu et al. | | D14/240 |
| D562,264 S * | 2/2008 | Jeong et al. | | D13/164 |
| D562,813 S * | 2/2008 | Storti et al. | | D14/240 |
| D562,814 S * | 2/2008 | Liu et al. | | D14/240 |
| D563,943 S * | 3/2008 | Watanabe | | D14/188 |
| D564,493 S * | 3/2008 | Tejima | | D14/168 |

(Continued)

Primary Examiner—Ian Simmons

Assistant Examiner—Charles D Hanson

(74) *Attorney, Agent, or Firm*—Staas & Halsey LLP

(57) **CLAIM**

The ornamental design for a modem, as shown and described.

DESCRIPTION

FIG. 1 is a perspective view of a modem according to our new design;

FIG. 2 is a front elevational view thereof;

FIG. 3 is a rear elevational view thereof;

FIG. 4 is a left side elevational view thereof;

FIG. 5 is a right side elevational view thereof;

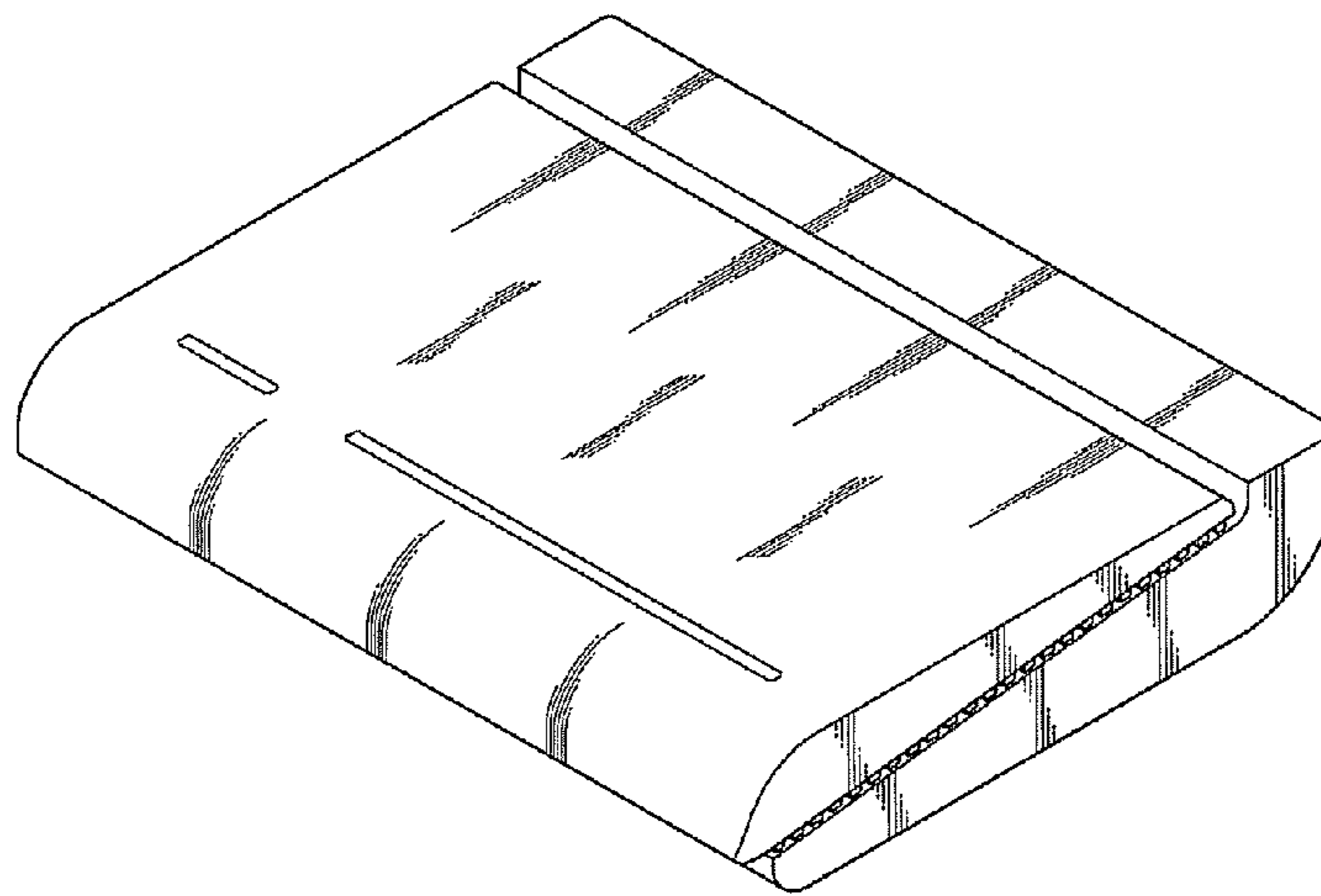
FIG. 6 is a top plan view thereof; and,

FIG. 7 is a bottom plan view thereof.

The surface(s) or portion(s) of the article not shown in the drawing or described in the specification form(s) no part of the claimed design.

The broken lines in the drawings are for illustrative purpose only and form no part of the claimed design.

1 Claim, 7 Drawing Sheets



US D592,661 S

Page 2

U.S. PATENT DOCUMENTS

| | | | | | | | |
|--------------|--------|----------------------|---------|--------------|--------|------------------|---------|
| D565,568 S * | 4/2008 | Trifilio et al. | D14/356 | D568,312 S * | 5/2008 | Wang et al. | D14/356 |
| D565,571 S * | 4/2008 | Trifilio et al. | D14/434 | D571,743 S * | 6/2008 | Tu | D14/125 |
| D566,115 S * | 4/2008 | Swanson et al. | D14/358 | D573,144 S * | 7/2008 | Lin | D14/358 |
| D566,710 S * | 4/2008 | Chun et al. | D14/358 | D574,823 S * | 8/2008 | Wung | D14/357 |

* cited by examiner

FIG.1

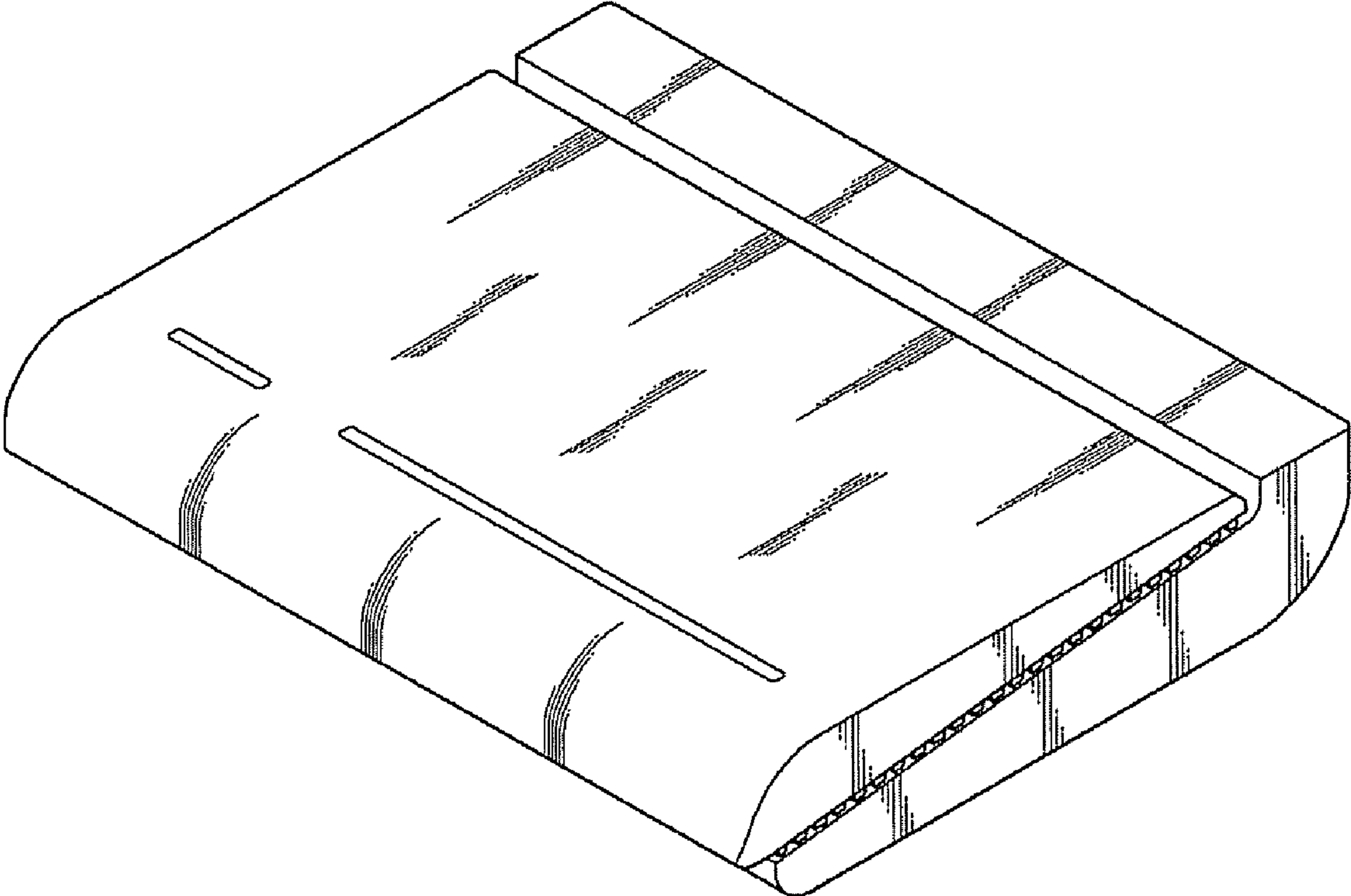


FIG.2

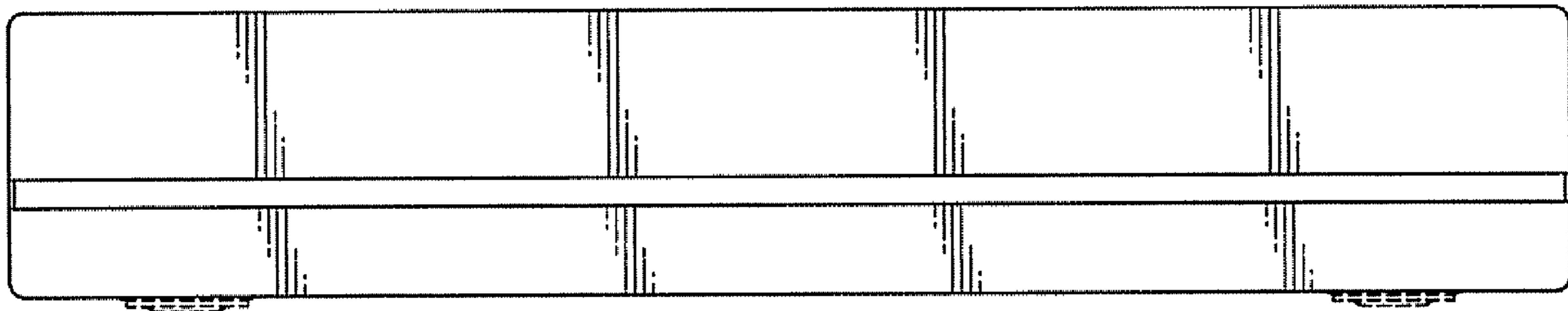


FIG.3

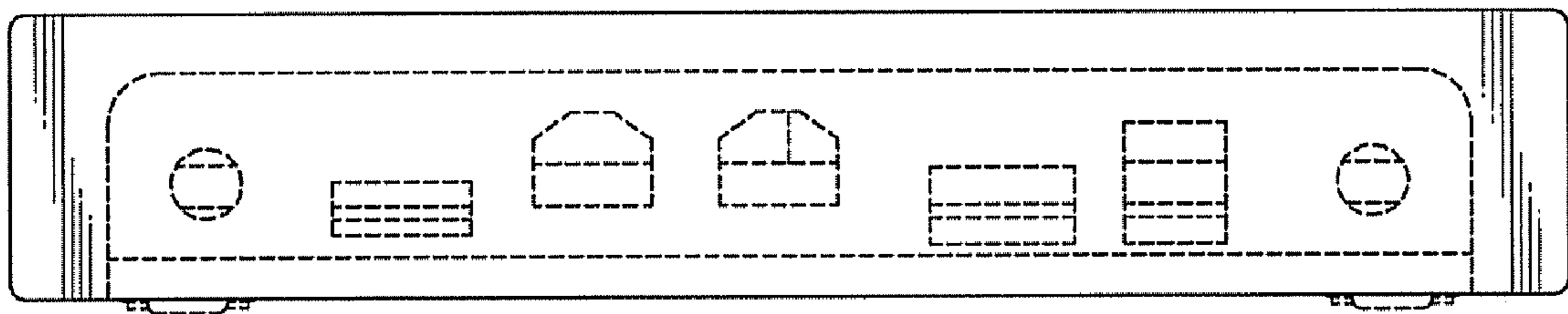


FIG.4

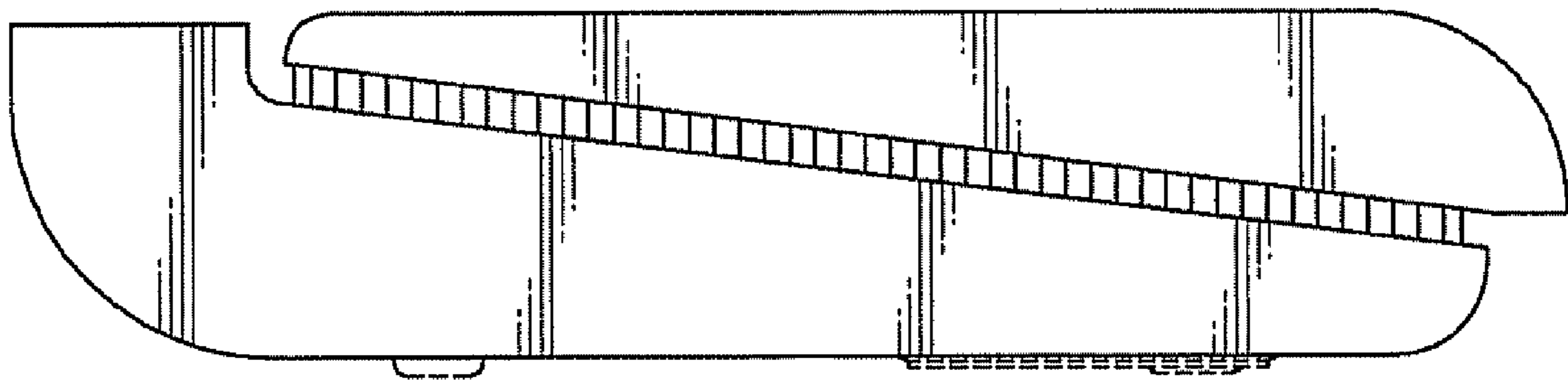


FIG.5

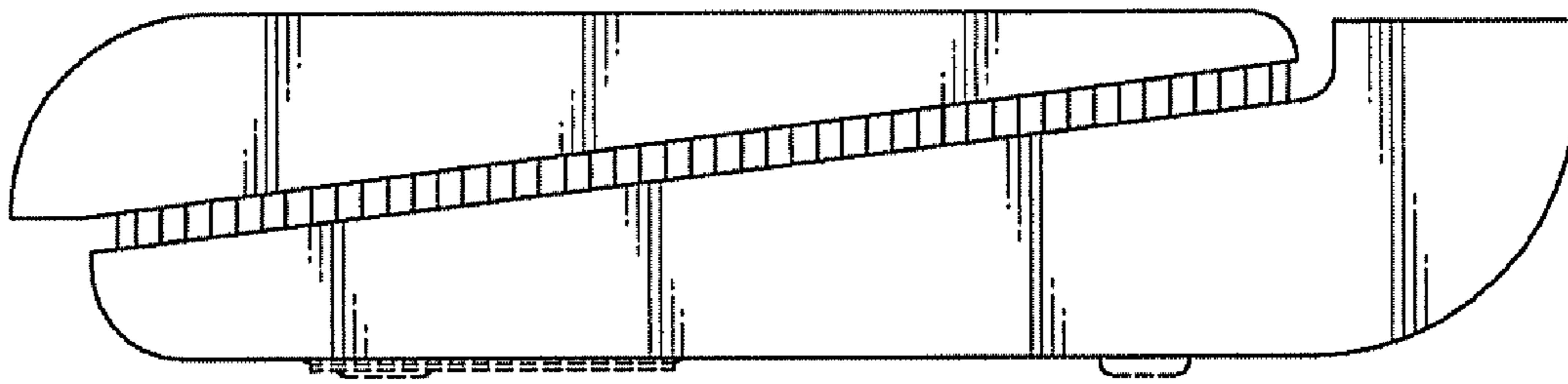


FIG.6

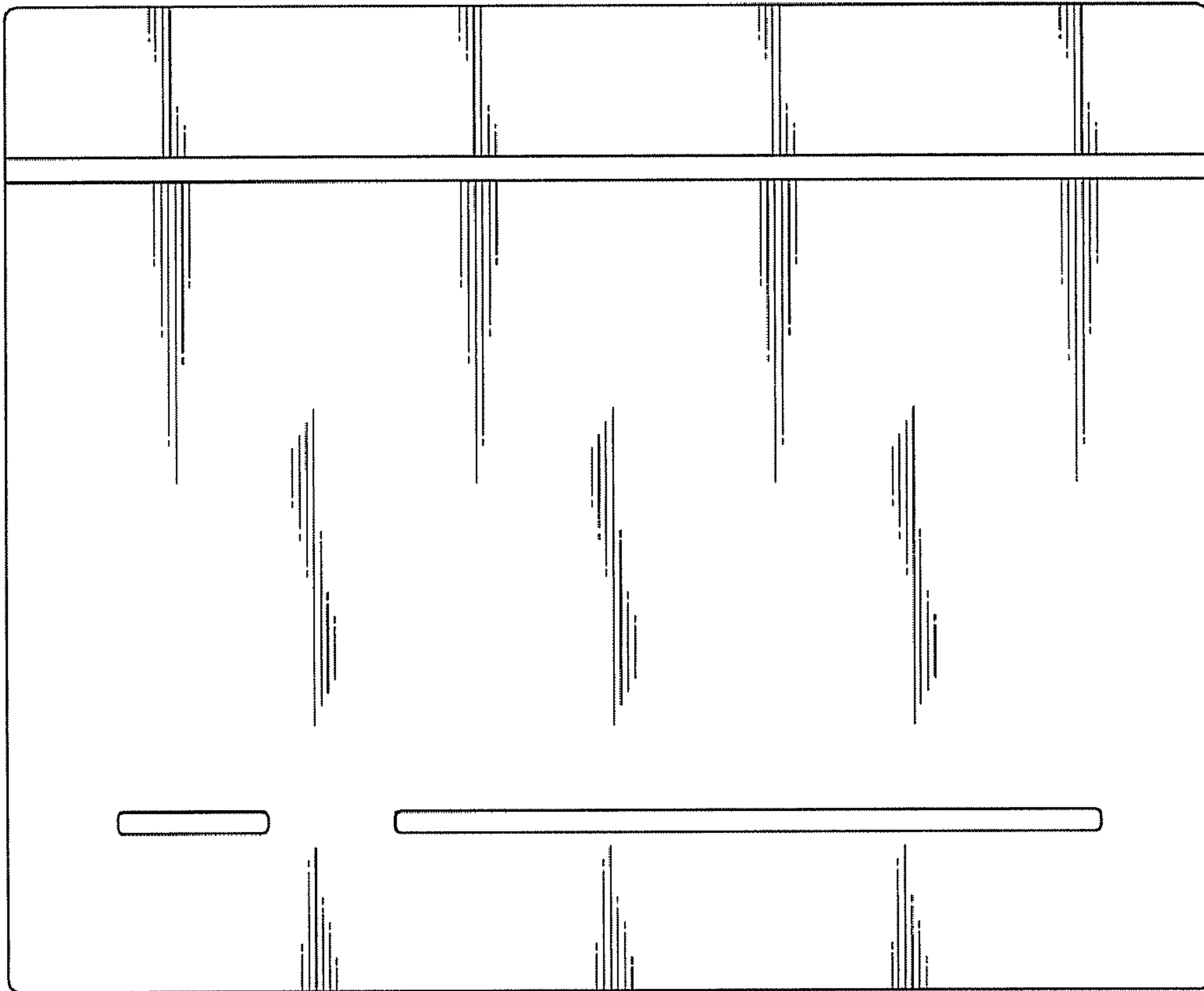


FIG.7

