

US00D592658S

(12) **United States Design Patent**  
**Sugiyama et al.**

(10) **Patent No.:** **US D592,658 S**

(45) **Date of Patent:** **\*\* May 19, 2009**

(54) **DATA INPUT AND OUTPUT TERMINAL**

(75) Inventors: **Satoru Sugiyama**, Kawasaki (JP);  
**Manabu Hayahi**, Kawasaki (JP);  
**Mariko Jinno**, Tokyo (JP); **Takashi**  
**Matsuda**, Tokyo (JP)

(73) Assignee: **NEC Infrontia Corporation**,  
Kawasaki-shi (JP)

(\*\*) Term: **14 Years**

(21) Appl. No.: **29/301,393**

(22) Filed: **Feb. 27, 2008**

(30) **Foreign Application Priority Data**

Sep. 11, 2007 (JP) ..... 2007-024767

(51) **LOC (9) Cl.** ..... **14-02**

(52) **U.S. Cl.** ..... **D14/336**

(58) **Field of Classification Search** ..... D14/336,  
D14/337, 371, 125-129; 345/87, 104, 156,  
345/168, 173; 348/180, 184, 325, 739; 349/1,  
349/2, 11, 62; D18/4.5, 4.6; 361/680-686  
See application file for complete search history.

(56) **References Cited**

**U.S. PATENT DOCUMENTS**

D354,949 S \* 1/1995 Yao ..... D14/337  
D381,651 S \* 7/1997 Banik et al. .... D14/129  
D411,517 S \* 6/1999 Lin ..... D14/336  
D419,535 S \* 1/2000 Tanimura ..... D14/337  
D432,533 S \* 10/2000 Jin ..... D14/336

D504,426 S \* 4/2005 Shoda et al. .... D14/336  
7,002,793 B2 \* 2/2006 Imsand ..... 361/683  
D522,503 S \* 6/2006 Noda et al. .... D14/337  
D526,002 S \* 8/2006 Nakajima et al. .... D18/4.5  
D536,337 S \* 2/2007 Chuang ..... D14/336  
D542,834 S \* 5/2007 Ando et al. .... D18/4.6  
D543,978 S \* 6/2007 Kawase ..... D14/337

\* cited by examiner

*Primary Examiner*—Freda S Nunn

(74) *Attorney, Agent, or Firm*—Frishauf, Holtz, Goodman &  
Chick, P.C.

(57) **CLAIM**

The ornamental design for a data input and output terminal, as  
shown and described.

**DESCRIPTION**

FIG. 1 is a top, front, right side perspective view of a data  
input and output terminal showing our new design;

FIG. 2 is a front elevational view thereof;

FIG. 3 is a rear elevational view thereof;

FIG. 4 is a left side view thereof;

FIG. 5 is a right side view thereof;

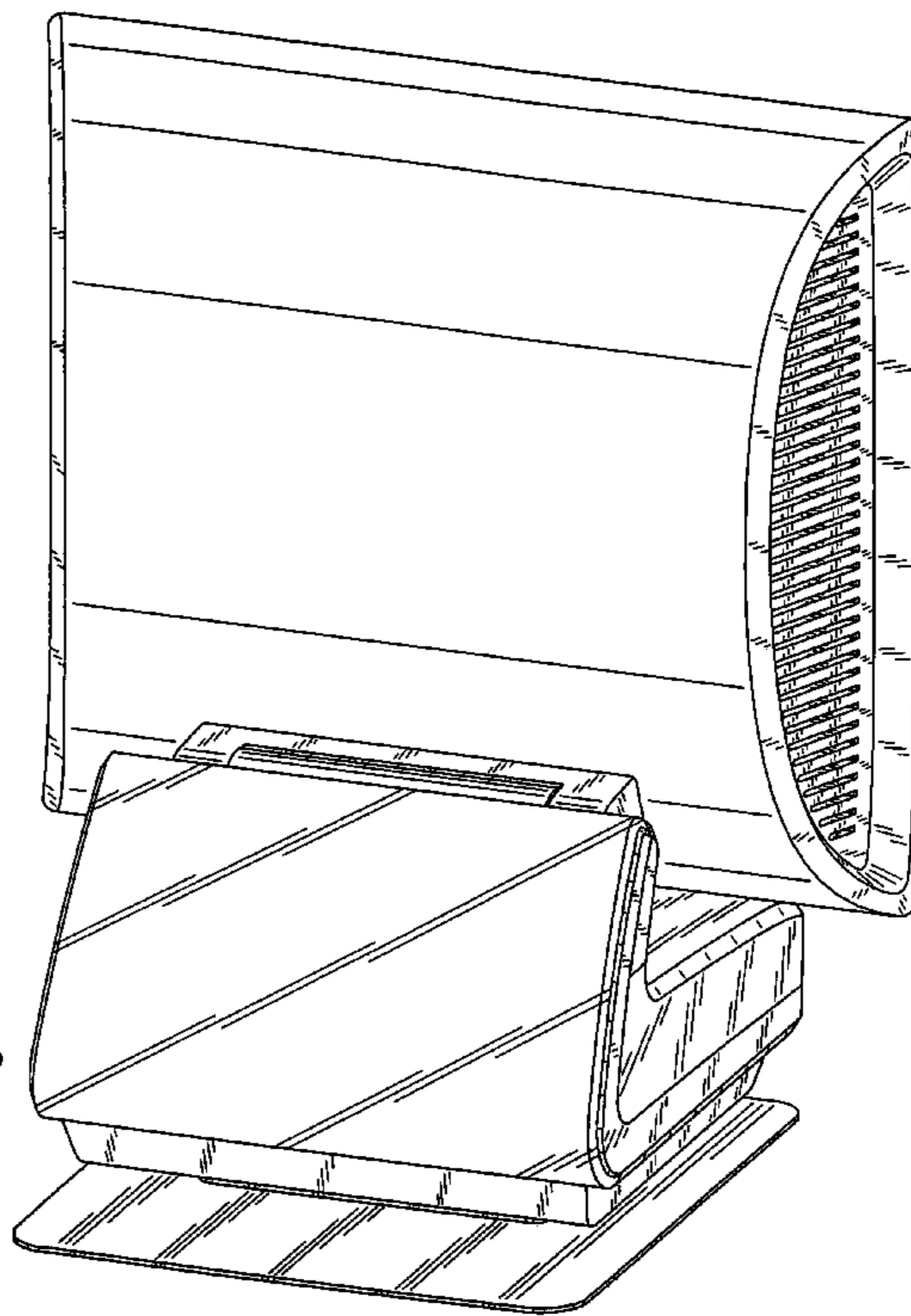
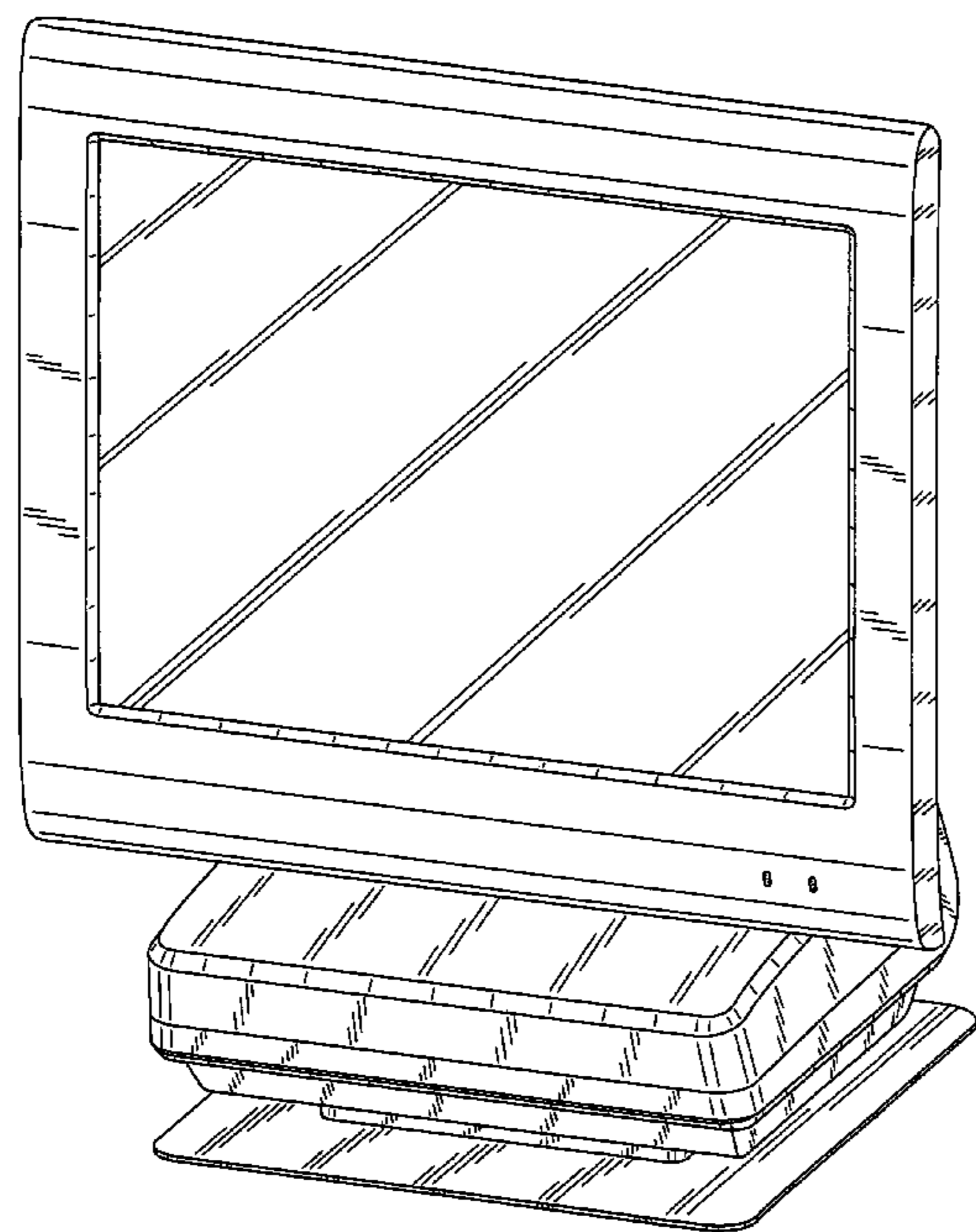
FIG. 6 is a top plan view thereof;

FIG. 7 is a bottom plan view thereof;

FIG. 8 is a top, rear, left side perspective view thereof; and,

FIG. 9 is a right side view thereof showing a state in which a  
display part is moved.

**1 Claim, 9 Drawing Sheets**



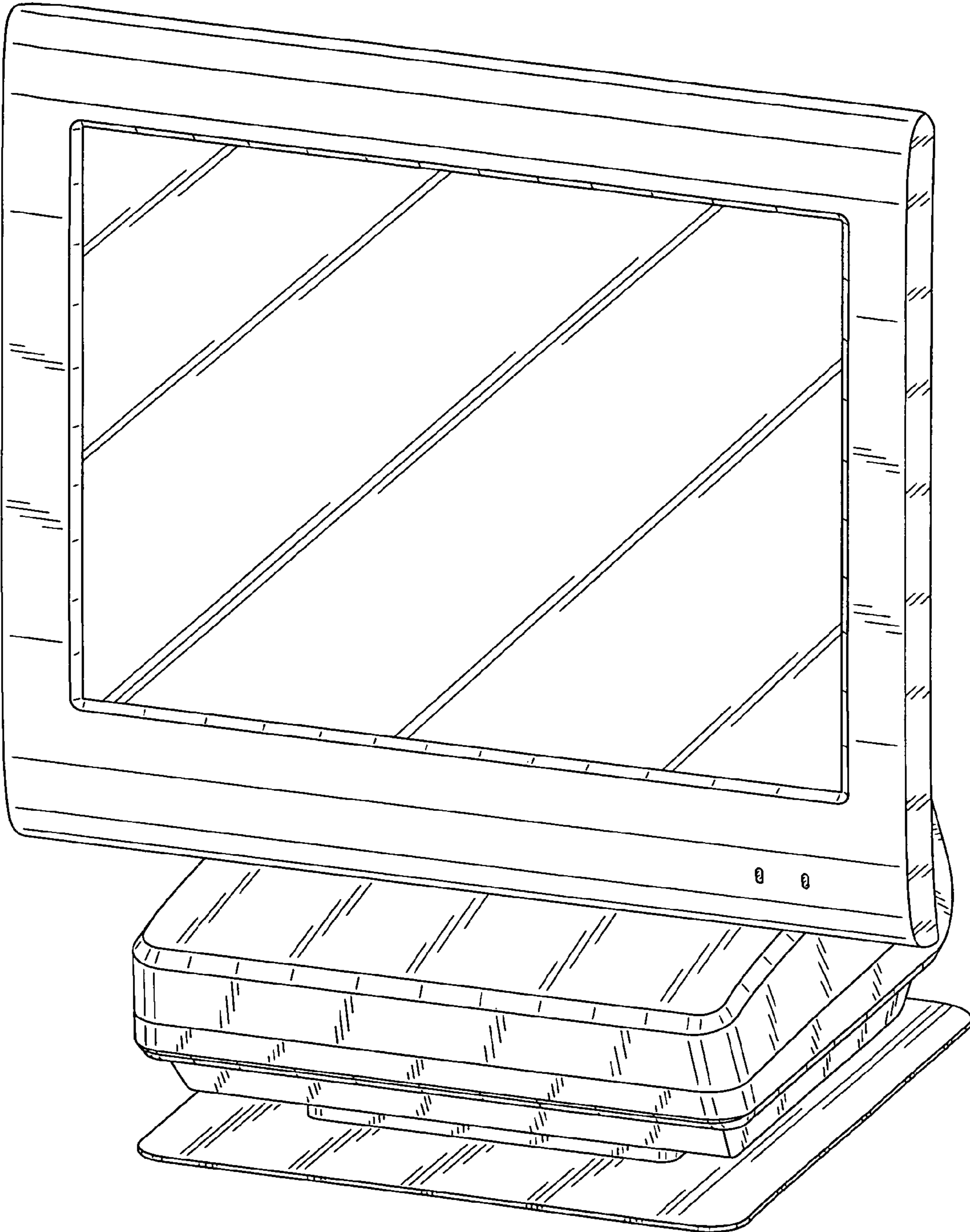


FIG. 1

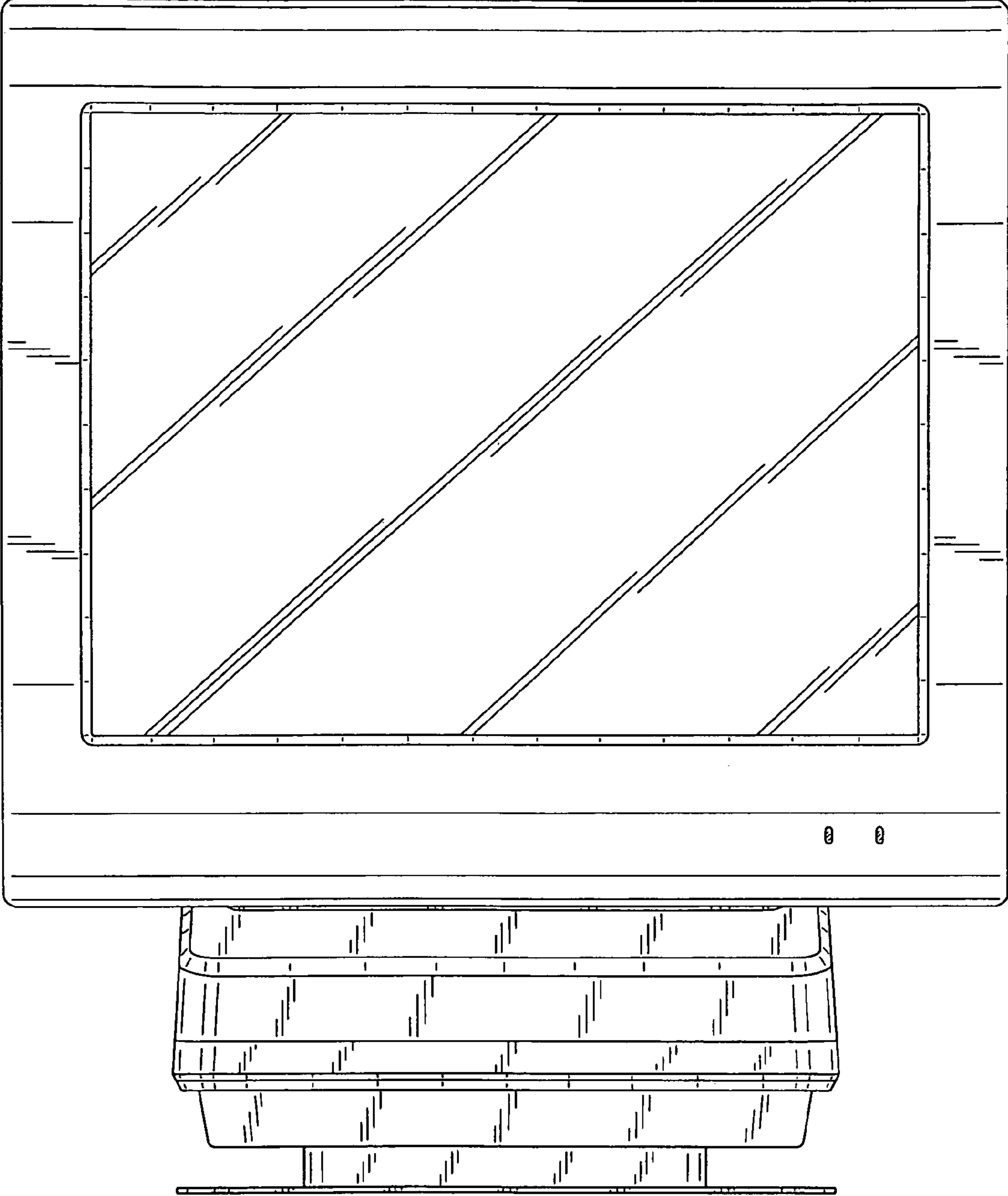


FIG. 2

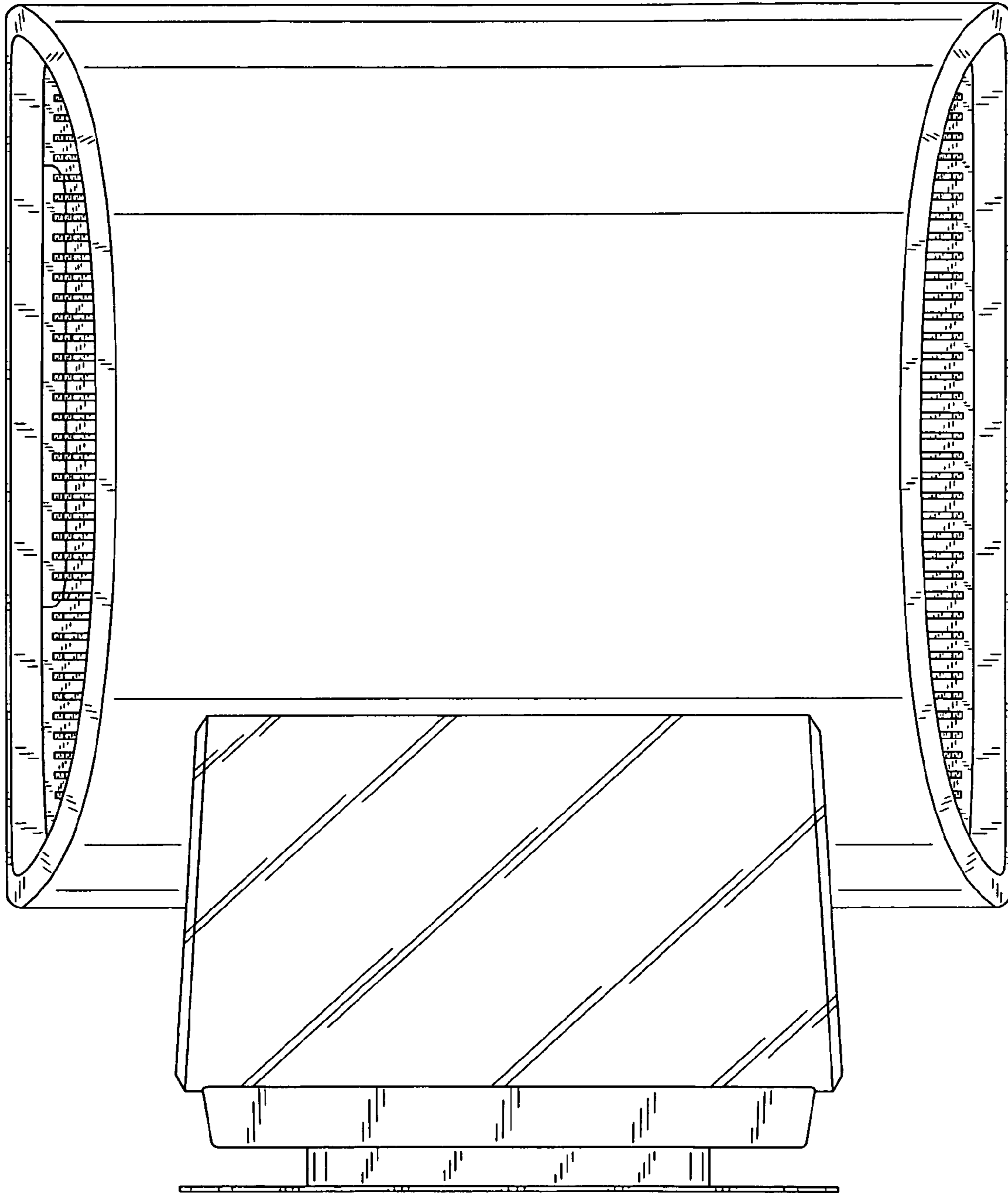


FIG. 3

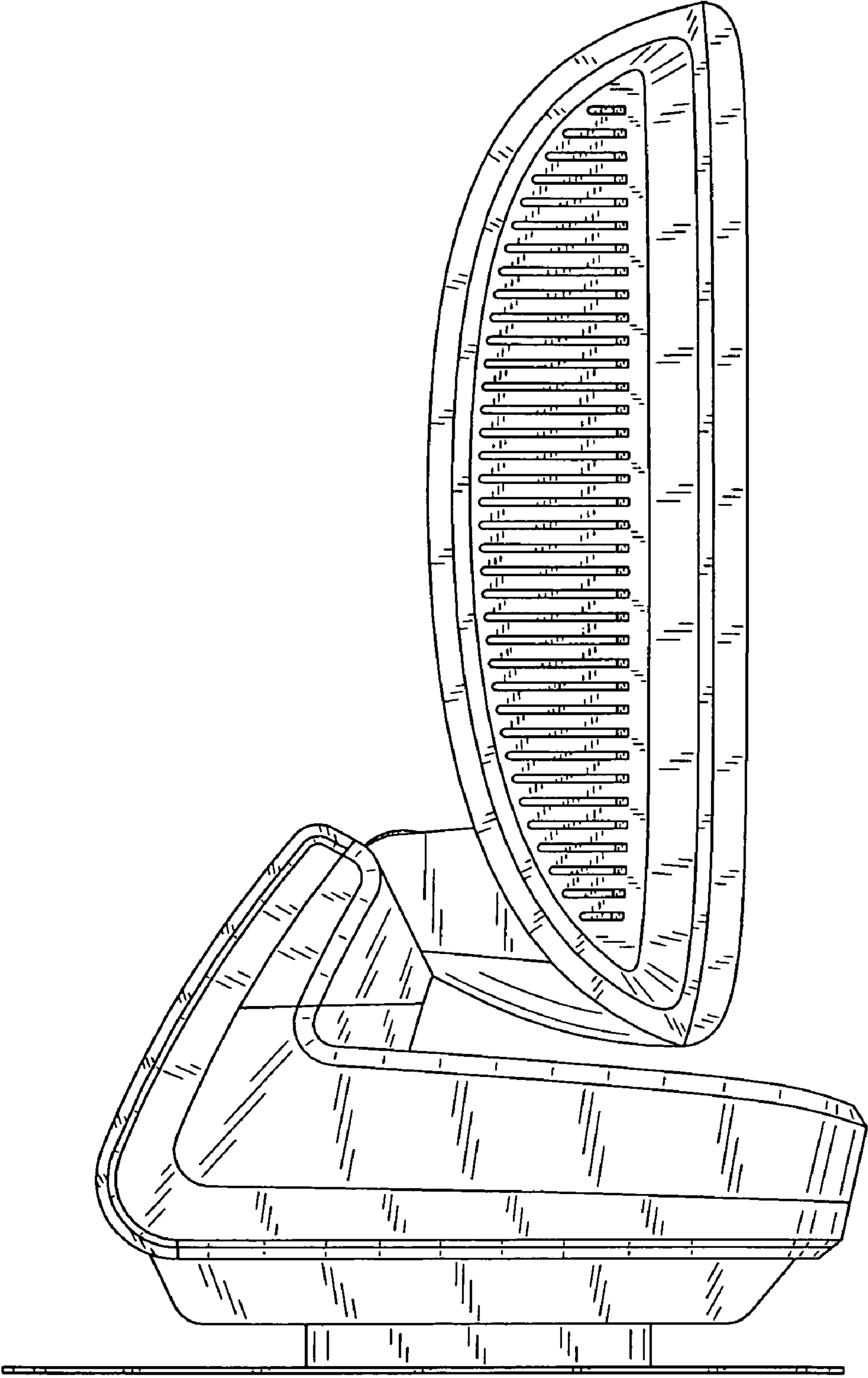


FIG. 4

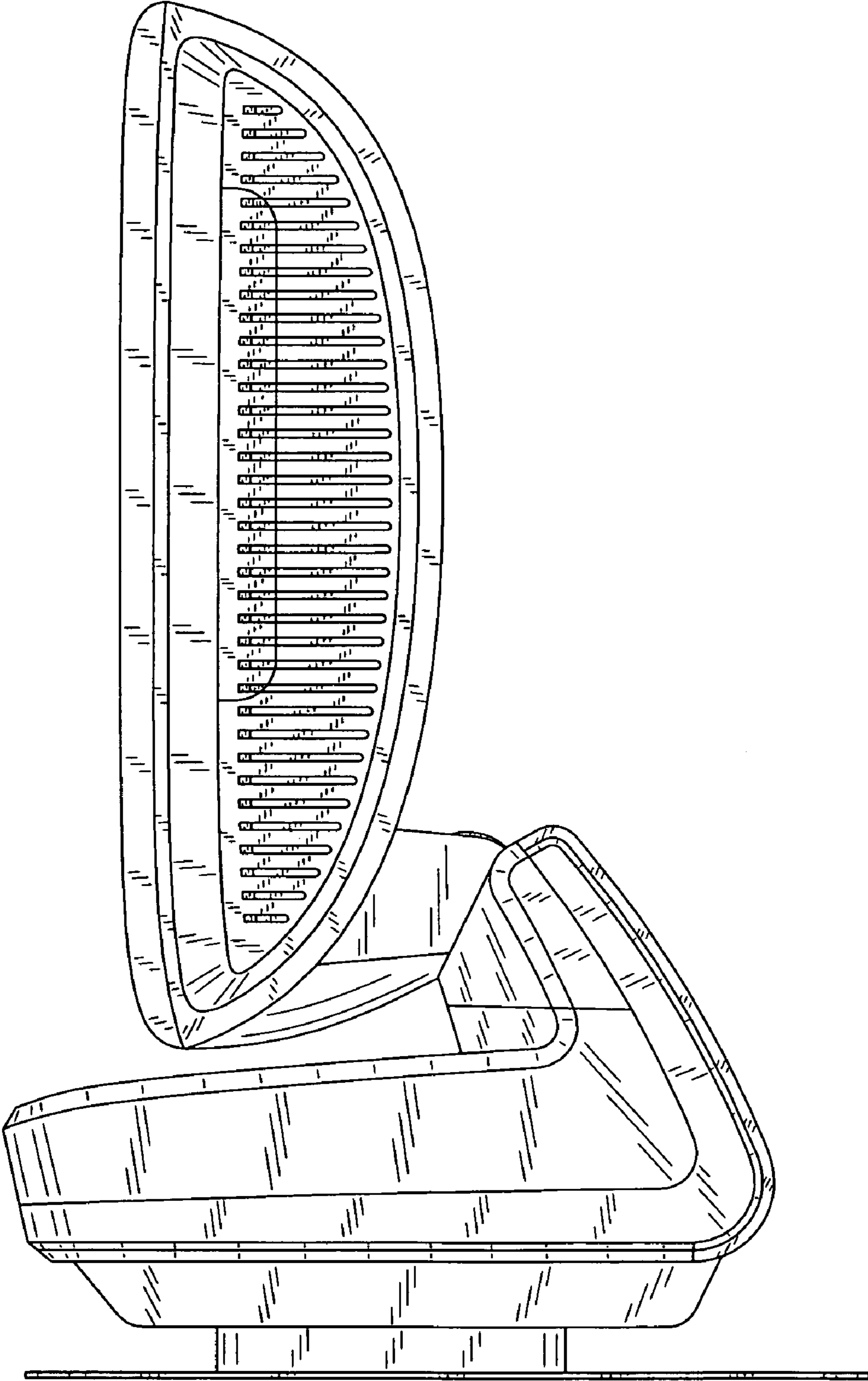


FIG. 5

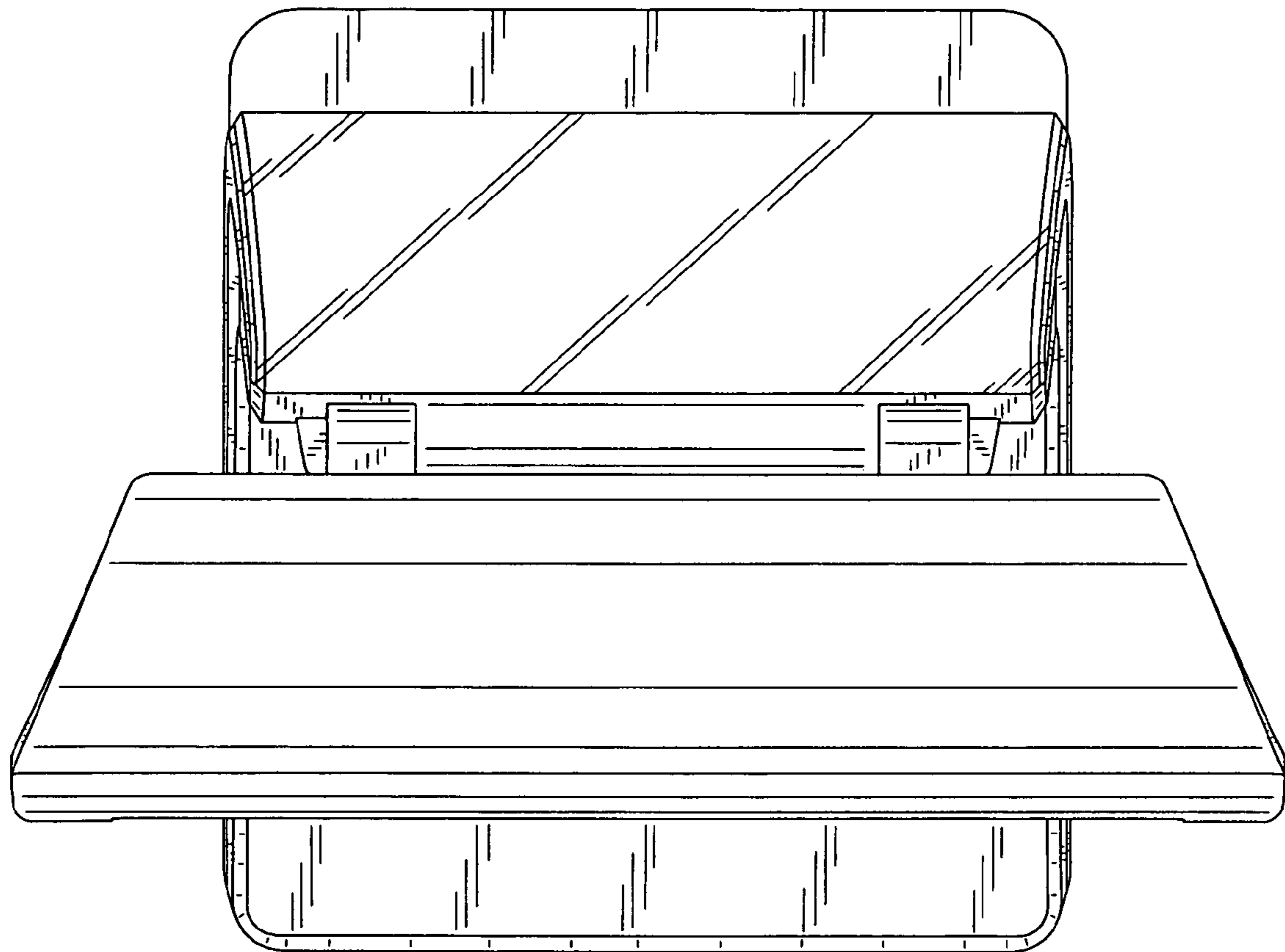
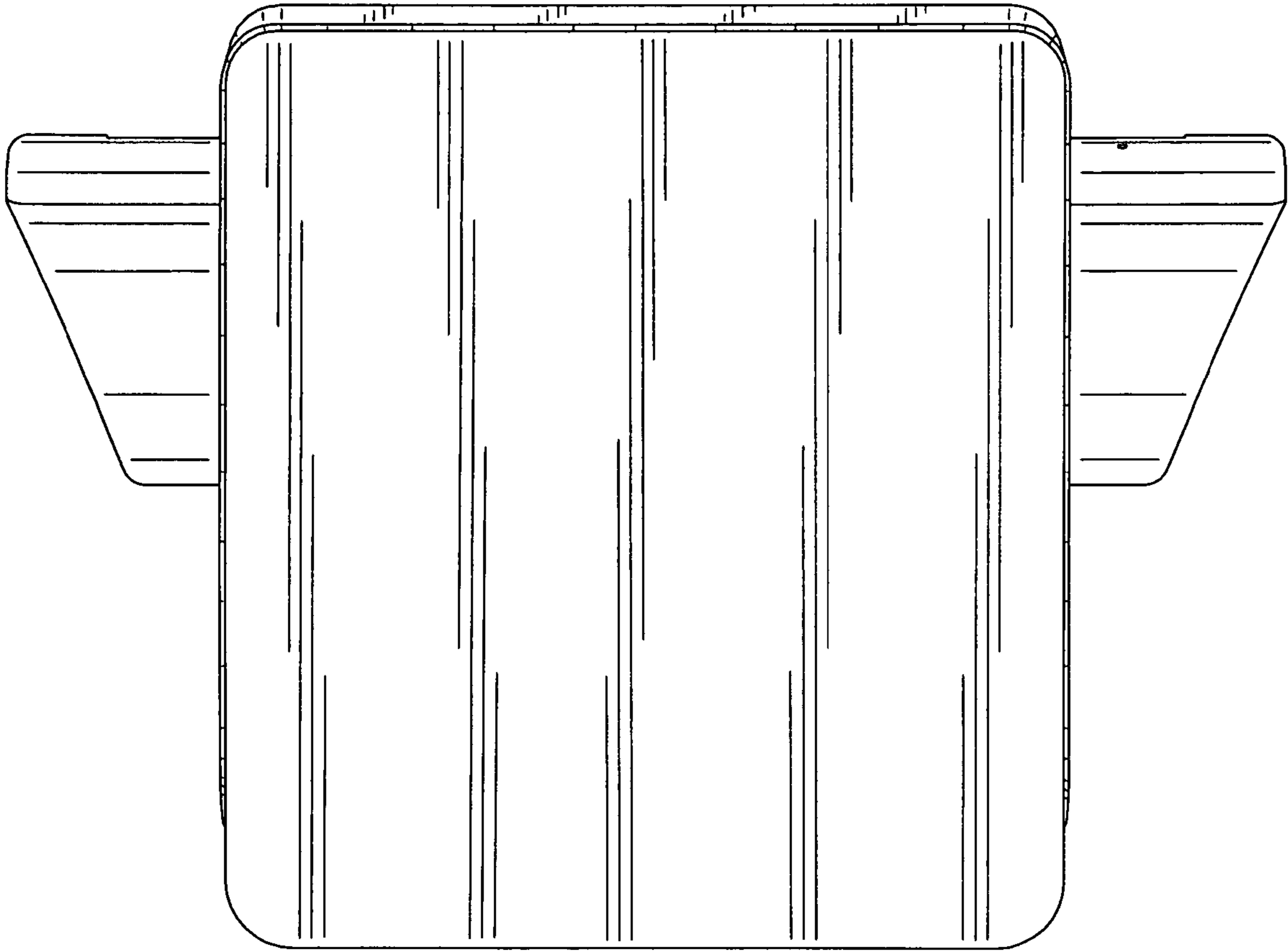


FIG. 6



**FIG. 7**



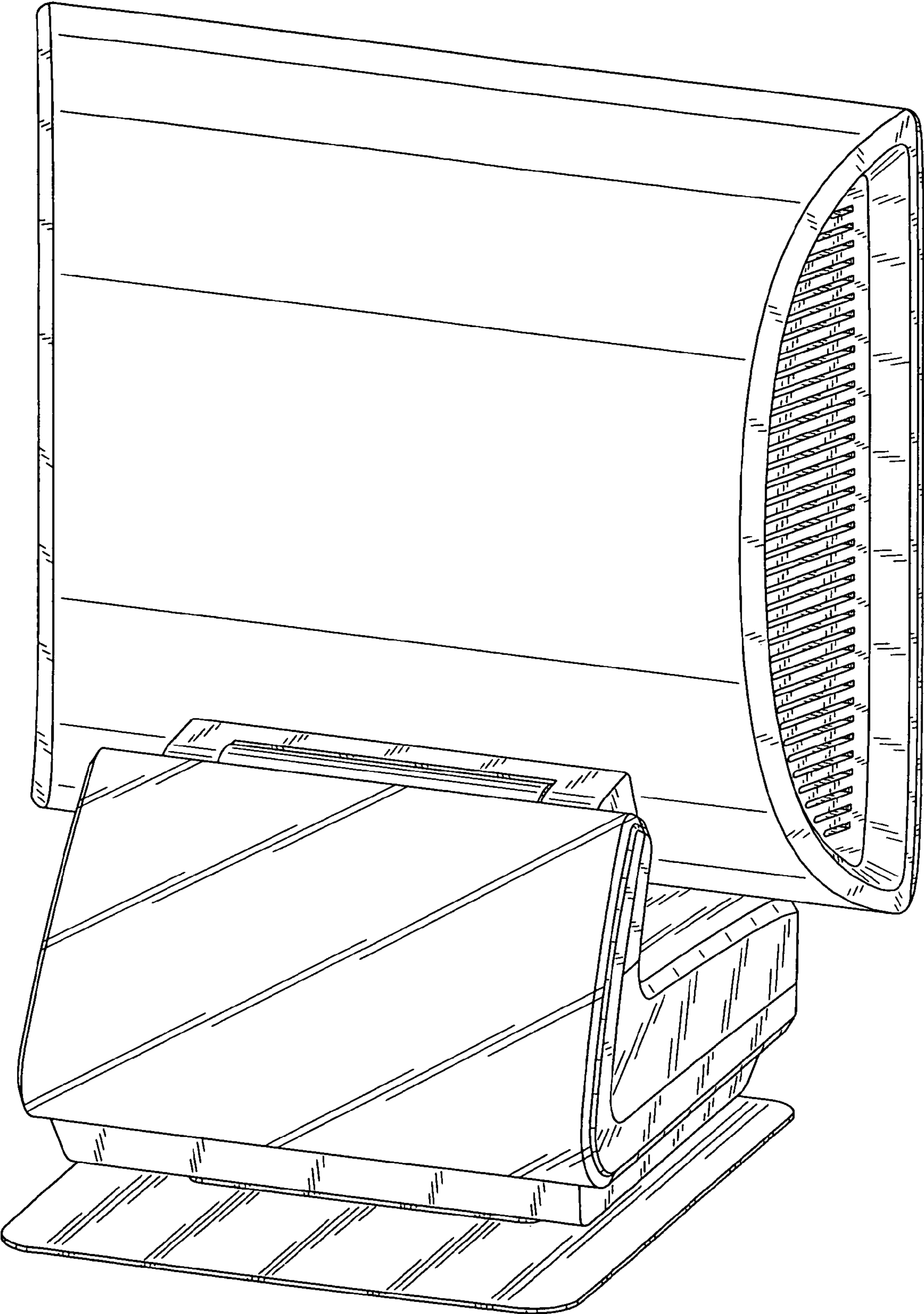
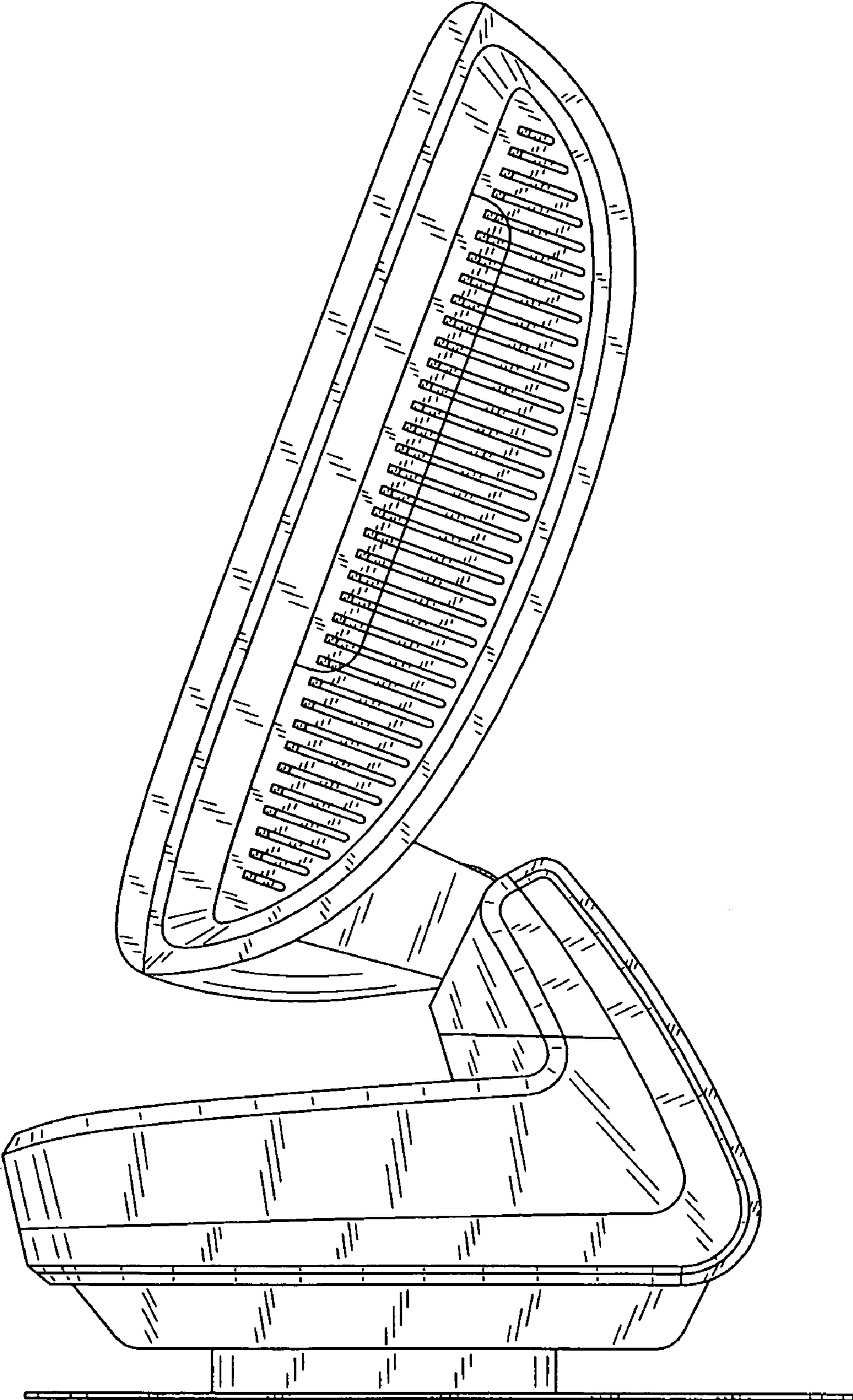


FIG. 8



**FIG. 9**