

US00D592652S

(12) **United States Design Patent**
Laine

(10) **Patent No.:** **US D592,652 S**

(45) **Date of Patent:** **** May 19, 2009**

(54) **HANDSET**

(75) Inventor: **Aki Laine**, Santa Monica, CA (US)

(73) Assignee: **Nokia Corporation**, Espoo (FI)

(**) Term: **14 Years**

(21) Appl. No.: **29/318,694**

(22) Filed: **May 26, 2008**

Related U.S. Application Data

(62) Division of application No. 29/246,166, filed on Mar. 2, 2006, now Pat. No. Des. 569,822.

(30) **Foreign Application Priority Data**

Sep. 2, 2005 (FI) M20050130

(51) **LOC (9) Cl.** **14-03**

(52) **U.S. Cl.** **D14/247**

(58) **Field of Classification Search** D14/137,
D14/138 R, 138 AA, 138 AB, 138 AC, 138 AD,
D14/138 C, 138 G, 147, 191, 218, 247-248,
D14/341-347, 455, 496; D10/65, 78, 104;
D13/168; D18/7; 455/556.1, 566, 575.1,
455/575.3; 345/169

See application file for complete search history.

(56) **References Cited**

U.S. PATENT DOCUMENTS

- D261,764 S 11/1981 Klucznik et al.
- D348,879 S 7/1994 Shuler
- D386,493 S 11/1997 Mahan
- D395,250 S 6/1998 Kabler et al.
- D408,397 S 4/1999 Renard
- 6,073,034 A 6/2000 Jacobson et al.
- D428,401 S 7/2000 Curtis
- 6,141,540 A * 10/2000 Richards et al. 455/575.3
- 6,243,595 B1 6/2001 Lee et al.
- D446,197 S 8/2001 Lee
- D453,150 S 1/2002 Murray
- D453,326 S 2/2002 Mujica
- D454,123 S 3/2002 Mujica
- D455,412 S 4/2002 Vuolteenaho et al.
- D455,738 S 4/2002 Kolinen
- D461,801 S 8/2002 Nuovo

- D462,344 S 9/2002 Nuovo
- D496,015 S * 9/2004 Kettula et al. D14/138 AA
- 6,792,287 B1 9/2004 Tuomela et al.
- D499,708 S 12/2004 Taylor
- D502,457 S 3/2005 Eigenstetter et al.
- D504,682 S 5/2005 Kettula et al.
- D509,814 S 9/2005 Shin et al.
- D524,785 S 7/2006 Huang
- D542,253 S 5/2007 Hwang
- D566,078 S * 4/2008 Nara D14/138 AB
- D569,822 S * 5/2008 Laine D14/138 AB
- D576,598 S * 9/2008 Lim et al. D14/138 AA
- 2001/0003707 A1 6/2001 Moriya
- 2002/0054677 A1 5/2002 Zambotti et al.
- 2004/0058705 A1 3/2004 Morgan et al.
- 2004/0243444 A1 12/2004 Steusloff
- 2006/0063571 A1 3/2006 Chadha
- 2007/0032275 A1 2/2007 Suzuki et al.

FOREIGN PATENT DOCUMENTS

- GB 2105941 9/2002
- WO DM/055040 11/2000

OTHER PUBLICATIONS

VK Mobile VK 4100, announced Mar. 2006, [online], [retrieved on Feb. 20, 2007]. Retrieved from Internet, <URL:http://www.gsmarena.com>.

* cited by examiner

Primary Examiner—Jeffrey D Asch

Assistant Examiner—Bridget L Eland

(74) *Attorney, Agent, or Firm*—Banner & Witcoff, Ltd.

(57) **CLAIM**

The ornamental design for handset, as shown and described.

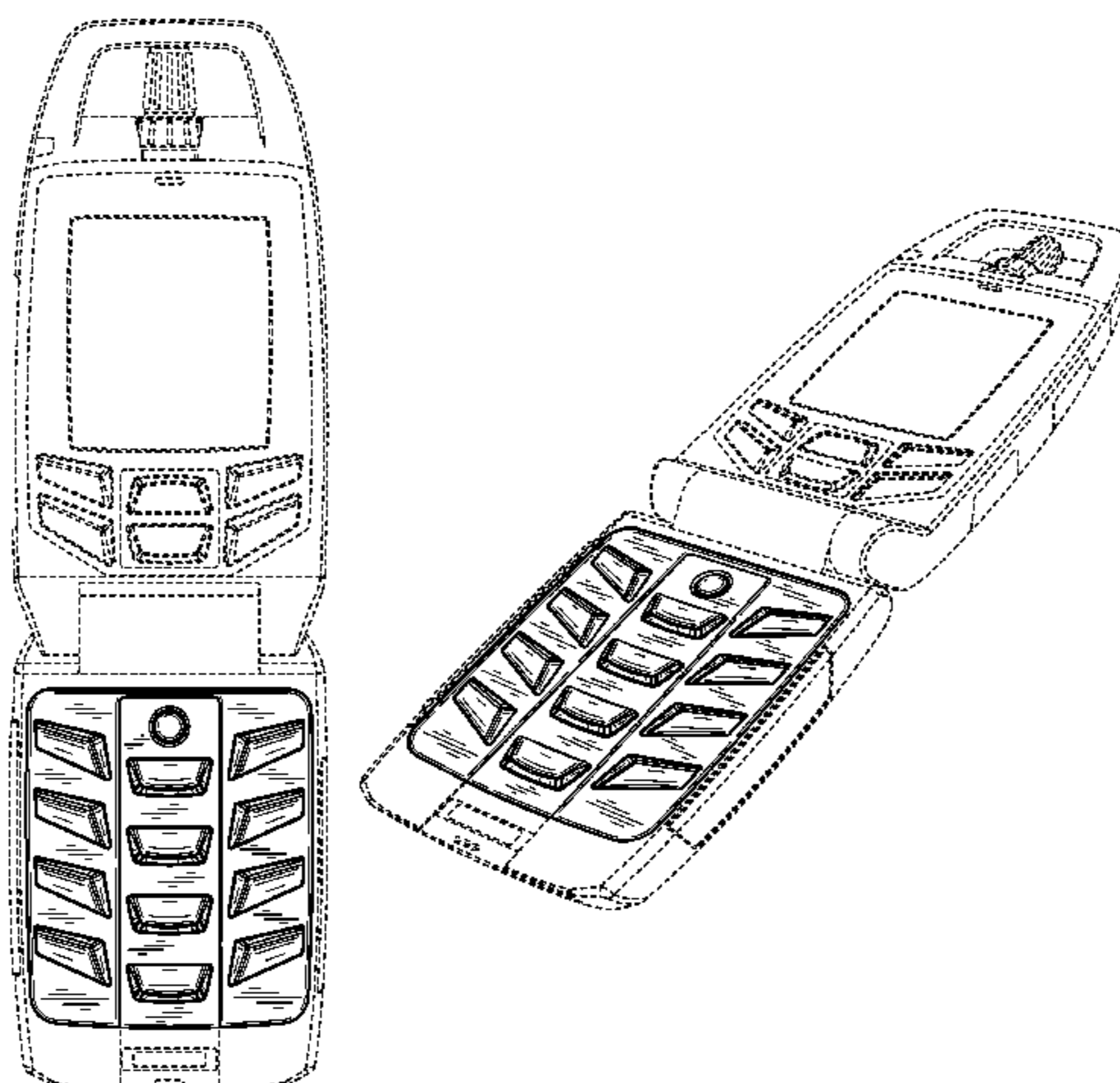
DESCRIPTION

FIG. 1 is a front view of a handset showing my new design; and,

FIG. 2 is a perspective view thereof.

The broken line showing of the remainder of the handset is directed to environment and is for illustrative purposes only; the broken lines form no part of the claimed design.

1 Claim, 2 Drawing Sheets



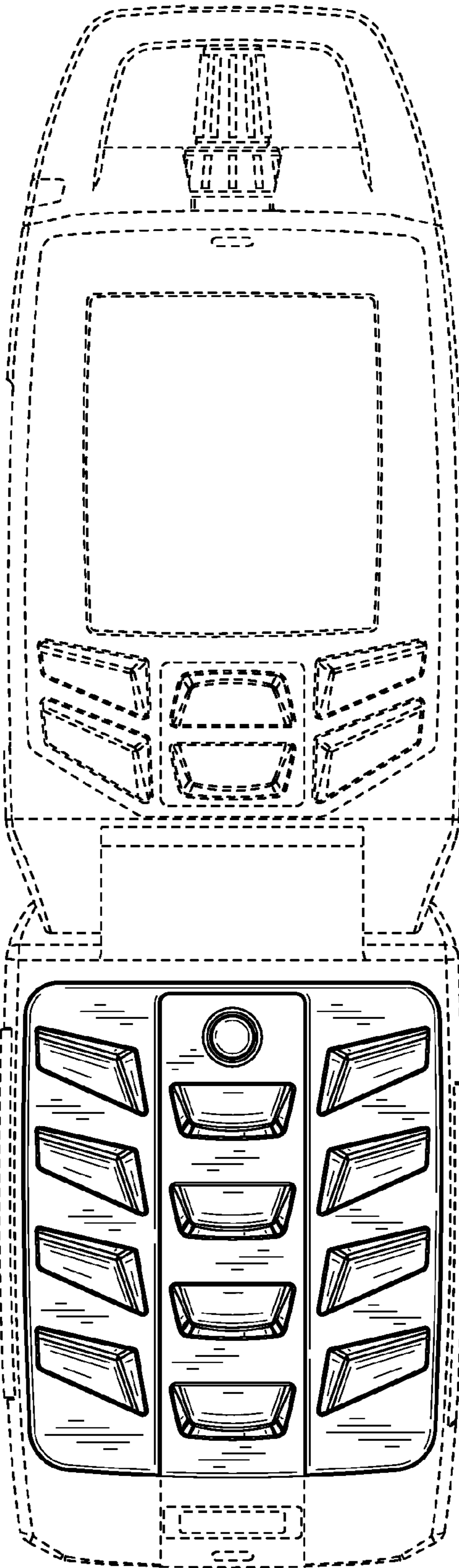


FIG. 1

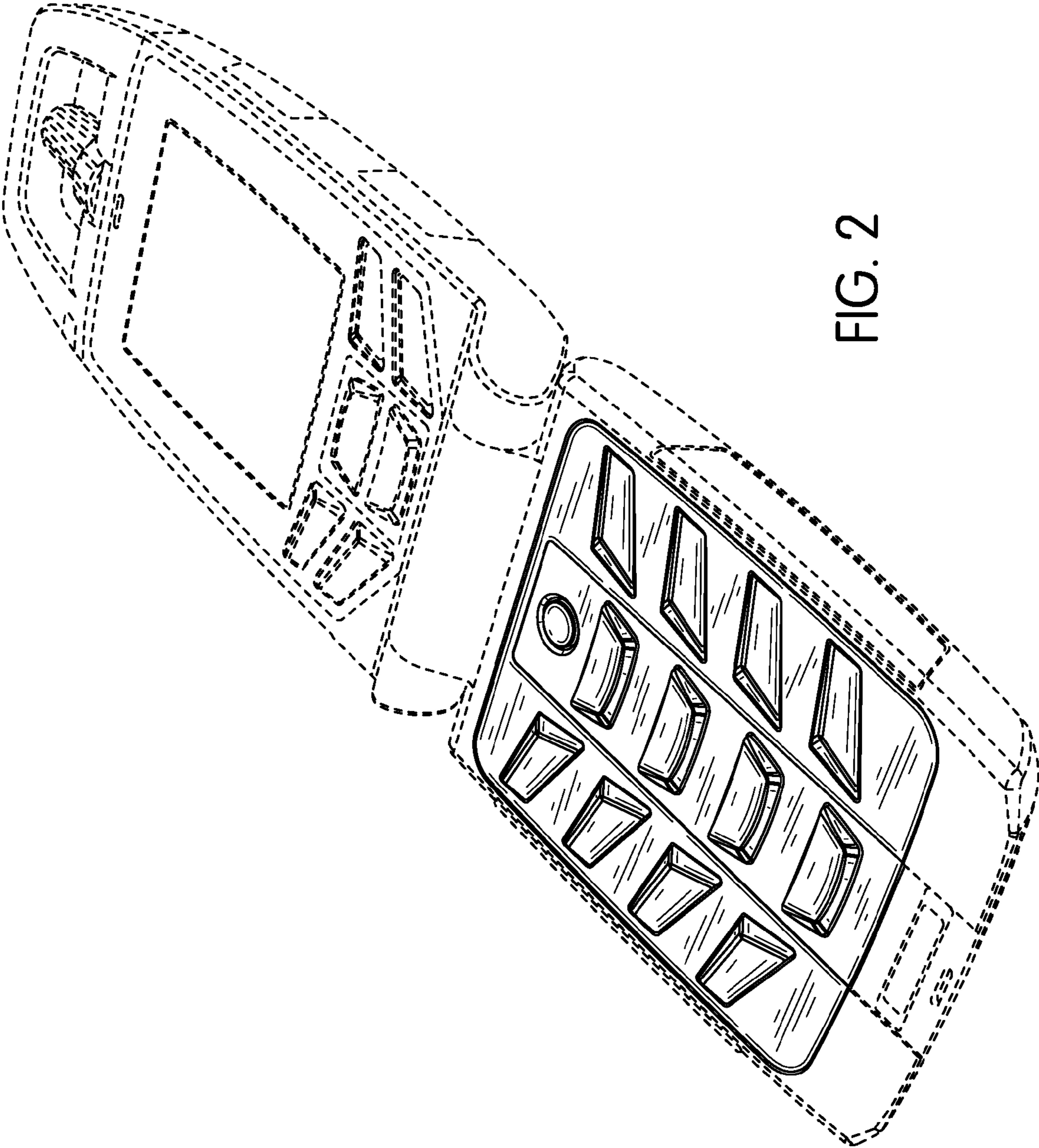


FIG. 2