



US00D592644S

(12) **United States Design Patent**
Andre et al.

(10) **Patent No.:** **US D592,644 S**
(45) **Date of Patent:** **** May 19, 2009**

(54) **SPEAKER UNIT**

(75) Inventors: **Bartley K. Andre**, Menlo Park, CA (US); **Daniel J. Coster**, San Francisco, CA (US); **Daniele De Iuliis**, San Francisco, CA (US); **Richard P. Howarth**, San Francisco, CA (US); **Jonathan P. Ive**, San Francisco, CA (US); **Steve Jobs**, Palo Alto, CA (US); **Duncan Robert Kerr**, San Francisco, CA (US); **Shin Nishibori**, San Francisco, CA (US); **Matthew Dean Rohrbach**, San Francisco, CA (US); **Douglas B. Satzger**, Menlo Park, CA (US); **Calvin Q. Seid**, Palo Alto, CA (US); **Christopher J. Stringer**, Woodside, CA (US); **Eugene Antony Whang**, San Francisco, CA (US); **Rico Zorkendorfer**, San Francisco, CA (US)

(73) Assignee: **Apple Inc.**, Cupertino, CA (US)

(**) Term: **14 Years**

(21) Appl. No.: **29/327,406**

(22) Filed: **Nov. 5, 2008**

Related U.S. Application Data

(60) Division of application No. 29/296,896, filed on Oct. 30, 2007, now Pat. No. Des. 580,912, which is a continuation of application No. 29/240,183, filed on Oct. 7, 2005, now Pat. No. Des. 560,656.

(51) **LOC (9) Cl.** **14-01**

(52) **U.S. Cl.** **D14/214**

(58) **Field of Classification Search** D14/204, D14/209–217, 188, 168, 156, 171–172; 181/143–144, 181/147–148, 150, 157, 198–199, 151, 153; 381/300–302, 306, 333, 345, 361–364, 386–388, 381/332, 336

See application file for complete search history.

(56) **References Cited**

U.S. PATENT DOCUMENTS

3,143,182 A * 8/1964 Sears et al. 181/153

(Continued)

Primary Examiner—Nanda Bondade
(74) *Attorney, Agent, or Firm*—Sterne, Kessler, Goldstein & Fox P.L.L.C.

(57) **CLAIM**

We claim the ornamental design for an speaker unit, as shown and described.

DESCRIPTION

FIG. 1 is a front perspective view of a speaker unit in accordance with the present design;

FIG. 2 is a rear perspective view thereof;

FIG. 3 is a front view thereof;

FIG. 4 is a rear view thereof;

FIG. 5 is a top view thereof;

FIG. 6 is a bottom view thereof;

FIG. 7 is a right side view thereof;

FIG. 8 is a left side view thereof;

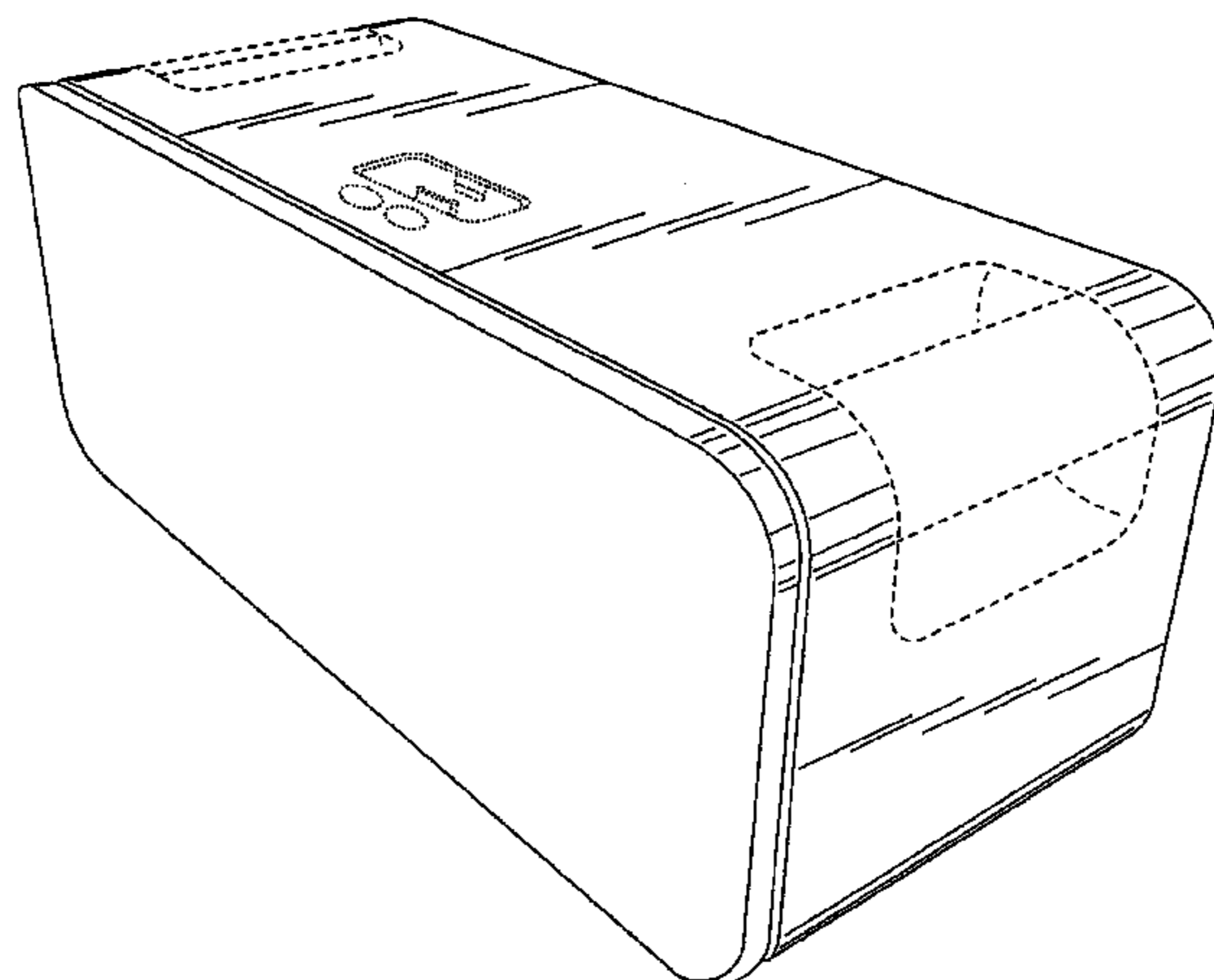
FIG. 9 is a front view thereof with the speaker cover removed;

FIG. 10 is a rear view for the speaker cover of the speaker unit; and,

FIG. 11 is a front view of an alternate embodiment of FIG. 1 with the speaker cover shown in a textile pattern.

The broken line showing on the drawing disclosure is for illustrative purposes only and forms no part of the claimed design.

1 Claim, 6 Drawing Sheets



US D592,644 S

Page 2

U.S. PATENT DOCUMENTS

D369,356 S *	4/1996	Olson	D14/214	D514,090 S	1/2006	Carbone et al.
D385,530 S	10/1997	Hames et al.		7,075,579 B2	7/2006	Whitby et al.
D395,047 S	6/1998	Segan et al.		D526,321 S	8/2006	Hayes et al.
D397,996 S	9/1998	Smith		D530,717 S	10/2006	Mori et al.
5,952,814 A	9/1999	Van Lerberghe		D532,005 S	11/2006	Leith
D418,138 S *	12/1999	Miyazaki	D14/214	7,145,603 B2	12/2006	Whitby et al.
D442,939 S	5/2001	Goldenburg		D535,614 S	1/2007	Majanen et al.
6,591,085 B1	7/2003	Grady		D560,656 S	1/2008	Andre et al.
D480,708 S *	10/2003	Bothe	D14/214	D580,911 S	11/2008	Andre et al.
D503,396 S *	3/2005	Hisatsune	D14/214	D581,399 S	11/2008	Andre et al.
D508,041 S	8/2005	Carbone et al.		D581,912 S	11/2008	Andre et al.
D508,689 S *	8/2005	Schul et al.	D14/172	2004/0162029 A1	8/2004	Grady
D510,091 S	9/2005	Mori et al.				

* cited by examiner

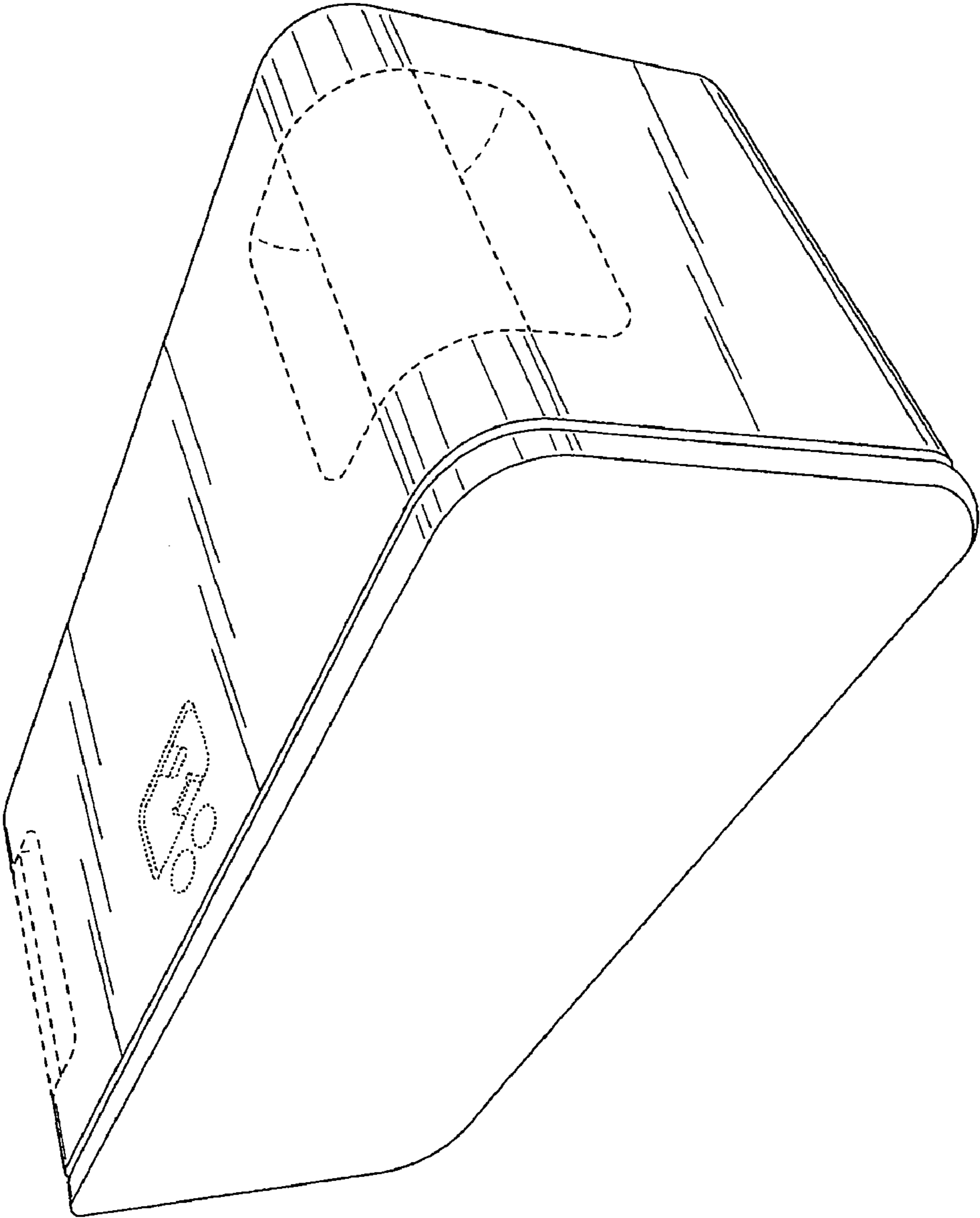


FIG. 1

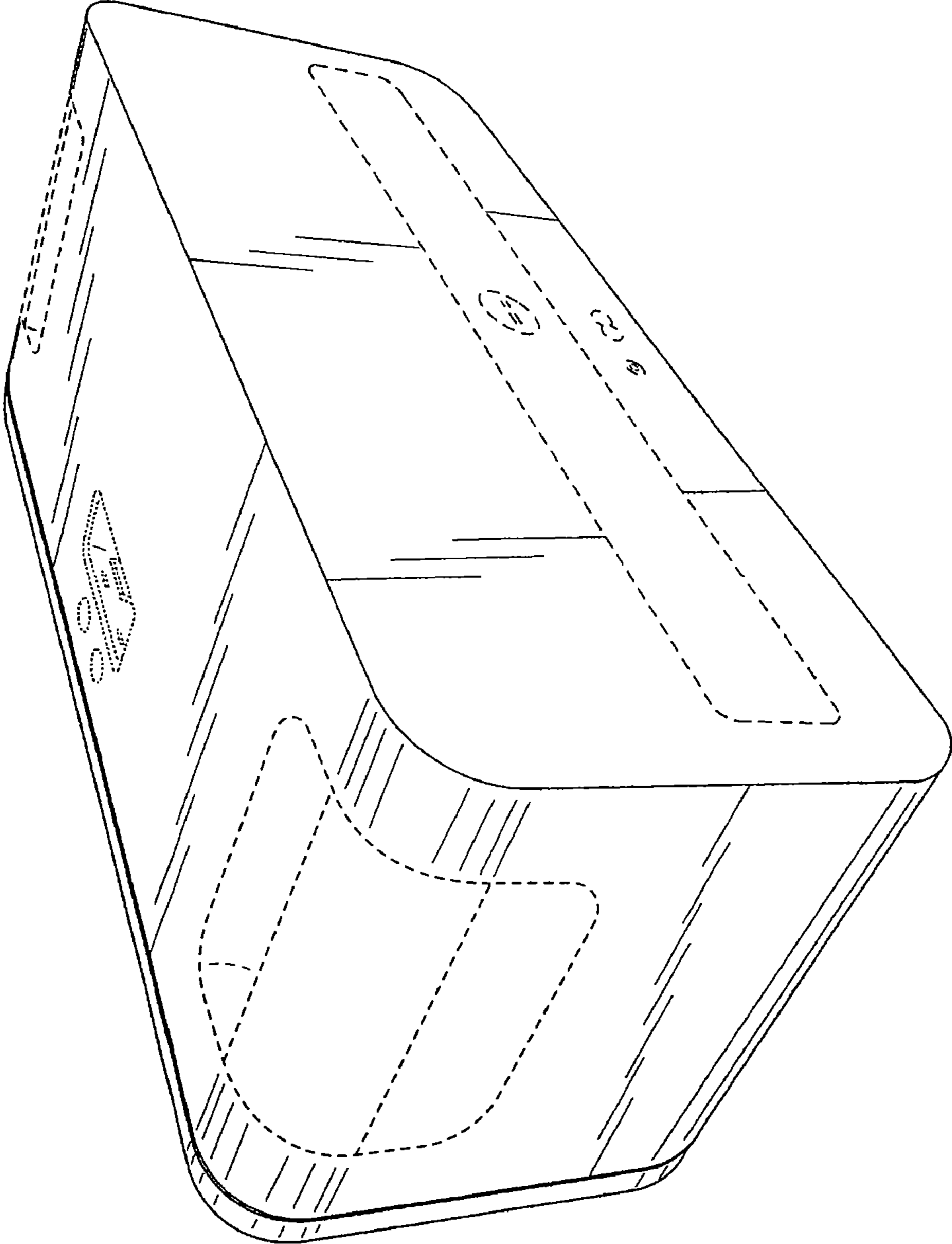


FIG. 2

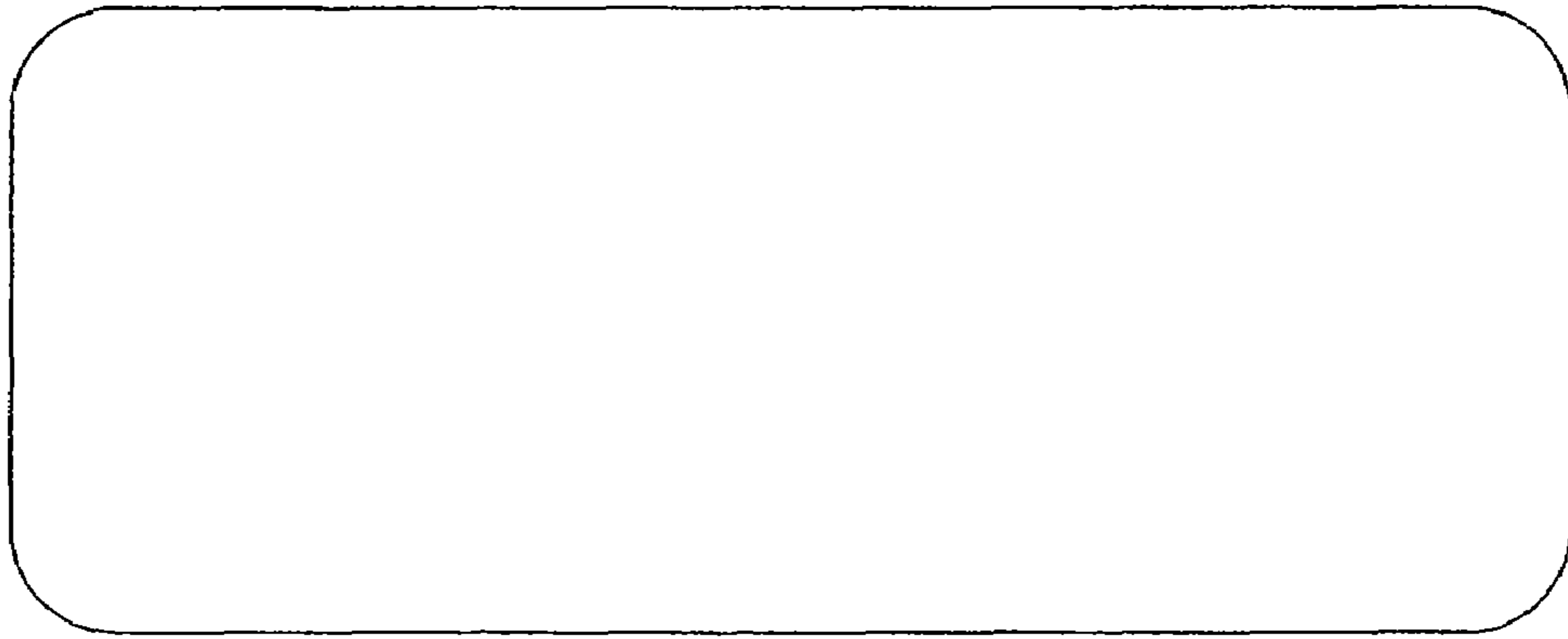


FIG. 3

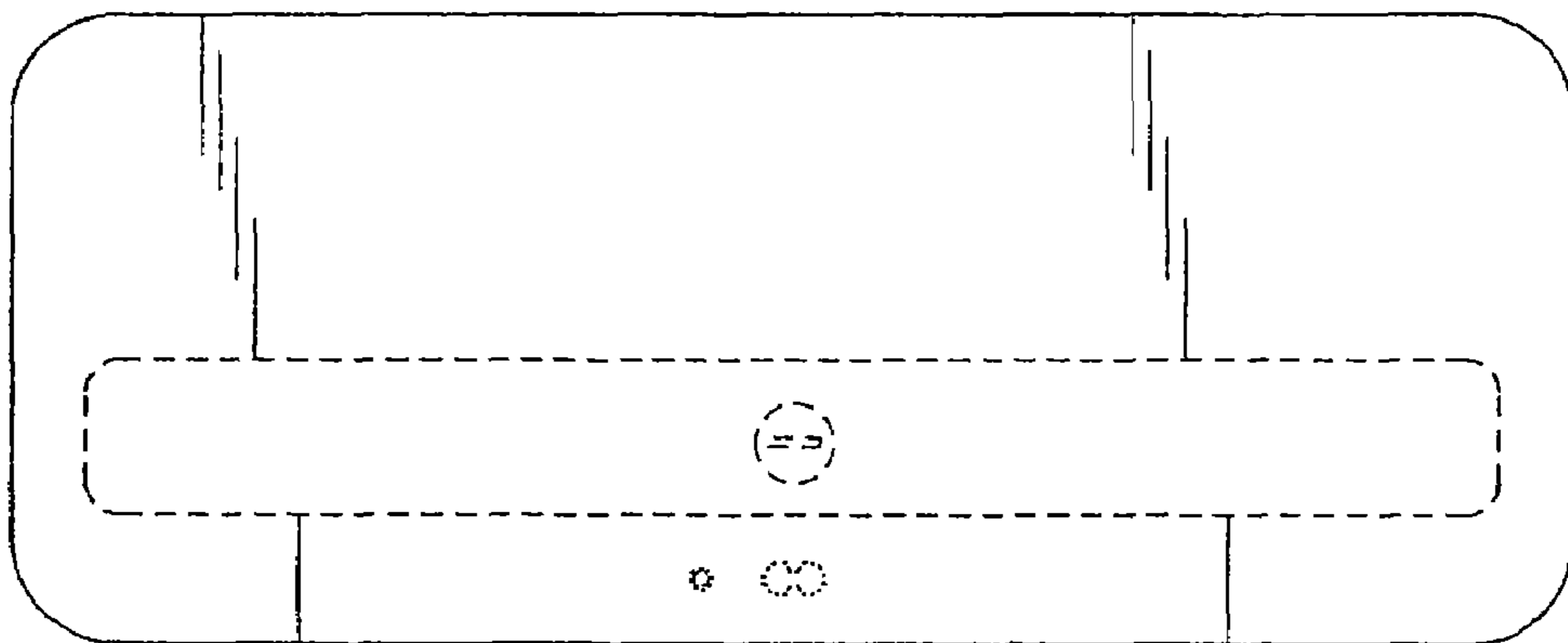


FIG. 4

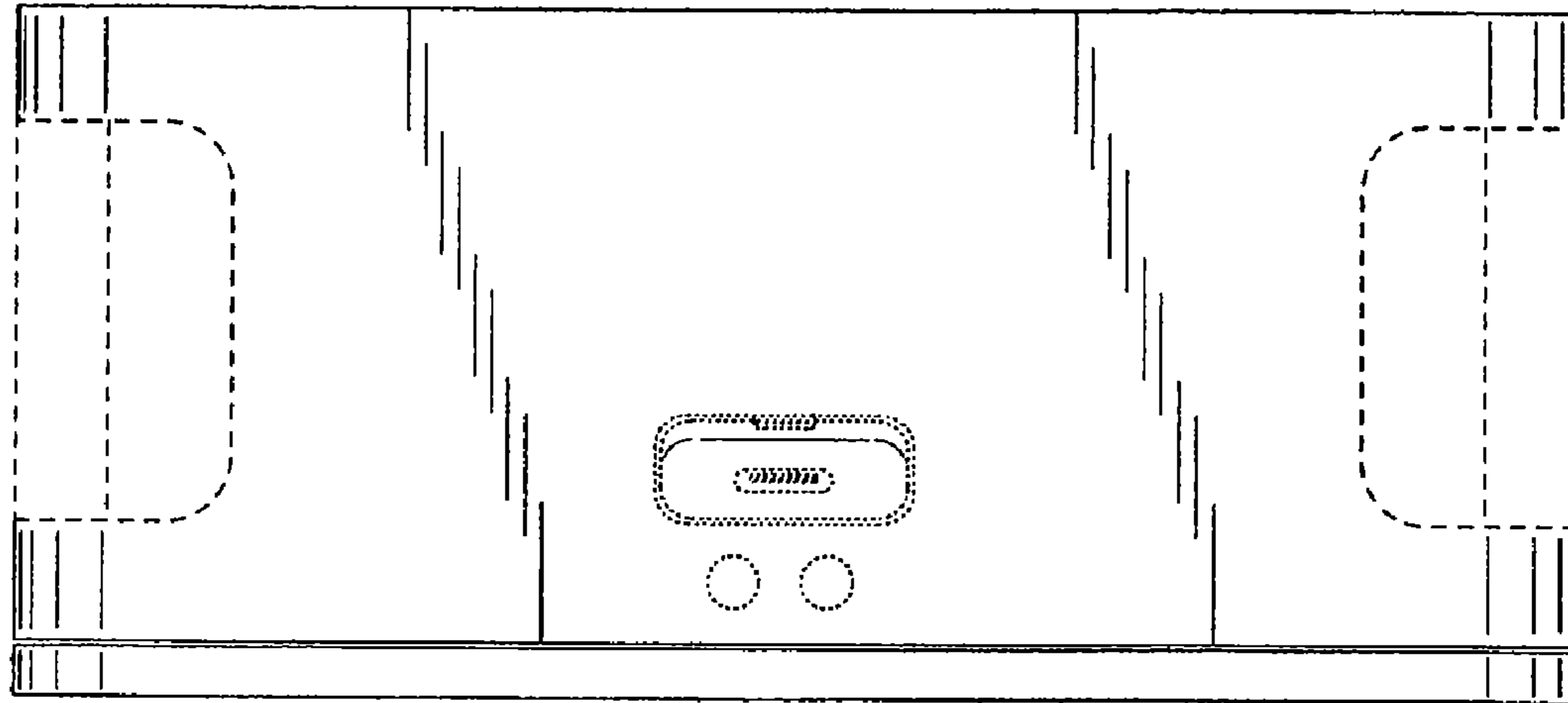


FIG. 5

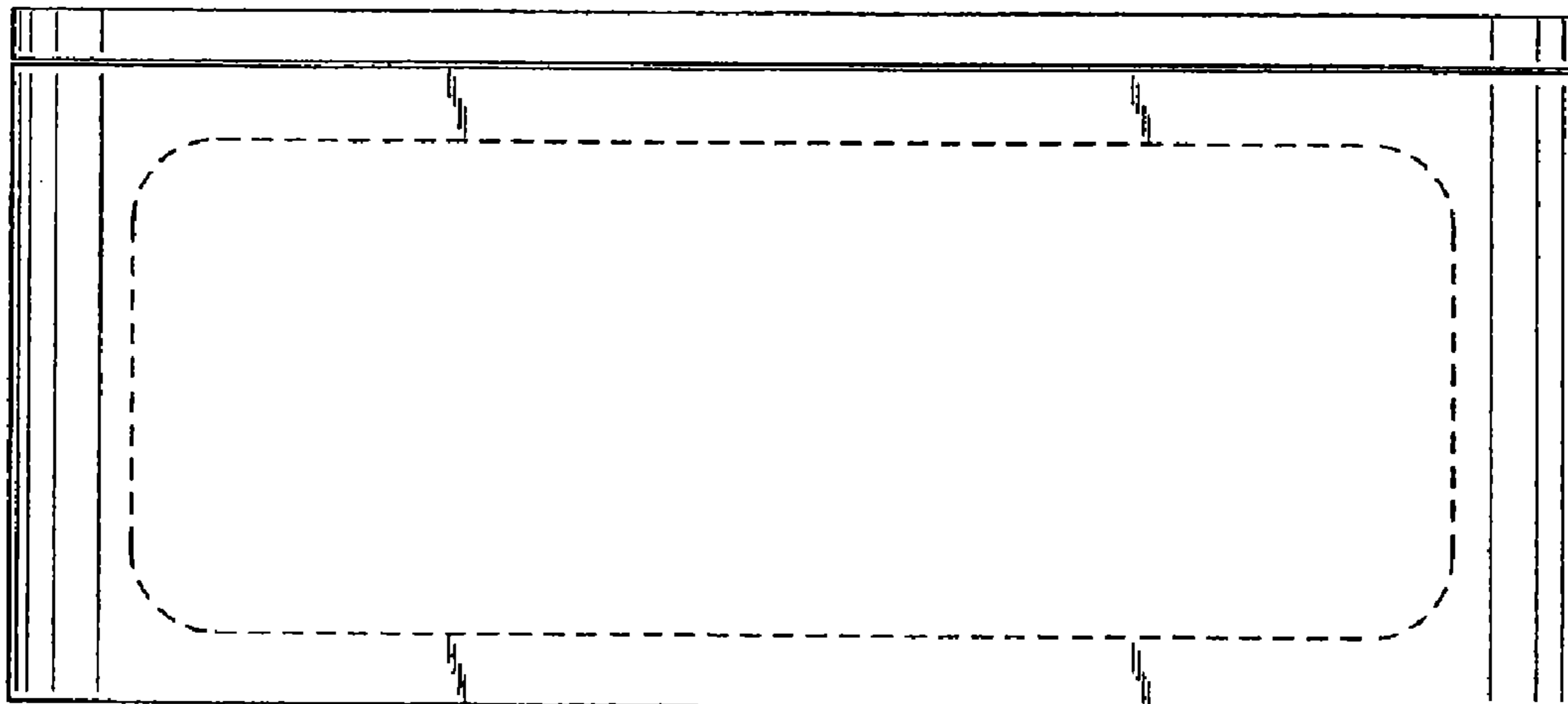


FIG. 6

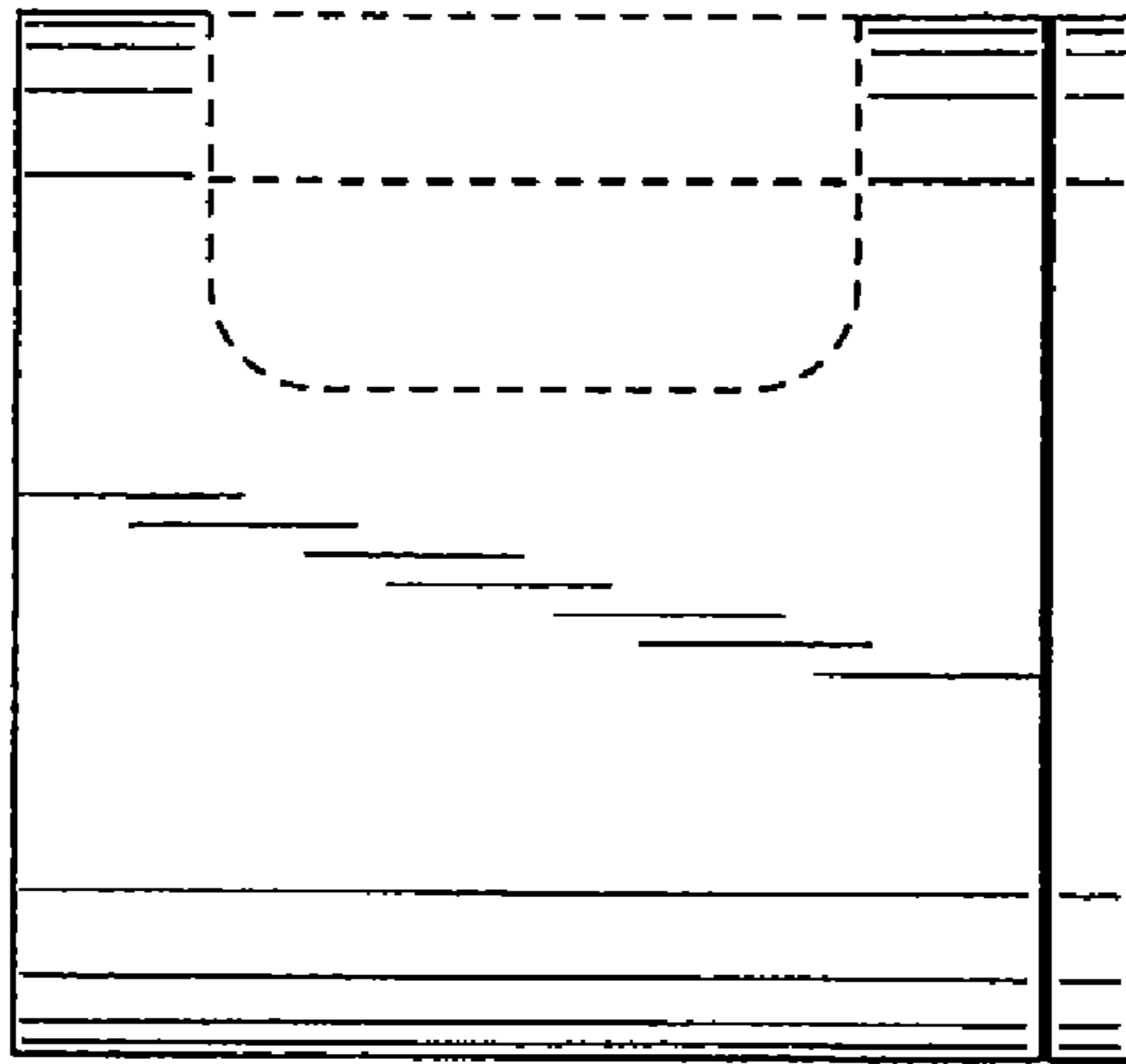


FIG. 7

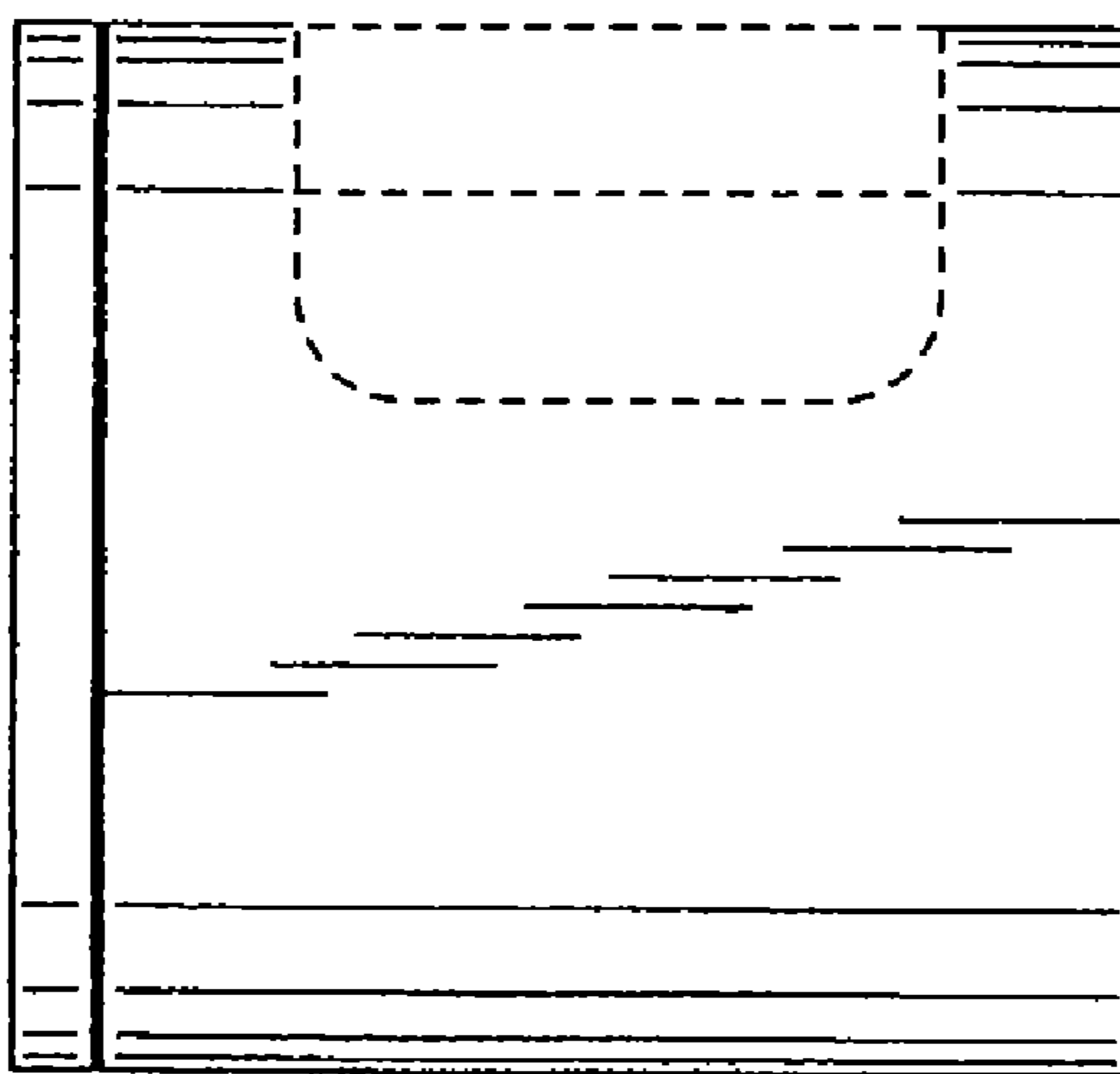


FIG. 8

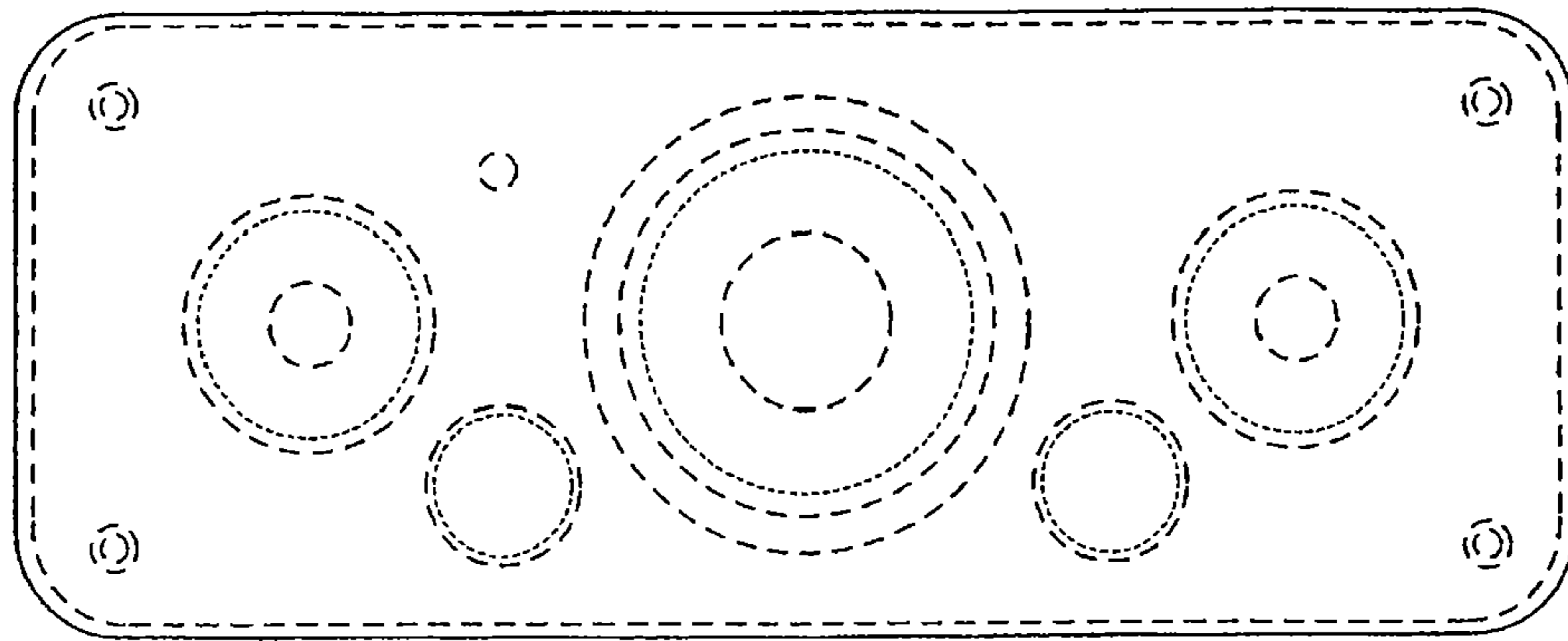


FIG. 9

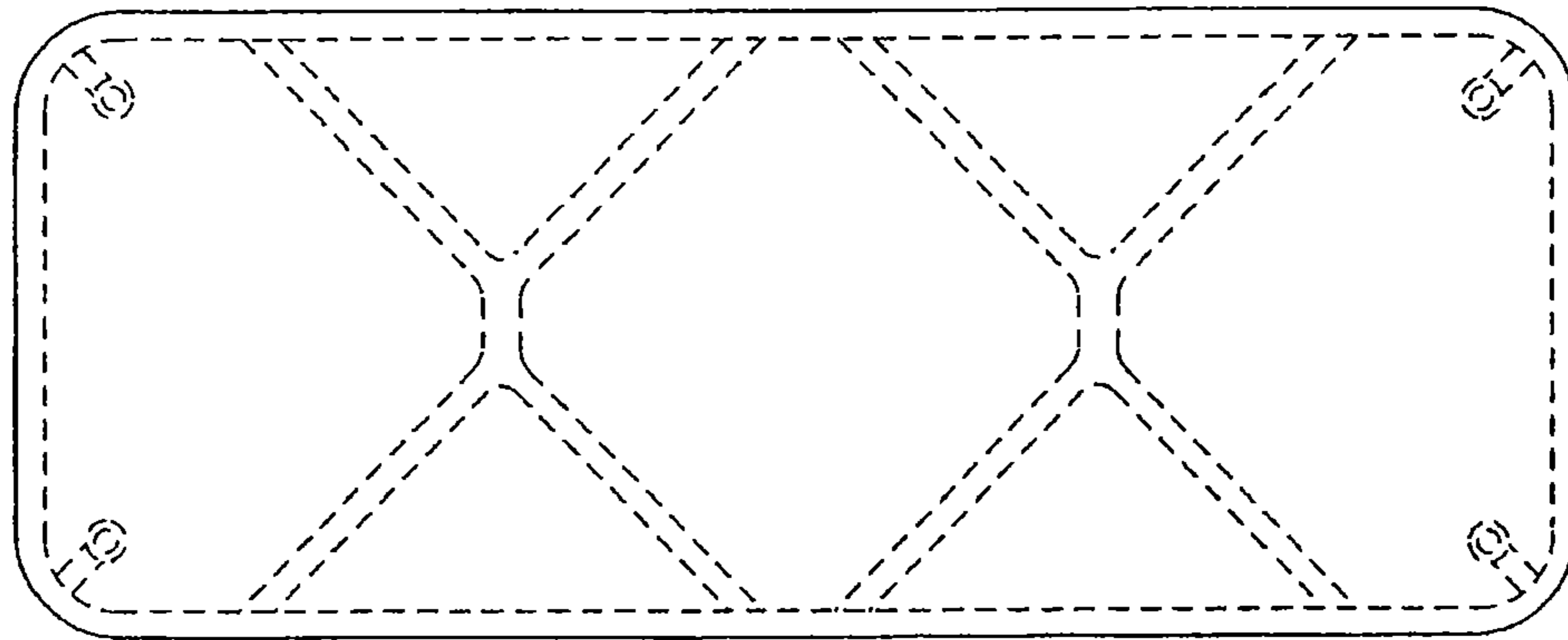


FIG. 10

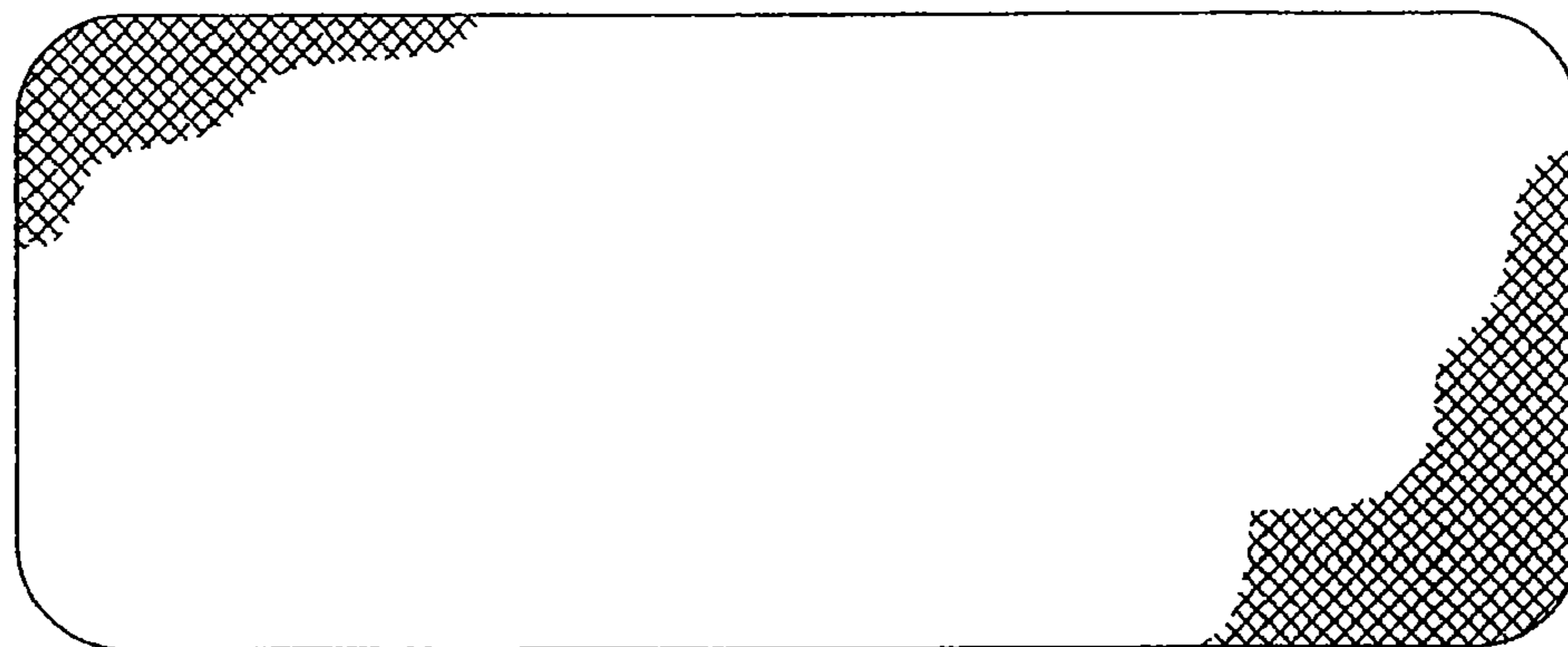


FIG. 11