



US00D592643S

(12) **United States Design Patent**  
**Fujiwara et al.**

(10) **Patent No.:** **US D592,643 S**

(45) **Date of Patent:** **\*\* May 19, 2009**

(54) **SPEAKER**

(75) Inventors: **Satoru Fujiwara, Yao (JP); Masahide Suzuki, Yao (JP); Yuka Asano, Yao (JP); Masahito Fukada, Yao (JP)**

(73) Assignee: **Hosiden Corporation, Osaka (JP)**

(\*\*) Term: **14 Years**

(21) Appl. No.: **29/317,313**

(22) Filed: **Apr. 28, 2008**

(30) **Foreign Application Priority Data**

Oct. 29, 2007 (JP) ..... 2007-029638  
Oct. 29, 2007 (JP) ..... 2007-029639

(51) **LOC (9) Cl.** ..... **14-01**

(52) **U.S. Cl.** ..... **D14/214**

(58) **Field of Classification Search** ..... D14/204,  
D14/210–216, 172; 181/143–144, 147–148,  
181/150–153, 157, 198–199; 381/300–303,  
381/306, 332–333, 336, 345, 361–364, 386–388  
See application file for complete search history.

(56) **References Cited**

**U.S. PATENT DOCUMENTS**

D511,766 S \* 11/2005 Suzuki ..... D14/214

D519,986 S \* 5/2006 Kamimura et al. .... D14/214  
D533,163 S \* 12/2006 Takase et al. .... D14/215  
D535,977 S \* 1/2007 Suzuki ..... D14/214

\* cited by examiner

*Primary Examiner*—Nanda Bondade

(74) *Attorney, Agent, or Firm*—Panitch Schwarze Belisario & Nadel LLP

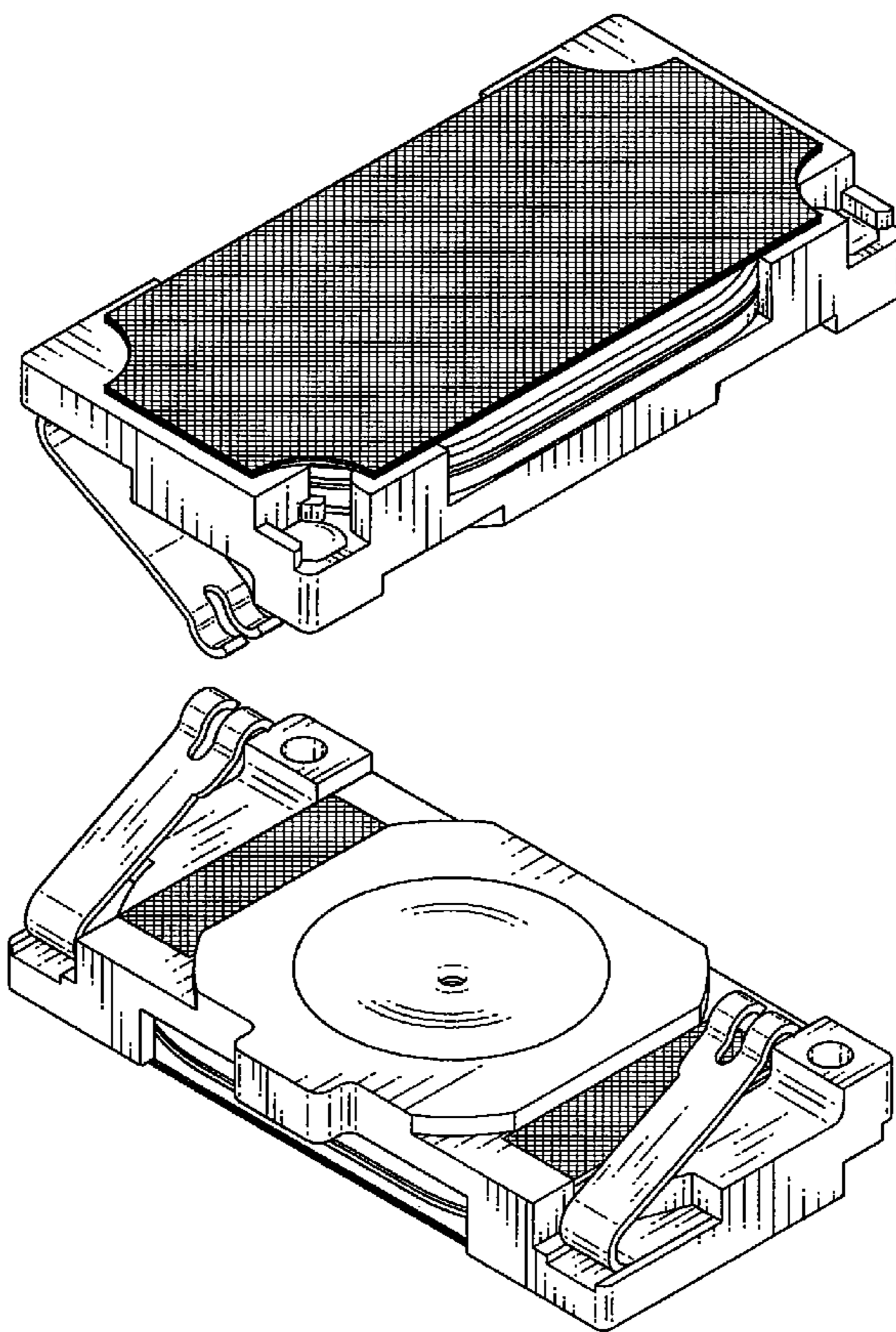
(57) **CLAIM**

The ornamental design for a speaker, as shown and described.

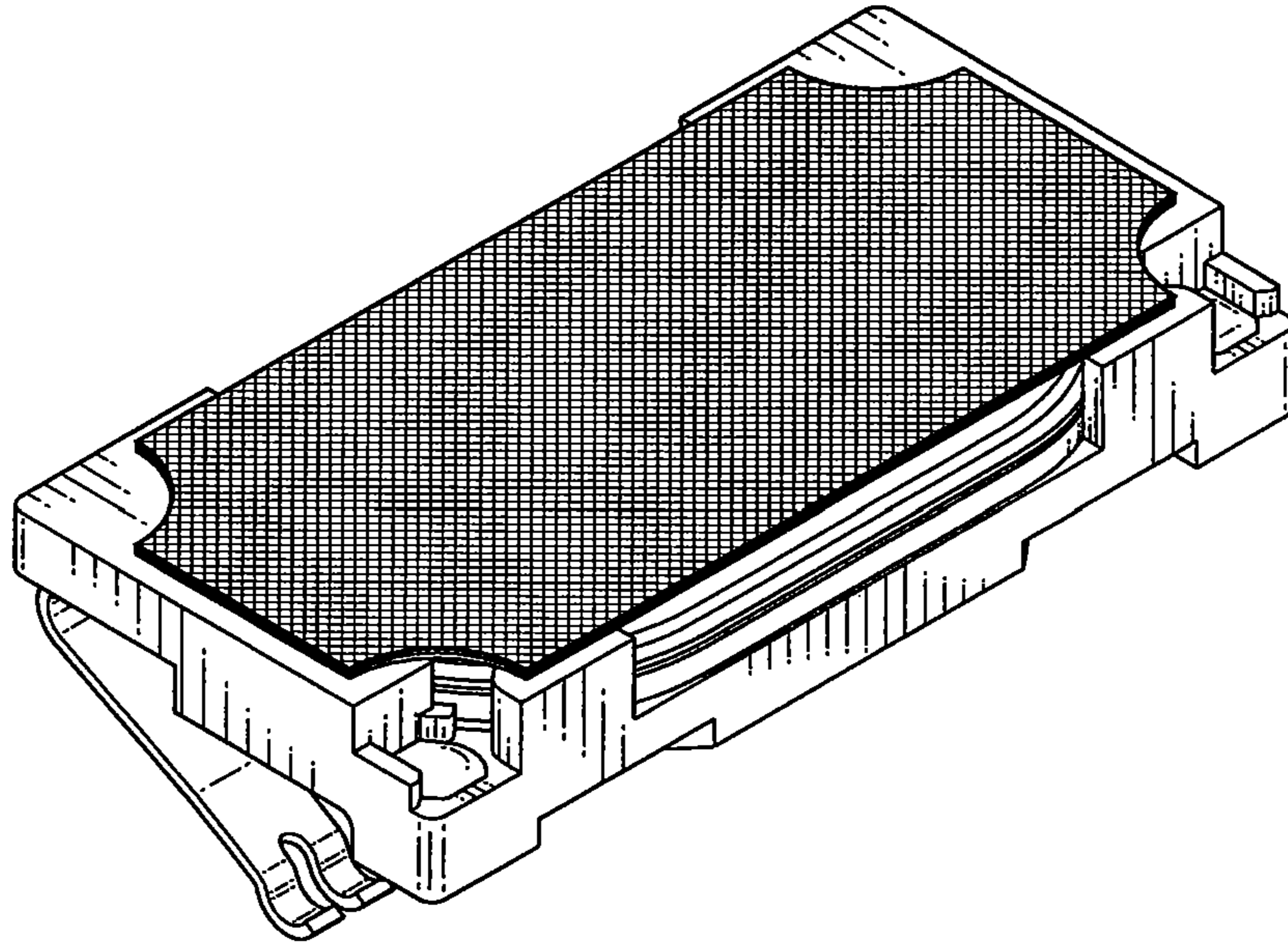
**DESCRIPTION**

FIG. 1 is a front, left side and bottom perspective view of a speaker showing our new design;  
FIG. 2 is rear, right side and top perspective view thereof;  
FIG. 3 is a front elevational view thereof;  
FIG. 4 is a rear elevational view thereof;  
FIG. 5 is a left side elevational view thereof;  
FIG. 6 is a top plan view thereof; and,  
FIG. 7 is a bottom plan view thereof.

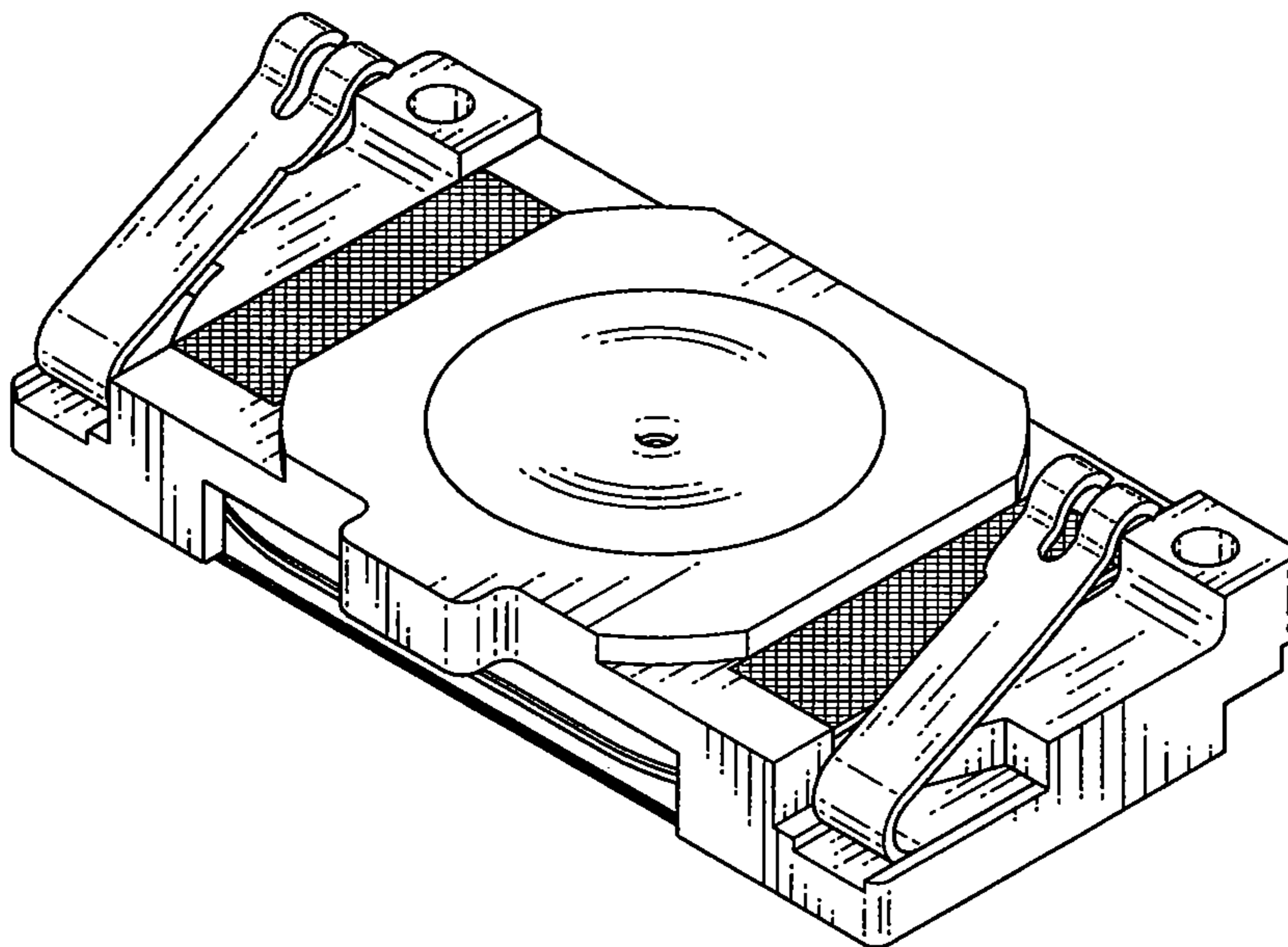
**1 Claim, 3 Drawing Sheets**



**Fig. 1**

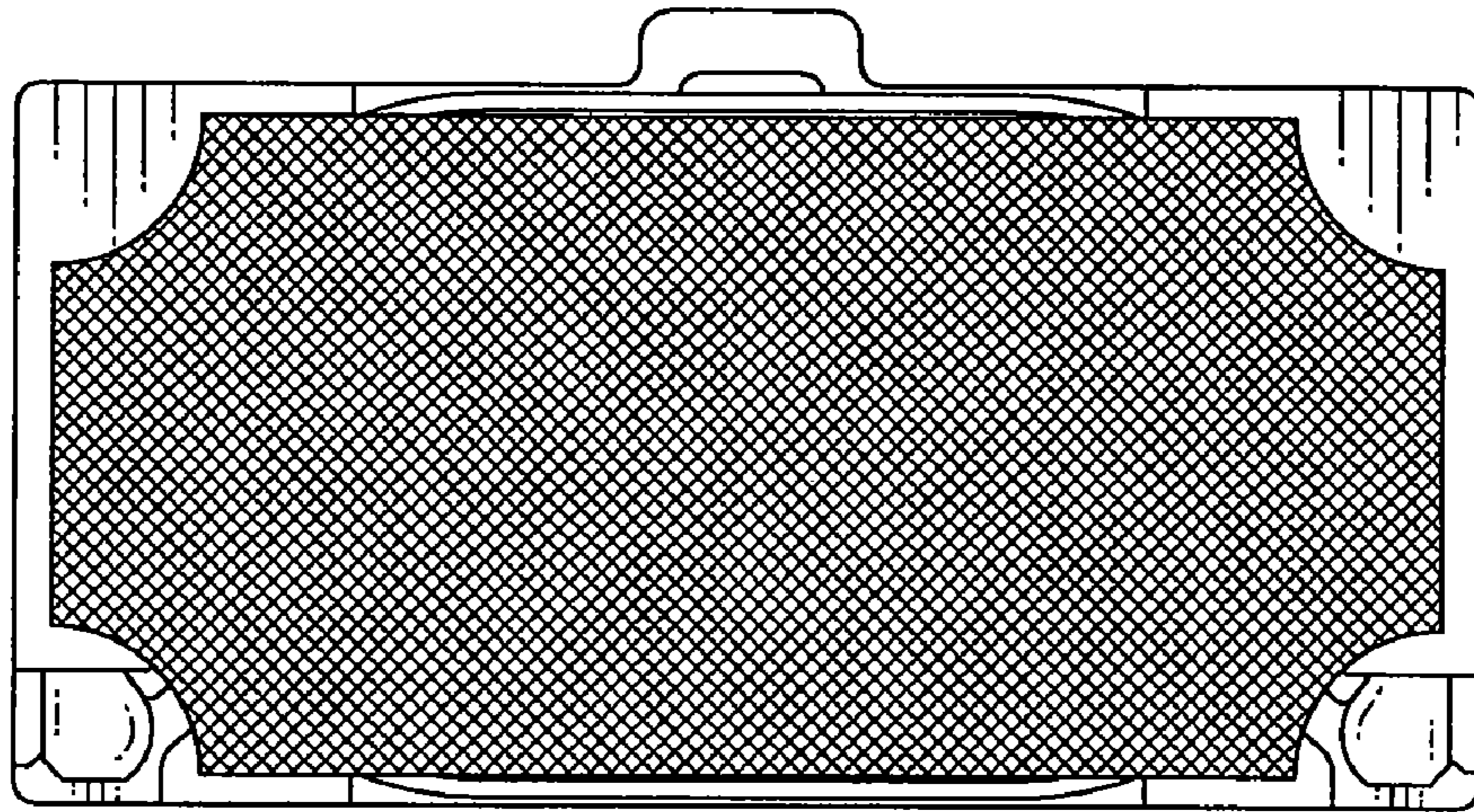


**Fig. 2**

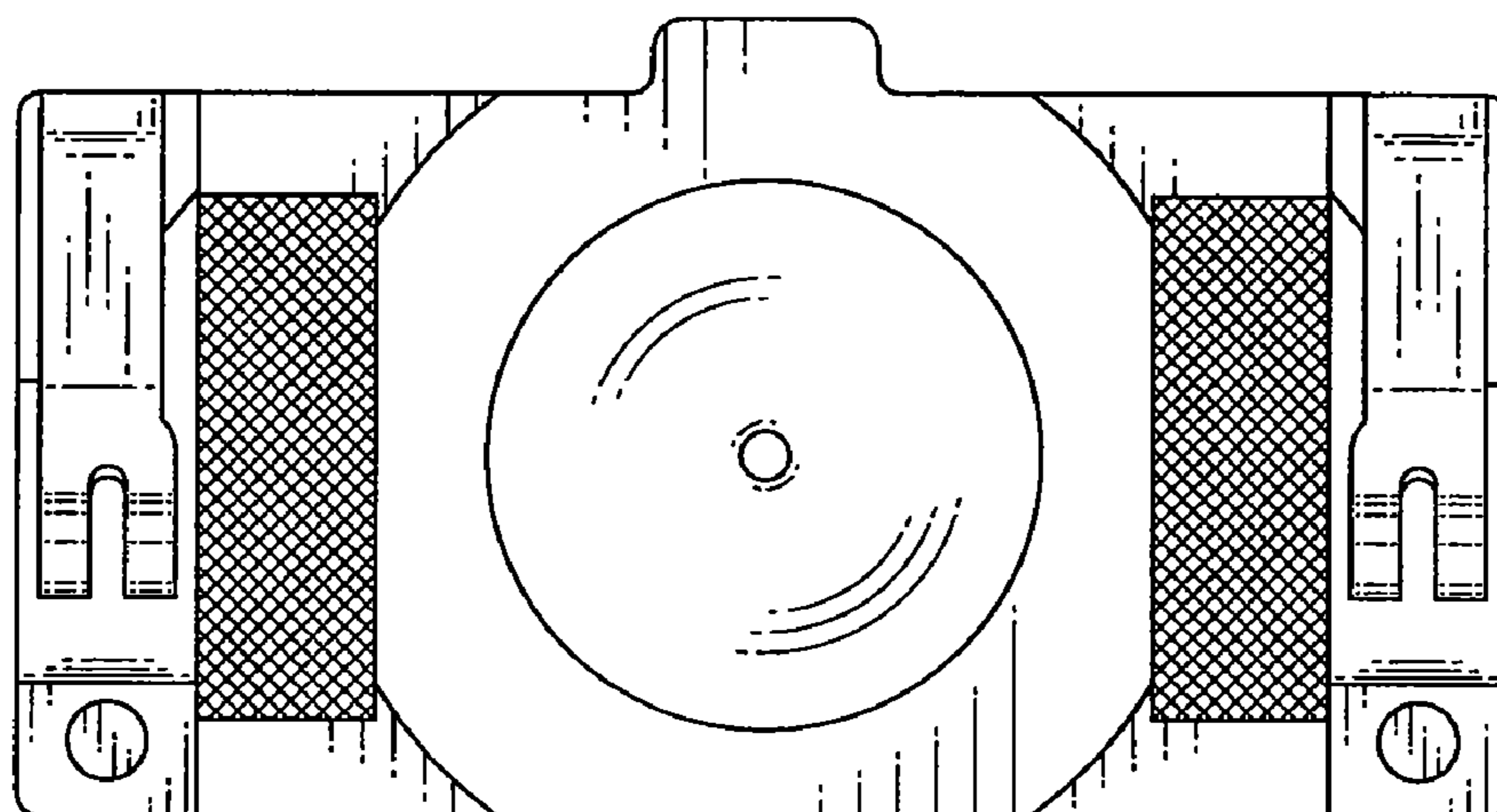




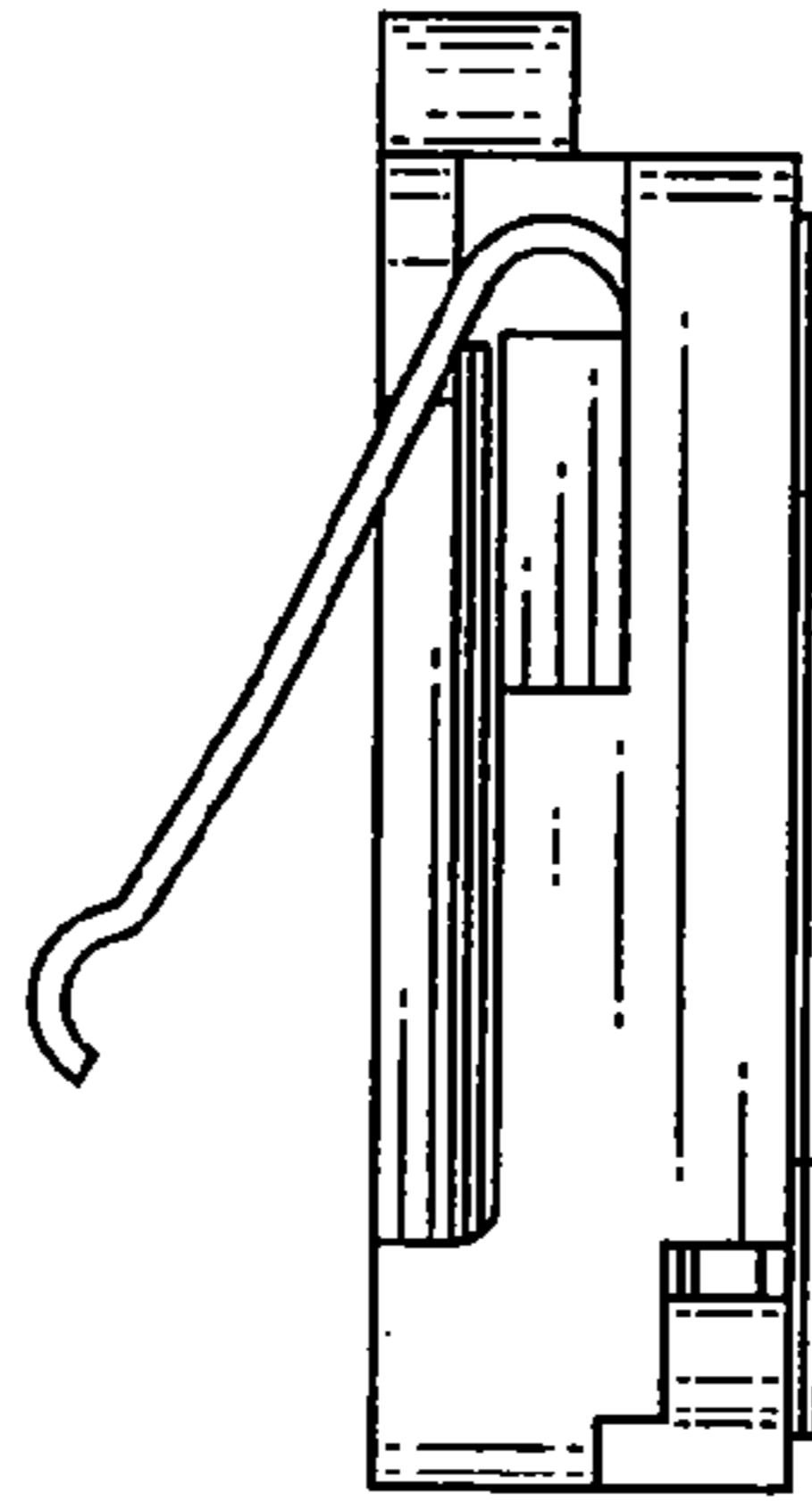
**Fig. 3**



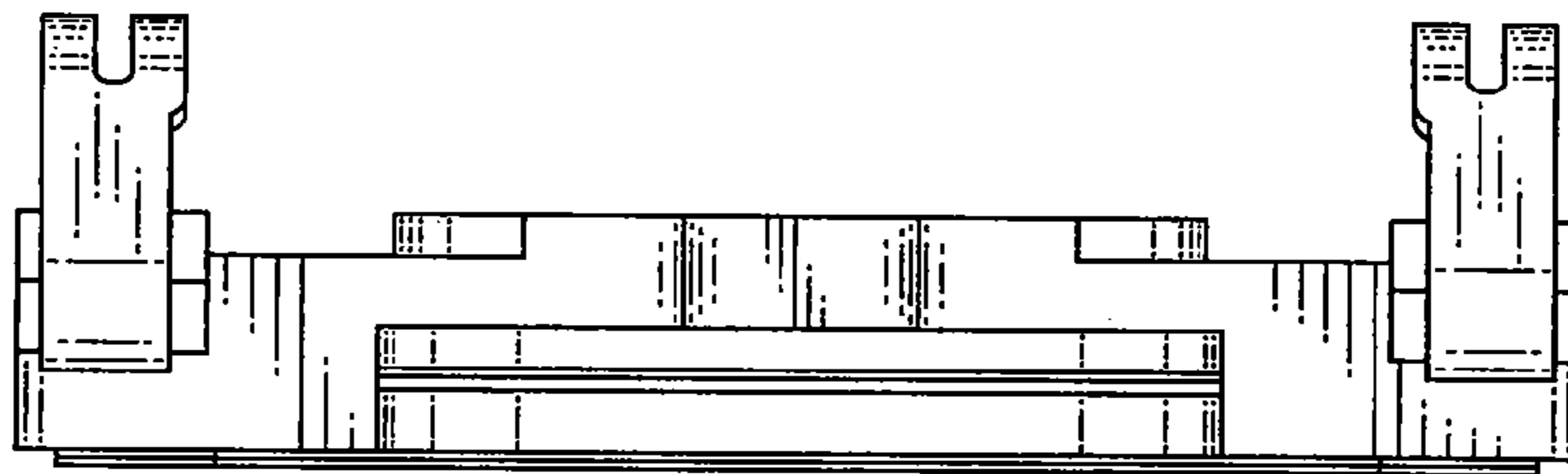
**Fig. 4**



**Fig. 5**



**Fig. 6**



**Fig. 7**

