

US00D592642S

(12) **United States Design Patent**  
**Andrews**

(10) **Patent No.:** **US D592,642 S**

(45) **Date of Patent:** **\*\* May 19, 2009**

(54) **DUAL-ANGLED SPEAKER CABINET**

(75) Inventor: **Robert A. Andrews**, 10304 E. Capri Ave., Mesa, AZ (US) 85208

(73) Assignee: **Robert A. Andrews**, Mesa, AZ (US)

(\*\*) Term: **14 Years**

(21) Appl. No.: **29/278,938**

(22) Filed: **Apr. 13, 2007**

(51) **LOC (9) Cl.** ..... **14-01**

(52) **U.S. Cl.** ..... **D14/214; D14/215; D14/212**

(58) **Field of Classification Search** ..... D14/204, D14/209-216; 181/143-144, 147-148, 150, 181/157, 198-199, 151, 153; 381/300-302, 381/306, 333, 345, 361-364, 386-388, 332, 381/336

See application file for complete search history.

(56) **References Cited**

**U.S. PATENT DOCUMENTS**

2,602,860	A *	7/1952	Doubt	.....	181/147
D307,014	S *	4/1990	Newman	.....	D14/210
D352,507	S *	11/1994	Price	.....	D14/215
D505,939	S *	6/2005	Dayan	.....	D14/215
D523,000	S *	6/2006	Bronson, III	.....	D14/215

\* cited by examiner

*Primary Examiner*—Nanda Bondade

(57) **CLAIM**

The ornamental design for dual-angled speaker cabinet, as shown and described.

**DESCRIPTION**

FIG. 1 is a perspective view of a dual-angled speaker cabinet showing my new design;

FIG. 2 is a front elevational view thereof;

FIG. 3 is a rear elevational view thereof;

FIG. 4 is a left side elevational view thereof, the right side view being a mirror image;

FIG. 5 is a top plan view thereof;

FIG. 6 is a bottom plan view thereof;

FIG. 7 is a perspective view of an alternate embodiment of FIG. 1;

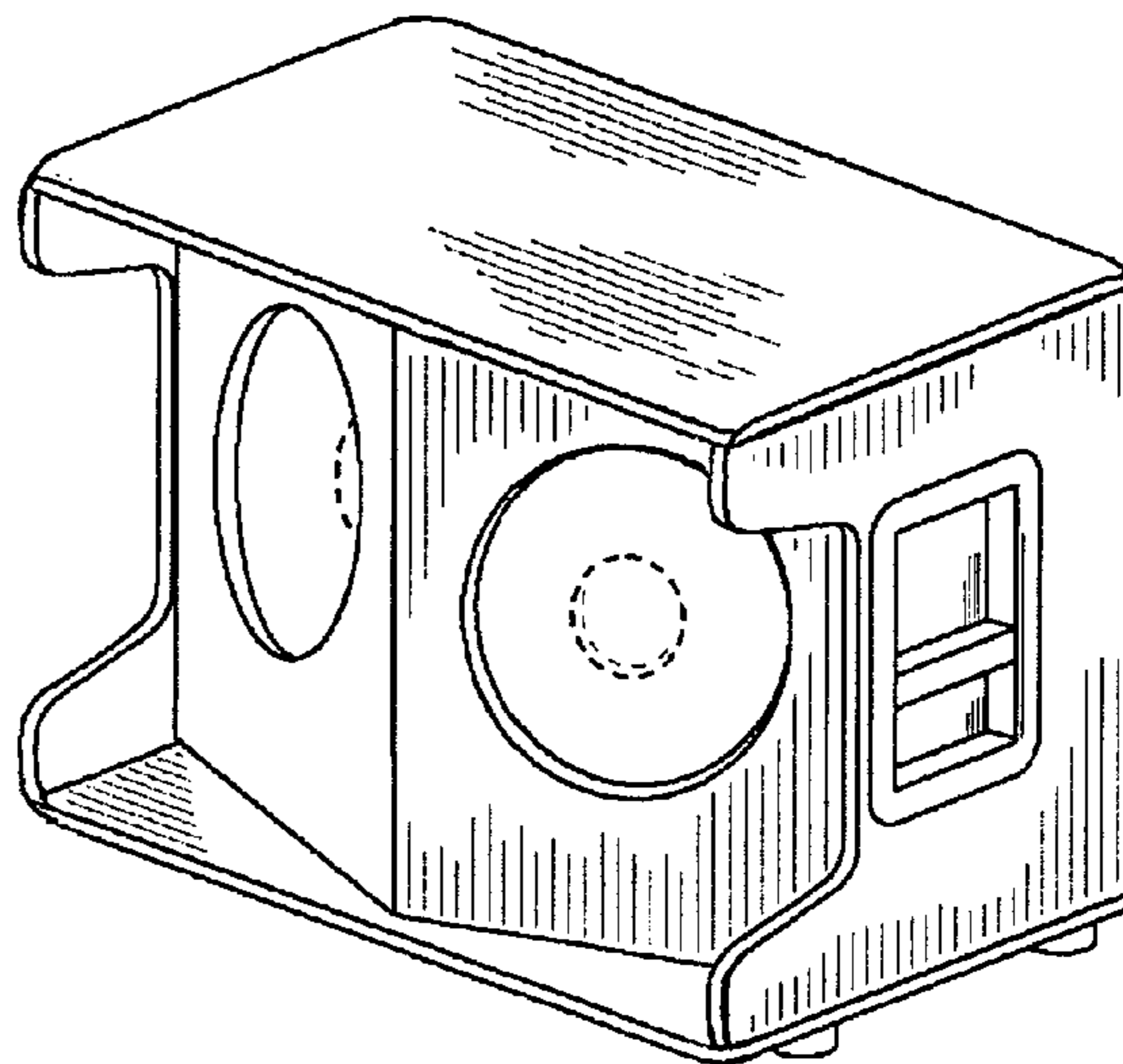
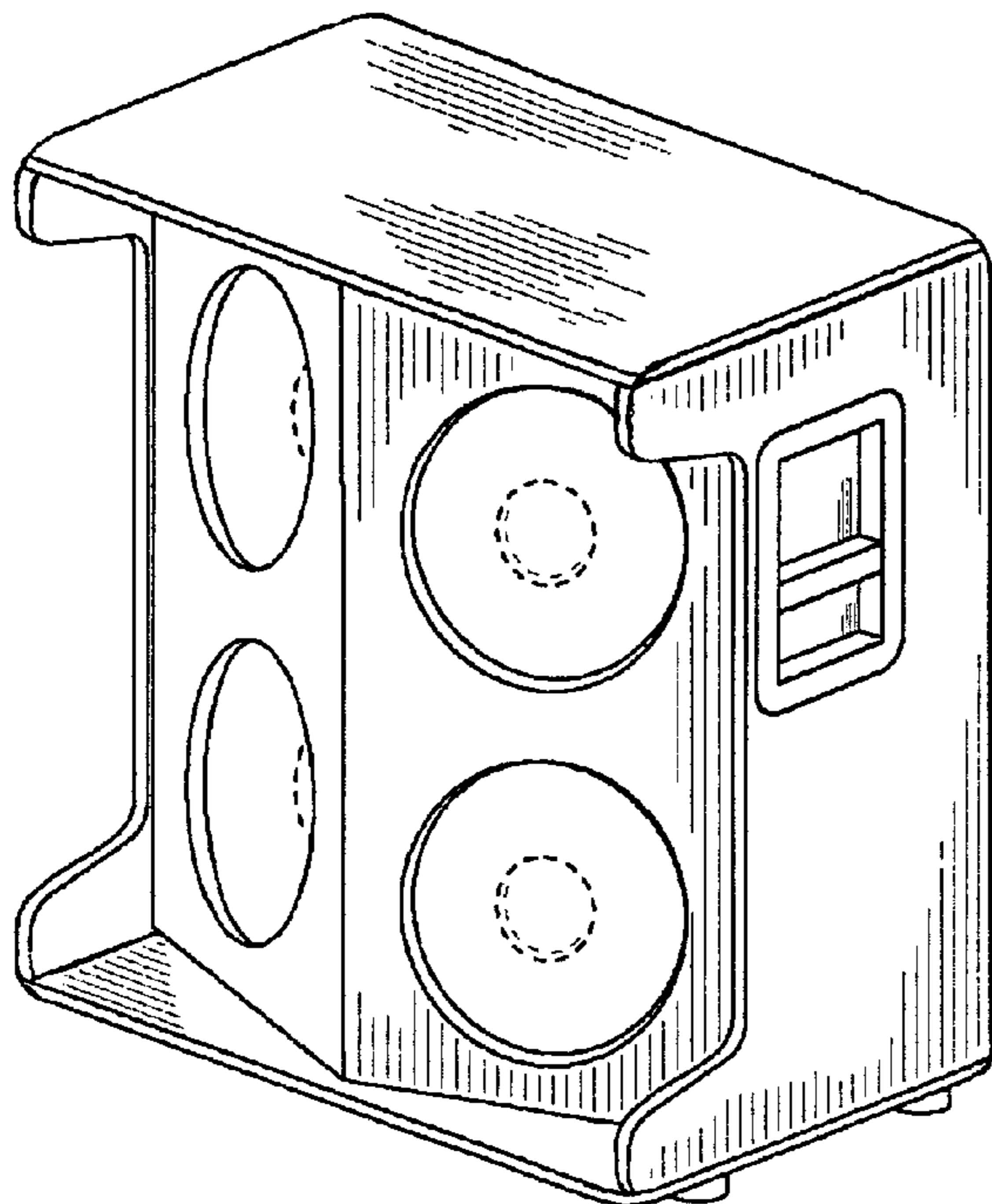
FIG. 8 is a front elevational view of FIG. 7;

FIG. 9 is a rear elevational view of FIG. 7; and,

FIG. 10 is a left side elevational view of FIG. 7, the right side elevational view being a mirror image.

The broken lines showing on FIGS. 1, 7 and 10 are included for the purposes of illustrating speakers mounted in the invention and form no part of the claimed design.

**1 Claim, 3 Drawing Sheets**



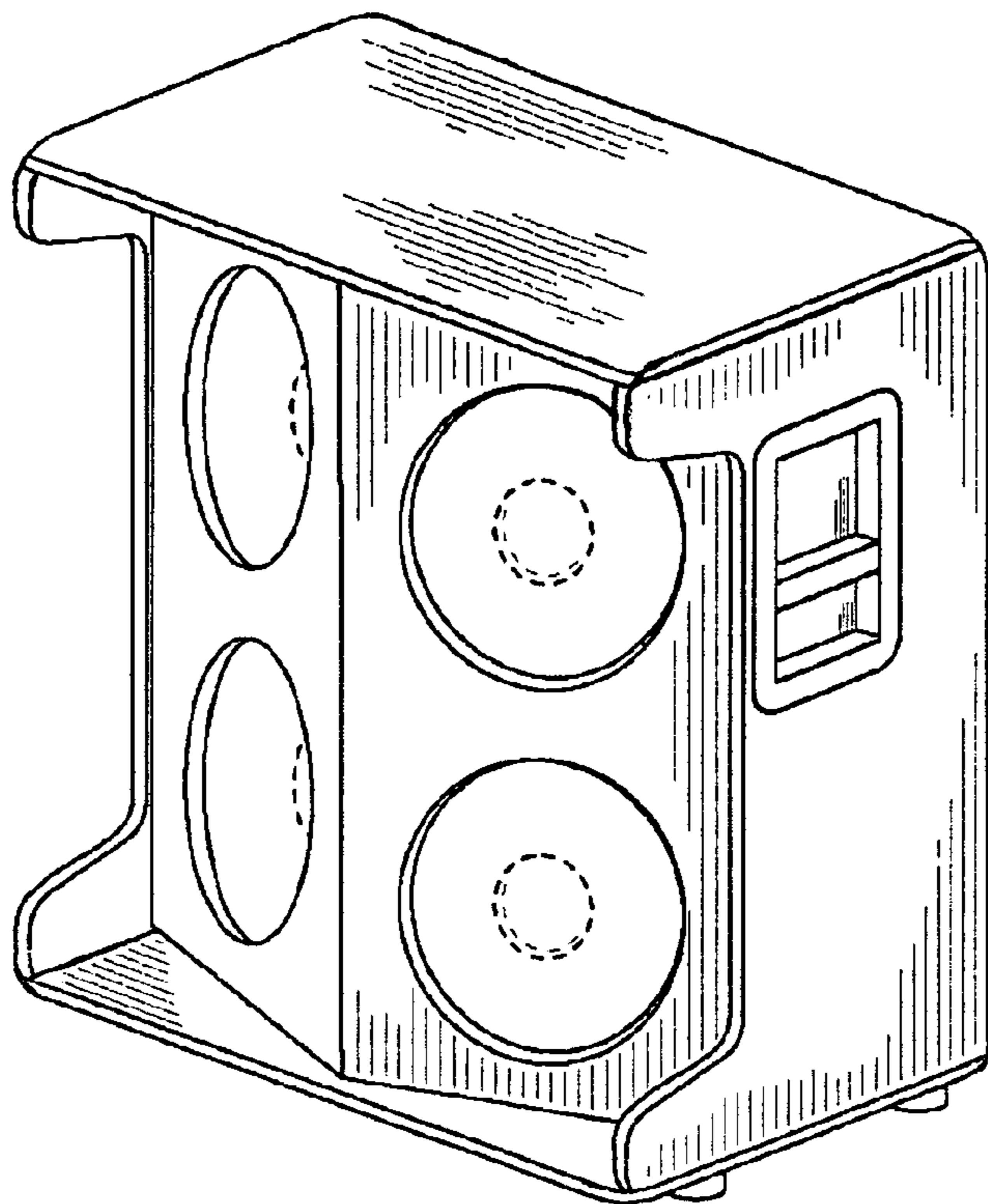


FIG. 1

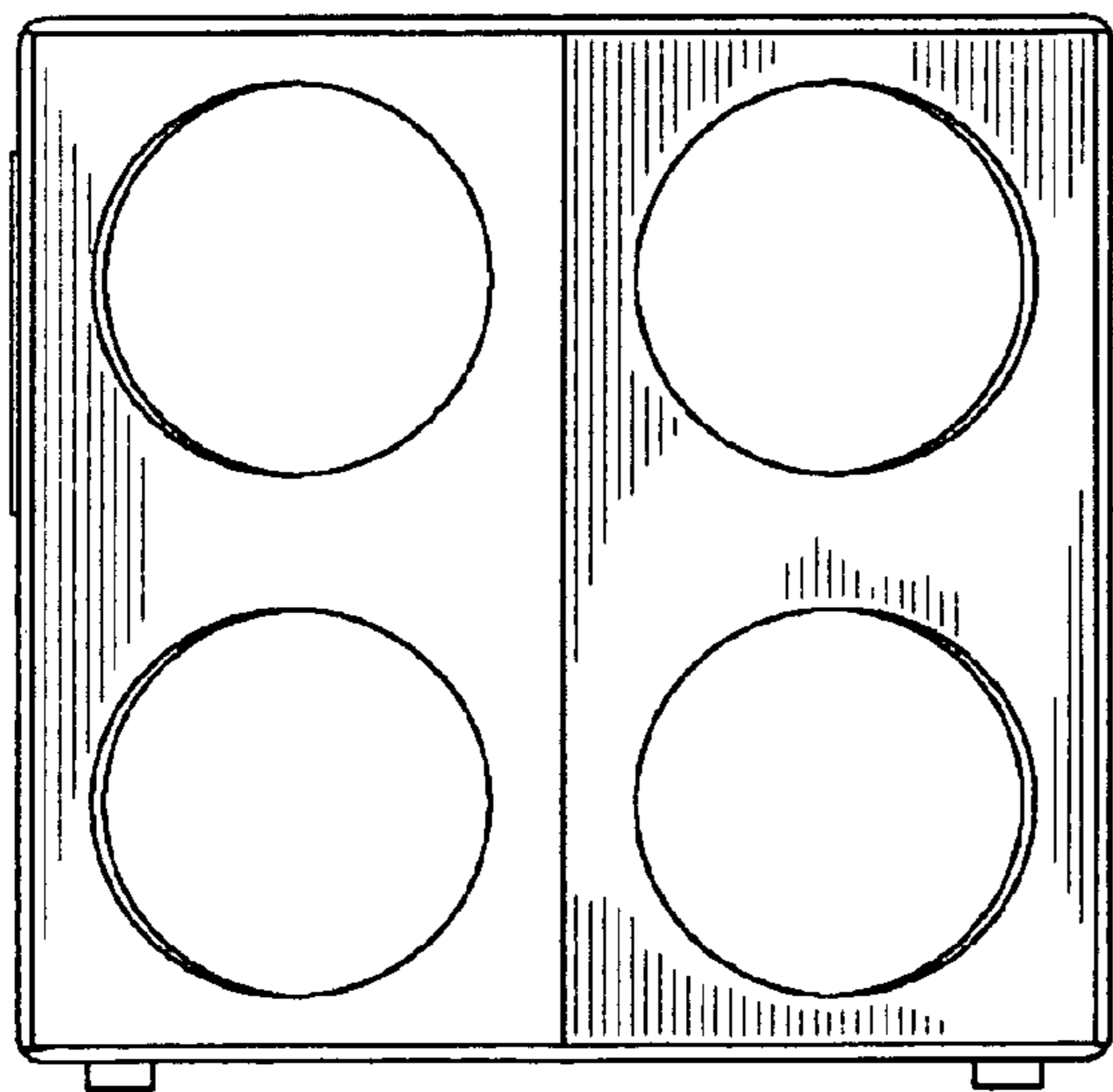


FIG. 2

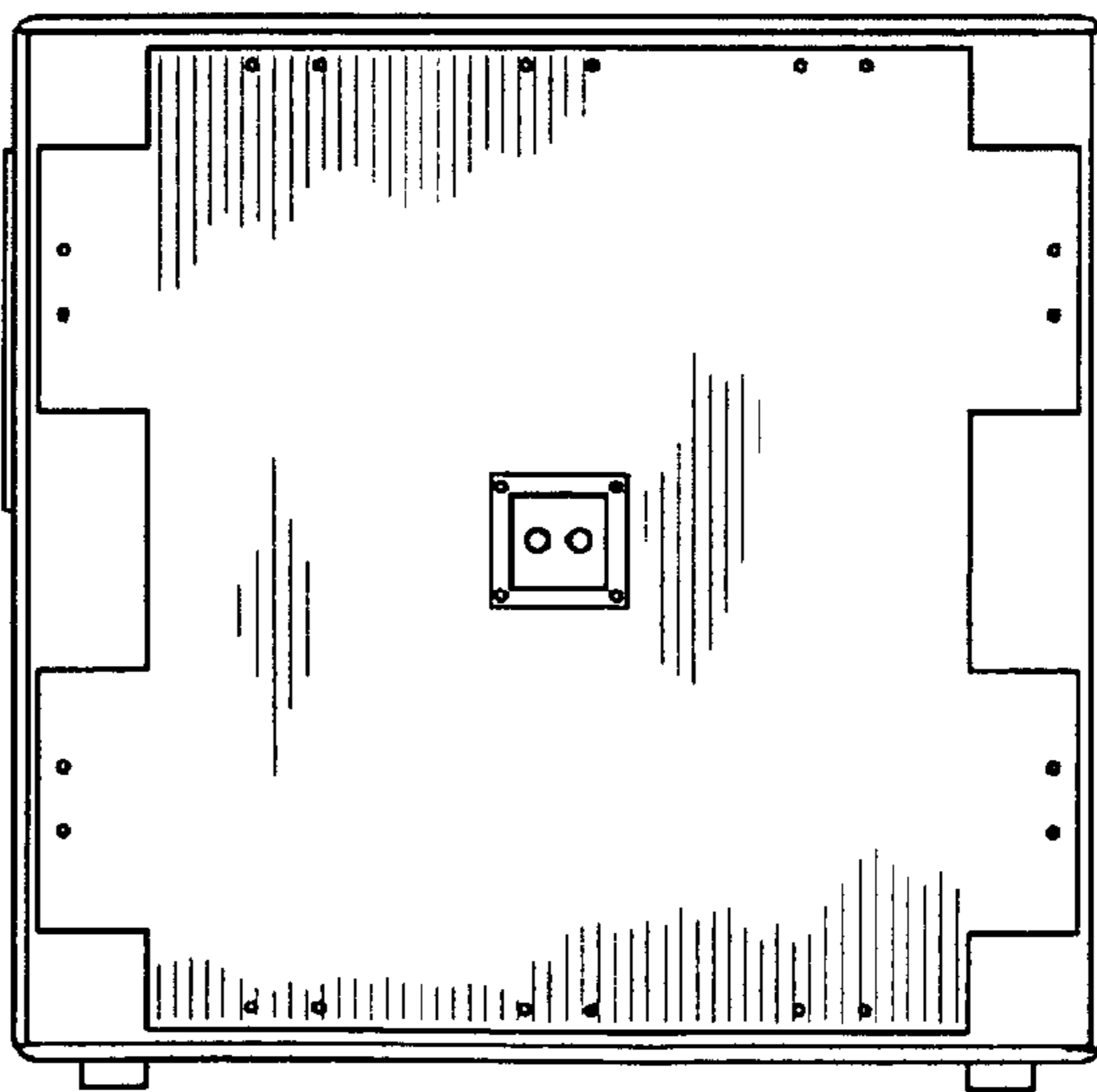


FIG. 3

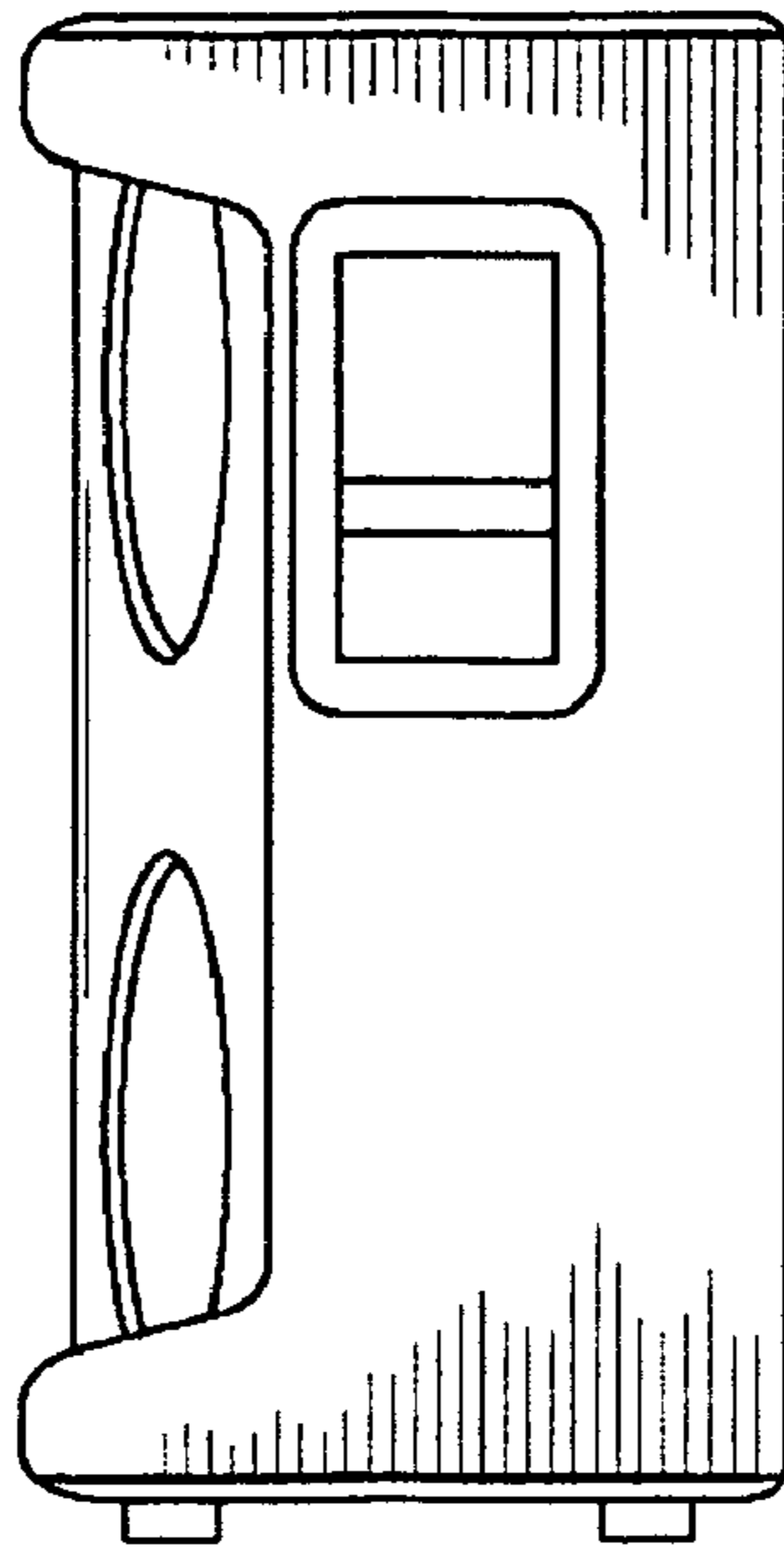


FIG. 4

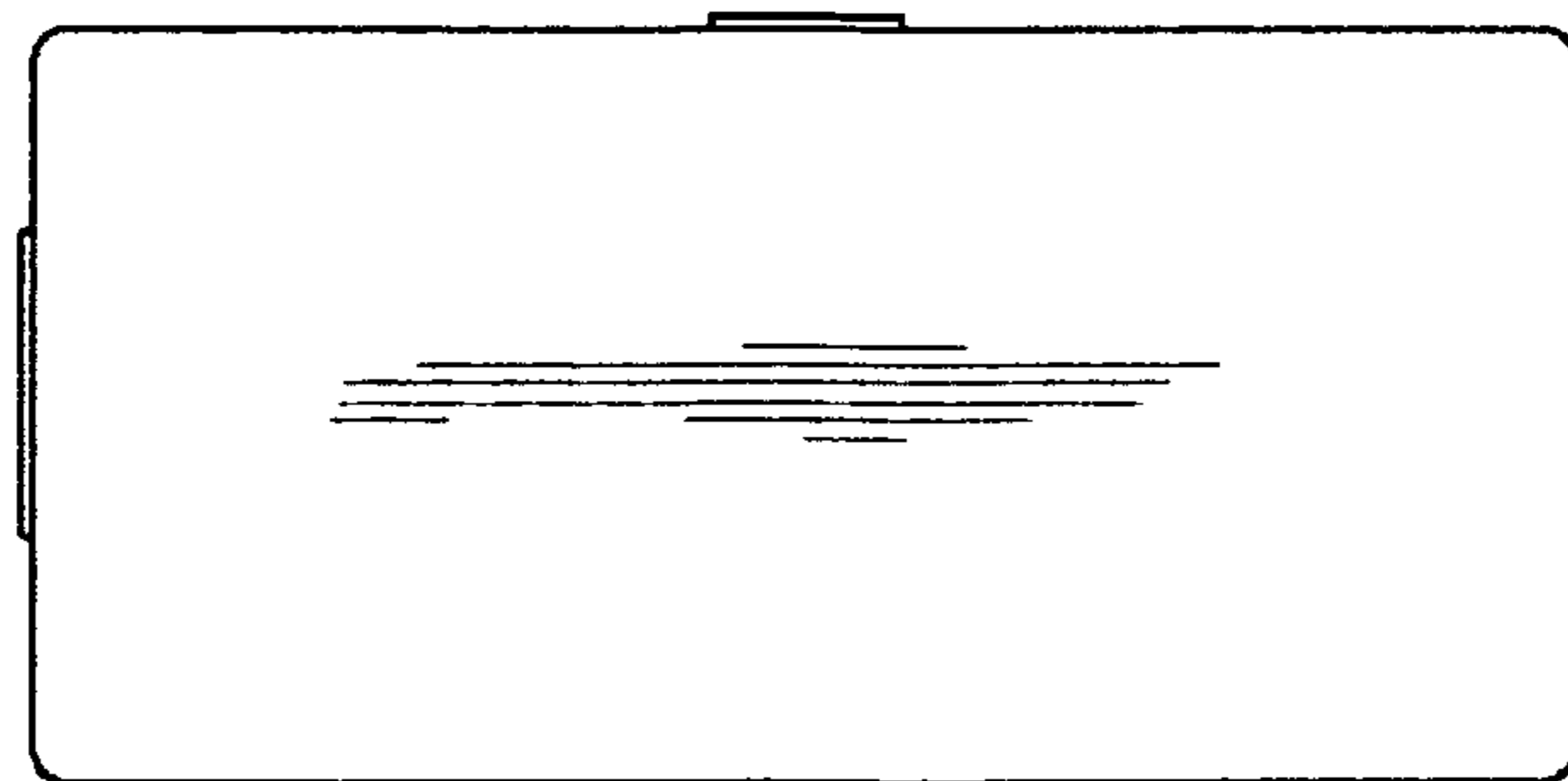


FIG. 5

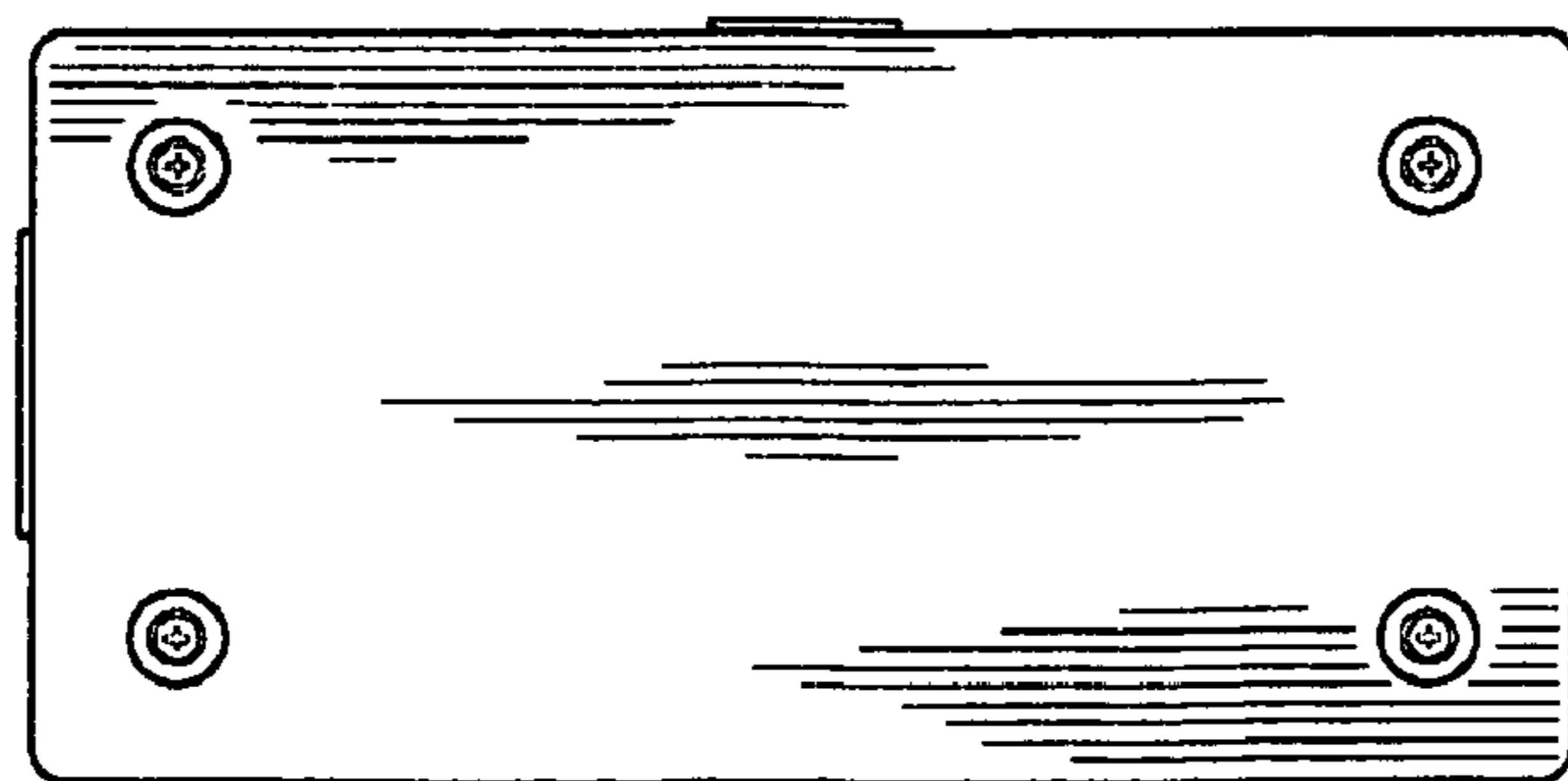


FIG. 6

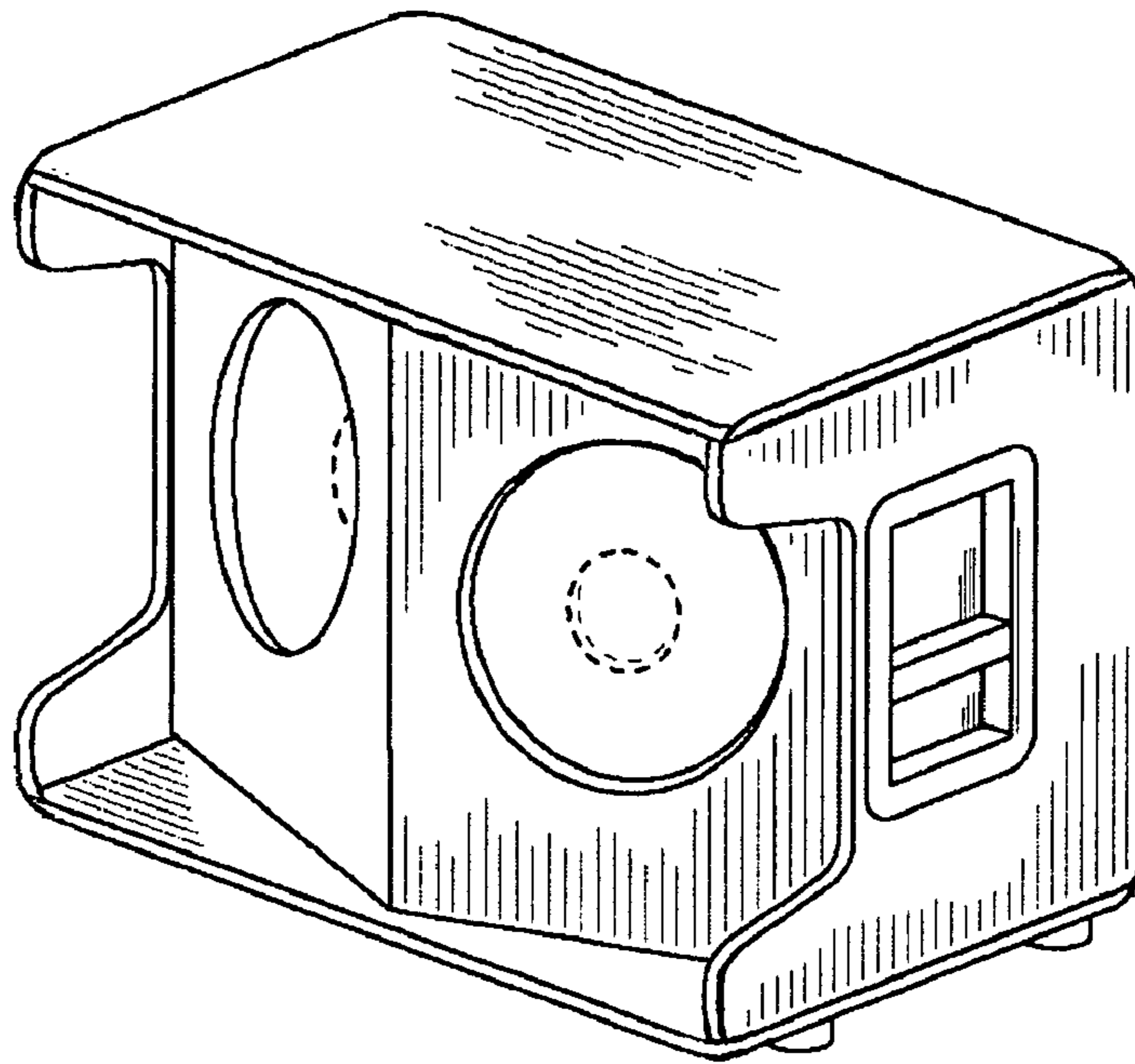


FIG. 7

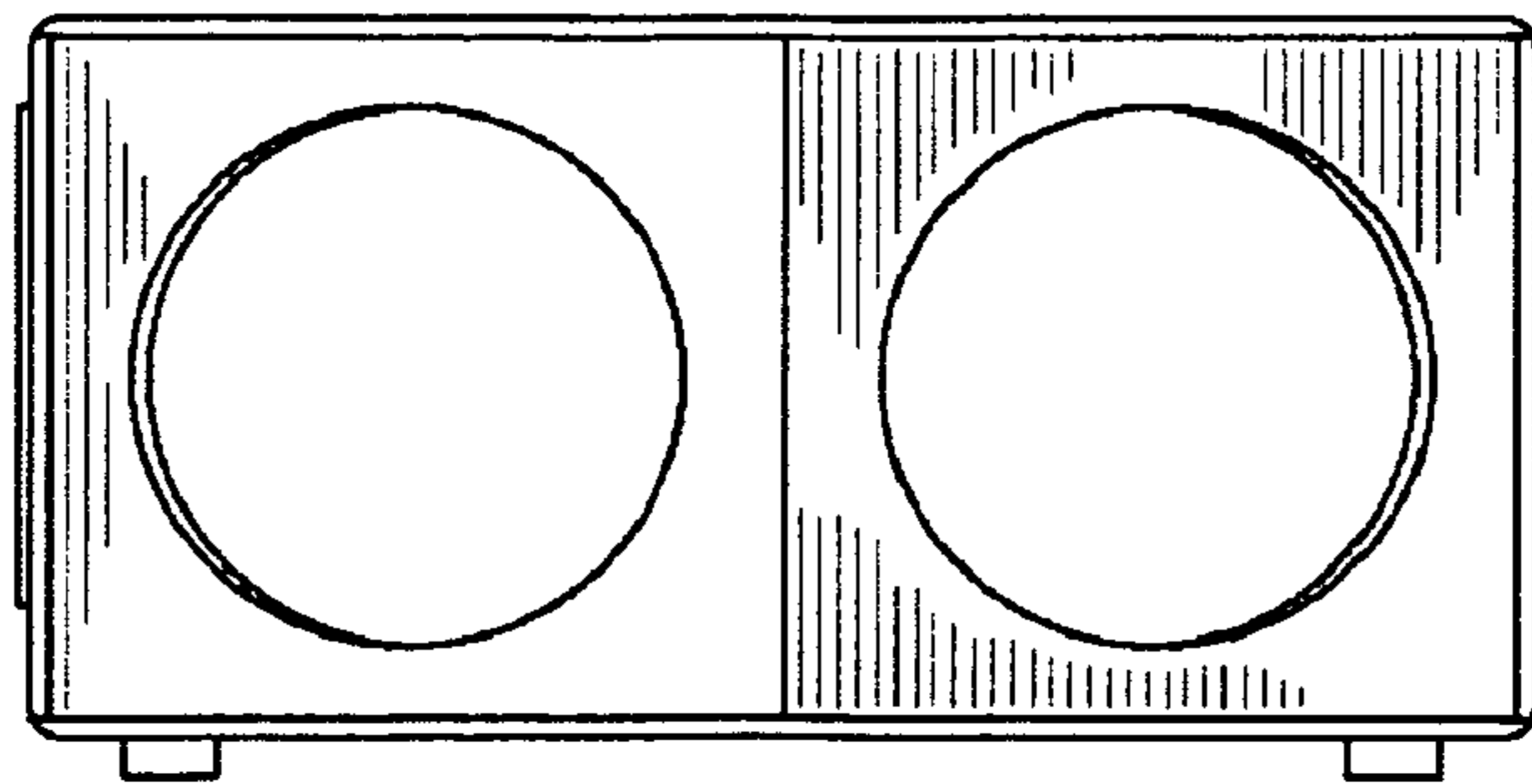


FIG. 8

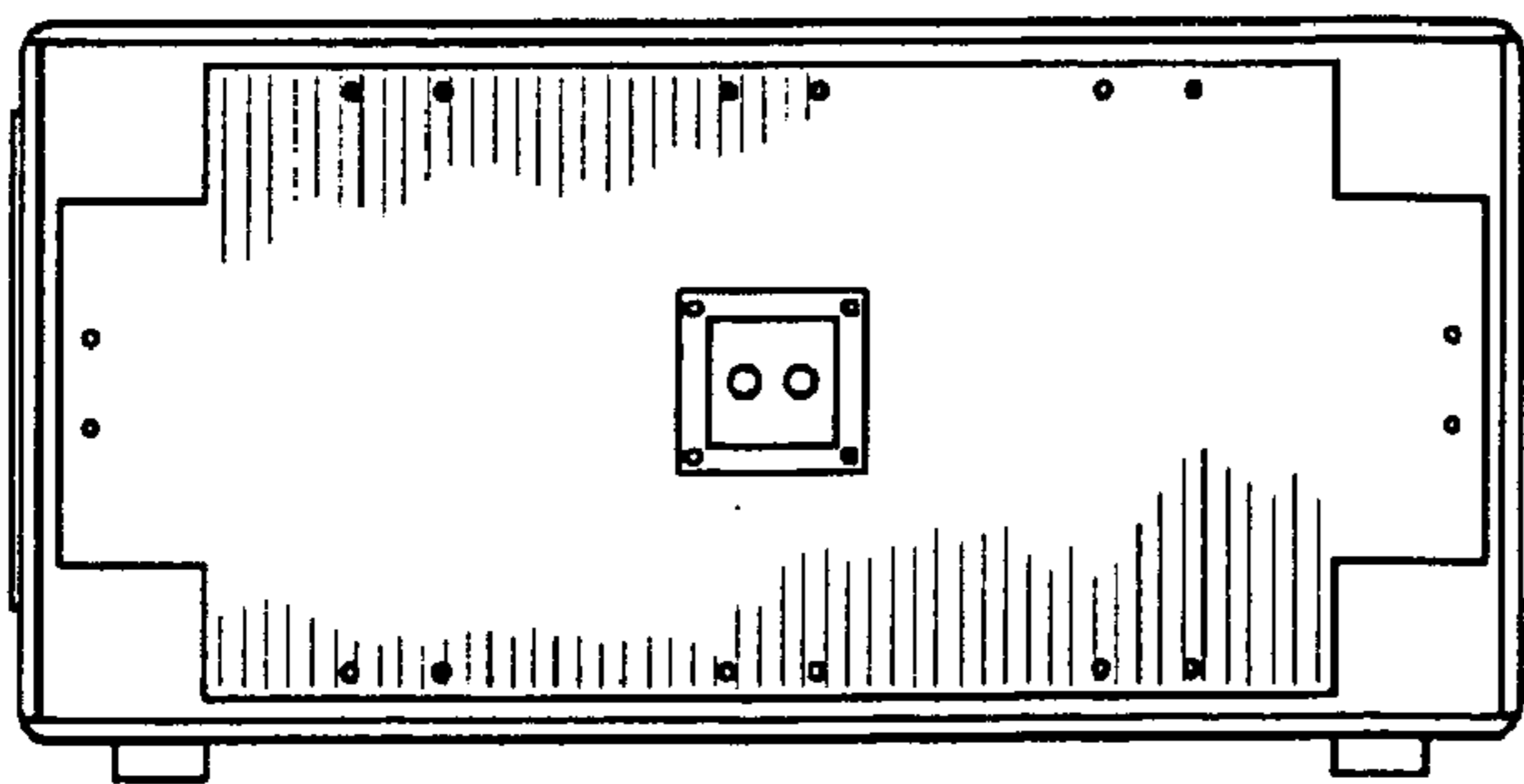


FIG. 9

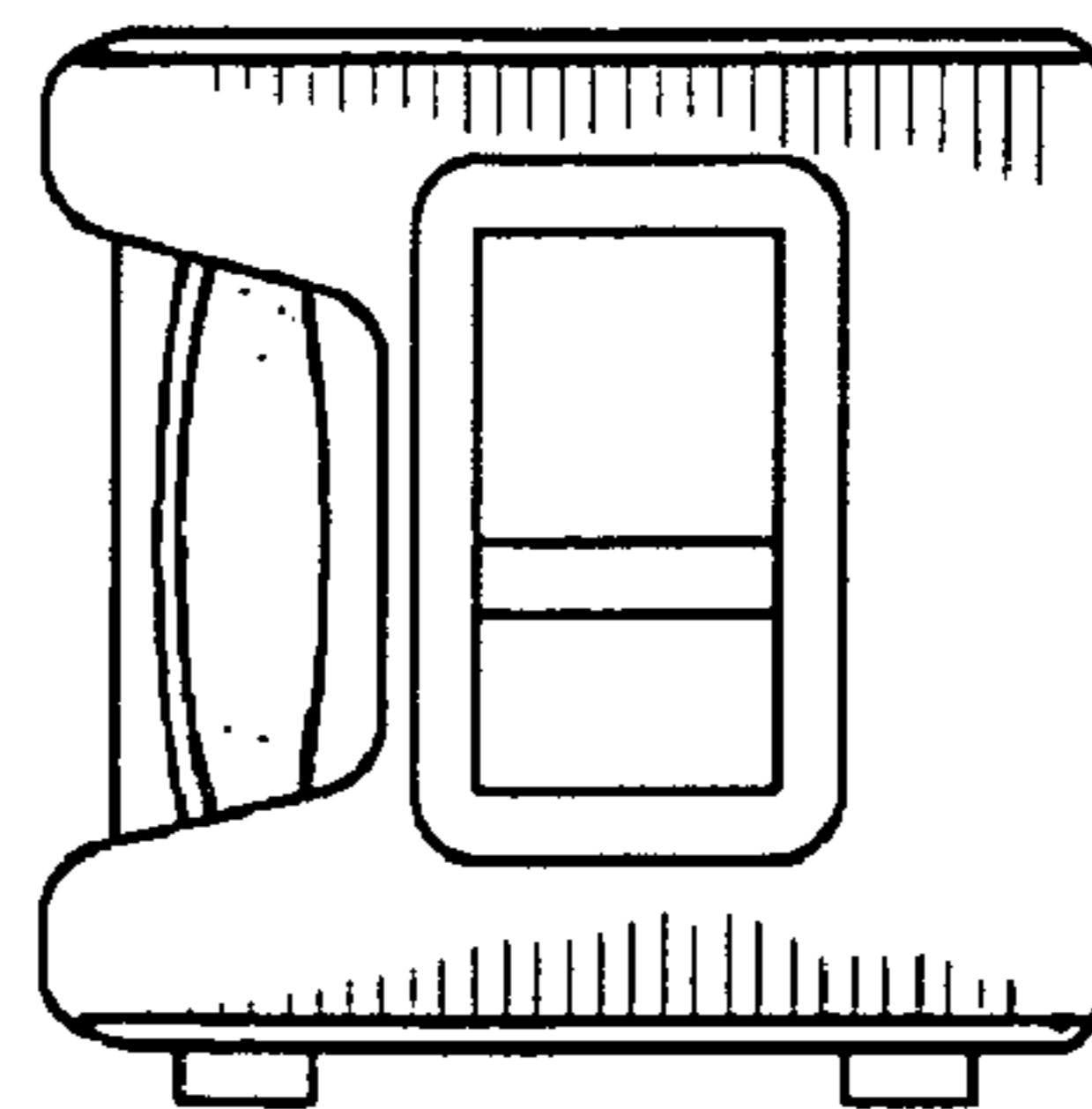


FIG. 10