



US00D592641S

(12) **United States Design Patent**
Ryu et al.

(10) **Patent No.:** **US D592,641 S**

(45) **Date of Patent:** **** May 19, 2009**

- (54) **SPEAKER FOR HOME THEATER**
- (75) Inventors: **Dai Hyung Ryu**, Suwon-Si (KR); **Tae Ho Kim**, Seoul (KR)
- (73) Assignee: **LG Electronics Inc.**, Seoul (KR)
- (**) Term: **14 Years**
- (21) Appl. No.: **29/273,166**
- (22) Filed: **Feb. 28, 2007**
- (30) **Foreign Application Priority Data**
Aug. 30, 2006 (KR) 30-2006-0035743
- (51) **LOC (9) Cl.** **14-01**
- (52) **U.S. Cl.** **D14/214**
- (58) **Field of Classification Search** D14/204,
D14/207, 210–216; 181/143–144, 147–148,
181/150–153, 157, 198–199; 381/300–303,
381/306, 332–333, 336, 345, 361–364, 386–388
See application file for complete search history.

- (56) **References Cited**
U.S. PATENT DOCUMENTS
D280,985 S * 10/1985 Grimes D14/214
D417,217 S * 11/1999 Heath D14/215
D480,372 S * 10/2003 Chen et al. D14/136

- D517,047 S * 3/2006 Sato et al. D14/214
- D521,980 S * 5/2006 Yao D14/214
- D538,266 S * 3/2007 Yoon et al. D14/214

* cited by examiner

Primary Examiner—Nanda Bondade

(74) *Attorney, Agent, or Firm*—Birch, Stewart, Kolasch & Birch, LLP

(57) **CLAIM**

The ornamental design for a speaker for home theater, as shown.

DESCRIPTION

FIG. 1 is a front, left perspective view of the speaker for home theater showing our new design;

FIG. 2 is a front view thereof;

FIG. 3 is a rear view thereof;

FIG. 4 is a left side view thereof;

FIG. 5 is a right side view thereof;

FIG. 6 is a top plan view thereof; and,

FIG. 7 is a bottom plan view thereof.

The broken line showing on the drawing disclosure is for illustrative purposes only and forms no part of the claimed design.

1 Claim, 3 Drawing Sheets

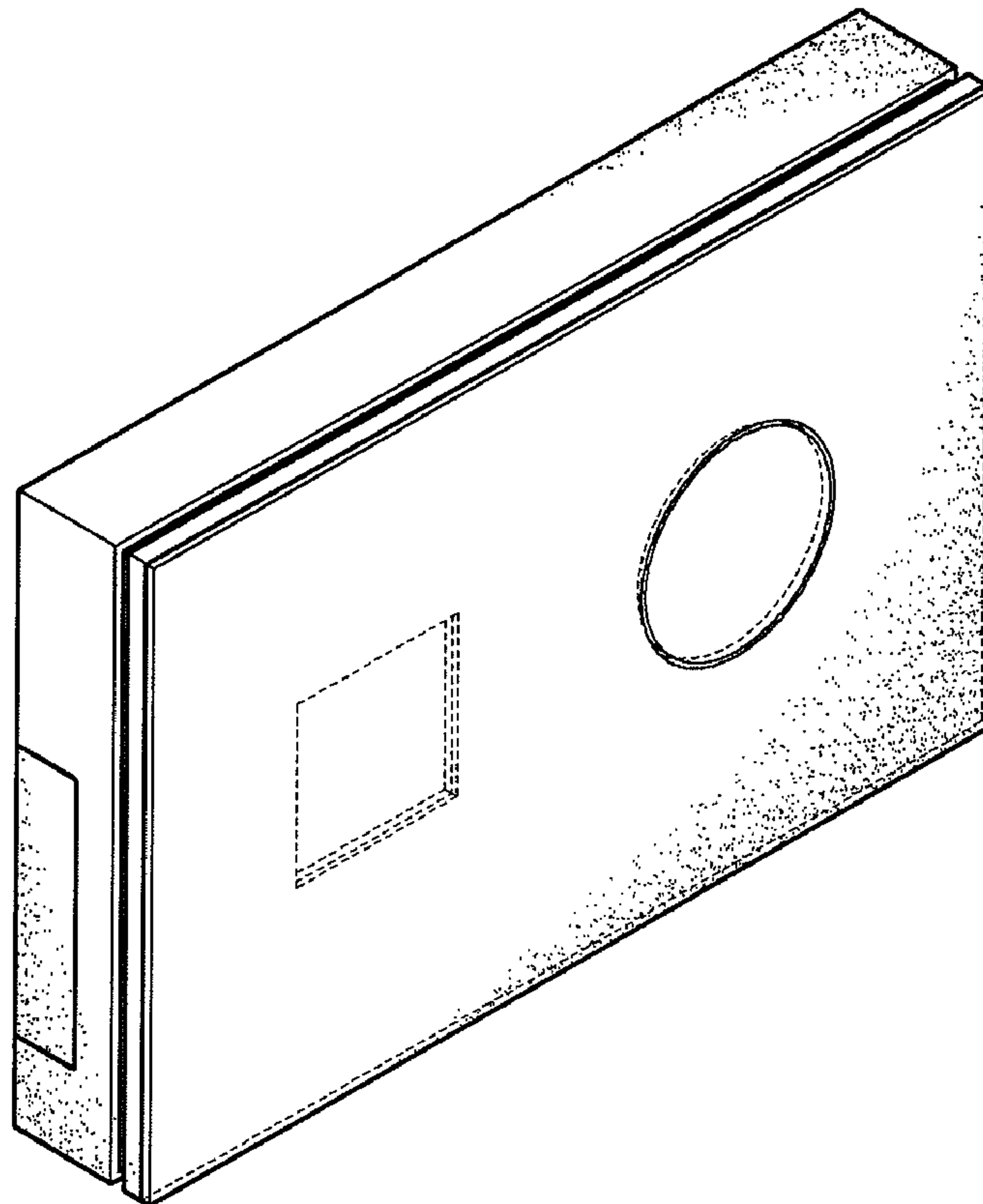


Fig. 1

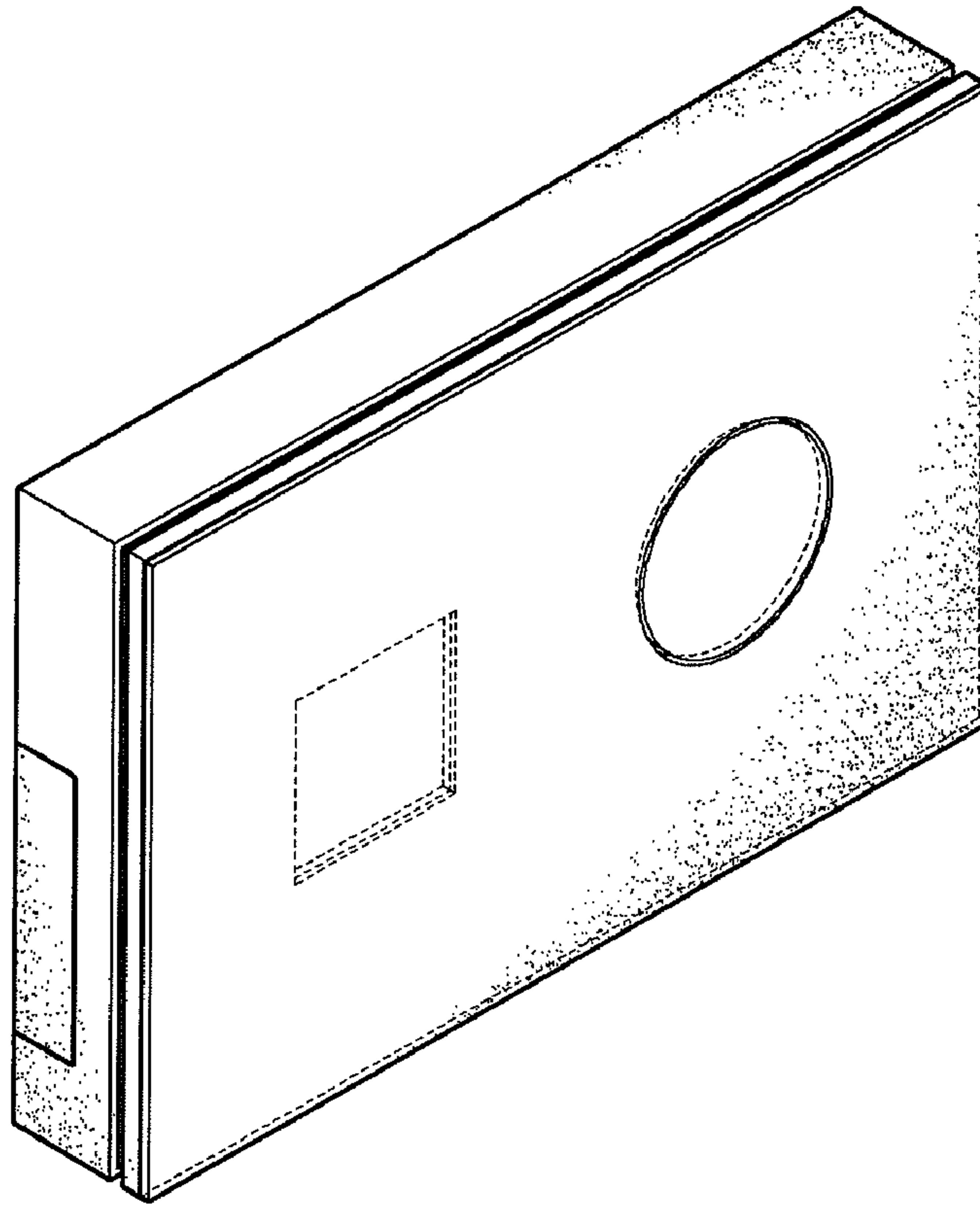


Fig. 2

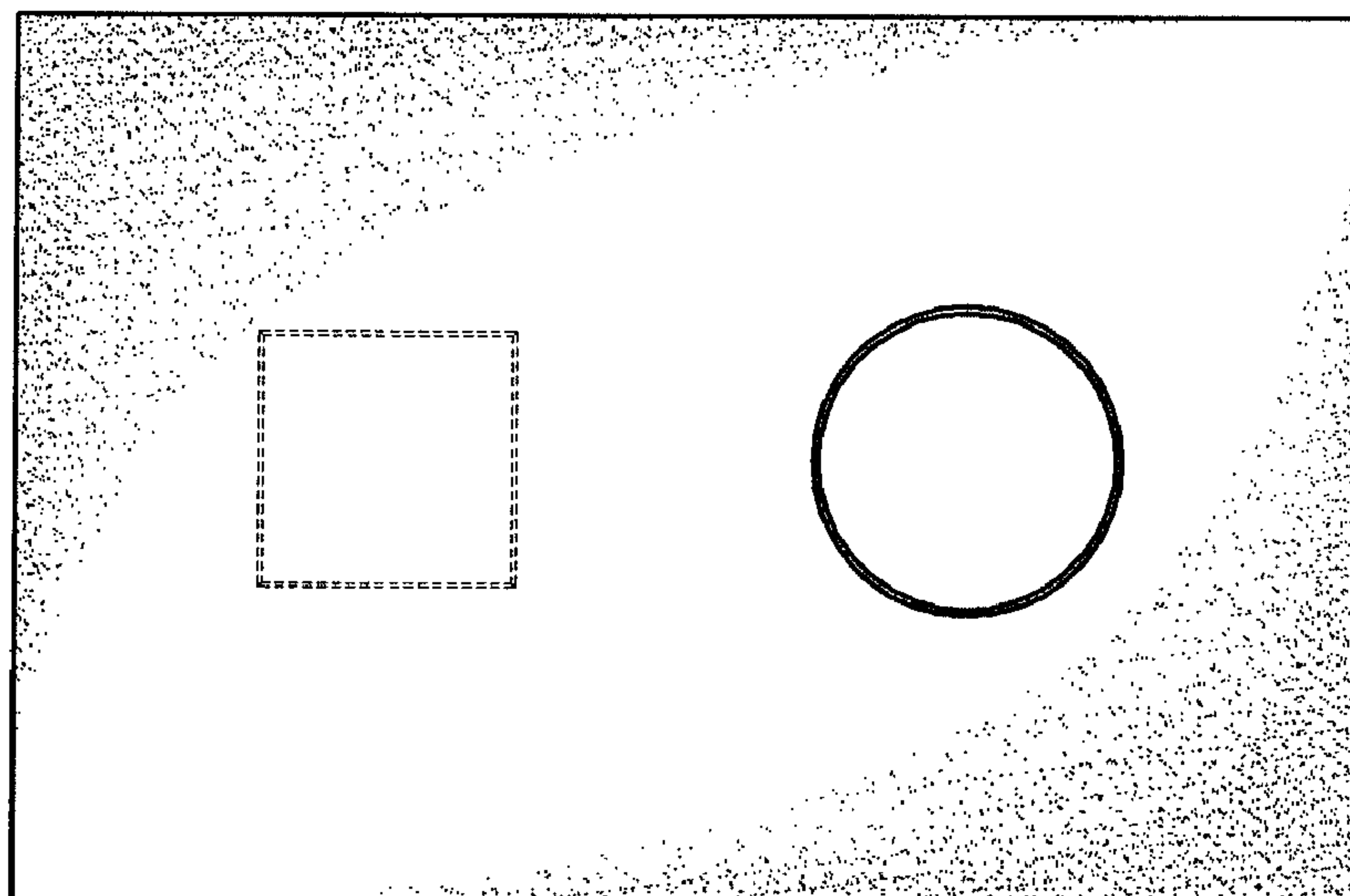


Fig. 3

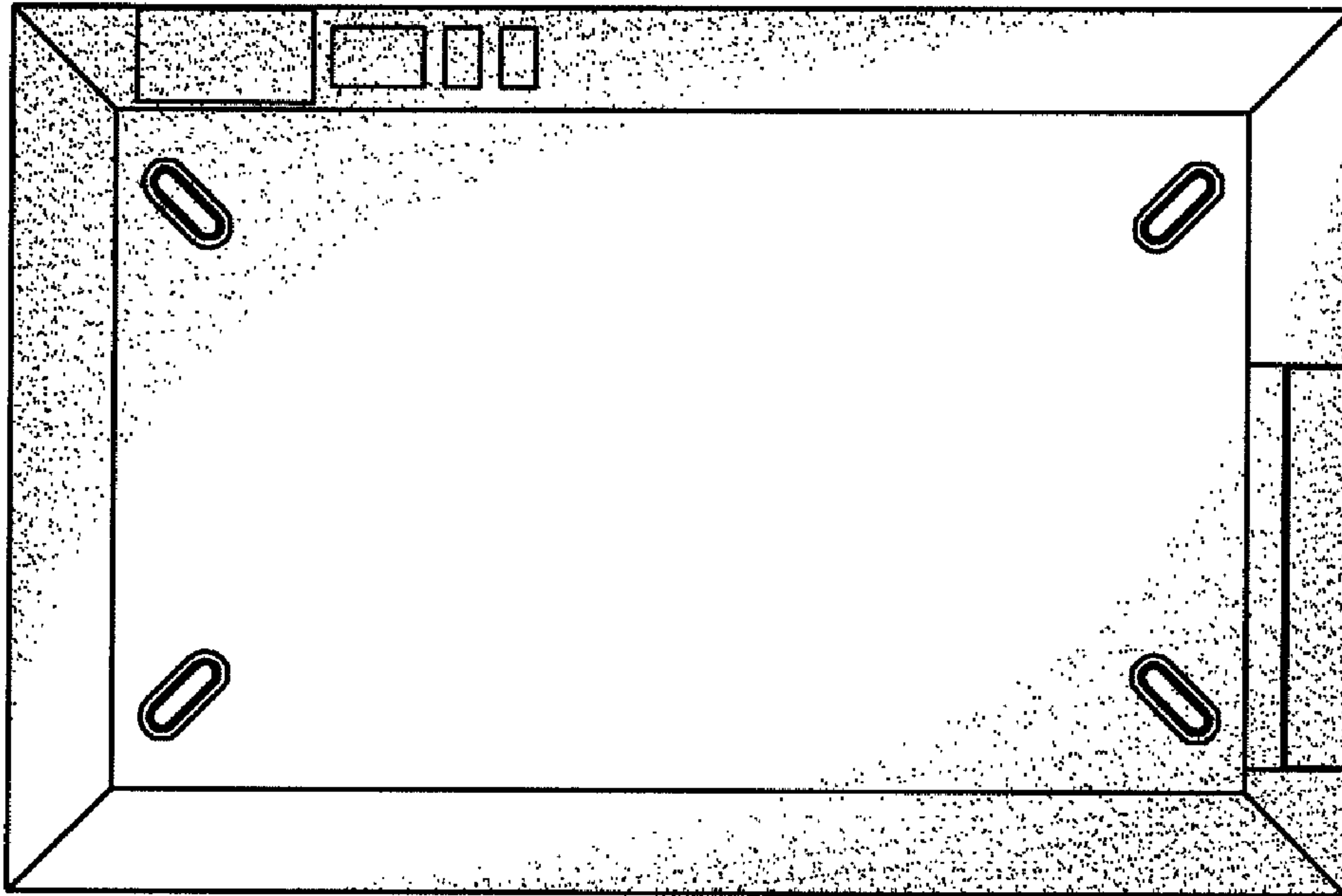


Fig. 4

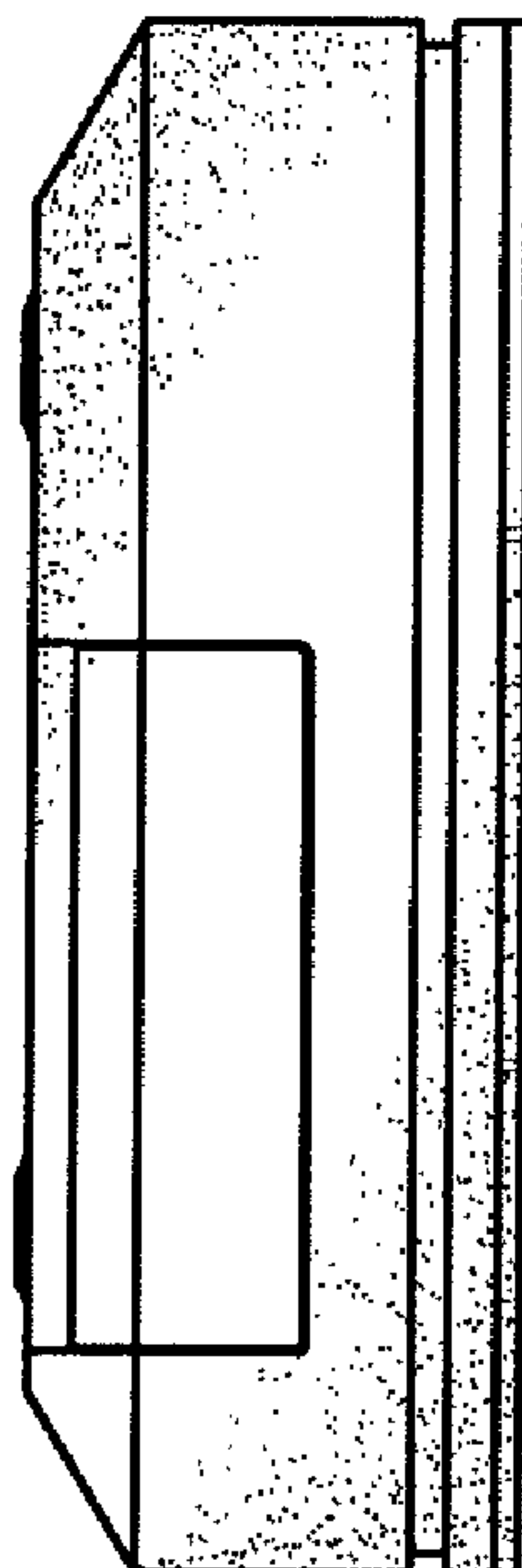


Fig. 5

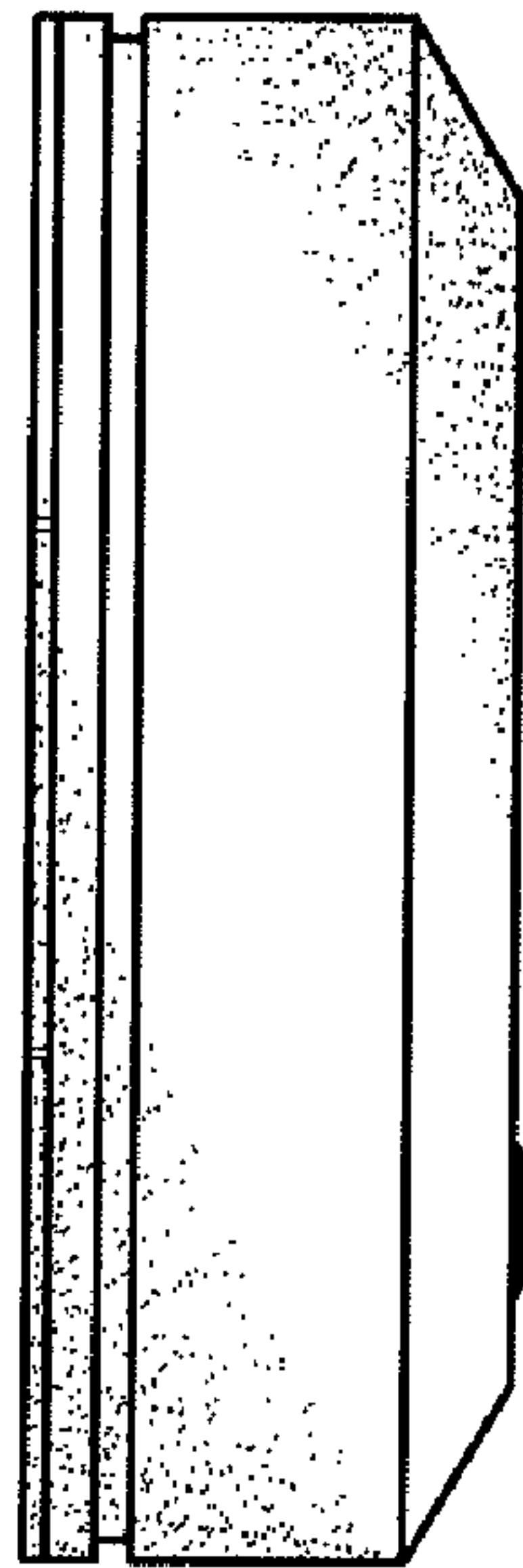


Fig. 6

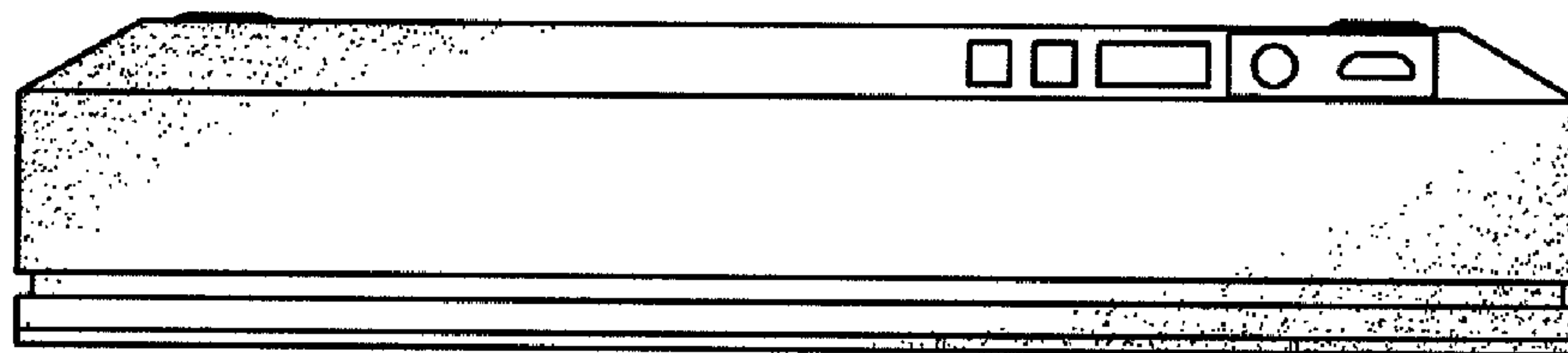


Fig. 7

