

US00D592640S

(12) **United States Design Patent**
Tkachuk

(10) **Patent No.:** **US D592,640 S**

(45) **Date of Patent:** **** May 19, 2009**

(54) **BLUETOOTH HEADSET**

(75) Inventor: **Steven Tkachuk**, Los Angeles, CA (US)

(73) Assignee: **Samsung Electronics Co., Ltd.**,
Suwon-Si (KR)

(**) Term: **14 Years**

(21) Appl. No.: **29/323,726**

(22) Filed: **Aug. 29, 2008**

(30) **Foreign Application Priority Data**

Apr. 3, 2008 (KR) 30-2008-0014236

(51) **LOC (9) Cl.** **14-01**

(52) **U.S. Cl.** **D14/205**

(58) **Field of Classification Search** D14/205,
D14/206, 223, 142, 188, 192; 181/129, 130;
379/430, 433.01, 433.02, 433.06, 433.07;
381/370, 374, 379, 380, 381, 383; 455/575.1,
455/575.2, 569.2; D29/112; 2/209; 128/866,
128/857; 343/718

See application file for complete search history.

(56) **References Cited**

U.S. PATENT DOCUMENTS

D316,861 S * 5/1991 Yoda et al. D14/205
D328,074 S * 7/1992 Yamazaki et al. D14/205
D346,802 S * 5/1994 Sacherman et al. D14/206
D358,388 S * 5/1995 Nakamura et al. D14/205
D394,062 S * 5/1998 Chun D14/192
D439,574 S * 3/2001 Katayama D14/203.5
D444,140 S * 6/2001 Ishibashi D14/192
D453,015 S * 1/2002 Yuyama D14/205

D484,485 S * 12/2003 Matsuoka D14/205
D504,414 S * 4/2005 Yoshida D14/192
D508,908 S * 8/2005 Chueh D14/205
D510,335 S * 10/2005 Suzuki D14/205
6,980,165 B2 * 12/2005 Yuasa et al. 343/718
D540,302 S * 4/2007 Hagiwara et al. D14/205
D540,303 S * 4/2007 Rausch et al. D14/205
D541,255 S * 4/2007 Taylor et al. D14/205
D549,688 S * 8/2007 Suzuki D14/205
D557,684 S * 12/2007 Pundsack et al. D14/205
7,356,362 B2 * 4/2008 Chang et al. 455/575.2
D582,890 S * 12/2008 Koza et al. D14/205
D583,800 S * 12/2008 Jaakkola et al. D14/205

* cited by examiner

Primary Examiner—Paula Greene

(74) *Attorney, Agent, or Firm*—Staas & Halsey LLP

(57) **CLAIM**

The ornamental design for a bluetooth headset, as shown and described.

DESCRIPTION

FIG. 1 is a front perspective view of a bluetooth headset showing my new design;

FIG. 2 is a front view of the bluetooth headset of FIG. 1;

FIG. 3 is a rear view of the bluetooth headset of FIG. 1;

FIG. 4 is a left-side view of the bluetooth headset of FIG. 1;

FIG. 5 is a right-side view of the bluetooth headset of FIG. 1;

FIG. 6 is a top plan view of the bluetooth headset of FIG. 1; and,

FIG. 7 is a bottom plan view of the bluetooth headset of FIG. 1.

1 Claim, 5 Drawing Sheets

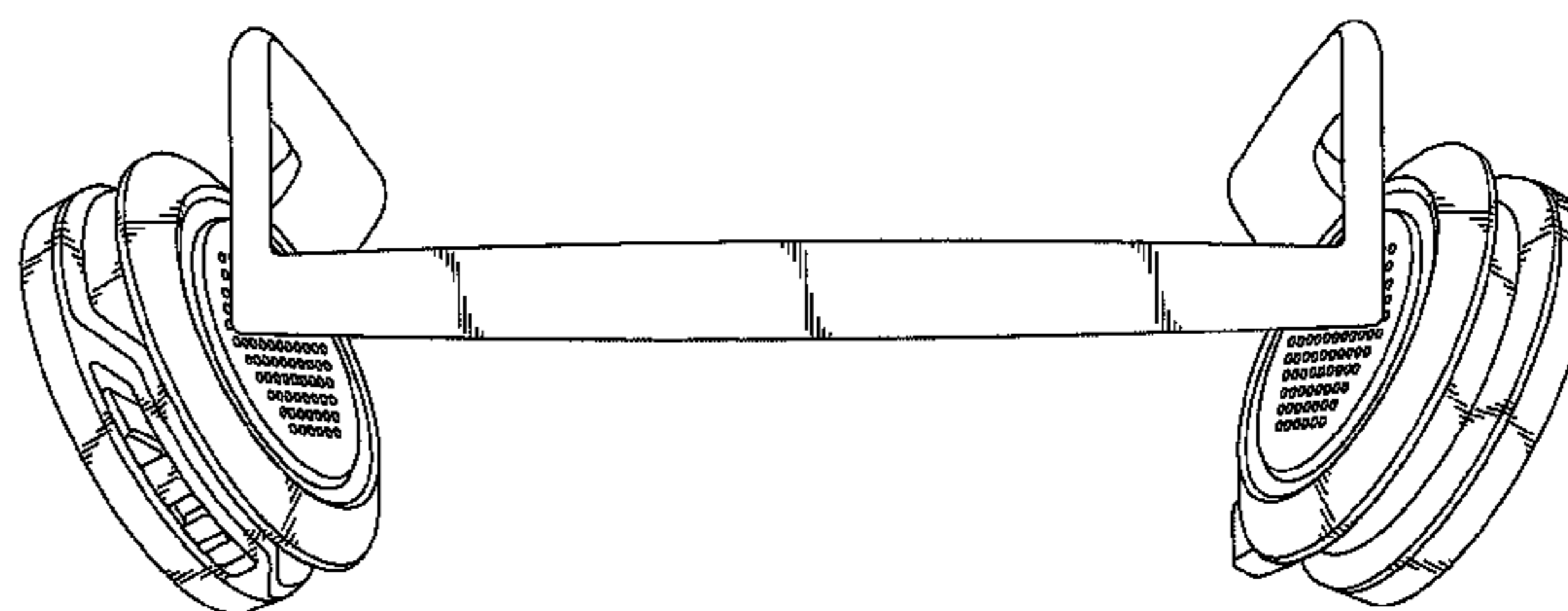
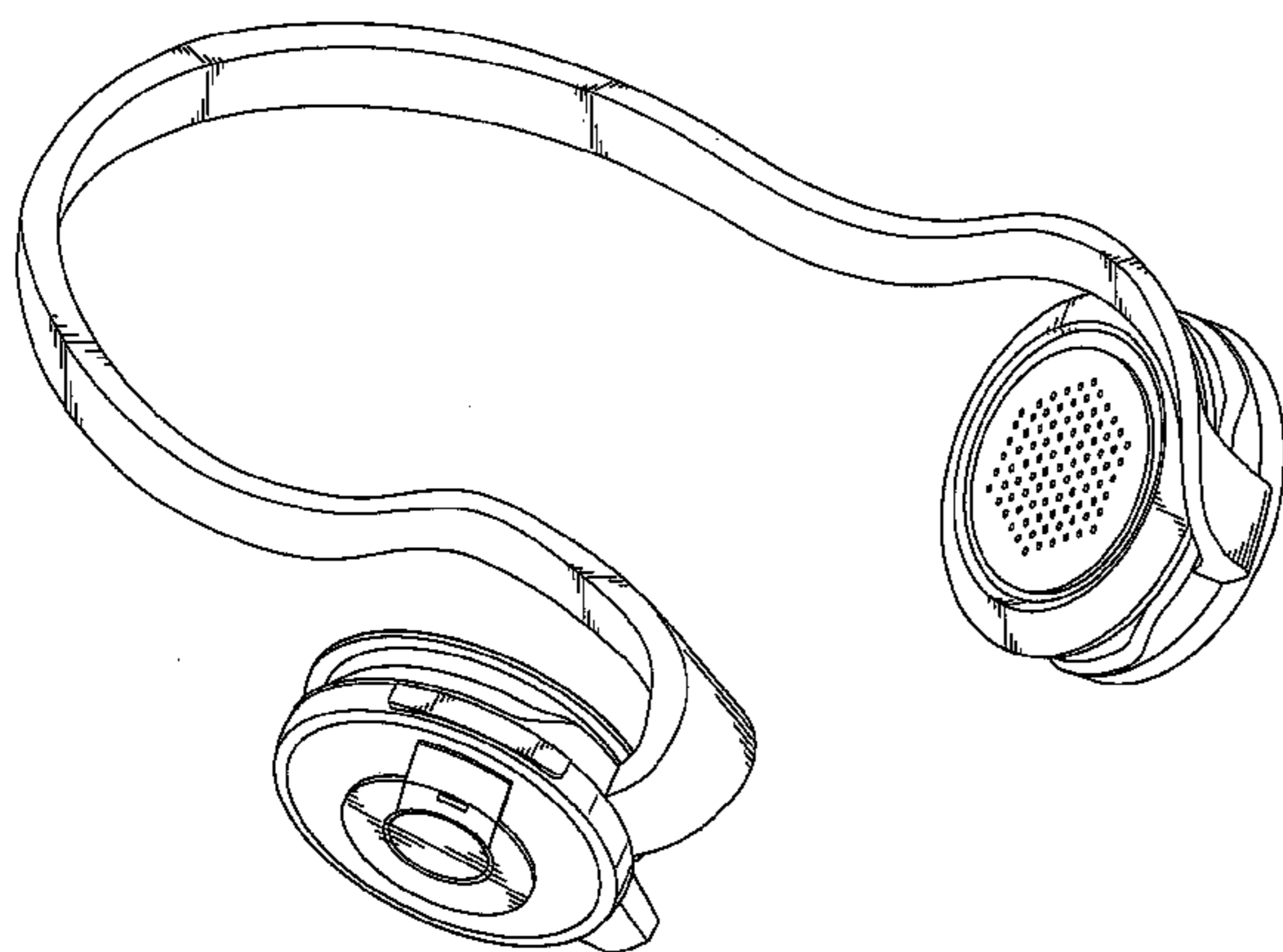


FIG. 1

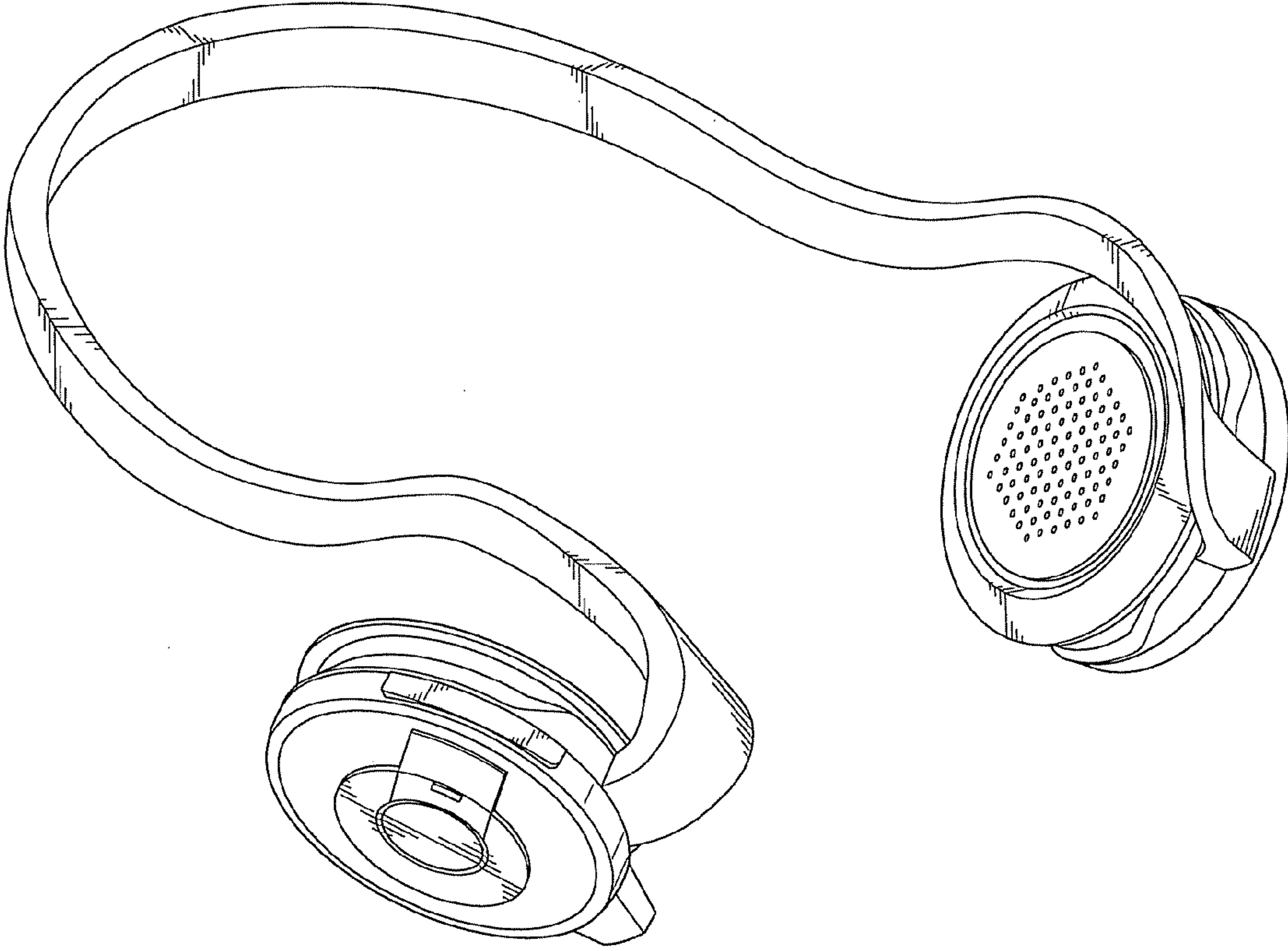


FIG. 2

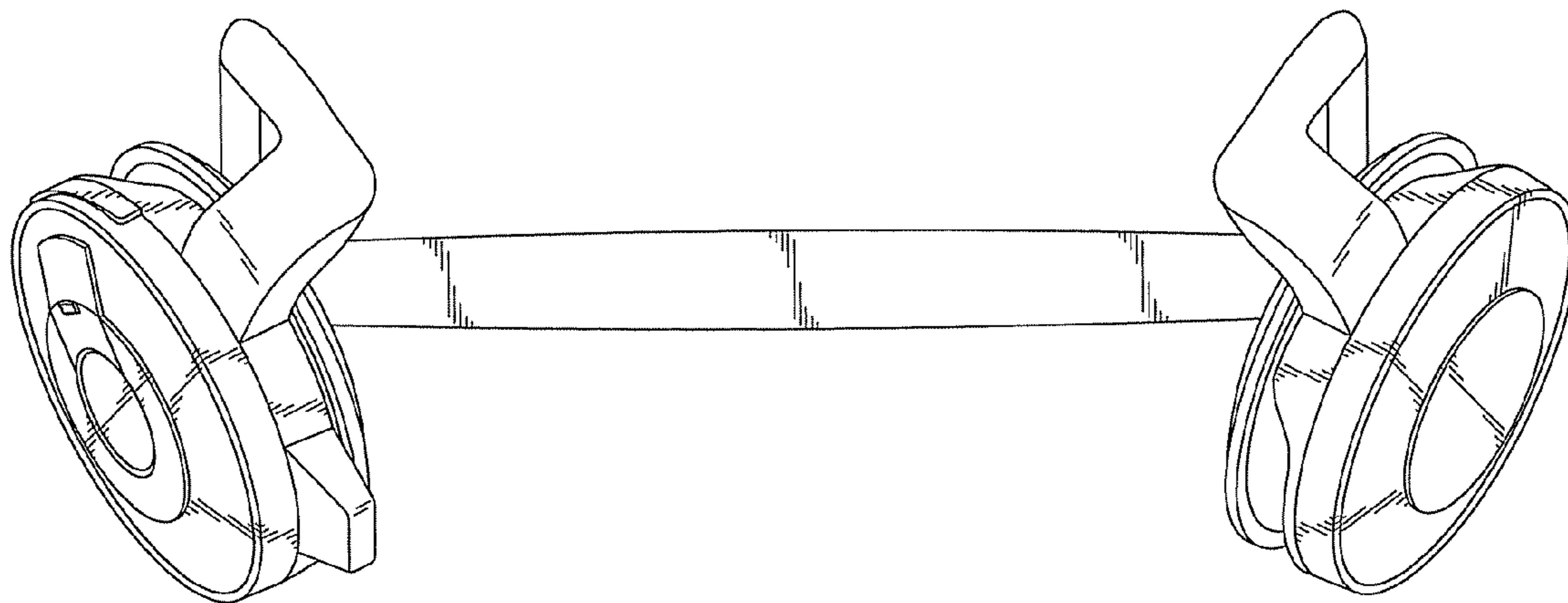


FIG. 3

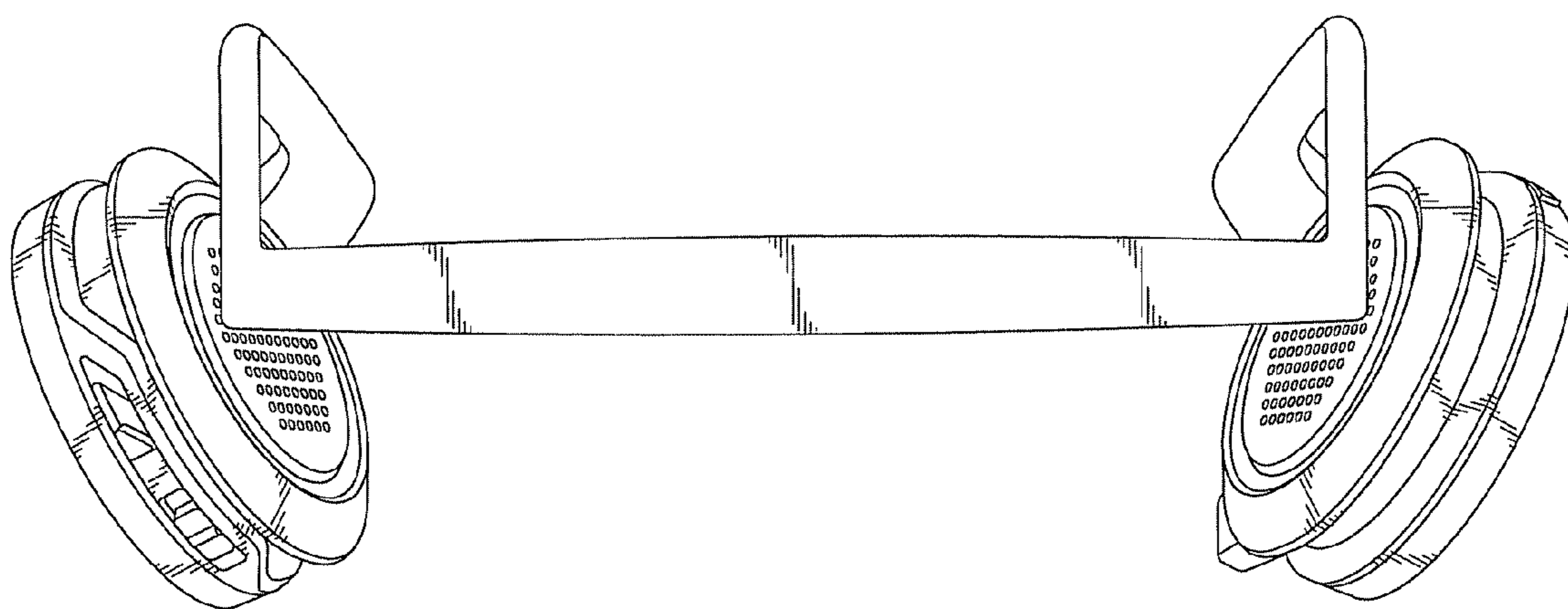


FIG. 4

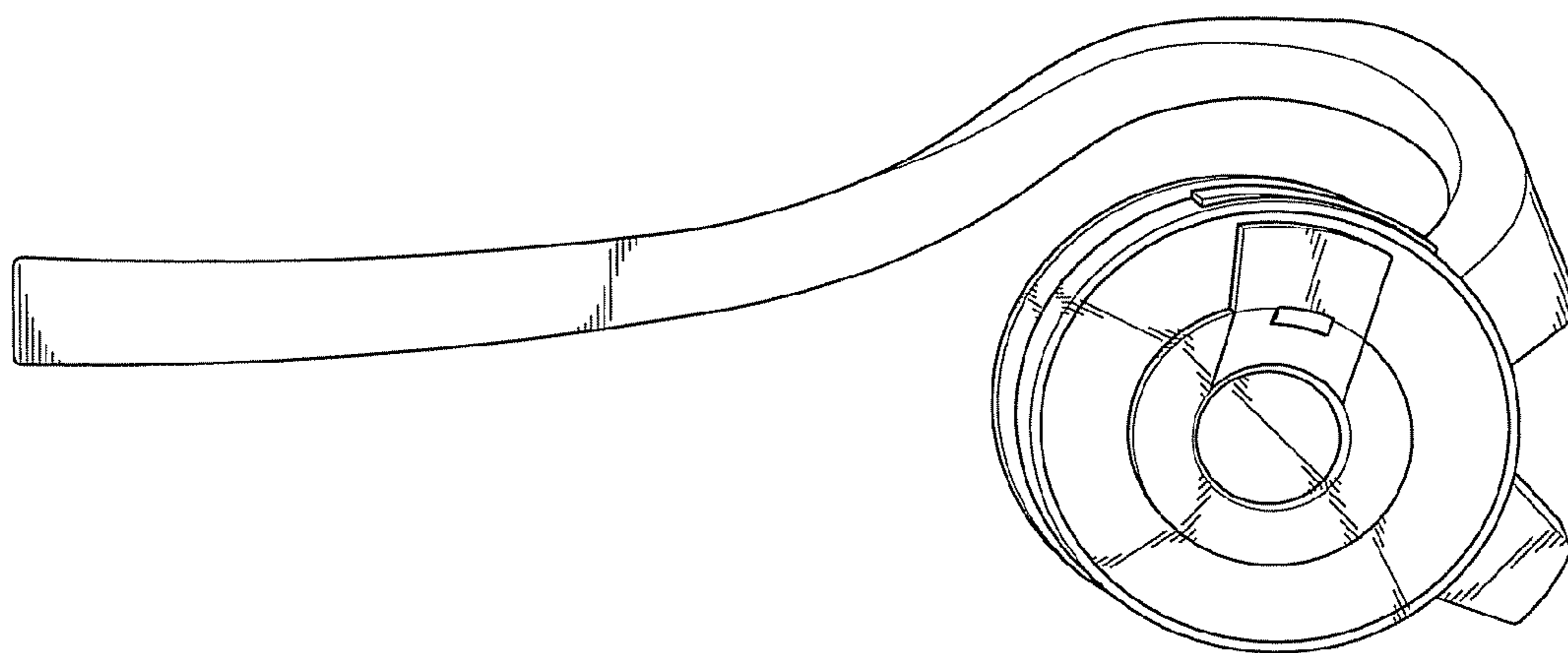


FIG. 5

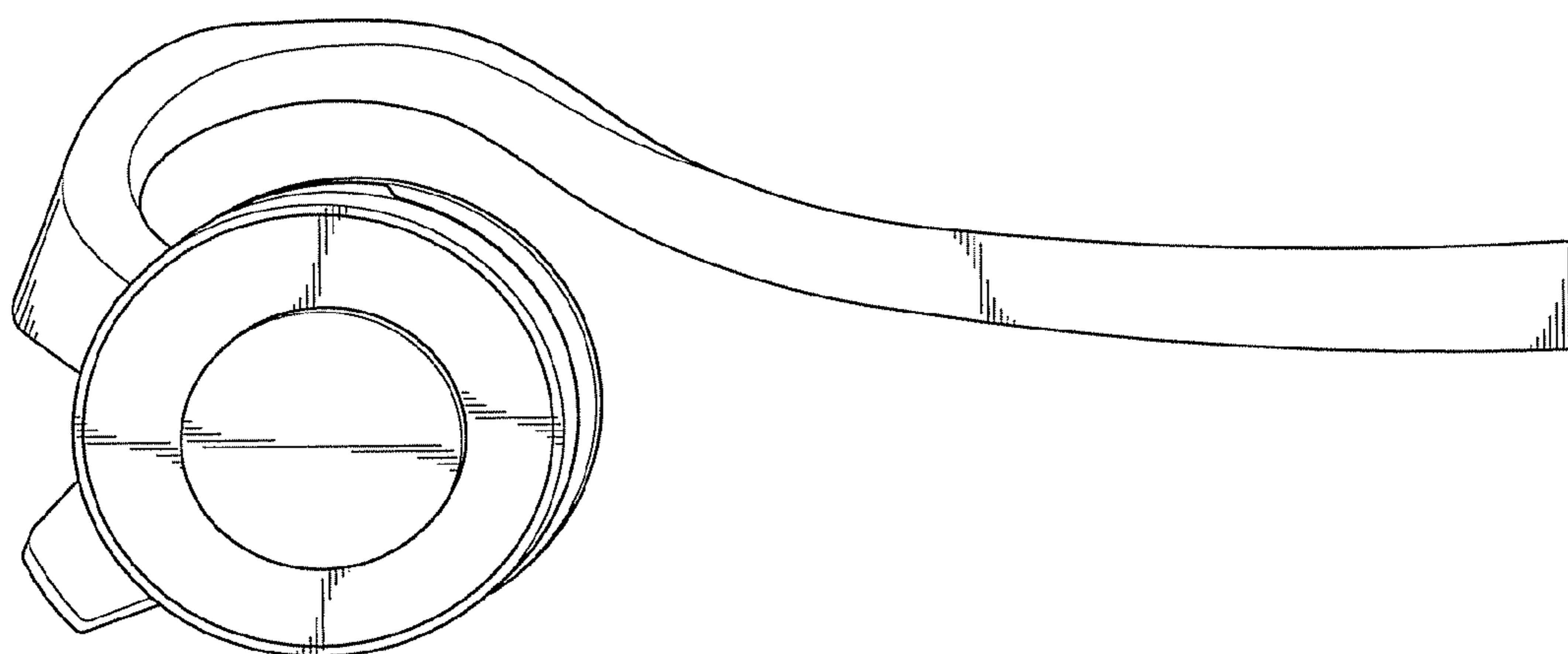


FIG. 6



FIG. 7

