

US00D592637S

(12) **United States Design Patent**
Zhang

(10) **Patent No.:** **US D592,637 S**

(45) **Date of Patent:** **** May 19, 2009**

(54) **PORTABLE DVD/DIGITAL MEDIA PLAYER**

D539,304 S 3/2007 Lee
D540,775 S 4/2007 Zhang
D540,815 S 4/2007 Zhang
D562,346 S 2/2008 Lee

(75) Inventor: **Yongde Zhang**, Guang Dong (CN)

(73) Assignee: **Coby Electronics Corporation**, Lake Success, NY (US)

(**) Term: **14 Years**

(21) Appl. No.: **29/304,998**

(22) Filed: **Mar. 11, 2008**

* cited by examiner

Primary Examiner—Nanda Bondade
(74) *Attorney, Agent, or Firm*—Mayer Brown LLP

Related U.S. Application Data

(62) Division of application No. 29/250,600, filed on Nov. 22, 2006, now Pat. No. Des. 567,818.

(51) **LOC (9) Cl.** **14-01**

(52) **U.S. Cl.** **D14/203.6; D14/203.8**

(58) **Field of Classification Search** D14/135–136, D14/156, 167–168, 217, 496, 401; 345/156, 345/168, 173–179, 905, 169; 455/11.1, 7, 455/73, 344–351, 93–95; 370/342–344; 369/1, 2, 6, 12; 463/43–47; 273/48 B
See application file for complete search history.

(56) **References Cited**

U.S. PATENT DOCUMENTS

| | | | | |
|----------------|---------|--------------|-------|---------|
| D430,169 S * | 8/2000 | Scibora | | D14/496 |
| D446,203 S * | 8/2001 | Arpe | | D14/156 |
| D455,793 S * | 4/2002 | Lin | | D14/496 |
| D478,887 S * | 8/2003 | Jerome | | D14/156 |
| D480,376 S | 10/2003 | Ma | | |
| 6,711,005 B2 | 3/2004 | Martin | | |
| D489,322 S | 5/2004 | Sawai et al. | | |
| 6,825,832 B2 * | 11/2004 | Chung et al. | | 345/168 |
| 6,926,130 B2 | 8/2005 | Skowronski | | |
| D514,122 S * | 1/2006 | Rodarte | | D14/136 |
| D523,847 S | 6/2006 | Naruki | | |
| D532,402 S | 11/2006 | Lee | | |
| D532,403 S | 11/2006 | Lee | | |
| D532,404 S | 11/2006 | Lee | | |
| D532,768 S | 11/2006 | Lee | | |

(57) **CLAIM**

The ornamental design of a portable DVD/digital media player, as shown and described.

DESCRIPTION

A portion of this patent document contains material which is subject to copyright protection. The copyright owner has no objection to the facsimile reproduction by anyone of the patent document or the patent disclosure, as it appears in the Patent and Trademark Office patent files or records, but otherwise reserves all copyrights whatsoever.

FIG. 1 is a perspective view of a portable DVD/digital media player showing my new design;

FIG. 2 is a front view thereof;

FIG. 3 is a rear view thereof;

FIG. 4 is a left side view thereof;

FIG. 5 is a right side view thereof;

FIG. 6 is a top view thereof;

FIG. 7 is a bottom view thereof;

FIG. 8 is a right side view thereof, in an alternate position;

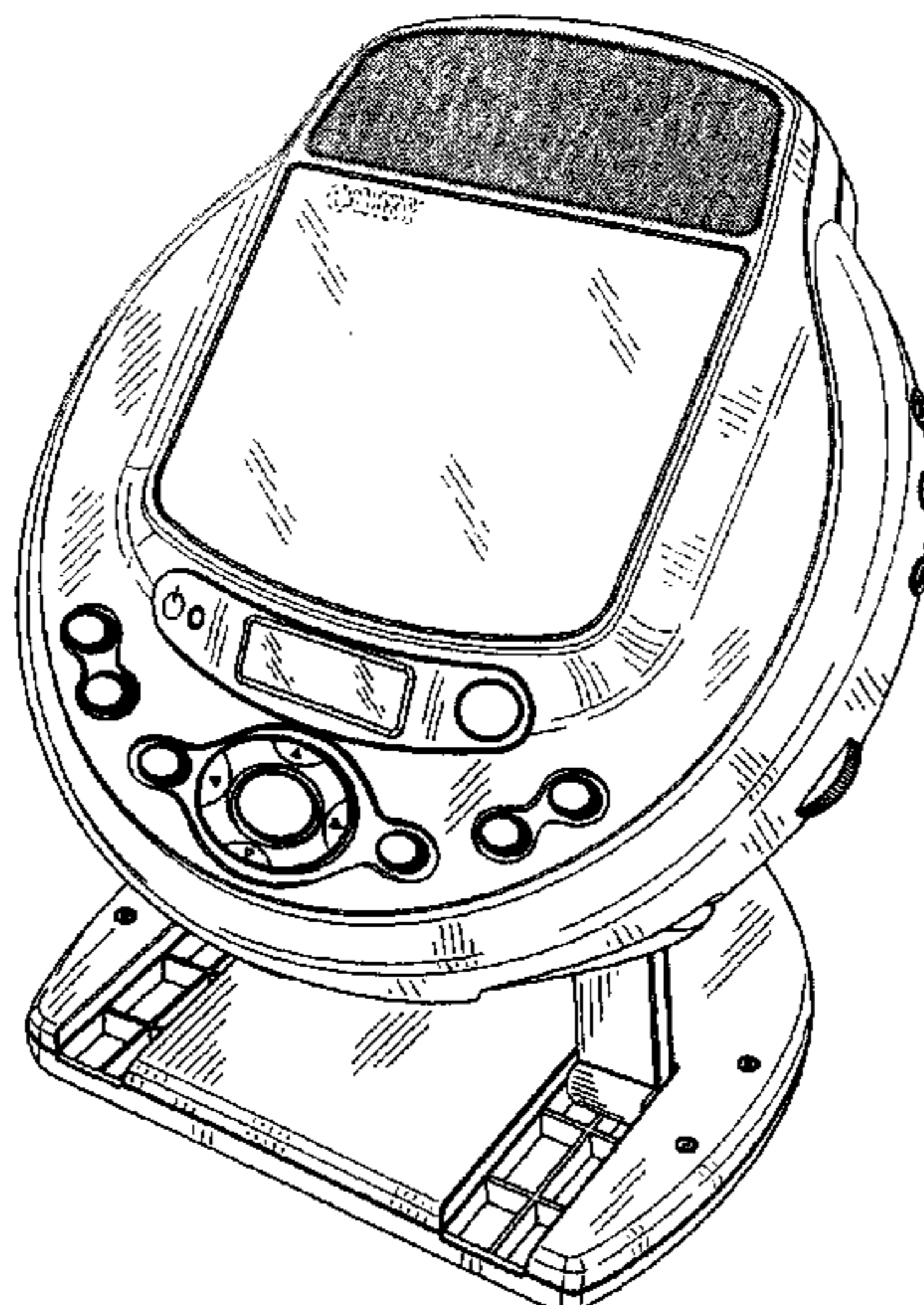
FIG. 9 is a left side view of FIG. 8;

FIG. 10 is a left side view thereof, in another alternate position; and,

FIG. 11 is a right side view of FIG. 10.

The Broken line showings throughout the views are for illustrative purposes only and form no part of the claimed design.

1 Claim, 11 Drawing Sheets



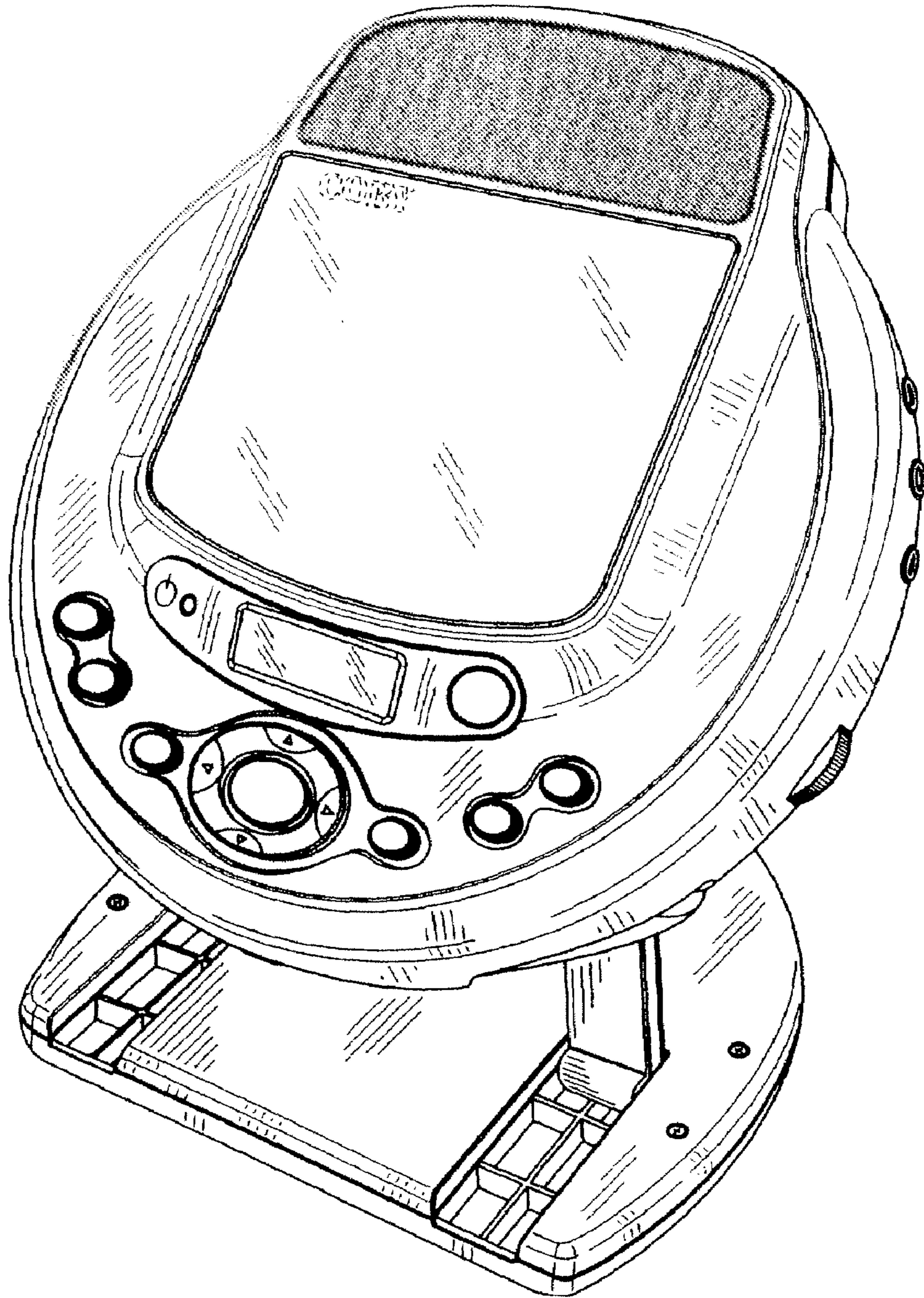


FIG. 1

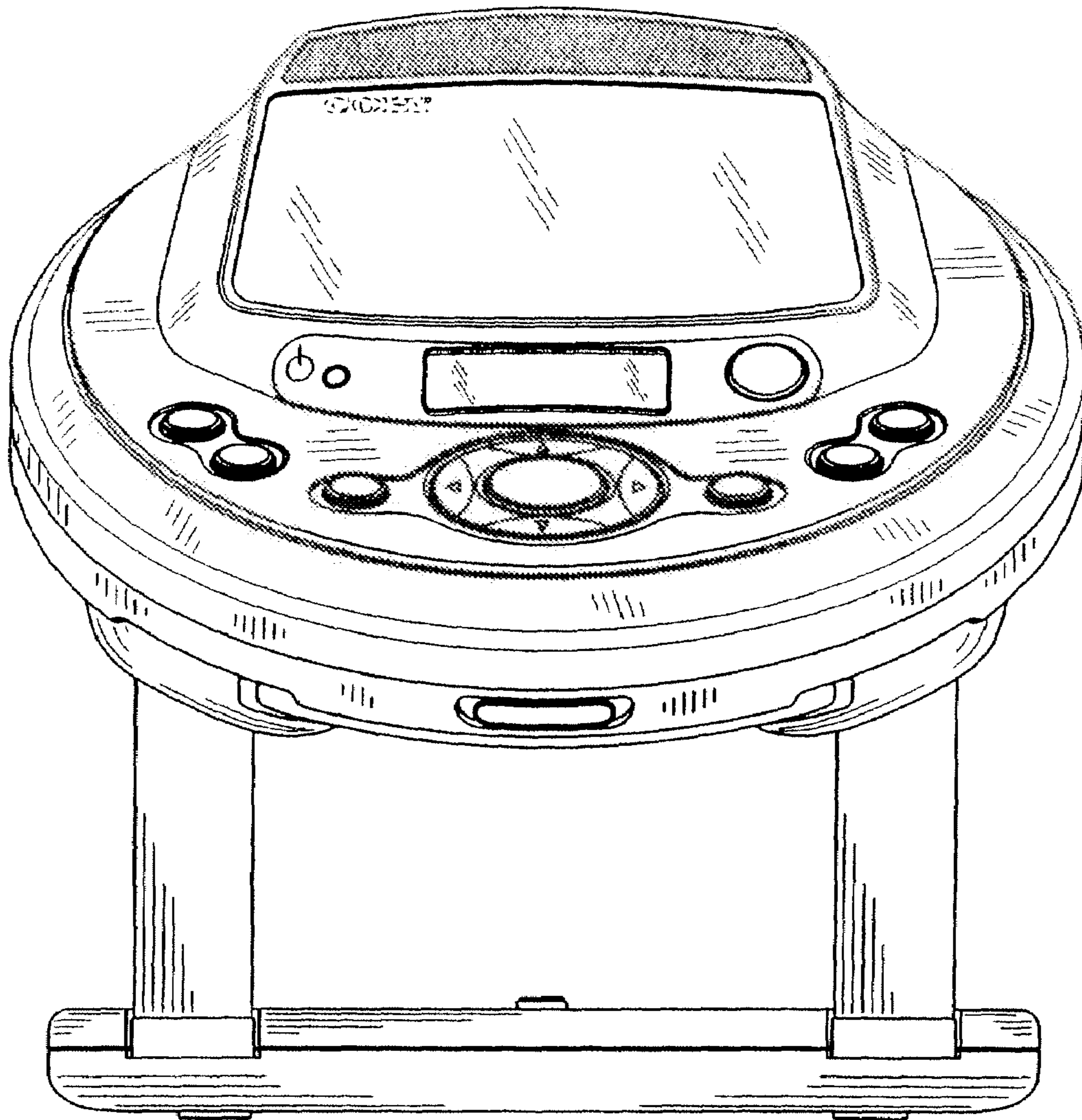


FIG. 2

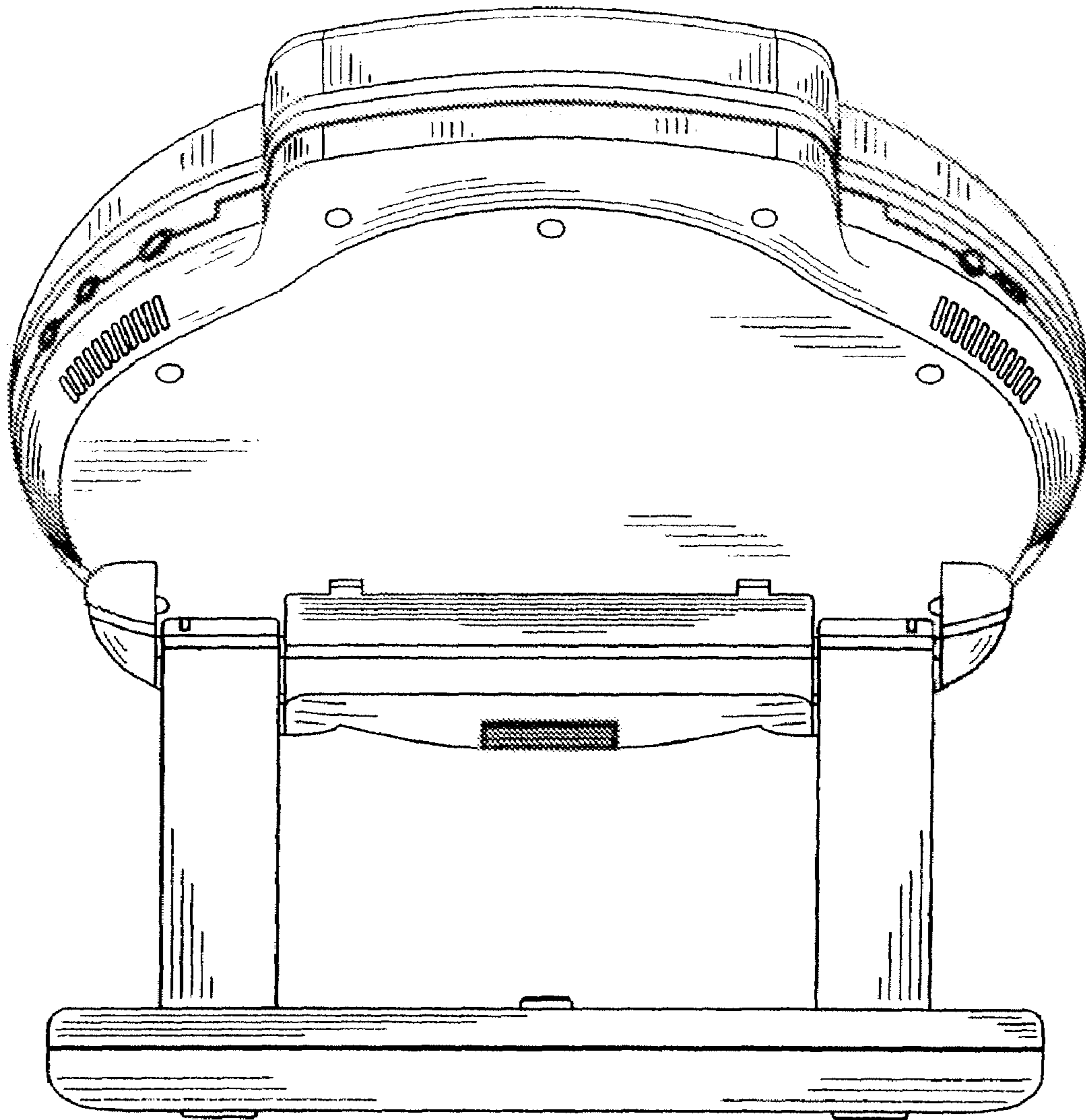


FIG. 3

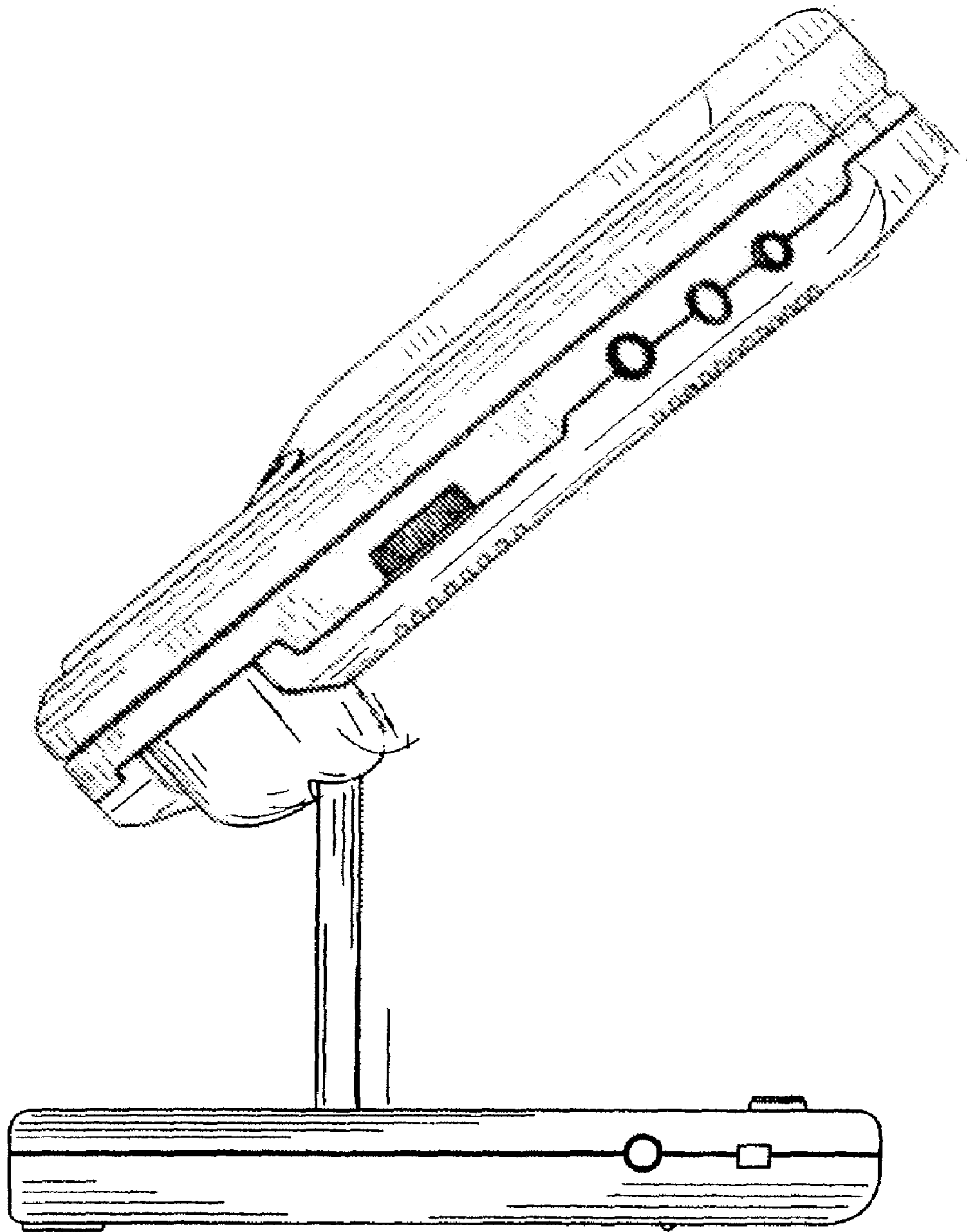


FIG. 4

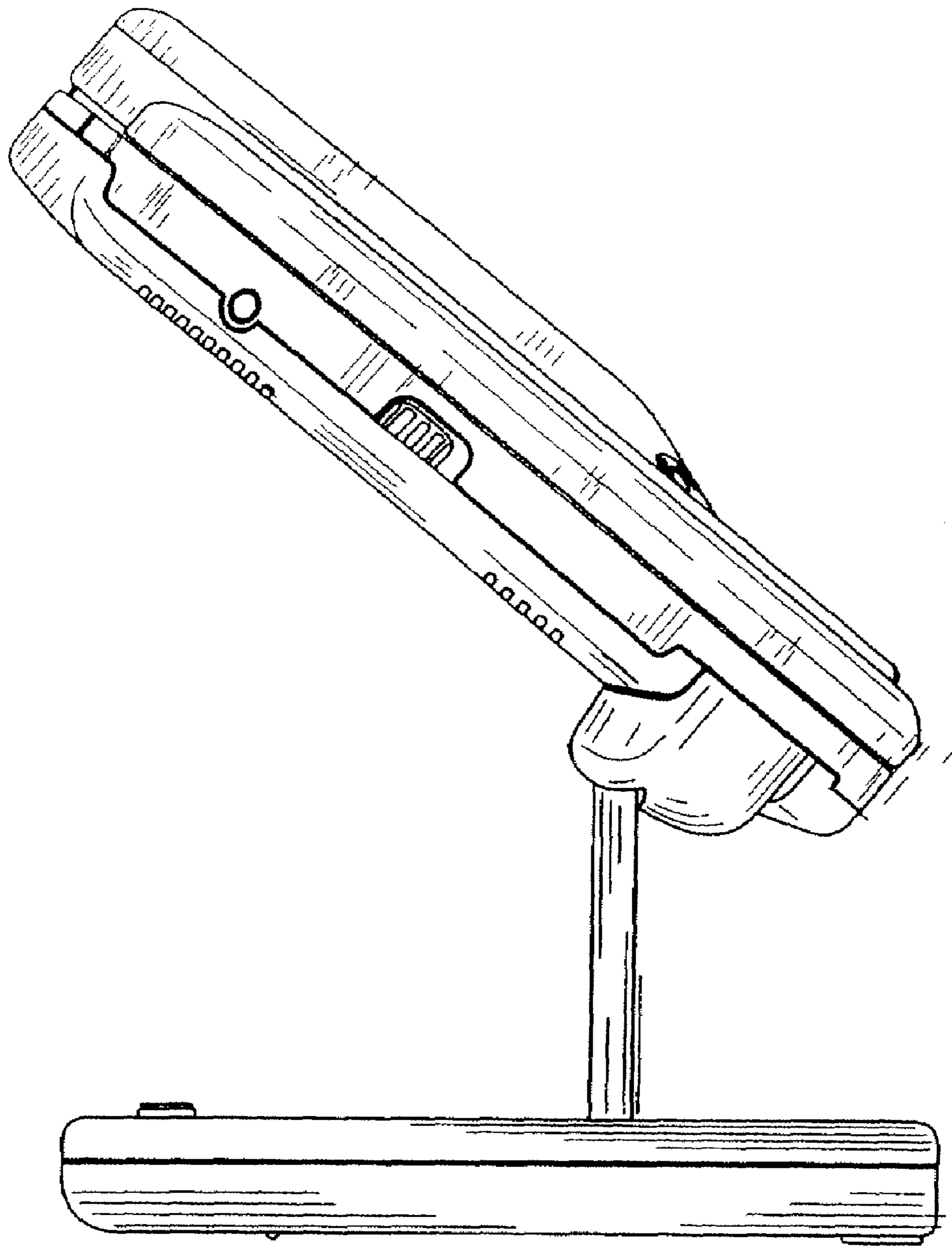


FIG. 5

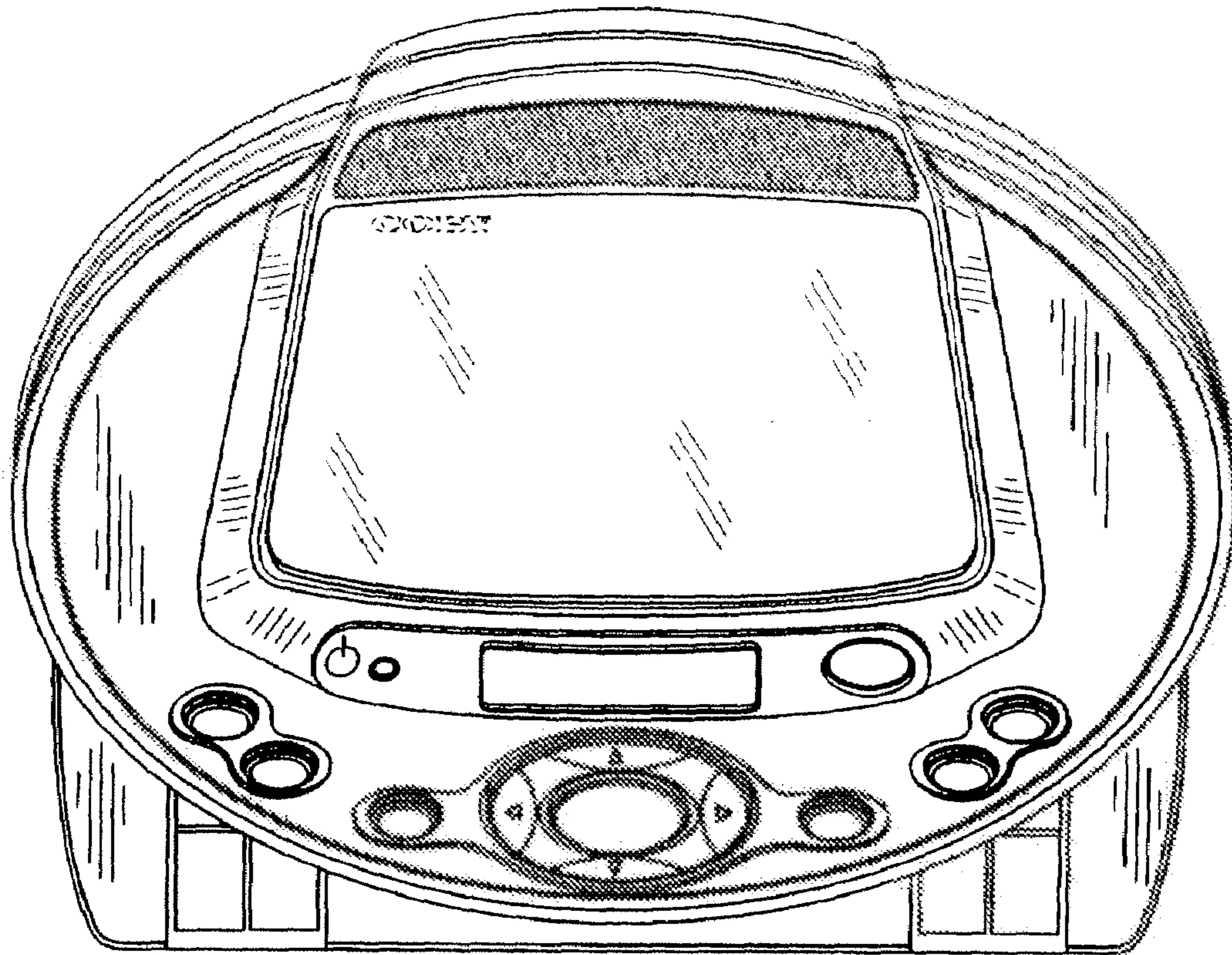


FIG. 6

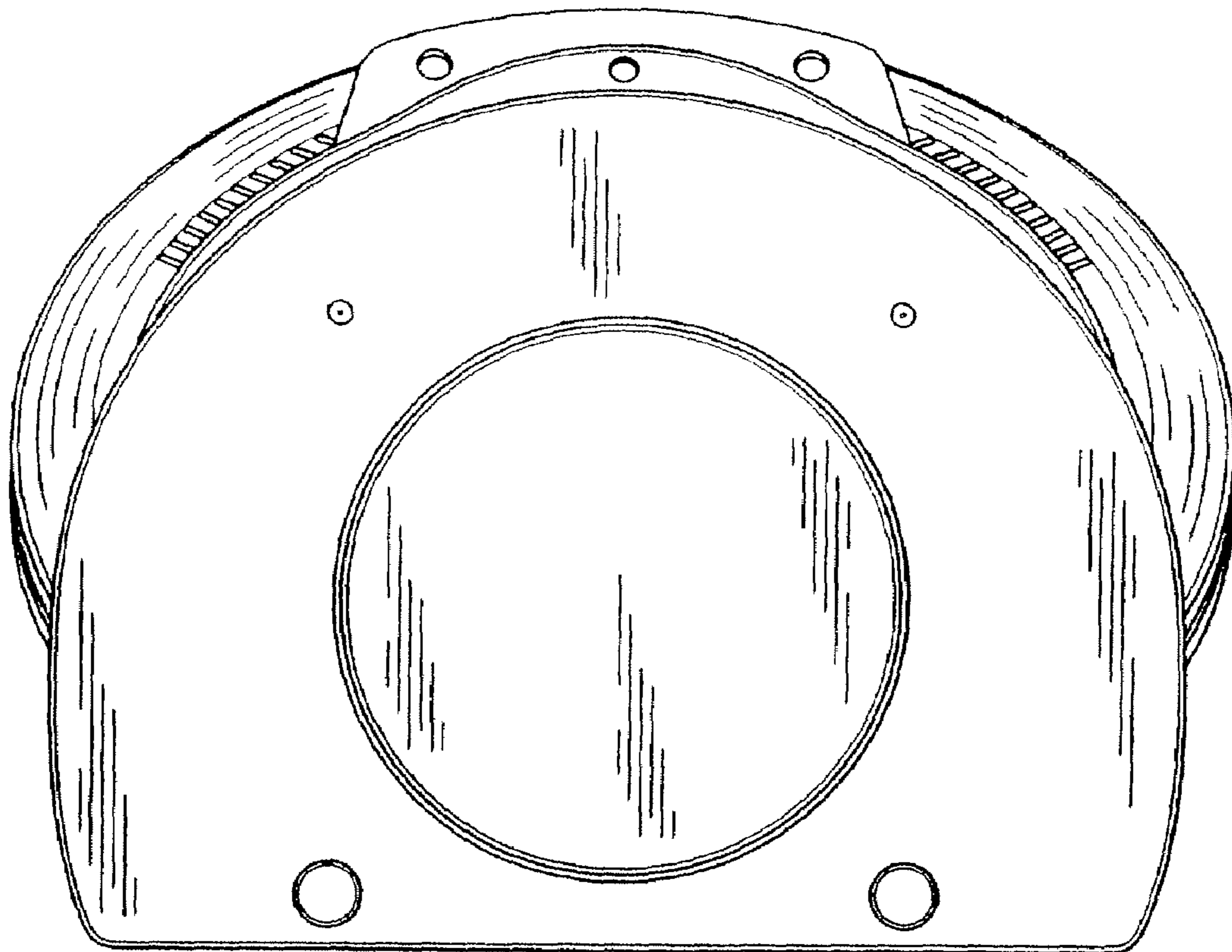


FIG. 7

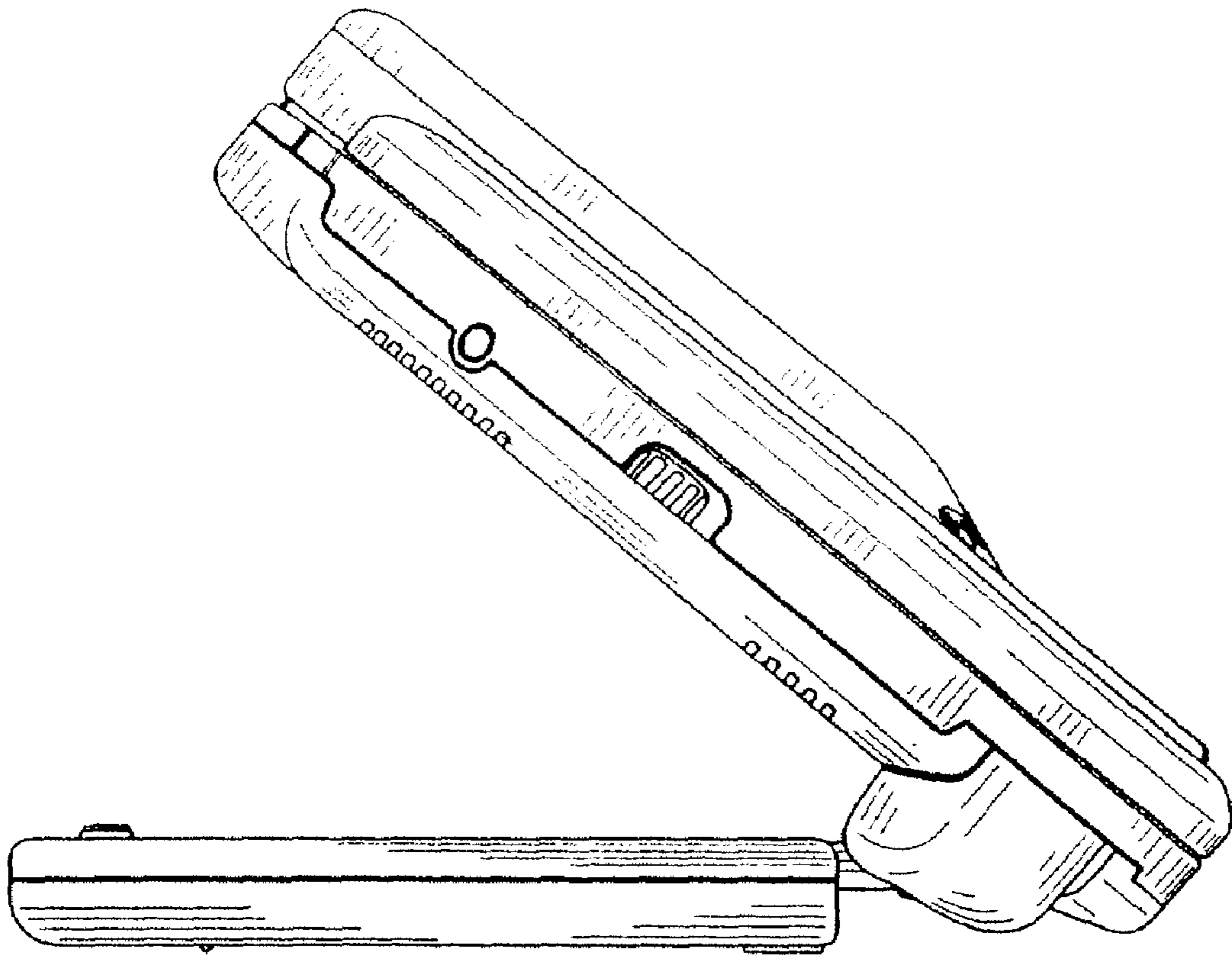


FIG. 8

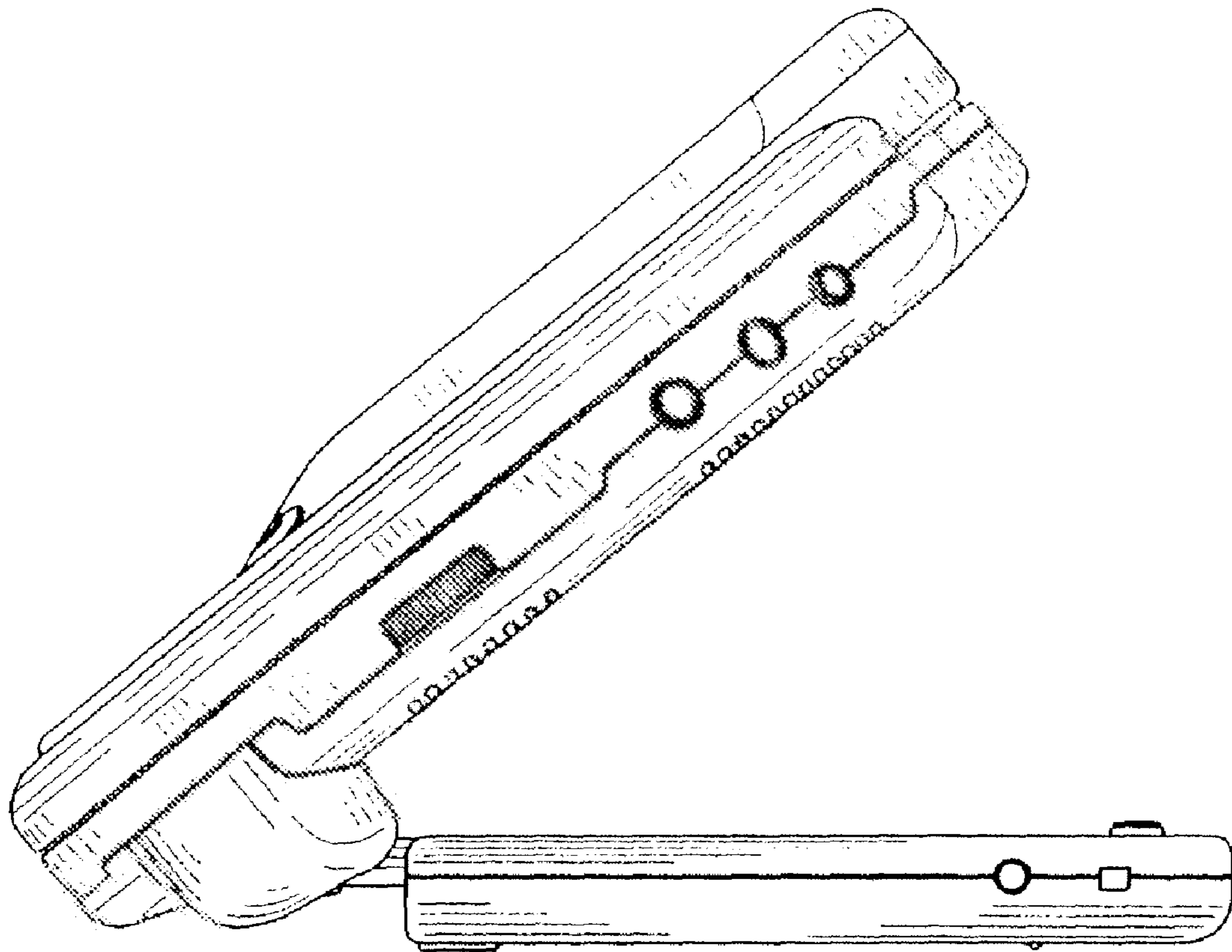


FIG. 9

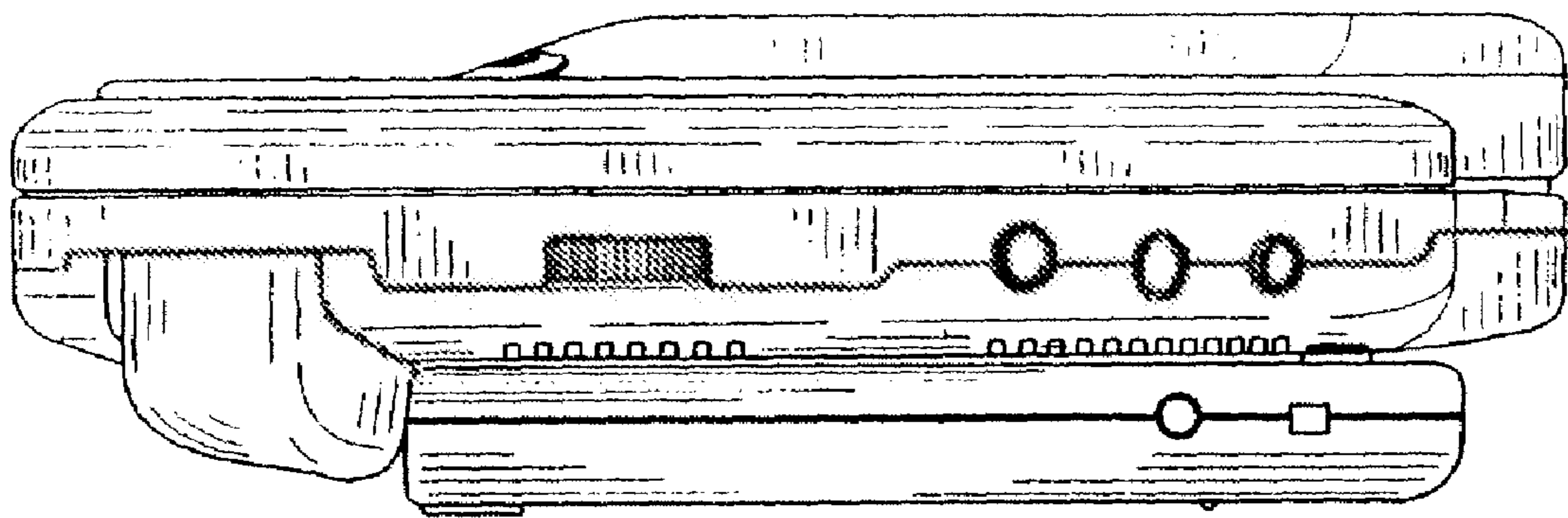


FIG. 10

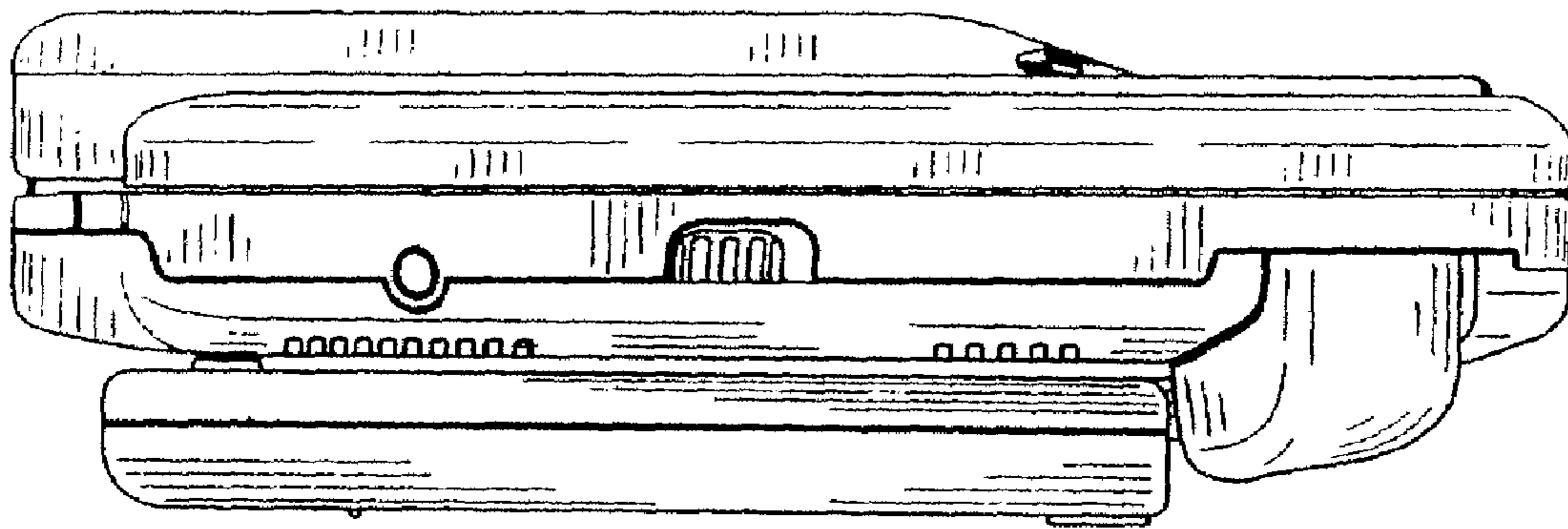


FIG. 11