



US00D592636S

(12) **United States Design Patent**
Shiono

(10) **Patent No.:** **US D592,636 S**

(45) **Date of Patent:** **** May 19, 2009**

(54) **AMPLIFIER**

(75) **Inventor:** **Daisuke Shiono**, Tokyo (JP)

(73) **Assignee:** **Sony Corporation**, Tokyo (JP)

(**) **Term:** **14 Years**

(21) **Appl. No.:** **29/290,792**

(22) **Filed:** **Jan. 15, 2008**

(30) **Foreign Application Priority Data**

Jul. 27, 2007 (CN) 2007 3 0150196

(51) **LOC (9) Cl.** **14-03**

(52) **U.S. Cl.** **D14/188**

(58) **Field of Classification Search** D14/168,
D14/169, 179, 188, 194-198, 215, 217, 257,
D14/265, 299, 496; 330/1 R, 3 R, 250; 381/86,
381/120; 455/344-351

See application file for complete search history.

(56) **References Cited**

U.S. PATENT DOCUMENTS

- D343,838 S * 2/1994 Frank et al. D14/198
- D409,612 S * 5/1999 McCann D14/188
- D419,156 S * 1/2000 Yamazaki D14/188
- D449,288 S * 10/2001 Sogabe D14/188
- D500,488 S 1/2005 Uehara et al.
- D513,507 S * 1/2006 Tsuge D14/156

- D548,722 S 8/2007 Suzuki
- D548,723 S * 8/2007 Mizokawa D14/188
- D571,352 S * 6/2008 Yamamoto et al. D14/188
- D571,781 S * 6/2008 Yamamoto et al. D14/188

* cited by examiner

Primary Examiner—Stella M Reid

Assistant Examiner—Keli L Hill

(74) *Attorney, Agent, or Firm*—Rader, Fishman & Grauer, PLLC

(57) **CLAIM**

The ornamental design for an amplifier, as shown and described.

DESCRIPTION

FIG. 1 is a perspective view of an amplifier, embodying my new design;

FIG. 2 is a front elevation view thereof;

FIG. 3 is a left side elevation view thereof;

FIG. 4 is a right side elevation view thereof;

FIG. 5 is a top plan view thereof; and,

FIG. 6 is a bottom plan view thereof.

Portions of the figures that are shown as broken lines are for illustrative purpose only and form no part of the claimed design.

1 Claim, 6 Drawing Sheets

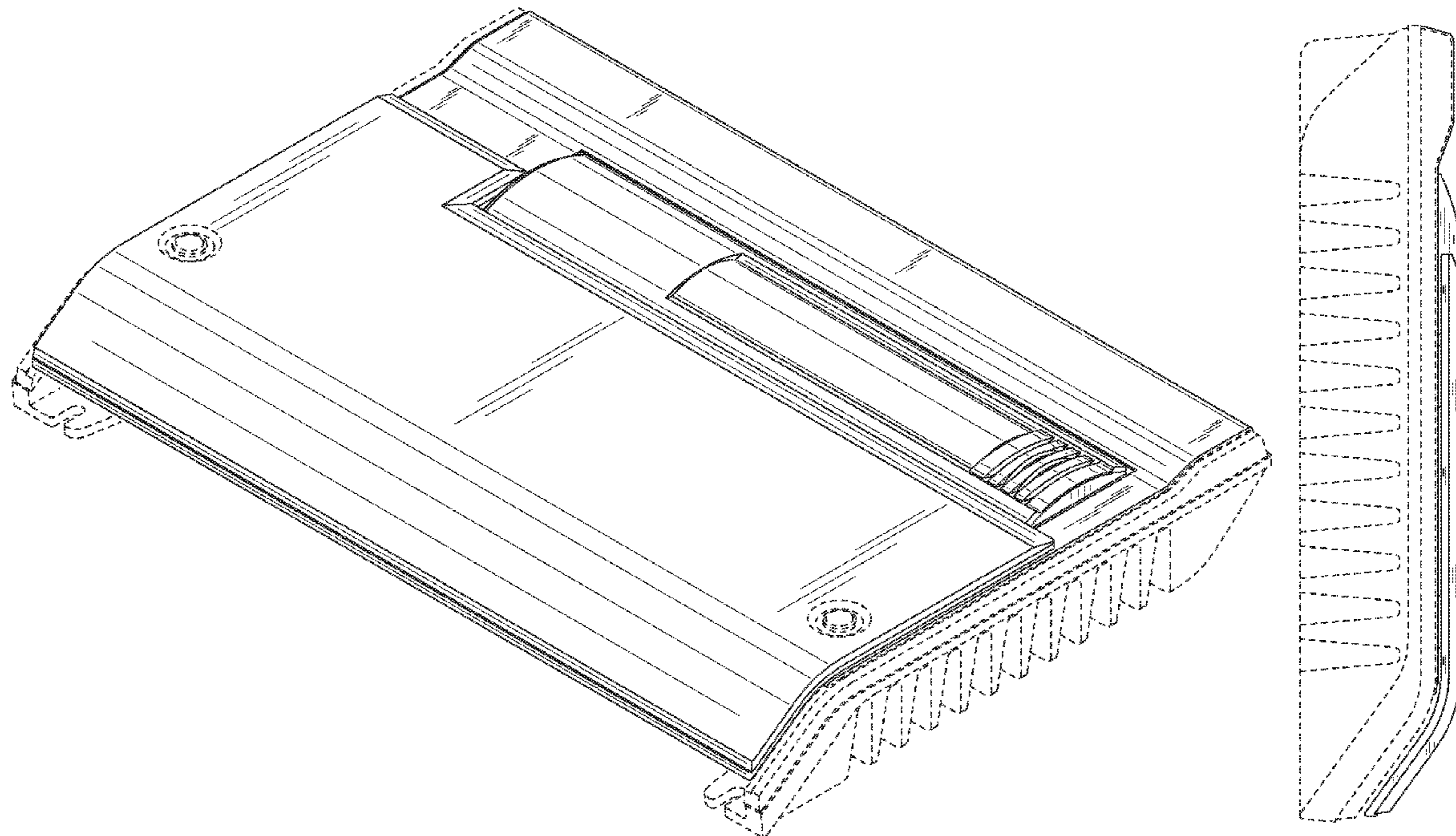


FIG.1

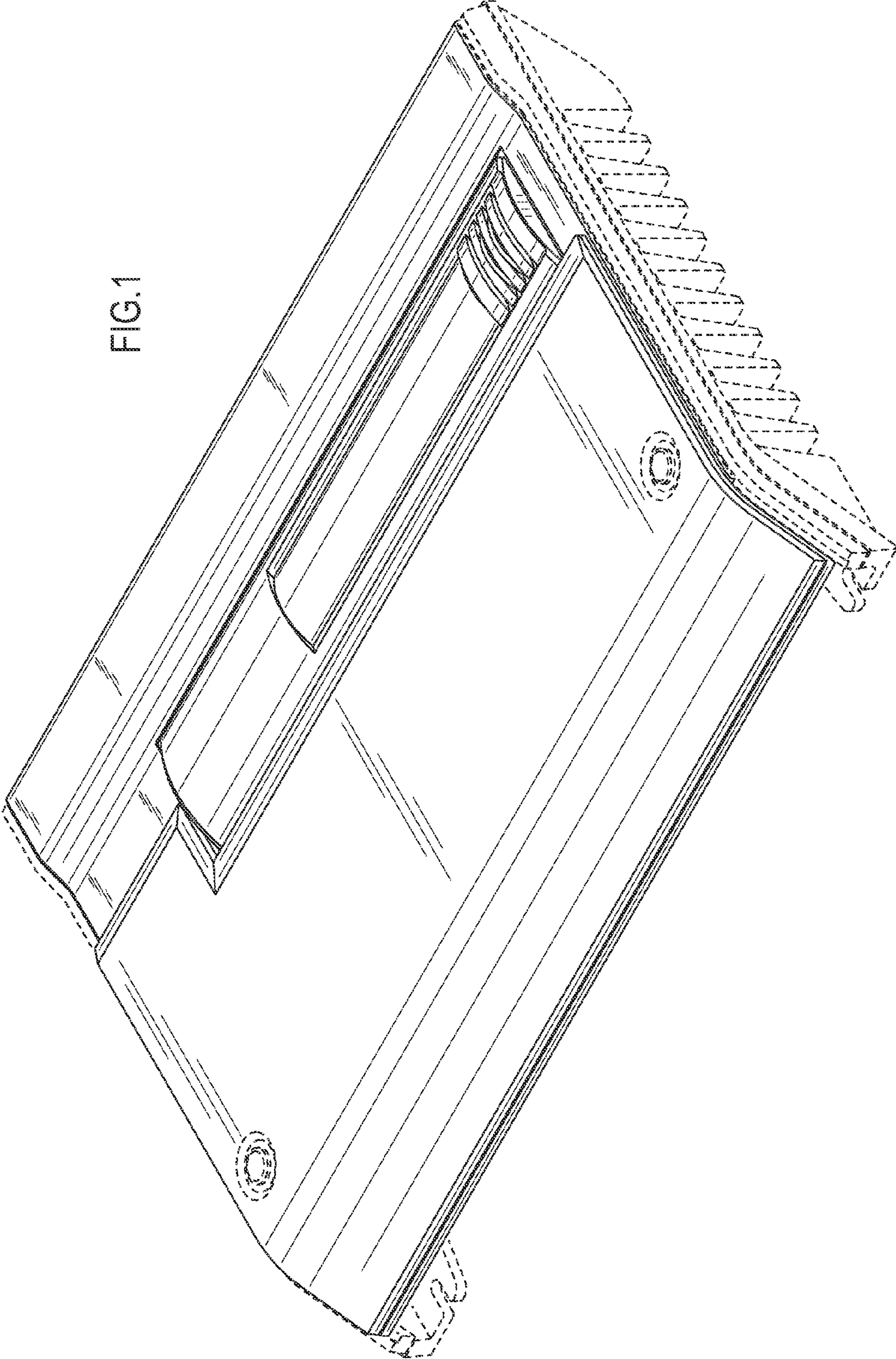
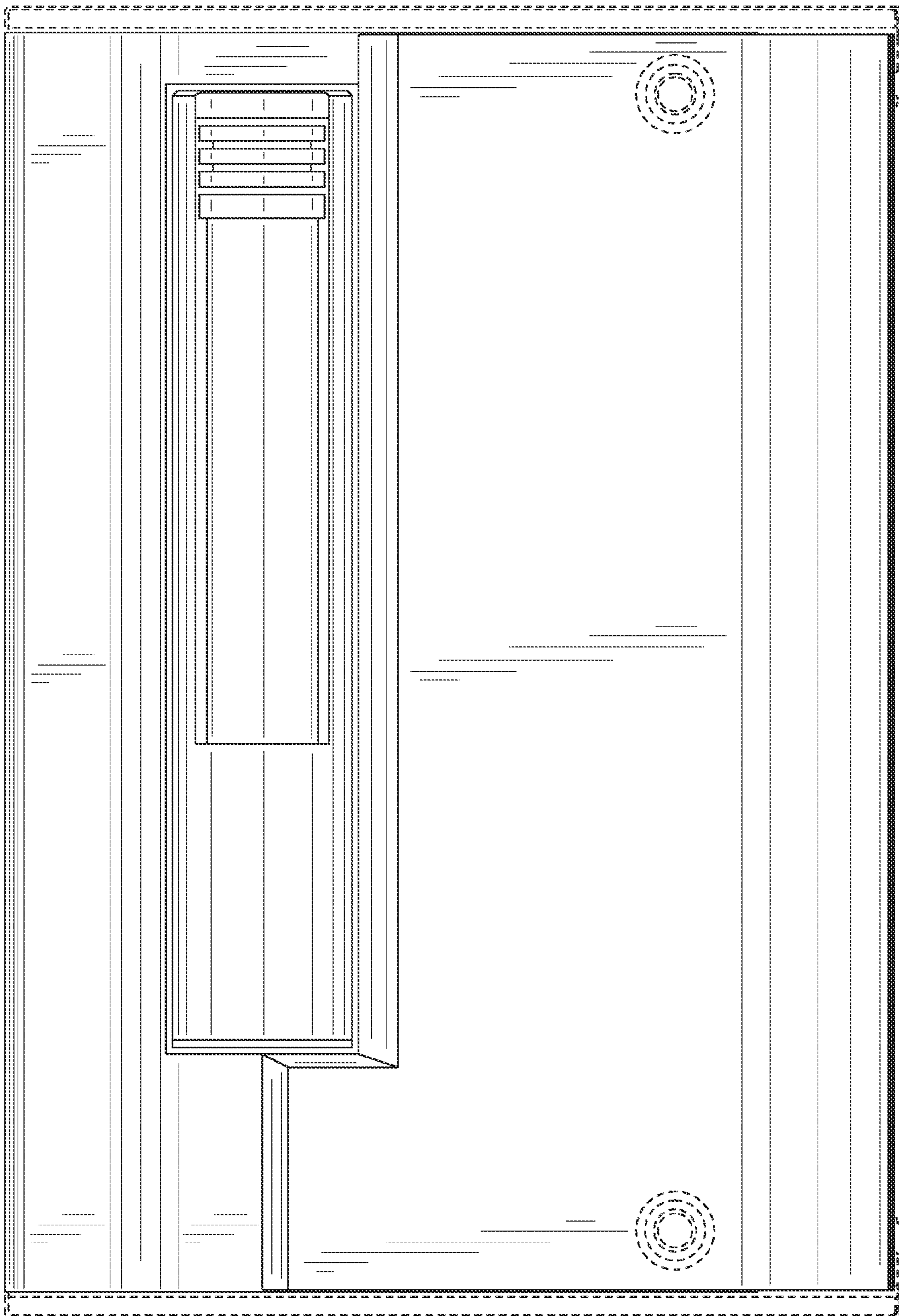


FIG.2



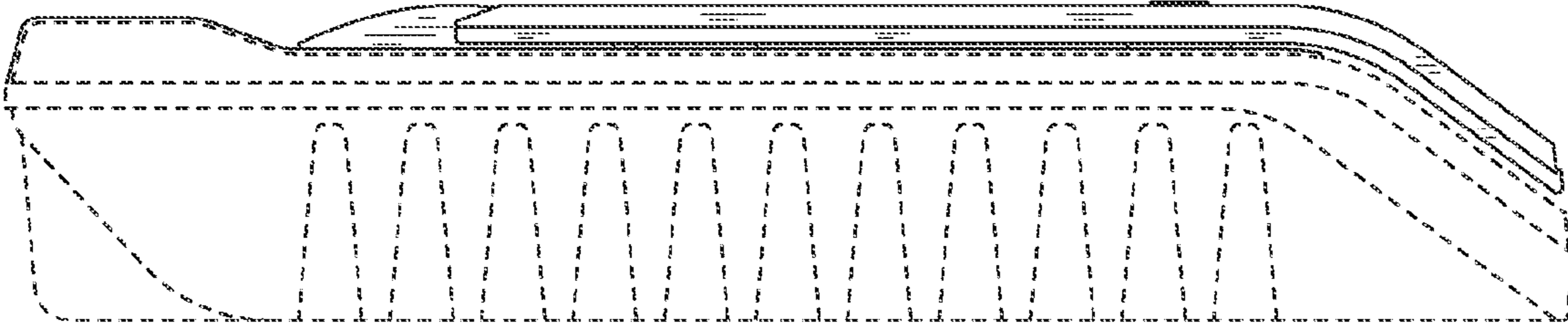


FIG. 3

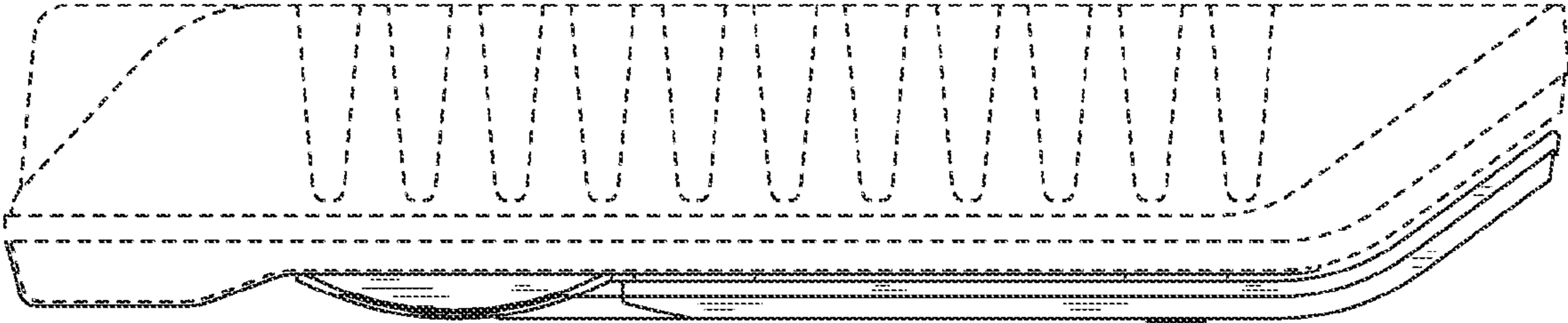


FIG.4

FIG. 5

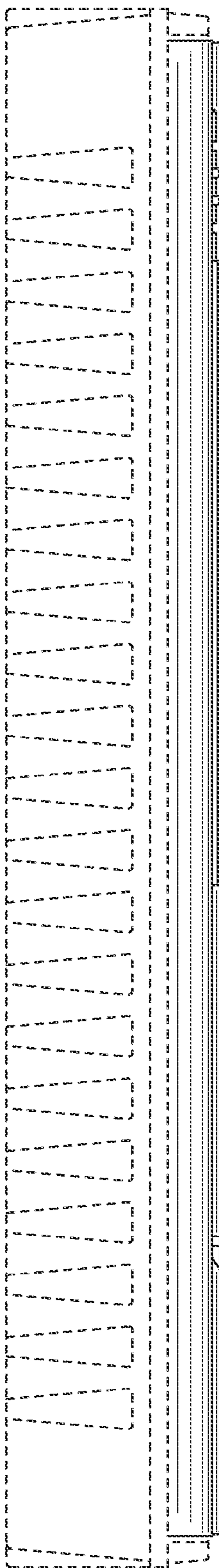


FIG.6

