



US00D592633S

(12) **United States Design Patent**
Hynecek et al.

(10) **Patent No.:** **US D592,633 S**

(45) **Date of Patent:** **** May 19, 2009**

(54) **FM TRANSMITTER**

(75) Inventors: **Bryan Hynecek**, Redwood City, CA (US); **Stephen R. Myers**, Redwood City, CA (US)

(73) Assignee: **Monster Cable Products, Inc.**, Brisbane, CA (US)

(**) Term: **14 Years**

(21) Appl. No.: **29/323,658**

(22) Filed: **Aug. 28, 2008**

(51) **LOC (9) Cl.** **14-03**

(52) **U.S. Cl.** **D14/155**

(58) **Field of Classification Search** D14/358, D14/299, 248, 240, 218, 191, 188, 162, 155, D14/137, 226; D13/168, 110, 144, 107, D13/108; D10/121, 104, 106; 343/711, 343/713; 381/76, 80, 86; 455/119, 121; D15/139; D8/70

See application file for complete search history.

(56) **References Cited**

U.S. PATENT DOCUMENTS

D212,006 S *	8/1968	Roberts	D14/155
D243,537 S *	3/1977	Wahl	D14/155
D273,077 S *	3/1984	Bell	D8/70
4,462,728 A *	7/1984	Sturgis	408/241 R
D317,292 S *	6/1991	Brisson	D13/133
D329,223 S *	9/1992	Lee	D13/133
D331,927 S *	12/1992	Birri	D14/155
D416,267 S *	11/1999	Reilly	D15/139
D442,932 S *	5/2001	Koike	D14/155
D461,176 S *	8/2002	Siokola	D14/155
D519,933 S *	5/2006	Suckle et al.	D13/155
D534,149 S *	12/2006	Griffin	D14/155

D556,146 S * 11/2007 Victor D13/154
2006/0122640 A1 * 6/2006 Gordon et al. 606/180

* cited by examiner

Primary Examiner—Cathron C Brooks

Assistant Examiner—Austin Murphy

(74) *Attorney, Agent, or Firm*—LaRiviere, Grubman & Payne, LLP

(57) **CLAIM**

The ornamental design for a FM transmitter, as shown and described in the accompanying drawings.

DESCRIPTION

A portion of the disclosure of this patent document contains material which is subject to copyright protection. The copyright owner has no objection to the facsimile reproduction by any one of the patent document or the patent disclosure, as it appears in the Patent and Trademark Office patent file or records, but otherwise reserves all copyright rights whatsoever.

FIG. 1 is a perspective view of a FM transmitter, in accordance with the present invention.

FIG. 2 is a front view thereof;

FIG. 3 is a rear view thereof;

FIG. 4 is a side view thereof;

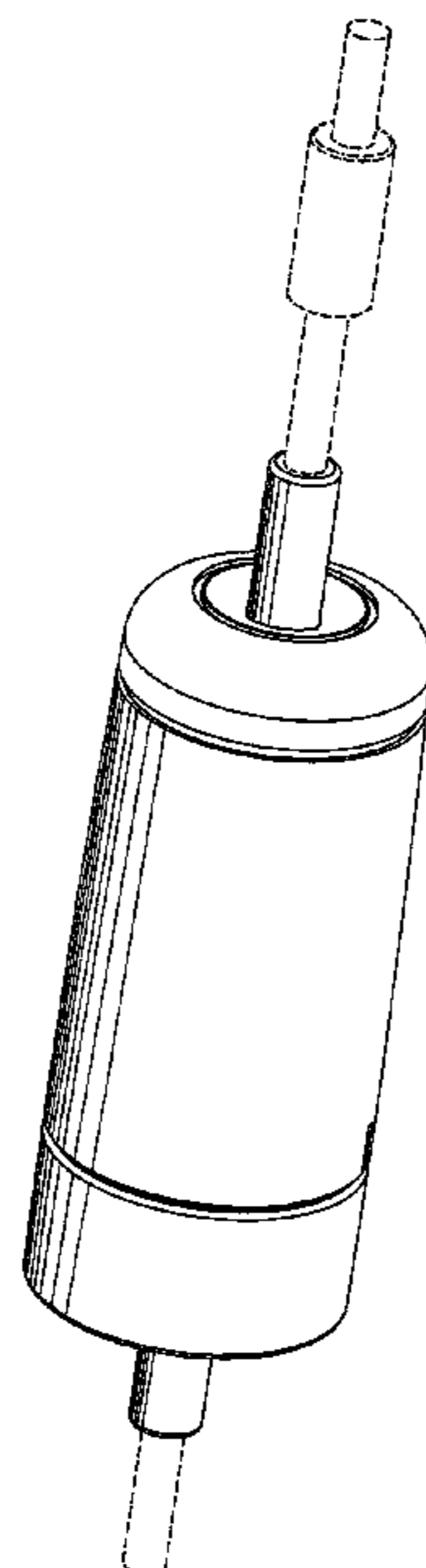
FIG. 5 is an opposing side view thereof;

FIG. 6 is a top view thereof; and,

FIG. 7 is a bottom view thereof.

The broken lines showing the environment in the Figures are for illustrative purposes only and form no part of the claimed design.

1 Claim, 4 Drawing Sheets



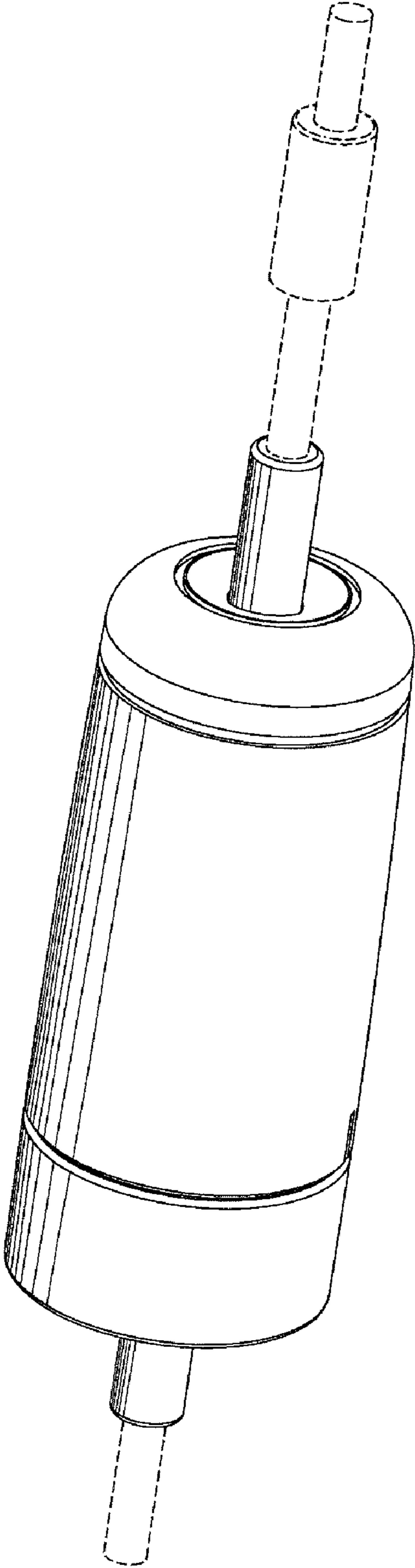


Figure 1

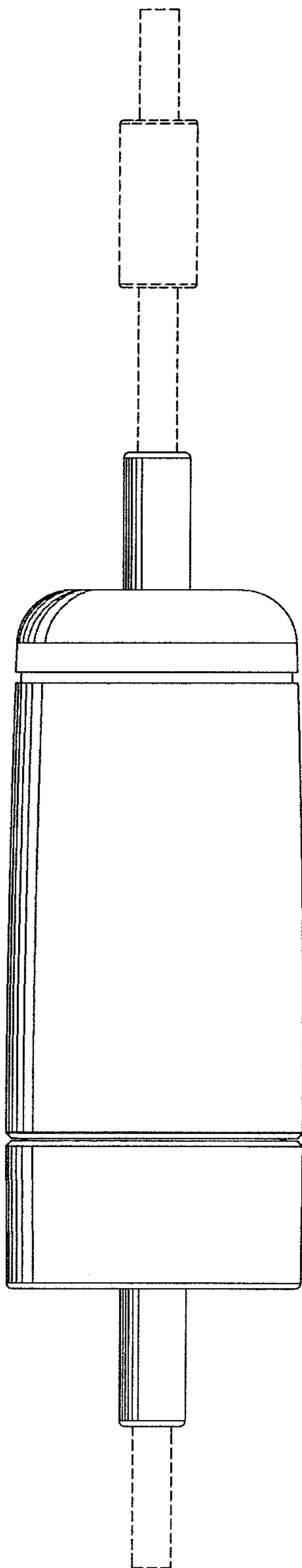


Figure 2

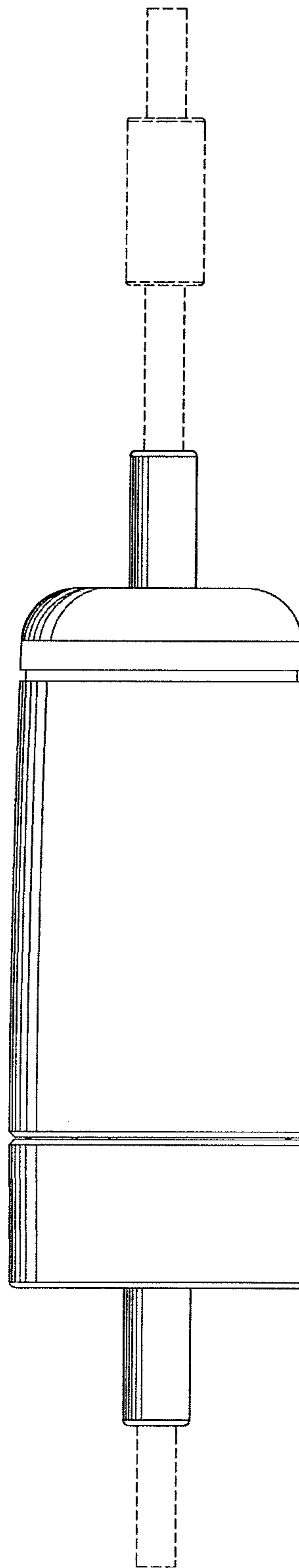


Figure 3

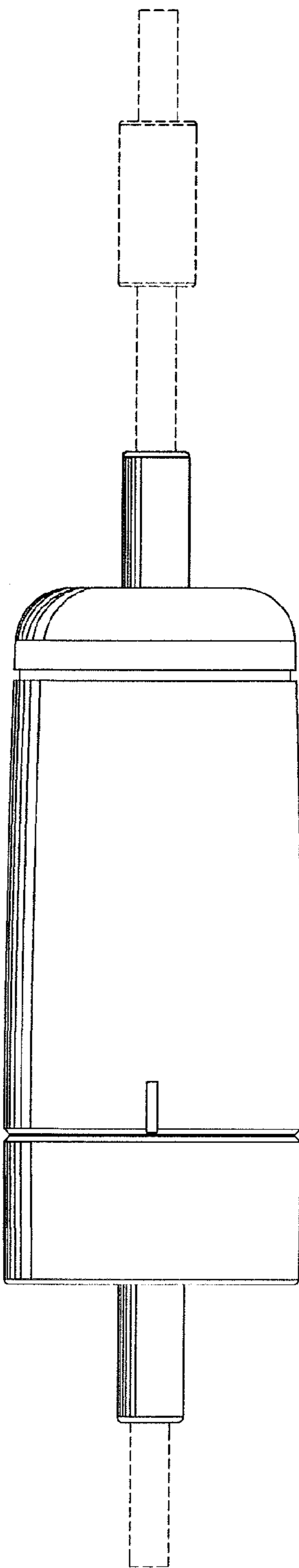


Figure 4

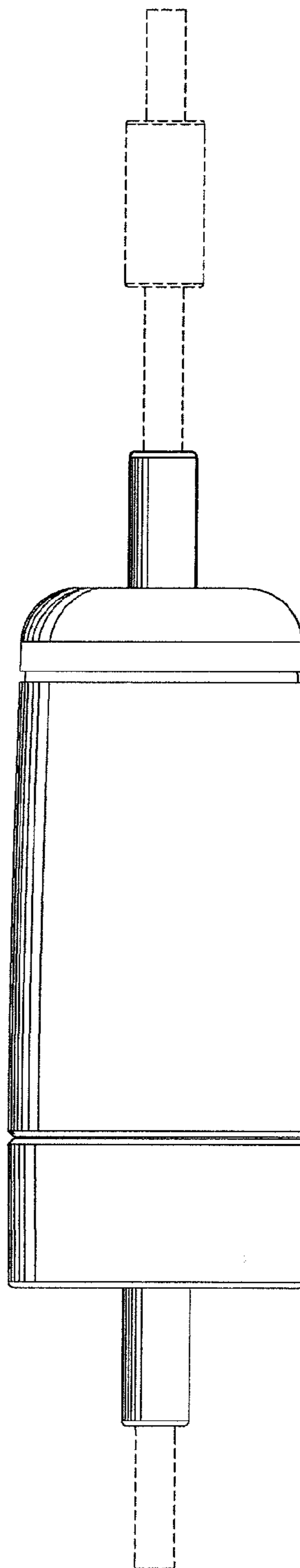


Figure 5

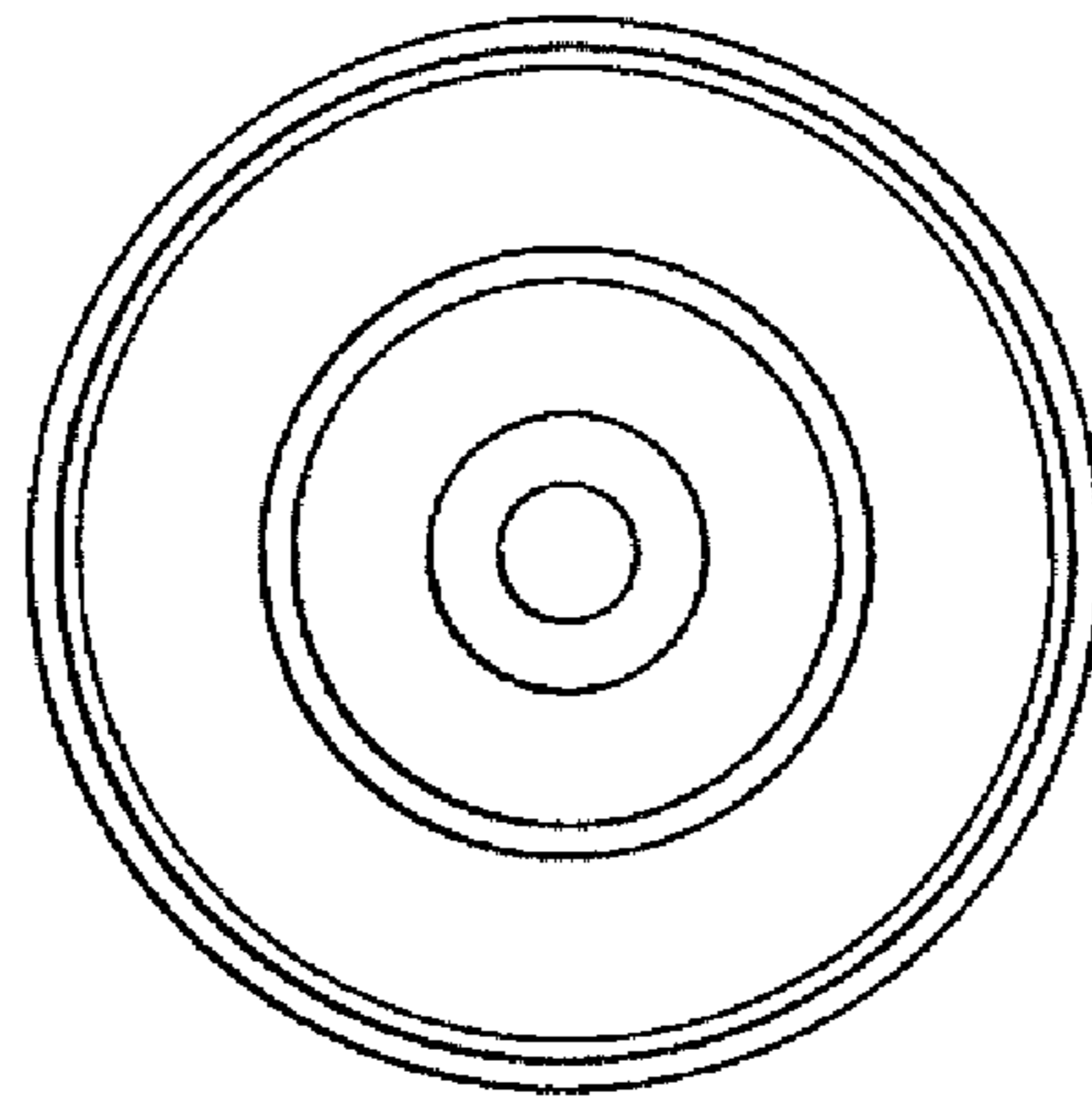


Figure 6