

US00D592629S

(12) **United States Design Patent**
Bai et al.

(10) **Patent No.:** **US D592,629 S**
(45) **Date of Patent:** **** May 19, 2009**

(54) **MOBILE PHONE**

(75) Inventors: **Sung-Kyun Bai**, Seoul (KR);
Seog-Guen Kim, Seoul (KR); **Tae-Ho Kim**,
Yongin-si (KR); **Woo-Seung Han**, Seoul (KR);
Yun-Su Kim, Seoul (KR)

(73) Assignee: **Samsung Electronics Co., Ltd.**,
Suwon-Si (KR)

(**) Term: **14 Years**

(21) Appl. No.: **29/300,835**

(22) Filed: **May 20, 2008**

(30) **Foreign Application Priority Data**

Dec. 27, 2007 (KR) 30-2007-0053835

(51) **LOC (9) Cl.** **14-03**

(52) **U.S. Cl.** **D14/138 AD; D14/138 G**

(58) **Field of Classification Search** D14/137,
D14/138 R, 138 AA, 138 AB, 138 AC, 138 AD,
D14/138 C, 138 G, 147, 191, 218, 247-248,
D14/341-347, 496; D10/65, 78, 104; D13/168;
D18/7; 455/556.1, 566, 575.1, 575.3; 345/169
See application file for complete search history.

(56) **References Cited**

U.S. PATENT DOCUMENTS

D532,791 S * 11/2006 Kim D14/203.7
D541,785 S * 5/2007 Hwang et al. D14/138 G
D544,460 S * 6/2007 Yau D14/138 AD
D548,219 S * 8/2007 Hwang D14/138 AA
D562,285 S * 2/2008 Lim D14/138 G
D562,292 S * 2/2008 Park D14/138 AD
D563,362 S 3/2008 LaDelfa
D563,938 S * 3/2008 Kim et al. D14/138 AD
D569,837 S * 5/2008 Baik et al. D14/138 G
D570,321 S * 6/2008 Choi et al. D14/138 AD
D575,259 S * 8/2008 Kim et al. D14/138
D577,350 S * 9/2008 Bang et al. D14/138 G
D577,353 S * 9/2008 Kim et al. D14/138 AD
D577,703 S * 9/2008 Lee et al. D14/138 G

D578,500 S * 10/2008 Lee et al. D14/138 G
D578,983 S * 10/2008 Bang et al. D14/138 R
D578,987 S * 10/2008 Lee et al. D14/138 R
D579,433 S * 10/2008 Han et al. D14/138 R
D579,437 S * 10/2008 Yoon D14/138 R
D579,898 S * 11/2008 Lee et al. D14/138 R
D579,901 S * 11/2008 Kim et al. D14/138 R
D581,384 S * 11/2008 Kim et al. D14/138 R
D582,379 S * 12/2008 Kim et al. D14/138 AD
2007/0080950 A1 * 4/2007 Lee et al. 345/169
2007/0265031 A1 * 11/2007 Koizumi et al. 455/556.1
2007/0287512 A1 * 12/2007 Kilpi et al. 455/575.1
2008/0051161 A1 * 2/2008 Tashiro 455/575.1

OTHER PUBLICATIONS

HTC MAX 4G, announced Nov. 2008, [online], [retrieved on Nov. 14, 2008]. Retrieved from Internet ,<URL: http://www.gsmarena.com>.*

(Continued)

Primary Examiner—Jeffrey D Asch
Assistant Examiner—Bridget L Eland
(74) *Attorney, Agent, or Firm*—Staas & Halsey LLP

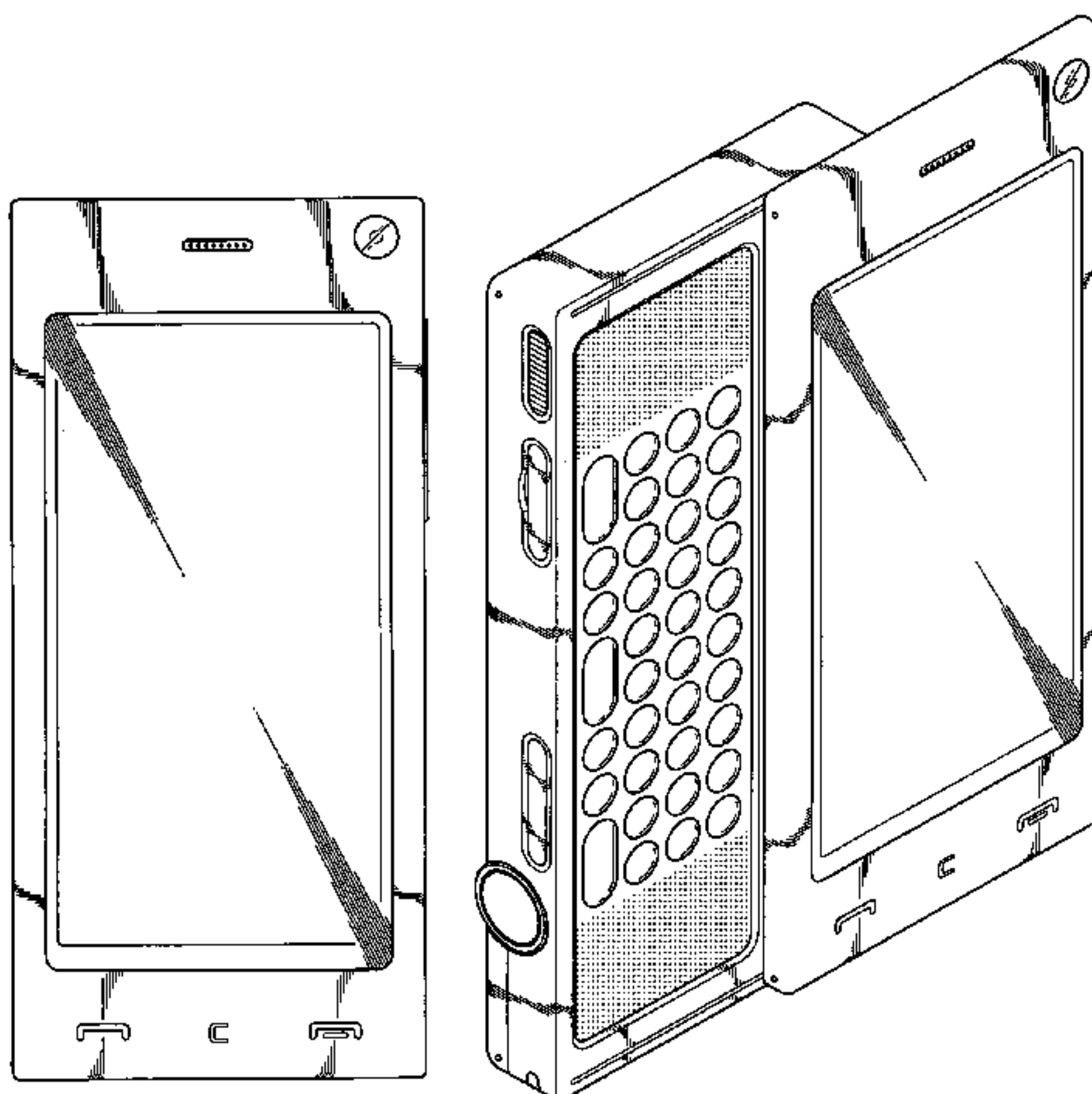
(57) **CLAIM**

The ornamental design for a mobile phone, as shown and described.

DESCRIPTION

FIG. 1 is a perspective view of a mobile phone;
FIG. 2 is a front view of the mobile phone of FIG. 1;
FIG. 3 is a rear view of the mobile phone of FIG. 1;
FIG. 4 is a left-side view of the mobile phone of FIG. 1;
FIG. 5 is a right-side view of the mobile phone of FIG. 1;
FIG. 6 is a top plan view of the mobile phone of FIG. 1;
FIG. 7 is a bottom plan view of the mobile phone of FIG. 1;
and,
FIG. 8 is a front open perspective view of the portable phone of FIG. 1.

1 Claim, 6 Drawing Sheets



OTHER PUBLICATIONS

LG KF700, announced Feb. 2008, [online], [retrieved on Mar. 21, 2008 and May 14, 2008]. Retrieved from Internet ,<URL: <http://www.gsmarena.com>>.*

Samsung F700, announced Feb. 2007, [online], [retrieved on Feb. 8, 2007]. Retrieved from Internet ,<URL: <http://www.gsmarena.com>>.*

* cited by examiner

FIG. 1

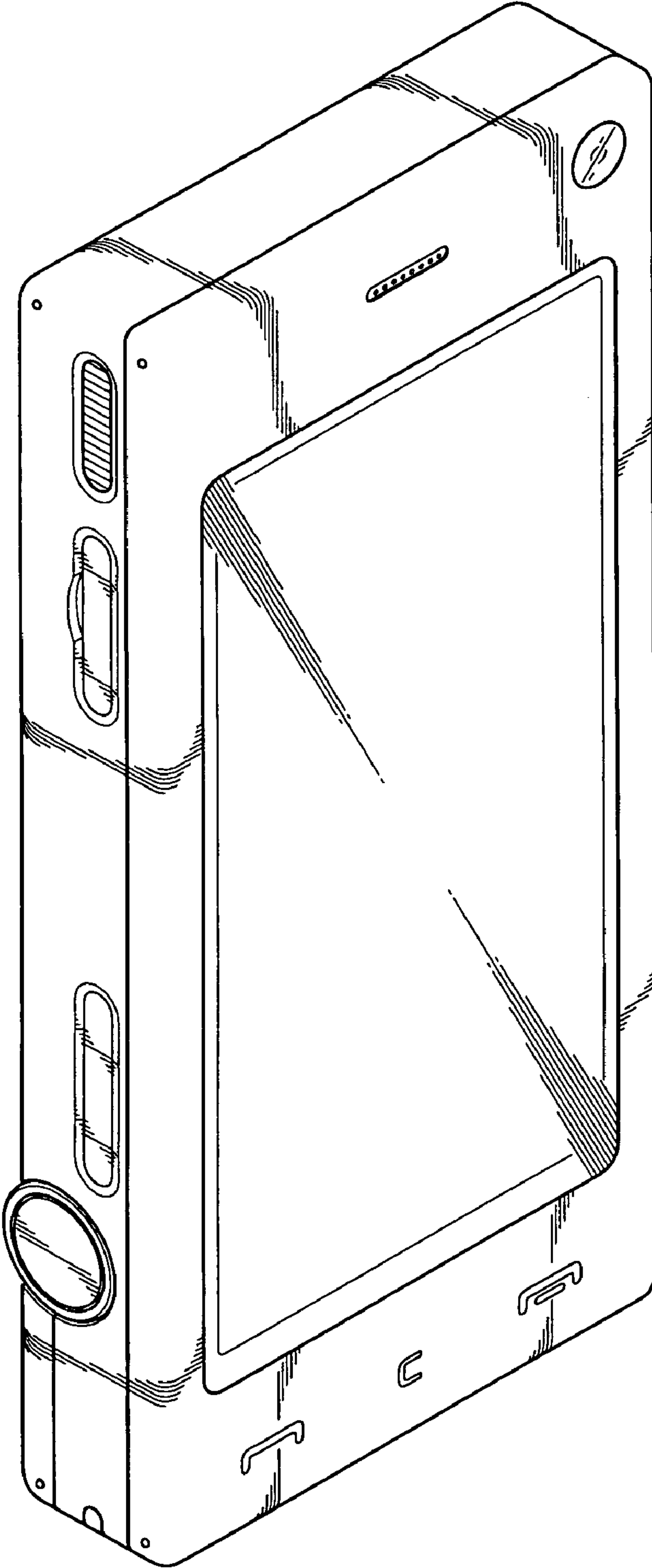


FIG. 2

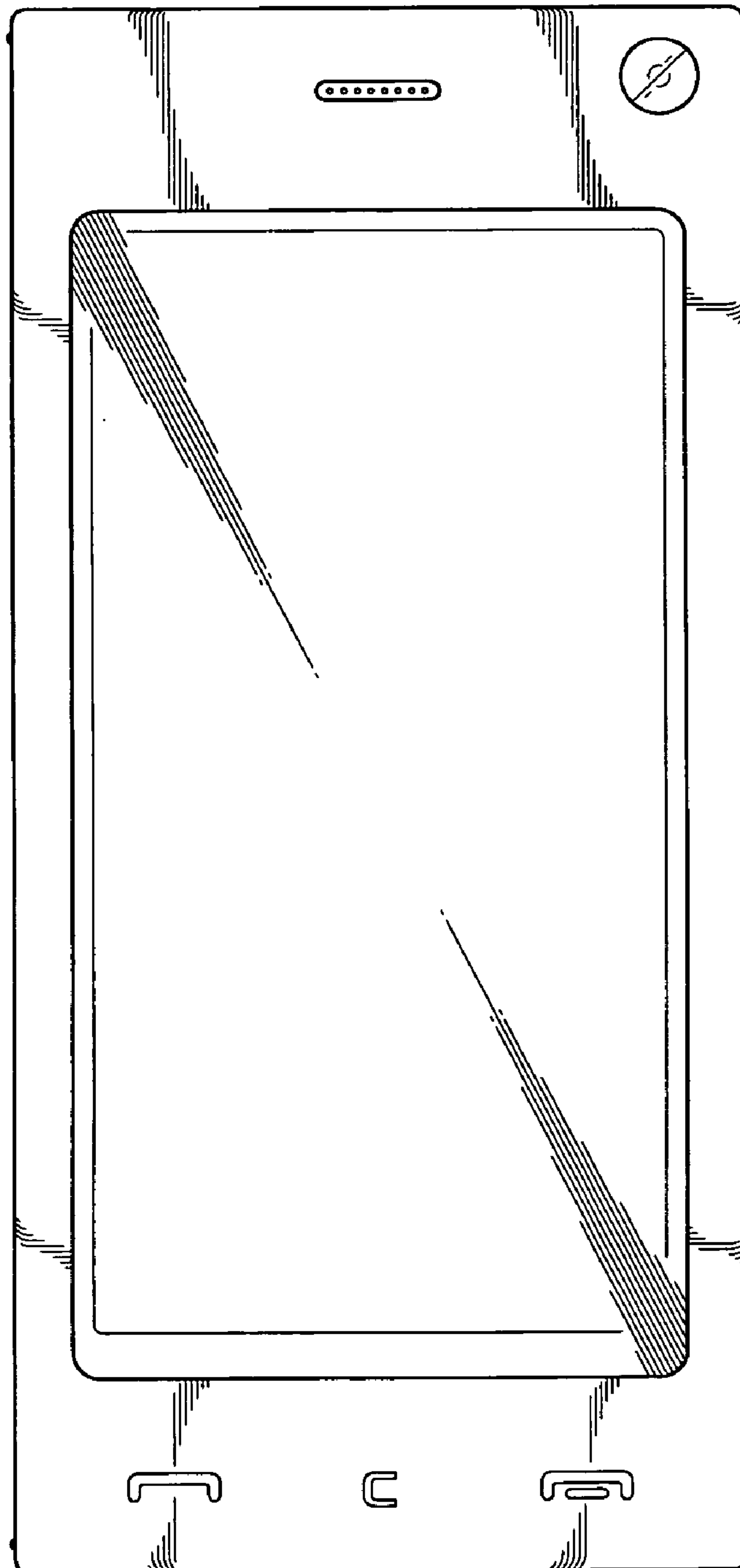


FIG. 3

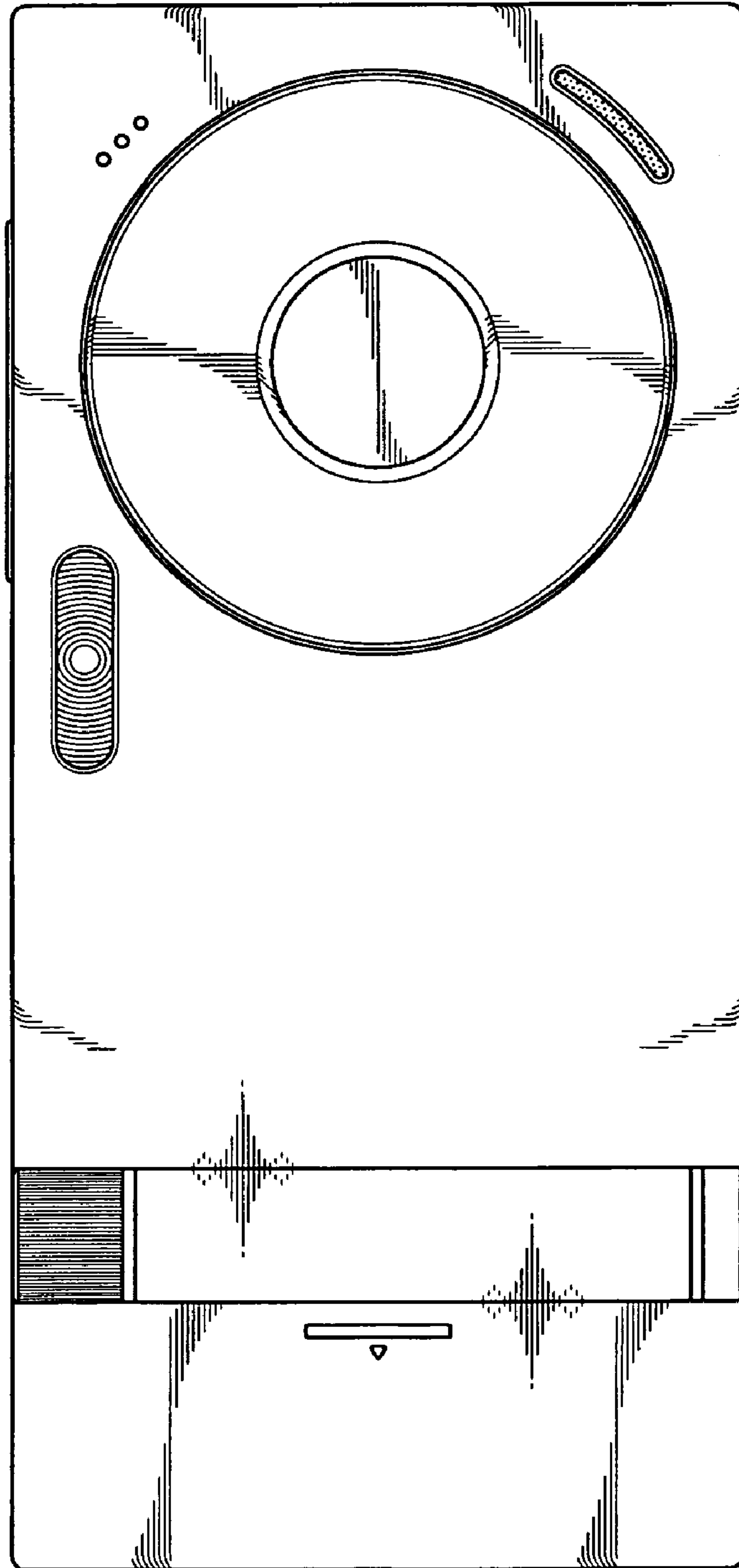


FIG. 4

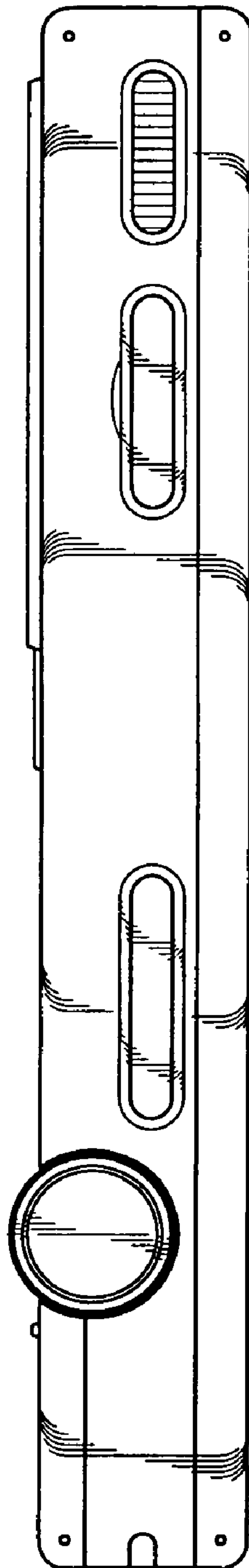


FIG. 5

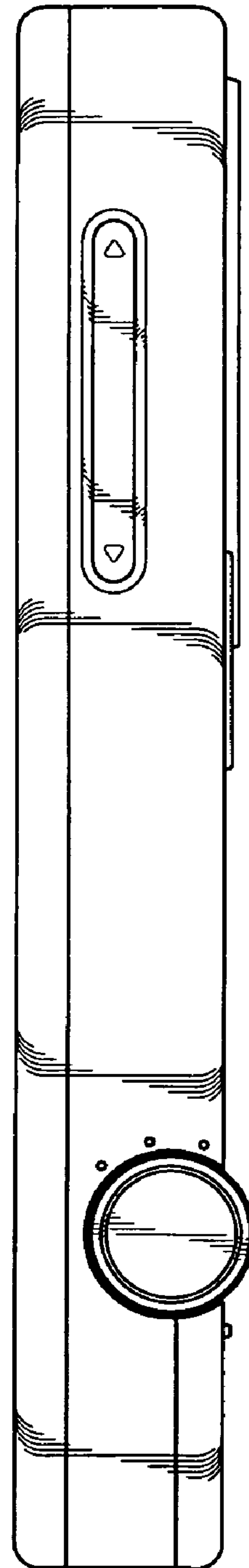


FIG. 6

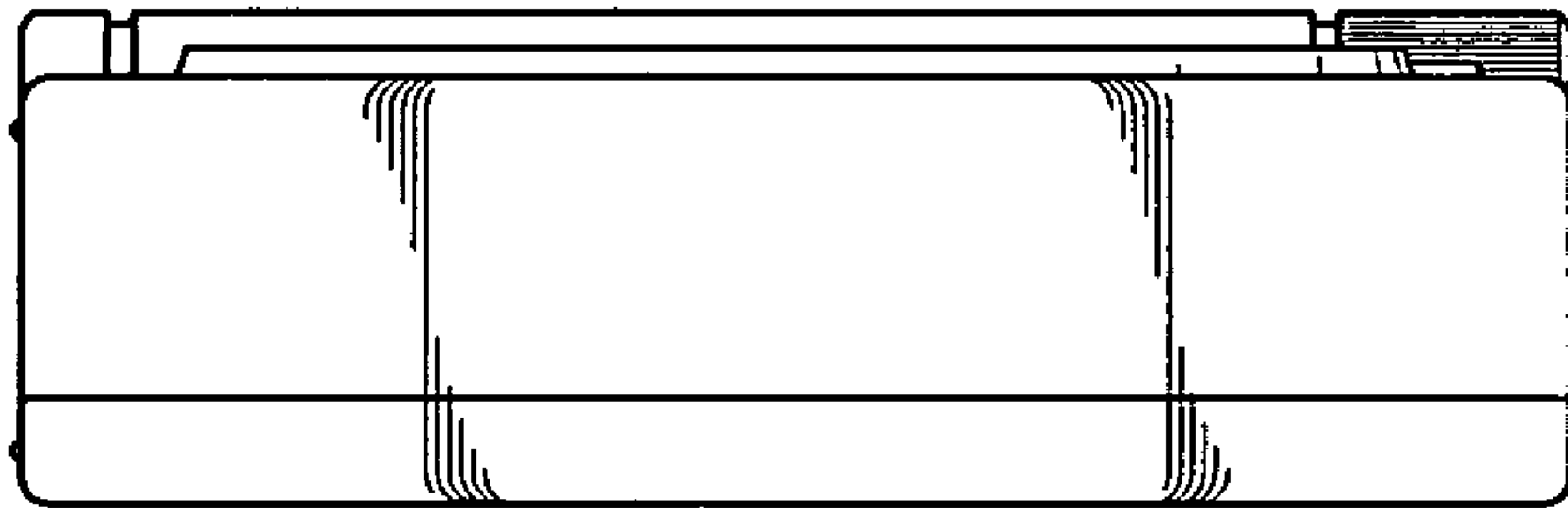


FIG. 7

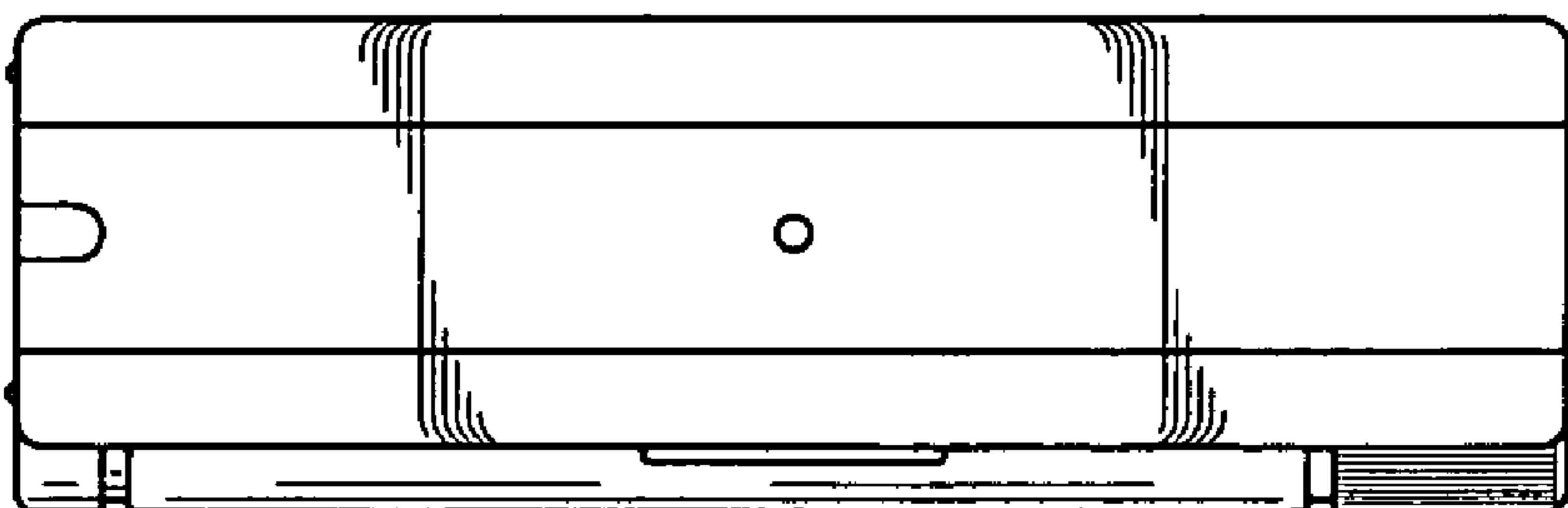


FIG. 8

