



US00D592623S

(12) **United States Design Patent**  
**Ferguson**

(10) **Patent No.:** **US D592,623 S**  
(45) **Date of Patent:** **\*\* May 19, 2009**

(54) **DISPLAY SYSTEM**

(75) Inventor: **James L. Ferguson**, Menlo Park, CA  
(US)

(73) Assignee: **Ferguson Patent Properties LLC**,  
Menlo Park, CA (US)

(\*\*) Term: **14 Years**

(21) Appl. No.: **29/323,087**

(22) Filed: **Aug. 18, 2008**

**Related U.S. Application Data**

(60) Division of application No. 29/295,345, filed on Sep. 27, 2007, now Pat. No. Des. 576,977, which is a division of application No. 29/248,538, filed on Aug. 21, 2006, now Pat. No. Des. 556,710, which is a division of application No. 29/217,344, filed on Nov. 16, 2004, now Pat. No. Des. 533,524, which is a continuation of application No. 10/721,968, filed on Nov. 24, 2003, which is a continuation-in-part of application No. 09/611,541, filed on Jul. 7, 2000, now Pat. No. 6,703,988.

(51) **LOC (9) Cl.** ..... **14-03**

(52) **U.S. Cl.** ..... **D14/127**

(58) **Field of Classification Search** ..... D14/125-134,  
D14/239, 371, 136, 374-377, 440, 40, 448,  
D14/336, 342; 312/7.2; 348/836, 838, 180,  
348/184, 325, 739; 341/12; 248/917-924,  
248/465; 345/104, 133, 156, 168, 87, 173;  
720/605, 669, 600, 655; 369/99, 197; 455/344,  
455/347; D21/329, 515, 577, 622, 333, 433,  
D21/448, 452, 450, 331; D6/477, 479; 273/148 B;  
446/484, 175, 356; D10/15, 26

See application file for complete search history.

(56) **References Cited**

**U.S. PATENT DOCUMENTS**

2,845,618 A 7/1958 Huffman  
5,074,645 A 12/1991 Gold et al.

5,421,589 A 6/1995 Monroe  
5,453,859 A 9/1995 Sannohe et al.  
5,598,282 A 1/1997 DeGroof  
5,644,427 A 7/1997 Omori et al.  
D385,533 S 10/1997 Adams  
5,777,665 A 7/1998 McNelley et al.  
D415,124 S 10/1999 Rooyakkers et al.  
5,976,017 A 11/1999 Omori et al.  
D428,864 S 8/2000 Rooyakkers et al.  
6,124,920 A 9/2000 Moseley  
6,130,784 A 10/2000 Takahashi  
D438,206 S 2/2001 Joshi  
D440,543 S 4/2001 Kodimer  
6,212,068 B1 4/2001 Rooyakkers et al.  
6,215,532 B1 4/2001 Takagi et al.  
6,271,924 B1 8/2001 Ngoi et al.  
D455,427 S 4/2002 Vejbrink

(Continued)

**FOREIGN PATENT DOCUMENTS**

DE 19534750 3/1997

(Continued)

*Primary Examiner*—Raphael Barkai

(74) *Attorney, Agent, or Firm*—Renner, Otto, Boisselle & Sklar, LLP

(57) **CLAIM**

I claim the ornamental design for a display system, as shown and described.

**DESCRIPTION**

FIG. 1 is a front perspective view of a display system showing my new design;

FIG. 2 is a front view thereof;

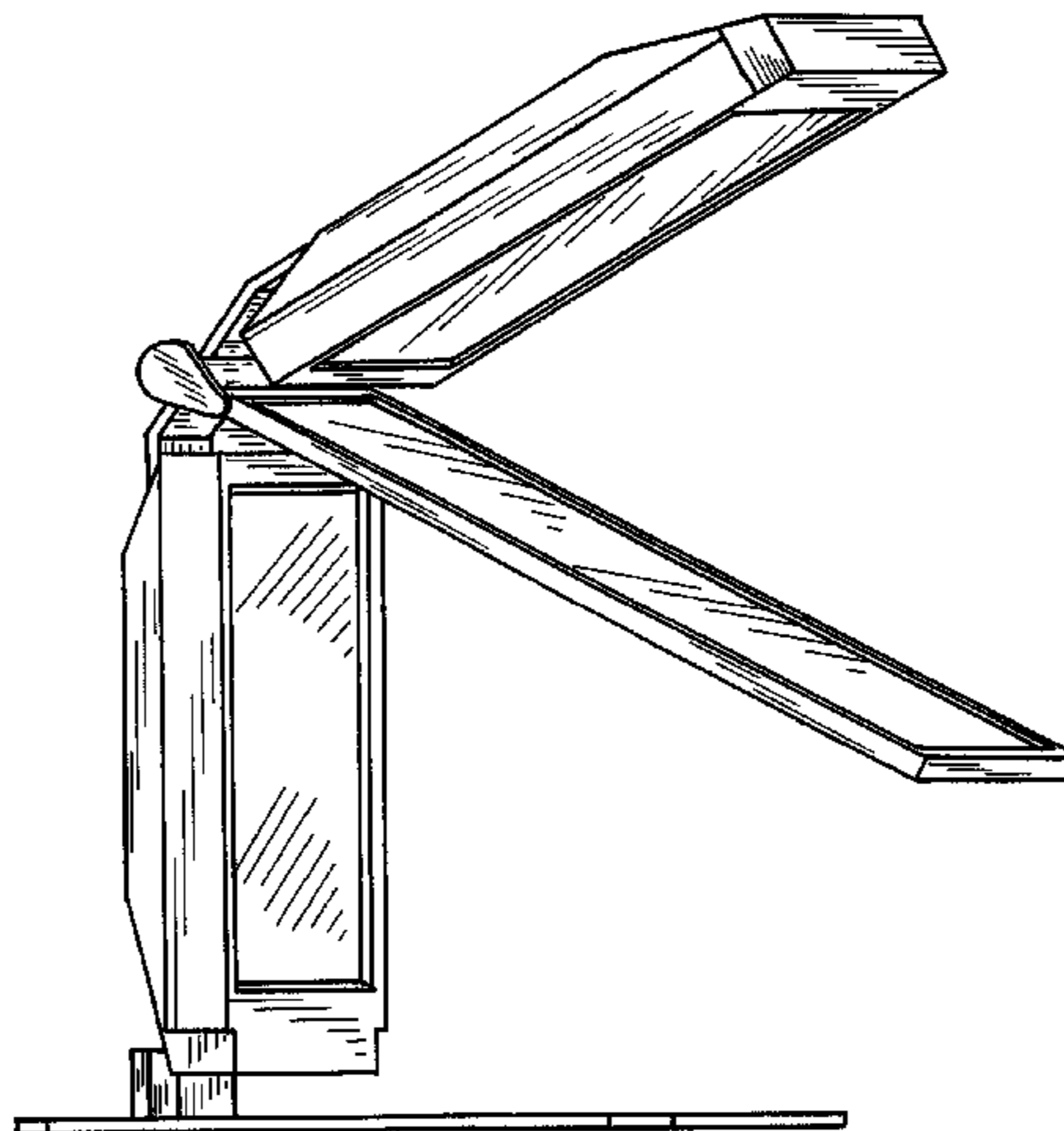
FIG. 3 is a right side view thereof, the left side view being a mirror image thereof;

FIG. 4 is a rear view thereof;

FIG. 5 is a top view thereof; and,

FIG. 6 is a bottom view thereof.

**1 Claim, 6 Drawing Sheets**



# US D592,623 S

Page 2

---

## U.S. PATENT DOCUMENTS

6,400,394 B1 6/2002 Kim et al.  
6,449,090 B1 9/2002 Omar et al.  
6,522,310 B1 2/2003 Kim  
6,593,957 B1 7/2003 Christie  
6,611,241 B1 8/2003 Firester et al.  
D492,676 S 7/2004 Monson et al.  
6,765,640 B1 7/2004 Acosta et al.  
7,411,636 B2\* 8/2008 Abileah ..... 349/15  
2005/0185139 A1 8/2005 Yamanaka et al.  
2006/0232719 A1 10/2006 Abileah

2006/0268407 A1 11/2006 Ferguson et al.  
2006/0290889 A1 12/2006 Robinson et al.

## FOREIGN PATENT DOCUMENTS

EP 0505998 9/1992  
ES 2024269 2/1992  
JP 63-74027 4/1988  
JP 5-168046 7/1993  
JP 06160834 6/1994

\* cited by examiner

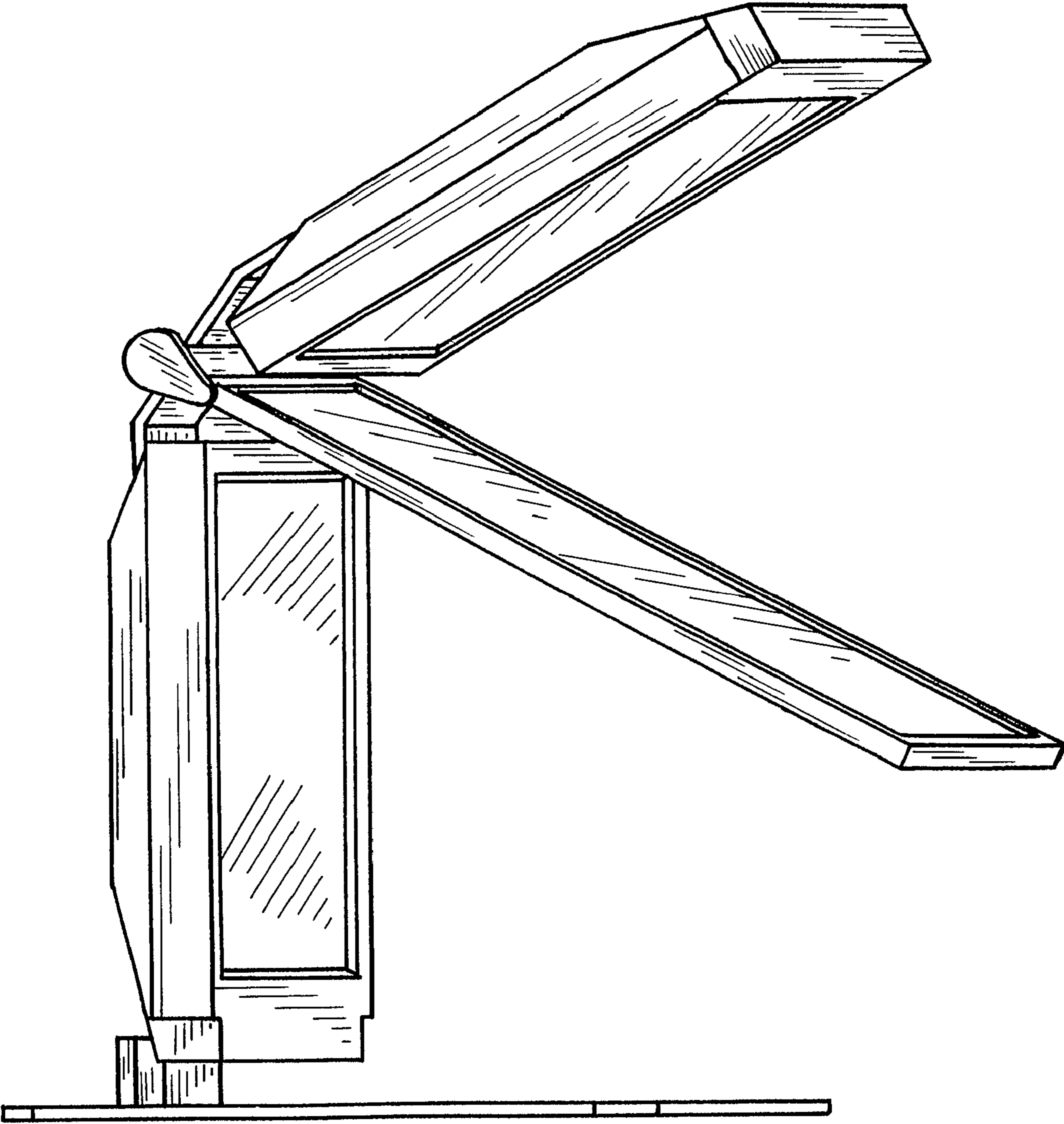


FIG. 1

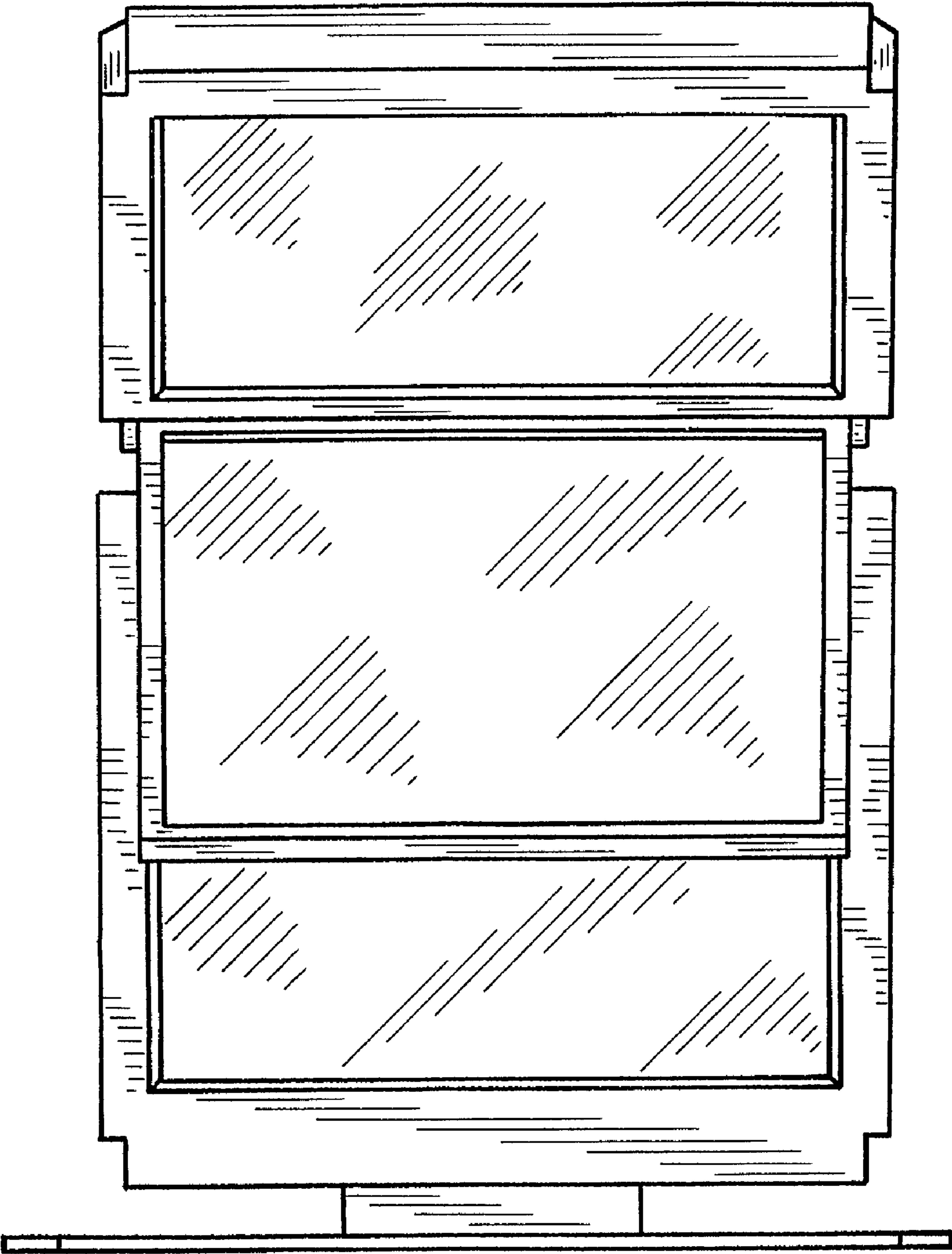


FIG. 2

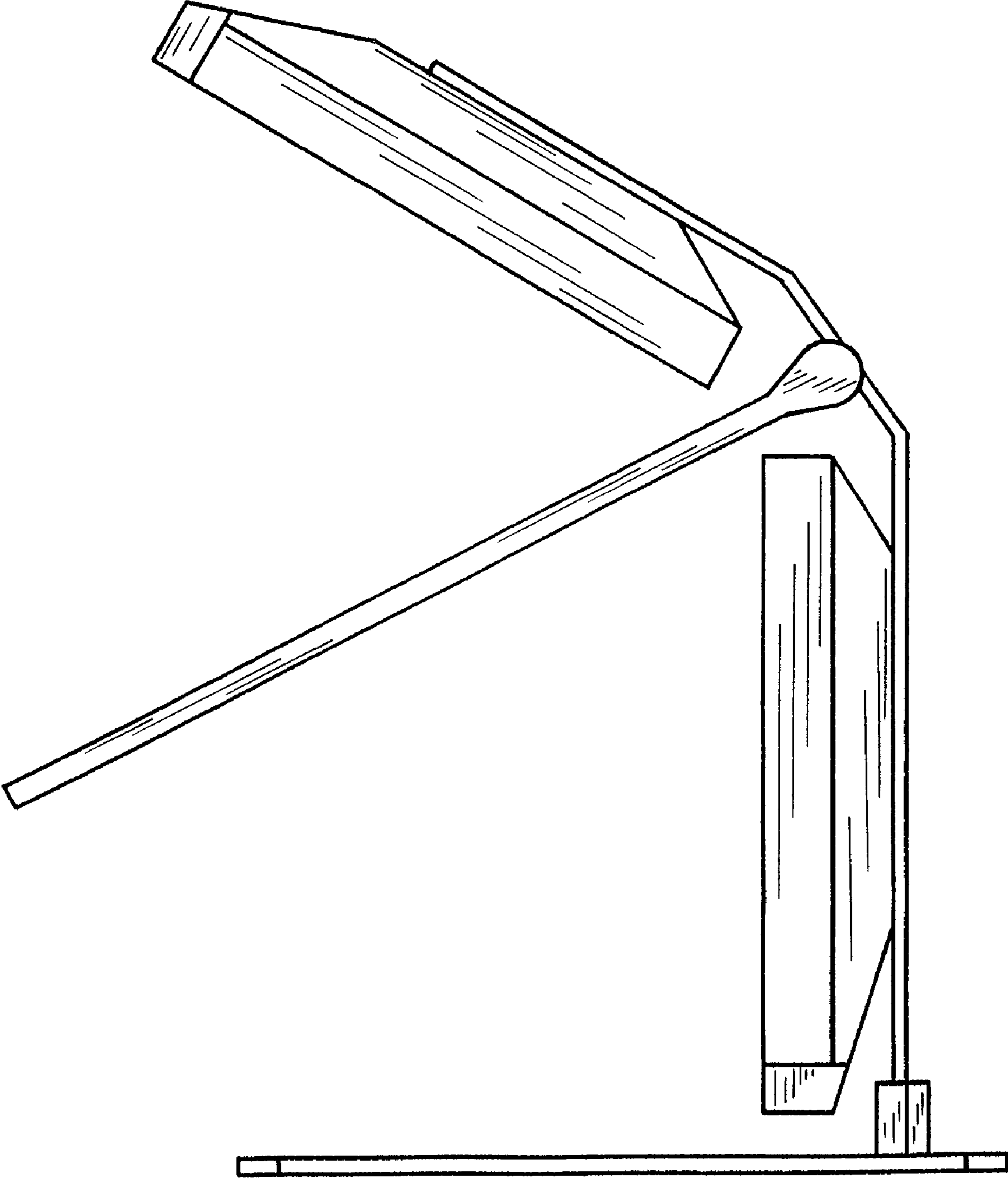


FIG. 3

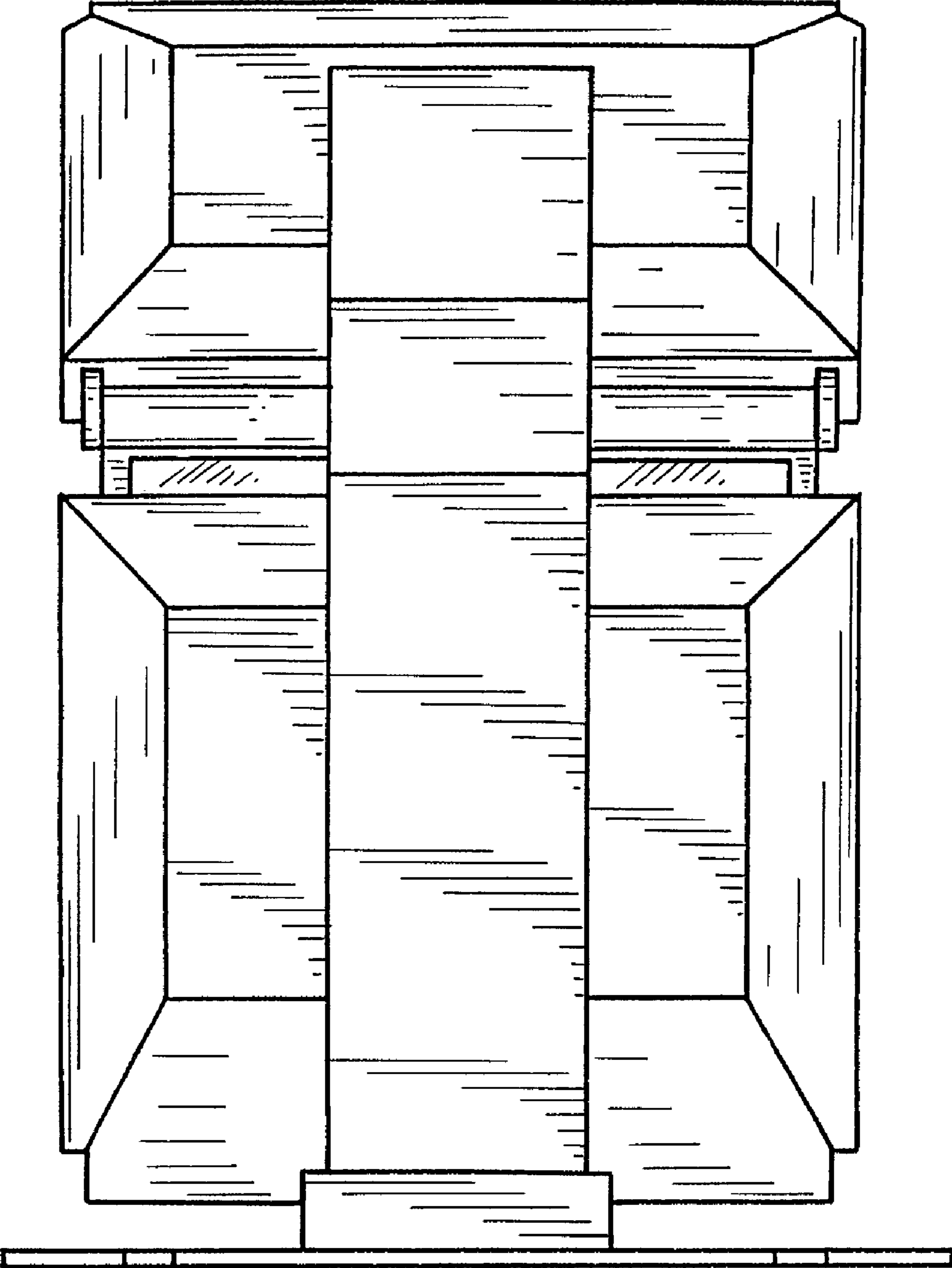


FIG. 4

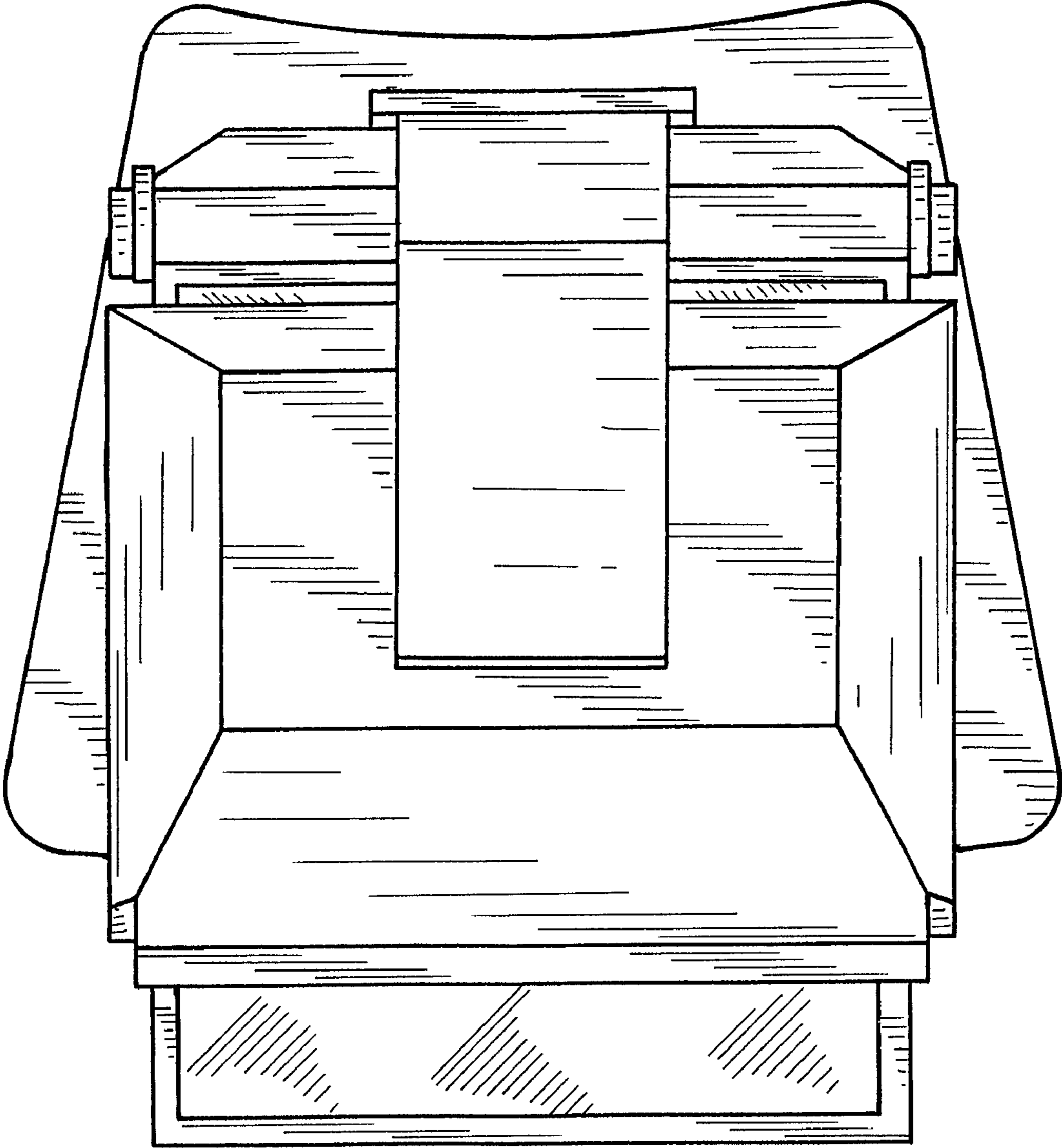


FIG. 5

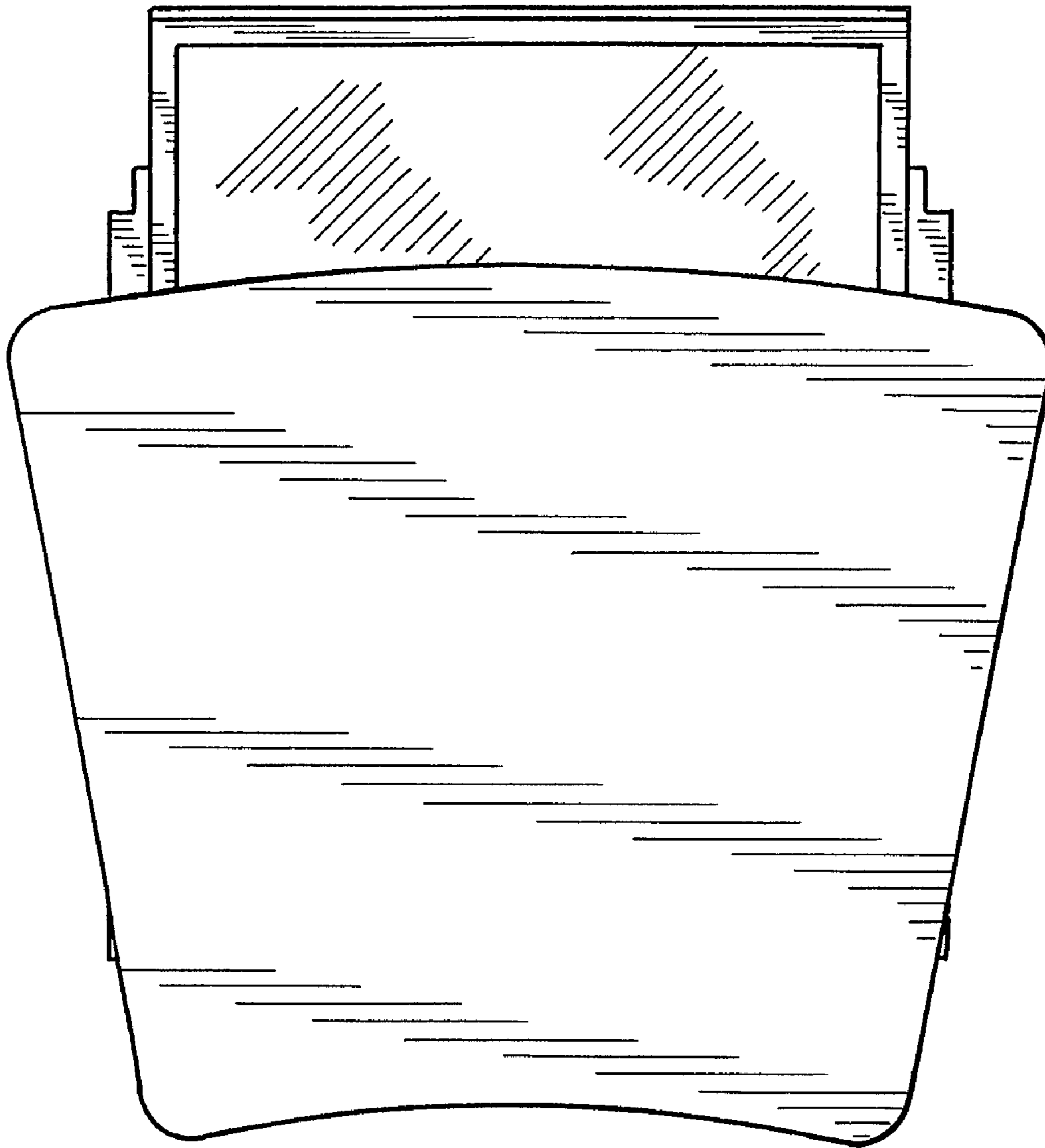


FIG. 6