

US00D592621S

(12) **United States Design Patent**
Han

(10) **Patent No.:** **US D592,621 S**

(45) **Date of Patent:** **** May 19, 2009**

(54) **LCD MONITOR**

(75) Inventor: **Kyu-Mi Han**, Seoul (KR)

(73) Assignee: **Samsung Electronics Co., Ltd.**, Suwon, Kyunggi-Do (KR)

(**) Term: **14 Years**

(21) Appl. No.: **29/310,075**

(22) Filed: **Jul. 24, 2008**

(51) **LOC (9) Cl.** **14-03**

(52) **U.S. Cl.** **D14/126**

(58) **Field of Classification Search** D14/125-134, D14/239, 371, 136, 374-377, 440, 450, 448, D14/336, 342; 312/7.2; 348/836, 838, 180, 348/184, 325, 739; 341/12; 248/917-924, 248/465; 345/104, 133, 156, 168, 87, 173; 720/605, 669, 600, 655; 369/99, 197; 455/344, 455/347; D21/329, 515, 577, 622, 333, 433, D21/448, 452, 450, 331; D6/477, 479; 273/148 B; 446/484, 175, 356; D10/15, 26
See application file for complete search history.

(56) **References Cited**

U.S. PATENT DOCUMENTS

D428,415 S	*	7/2000	Shibata	D14/356
D432,101 S	*	10/2000	Oba	D14/126
D438,518 S	*	3/2001	Kanatani et al.	D14/126
D453,022 S	*	1/2002	Oba	D14/374
D476,335 S	*	6/2003	Miao et al.	D14/375
D483,021 S	*	12/2003	Shih	D14/126
D494,941 S		8/2004	Kim		
D499,386 S		12/2004	Yang		
D512,424 S		12/2005	Kim		
D521,511 S		5/2006	Kim et al.		
D521,996 S		5/2006	Kim et al.		
D521,997 S		5/2006	Park et al.		
D522,509 S		6/2006	Park et al.		
D524,313 S		7/2006	Boo et al.		
D527,003 S		8/2006	Kim et al.		
D528,115 S		9/2006	Yoon		
D528,116 S		9/2006	Won et al.		

D529,910 S		10/2006	Ota		
D531,593 S	*	11/2006	Overthun	D14/126
D531,631 S	*	11/2006	Andre et al.	D14/375
D532,764 S		11/2006	Kim et al.		
D533,848 S		12/2006	Lee et al.		
D534,510 S		1/2007	Kang et al.		
D534,883 S		1/2007	Kang et al.		
D535,267 S		1/2007	Kang et al.		
D536,677 S		2/2007	Kim et al.		
D537,079 S		2/2007	Park		
D539,242 S		3/2007	Lee et al.		
D539,281 S		3/2007	Kim et al.		
D539,767 S		4/2007	Kang et al.		
D540,277 S		4/2007	Kim et al.		
D541,236 S		4/2007	Kim et al.		
D541,763 S		5/2007	Kim		
D542,746 S		5/2007	Kim		

(Continued)

OTHER PUBLICATIONS

U.S. Appl. No. 29/269,013, Applicant: Jun-Ho Yang, et al., filed Nov. 17, 2006 entitled LCD Television Set.

(Continued)

Primary Examiner—Raphael Barkai
(74) *Attorney, Agent, or Firm*—Flynn, Thiel, Boutell & Tanis, P.C.

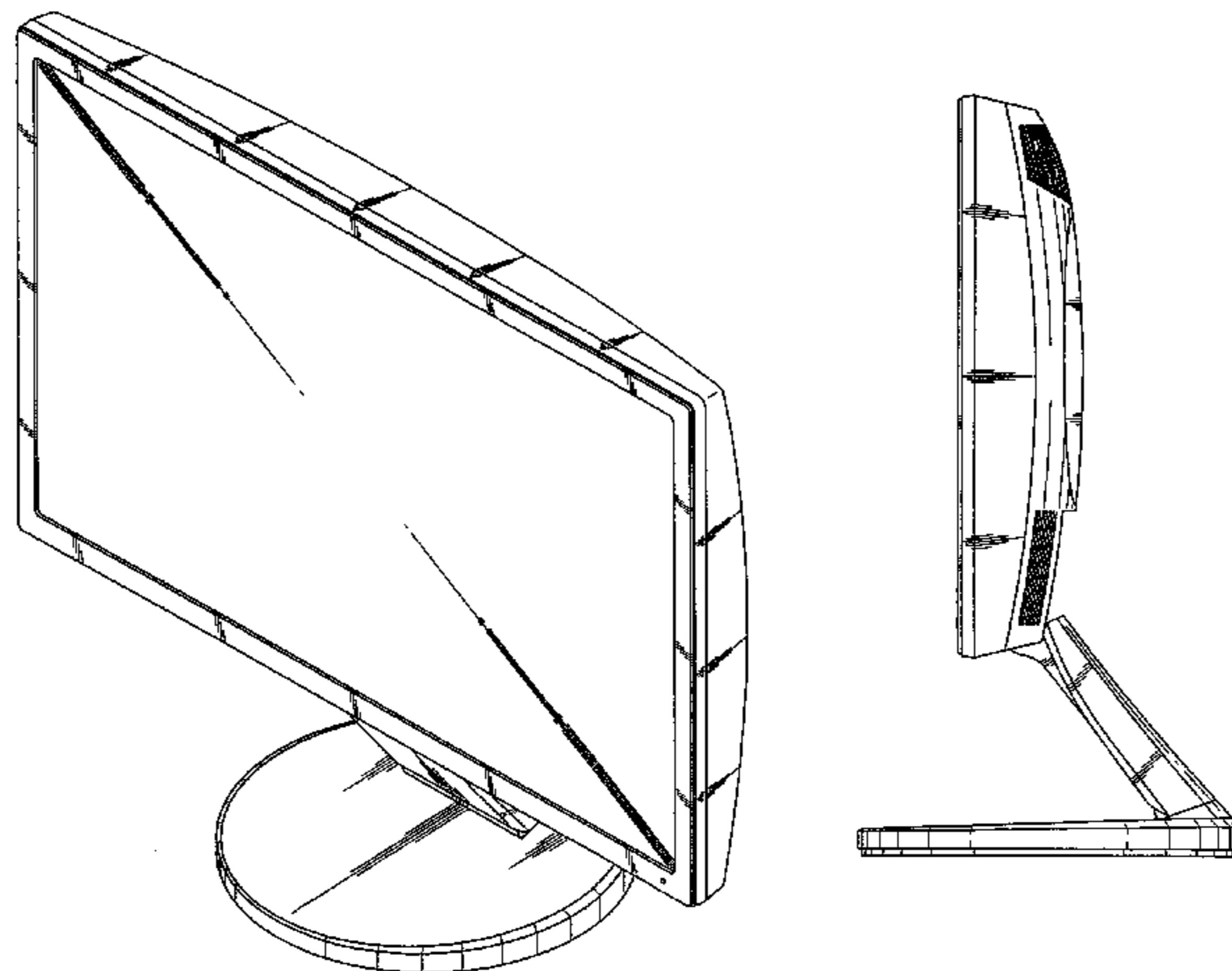
(57) **CLAIM**

The ornamental design for a LCD monitor, as shown and described.

DESCRIPTION

FIG. 1 is a top front perspective view of a LCD monitor showing my new design;
FIG. 2 is a front elevational view thereof;
FIG. 3 is a rear elevational view thereof;
FIG. 4 is a left side elevational view thereof;
FIG. 5 is a right side elevational view thereof;
FIG. 6 is a top plan view thereof; and,
FIG. 7 is a bottom plan view thereof.

1 Claim, 5 Drawing Sheets



US D592,621 S

Page 2

U.S. PATENT DOCUMENTS

D542,747 S	5/2007	Kim et al.	D567,199 S	4/2008	Kim et al.
D543,163 S	5/2007	Yang et al.	D569,815 S *	5/2008	Otani D14/126
D543,164 S	5/2007	Yang et al.	D569,818 S	5/2008	Kim et al.
D544,849 S	6/2007	Yang et al.	D570,806 S *	6/2008	Lee D14/126
D545,312 S	6/2007	Kim	D570,841 S	6/2008	Kim et al.
D545,313 S	6/2007	Kim	D572,680 S	7/2008	Lee et al.
D545,314 S	6/2007	Kim	D572,682 S	7/2008	Won et al.
D545,315 S	6/2007	Kim	D573,118 S	7/2008	Yang et al.
D545,316 S	6/2007	Kim	D573,559 S	7/2008	Kim et al.
D545,776 S	7/2007	Kwon	D576,622 S	9/2008	Park
D545,820 S	7/2007	Won et al.	D578,087 S *	10/2008	Yokota D14/126
D546,331 S	7/2007	Kim			
D547,276 S	7/2007	Yang et al.			
D547,313 S	7/2007	Kim			
D548,205 S	8/2007	Kim et al.			
D548,206 S	8/2007	Han			
D548,708 S	8/2007	Park et al.			
D551,186 S	9/2007	Yang et al.			
D551,194 S	9/2007	Kim et al.			
D551,636 S	9/2007	Kang et al.			
D553,108 S	10/2007	Won et al.			
D554,601 S	11/2007	Won et al.			
D556,159 S	11/2007	Park et al.			
D556,160 S	11/2007	Lee et al.			
D556,709 S	12/2007	Kim et al.			
D556,755 S	12/2007	Lee et al.			
D556,756 S	12/2007	Kataoka et al.			
D556,757 S	12/2007	Kim et al.			
D558,201 S	12/2007	Park et al.			
D558,696 S	1/2008	Park et al.			
D561,130 S	2/2008	Won et al.			
D561,134 S	2/2008	Kim et al.			
D561,135 S	2/2008	Won et al.			
D561,136 S	2/2008	Won et al.			
D564,472 S	3/2008	Won et al.			
D565,521 S	4/2008	Yang et al.			
D567,198 S	4/2008	Yang et al.			

OTHER PUBLICATIONS

U.S. Appl. No. 29/301,658, Applicant: Eui-Seok Kim, et al., filed Mar. 12, 2008 entitled LCD Monitor.
U.S. Appl. No. 29/286,893, Applicant: Seung-Ho Lee, et al., filed May 22, 2007 entitled LCD Television Set.
U.S. Appl. No. 29/293,974, Applicant: Eui-Seok Kim, et al., filed Dec. 19, 2007 entitled LCD Monitor.
U.S. Appl. No. 29/293,973, Applicant: Eui-Seok Kim, et al., filed Dec. 19, 2007 entitled LCD Monitor.
U.S. Appl. No. 29/291,993, Applicant: Jun-Ho Yang, et al., filed Sep. 25, 2007 entitled PDP Television Receiver.
U.S. Appl. No. 29/301,676, Applicant: Eui-Seok Kim, et al., filed Mar. 12, 2008 entitled LCD Monitor.
U.S. Appl. No. 29/307,957, Applicant: Jae-Seung Song, et al., filed May 20, 2008 entitled LCD Monitor.
U.S. Appl. No. 29/307,943, Applicant: Jun-Ho Yang, et al., filed May 20, 2008 entitled LCD Television Set.
U.S. Appl. No. 29/307,941, Applicant: Jun-Ho Yang, et al., filed May 20, 2008 entitled LCD Television Set.
U.S. Appl. No. 29/308,894, Applicant: Eui-Seok Kim, et al., filed Jul. 14, 2008 entitled LCD Monitor.
U.S. Appl. No. 29/308,635, Applicant: Ki-Soo Kim, et al., filed Jun. 27, 2008 entitled LCD Monitor.
U.S. Appl. No. 29/308,634, Applicant: Kyu-Mi Han, et al., filed Jun. 27, 2008 entitled Television Set.

* cited by examiner

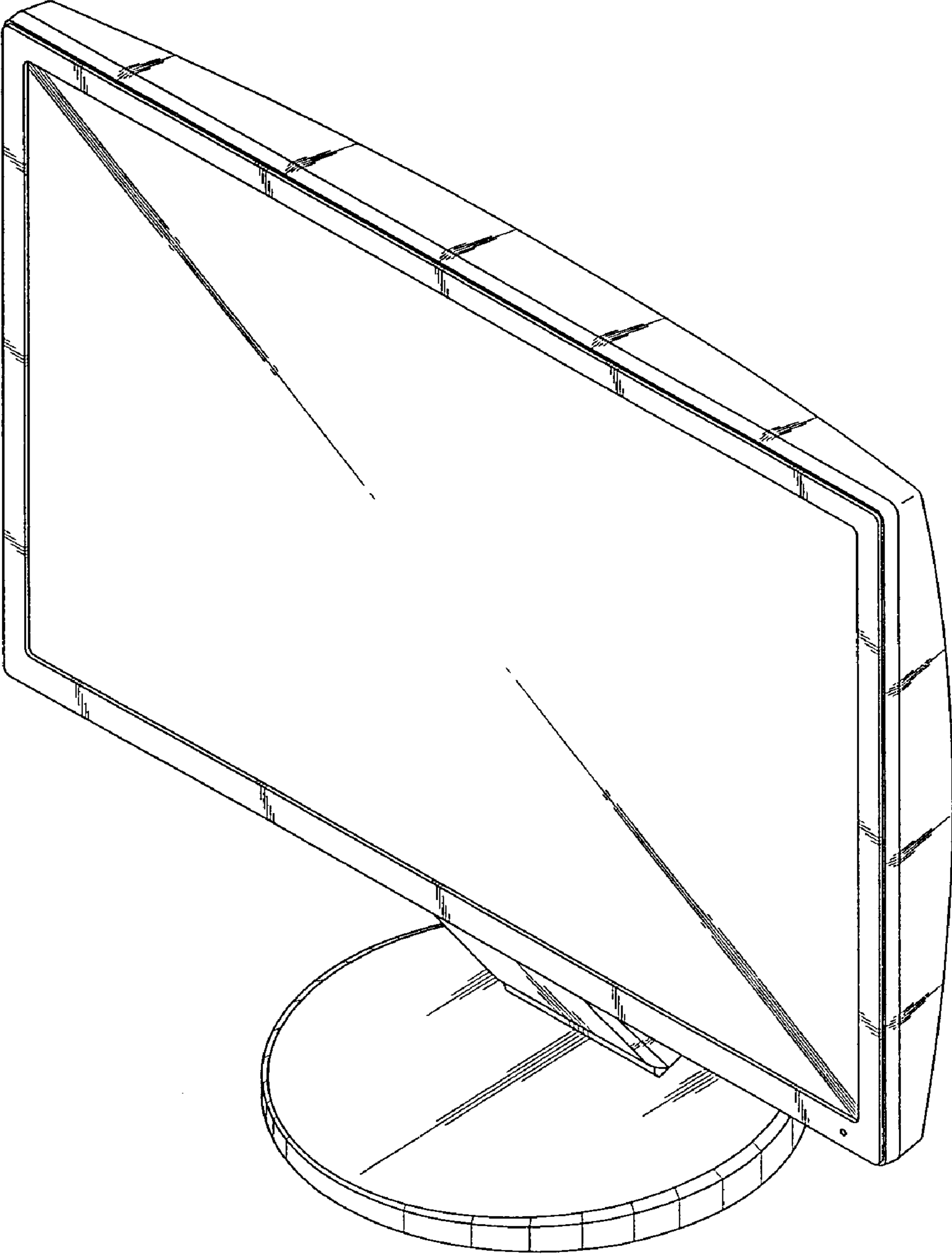


FIG. 1

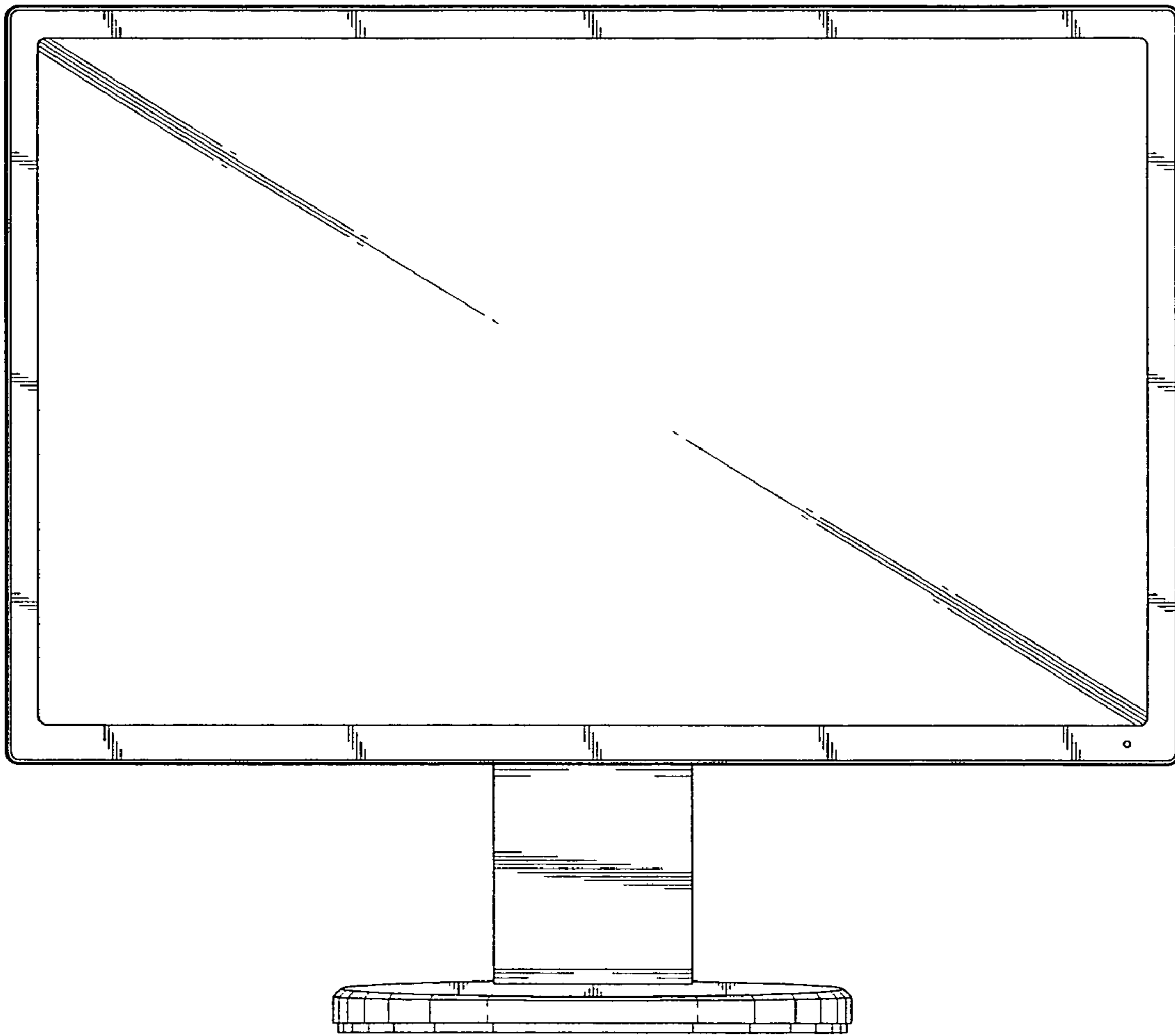


FIG.2

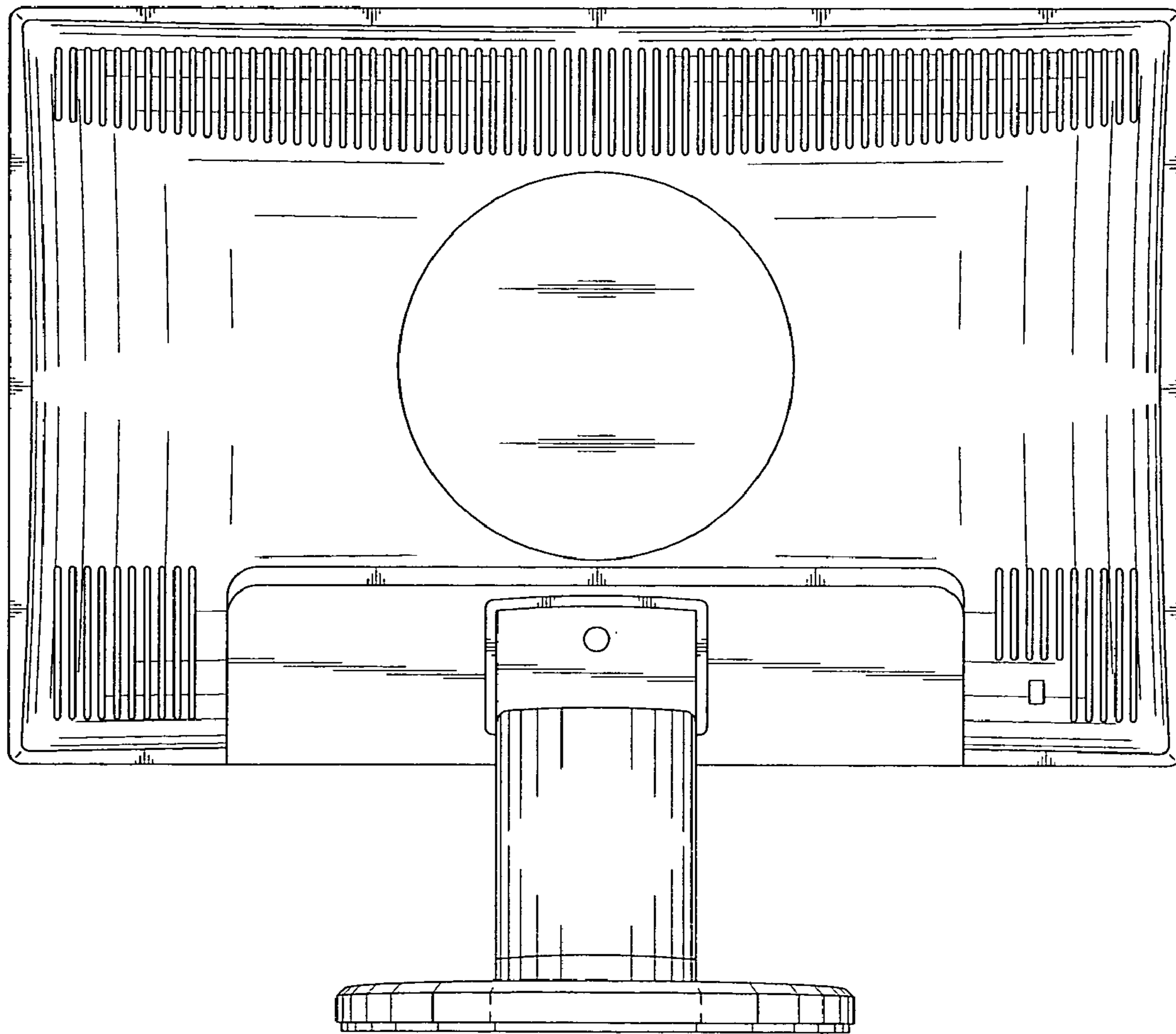


FIG.3

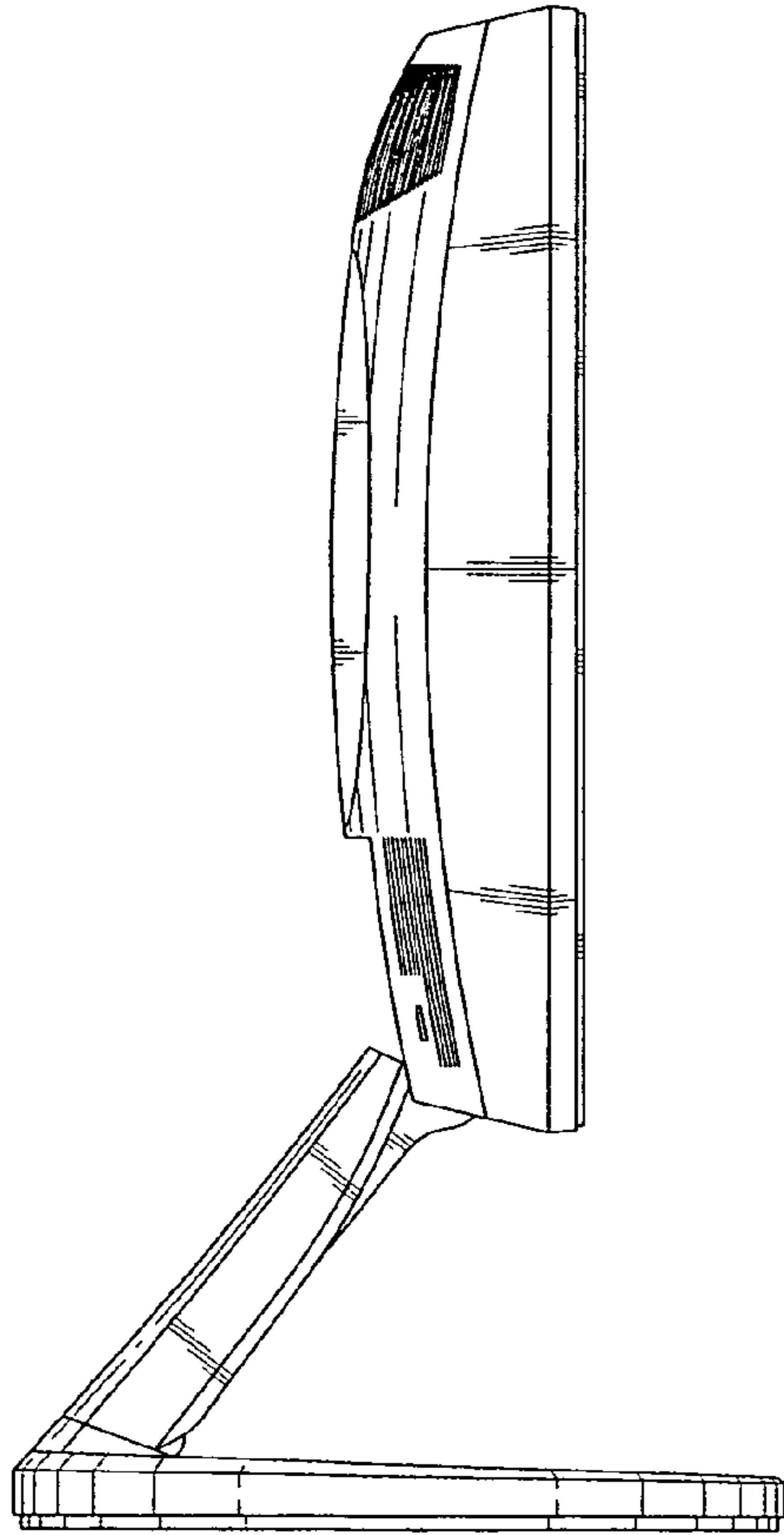


FIG.4

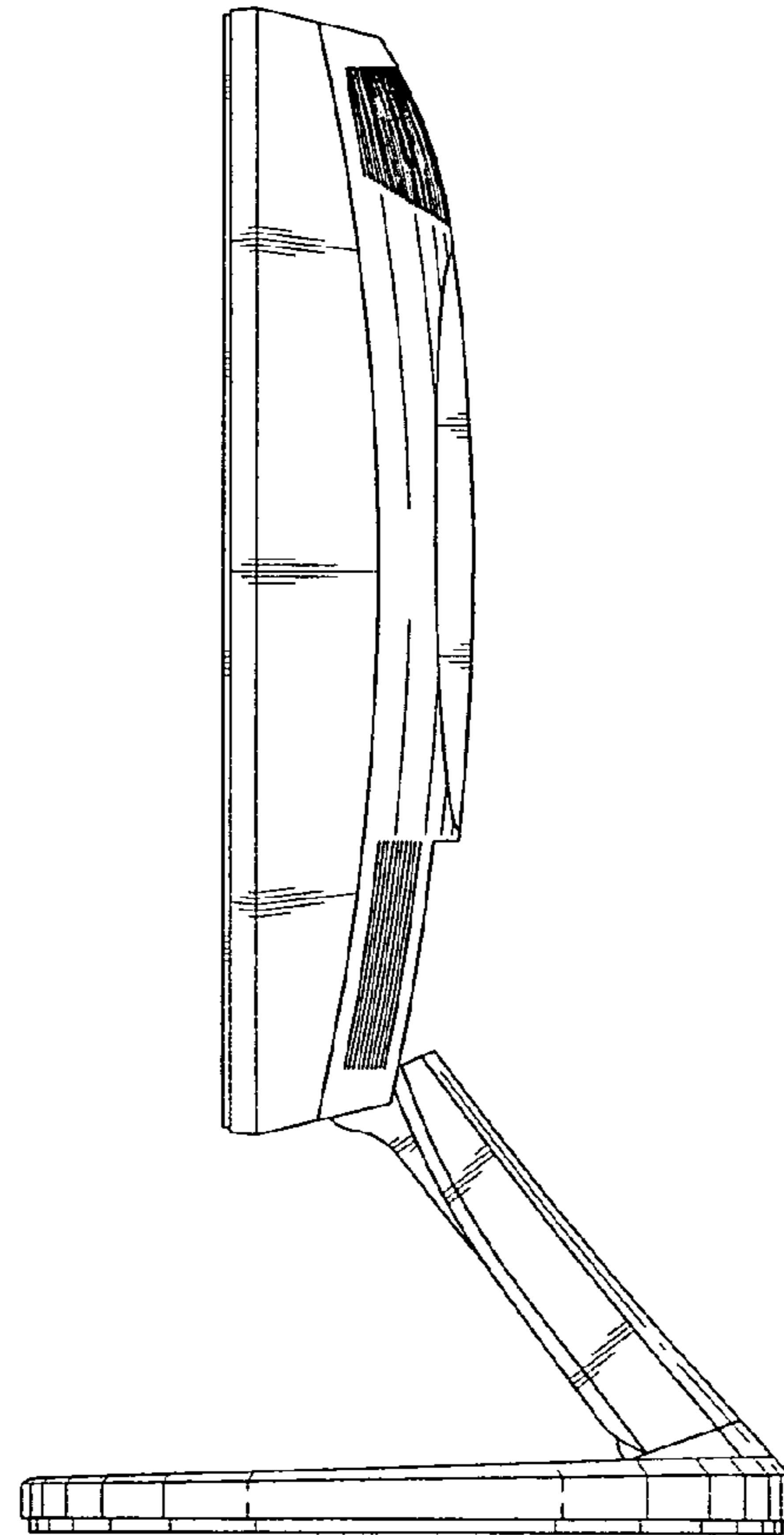


FIG.5

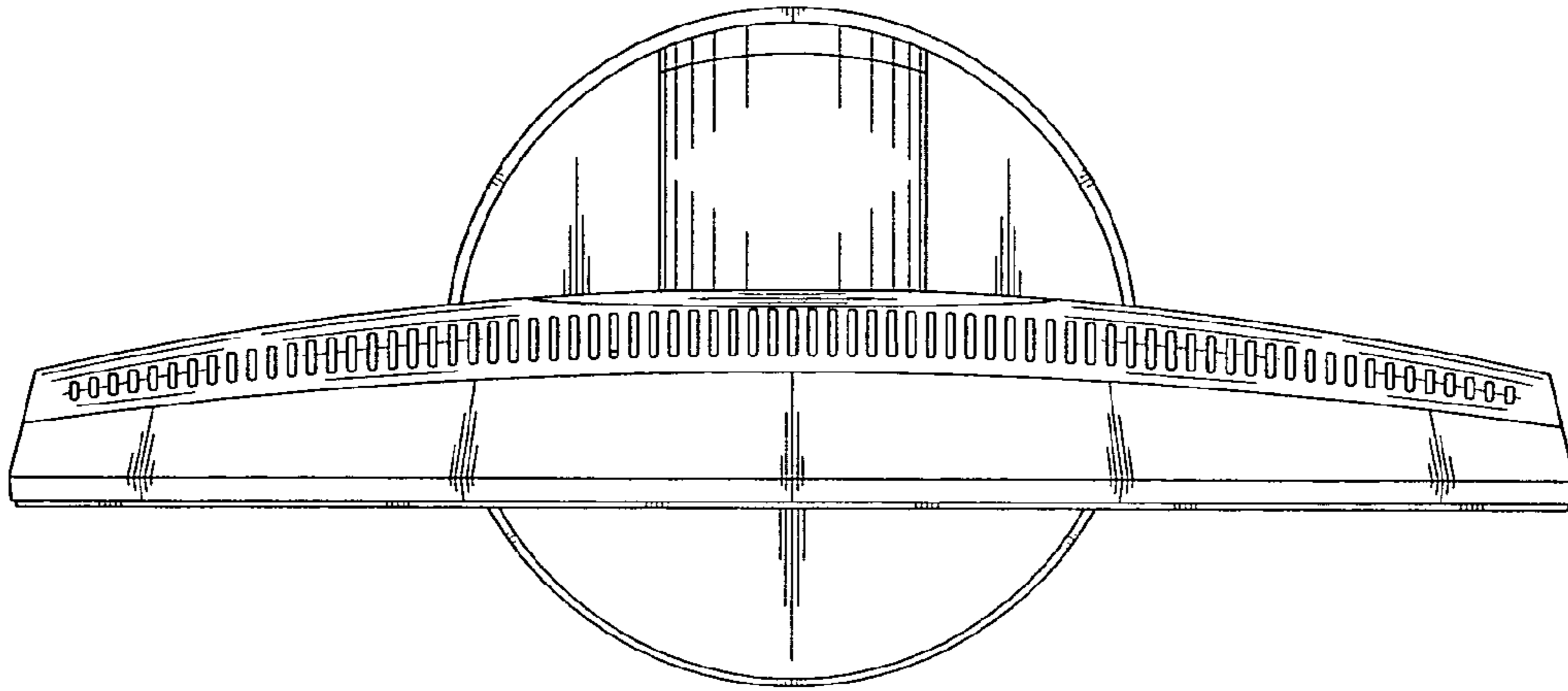


FIG. 6

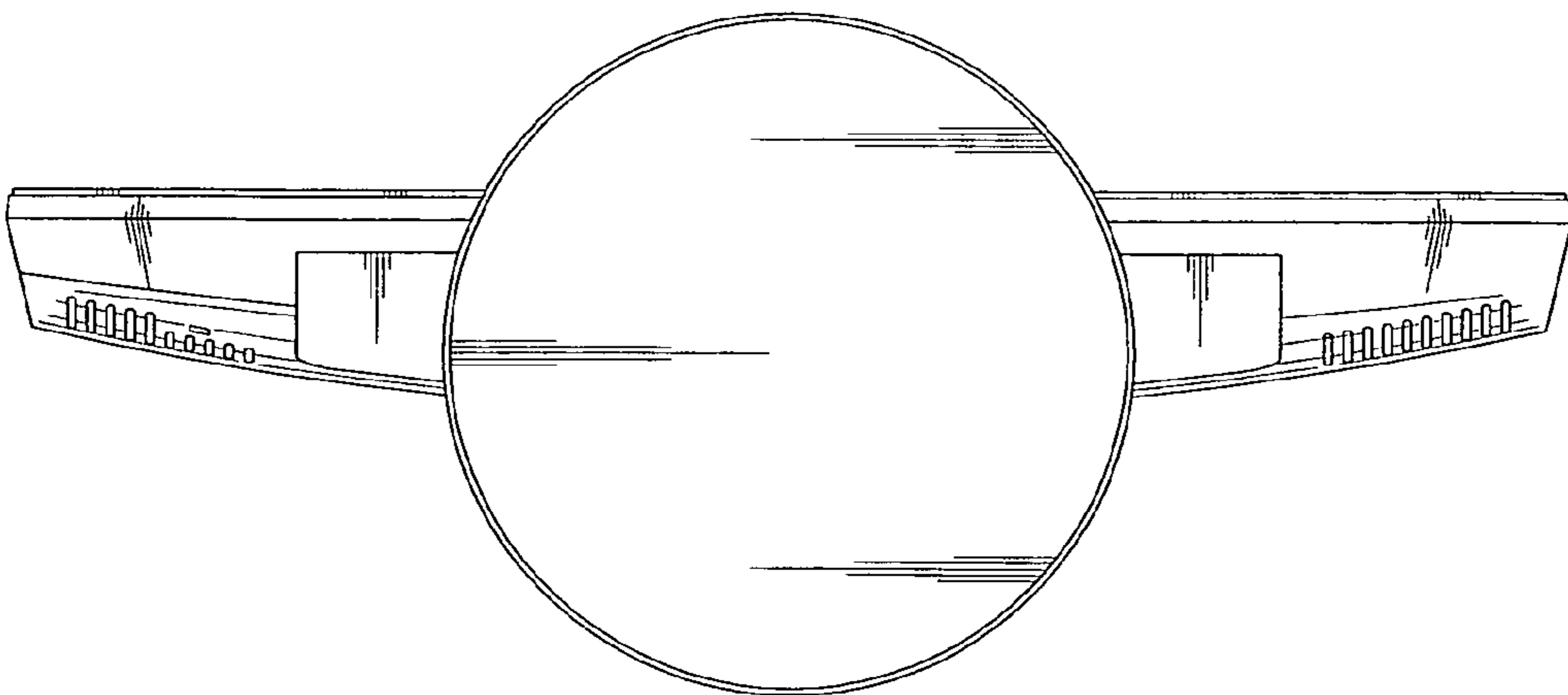


FIG. 7