

US00D592618S

(12) **United States Design Patent**  
**Lewis, II et al.**

(10) **Patent No.:** **US D592,618 S**  
(45) **Date of Patent:** **\*\* May 19, 2009**

(54) **ELECTRONIC EQUIPMENT CABINET**

5,639,150 A 6/1997 Anderson et al.

(75) Inventors: **Richard Evans Lewis, II**, Austin, TX (US); **James I. Lawrence**, Georgetown, TX (US); **Eugene Vicknair**, Santa Clara, CA (US); **Victor Lazzaro**, Discovery Bay, CA (US)

(Continued)

*Primary Examiner*—T. Chase Nelson  
*Assistant Examiner*—Ania K. Dworzecka  
(74) *Attorney, Agent, or Firm*—Tillman Wright, PLLC; James D. Wright; Chad D. Tillman

(73) Assignee: **Chatsworth Products, Inc.**, Westlake Village, CA (US)

(57) **CLAIM**

The ornamental design for an electronic equipment cabinet, as shown and described.

(\*\*) Term: **14 Years**

(21) Appl. No.: **29/320,824**

**DESCRIPTION**

(22) Filed: **Jul. 3, 2008**

**Related U.S. Application Data**

(60) Continuation of application No. 29/304,739, filed on Mar. 6, 2008, now Pat. No. Des. 584,252, which is a division of application No. 29/248,104, filed on Jul. 28, 2006, now abandoned.

FIG. 1 is a perspective view of the design for an electronic equipment cabinet in accordance with a first preferred embodiment of the present invention;

FIG. 2 is a front elevational view of the electronic equipment cabinet of FIG. 1;

FIG. 3 is a left elevational view of the electronic equipment cabinet of FIG. 1;

(51) **LOC (9) Cl.** ..... **13-99**

(52) **U.S. Cl.** ..... **D13/184**

(58) **Field of Classification Search** ..... D13/184, D13/163, 162, 199, 110; D14/300, 301, D14/302, 308, 310, 313, 240; D6/448, 432, D6/440, 446; 361/622, 679, 387-396, 724, 361/728, 736, 796; 174/374, 50, 58, 56, 174/67, 65 R; 220/308, 4.02  
See application file for complete search history.

FIG. 4 is a right elevational view of the electronic equipment cabinet of FIG. 1;

FIG. 5 is a top plan view of the electronic equipment cabinet of FIG. 1;

FIG. 6 is a perspective view of the design for an electronic equipment cabinet in accordance with a second preferred embodiment of the present invention;

FIG. 7 is a front elevational view of the electronic equipment cabinet of FIG. 6;

(56) **References Cited**

**U.S. PATENT DOCUMENTS**

3,247,312 A	4/1966	Alessi
D340,700 S	10/1993	Shukur et al.
D348,469 S	7/1994	Johnson et al.
5,460,441 A	10/1995	Hastings et al.
D366,247 S	1/1996	Mazura et al.
5,498,073 A	3/1996	Charbonneau et al.
D379,004 S	4/1997	Keijser et al.

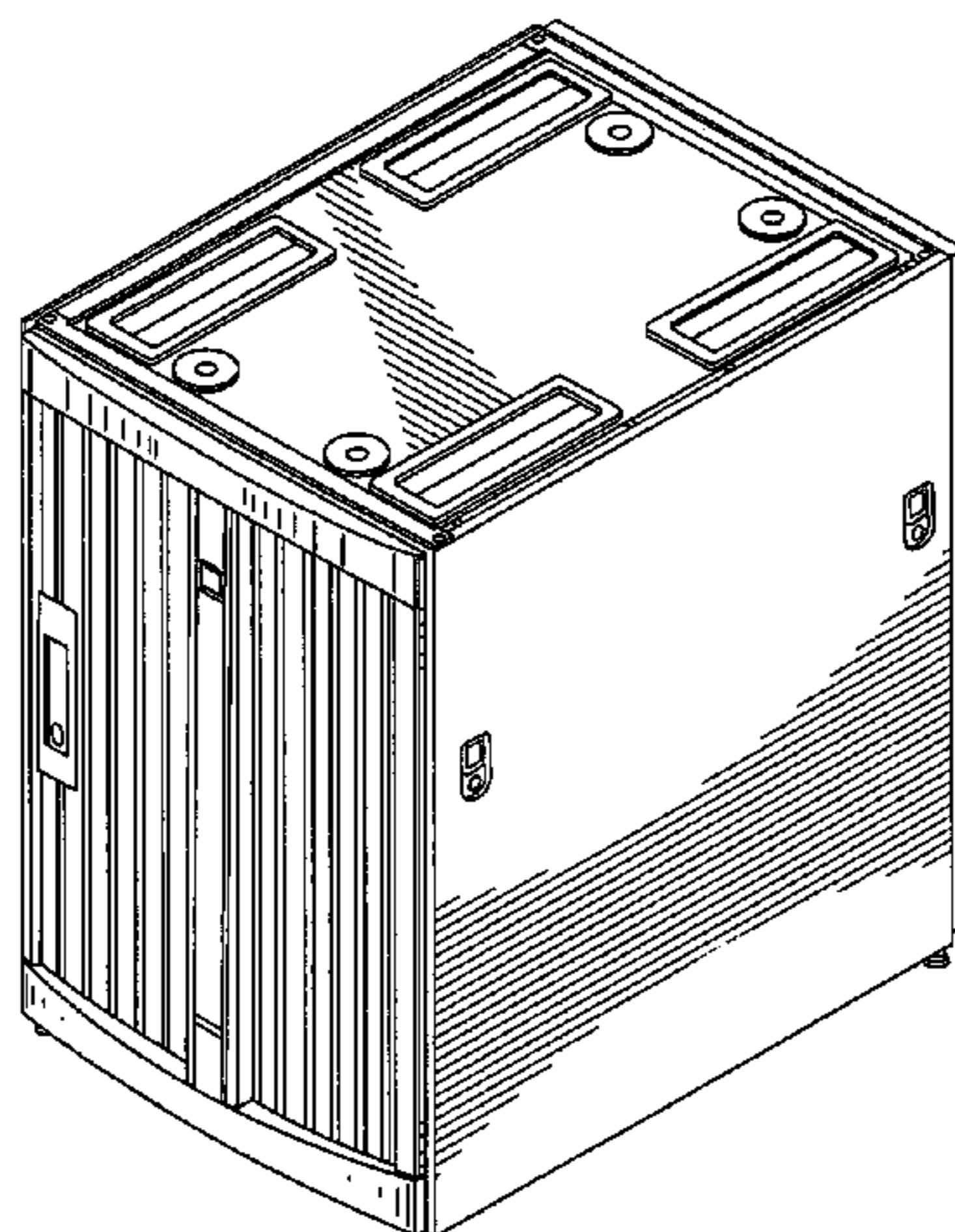
FIG. 8 is a left elevational view of the electronic equipment cabinet of FIG. 6;

FIG. 9 is a right elevational view of the electronic equipment cabinet of FIG. 6; and,

FIG. 10 is a top plan view of the electronic equipment cabinet of FIG. 6.

The broken lines depict portions of the electronic equipment cabinet that form no part of the claimed design.

**1 Claim, 10 Drawing Sheets**



# US D592,618 S

Page 2

## U.S. PATENT DOCUMENTS

D390,835 S	2/1998	Mayfield, III	D524,740 S	7/2006	Witte
5,806,945 A	9/1998	Anderson et al.	7,200,317 B2	4/2007	Reagan et al.
D402,639 S	12/1998	Baxter et al.	D543,161 S	5/2007	Stepputat
D407,385 S	3/1999	Belanger et al.	D555,641 S	11/2007	Levesque et al.
6,006,925 A	12/1999	Sevier	D578,538 S *	10/2008	Frank et al. .... D14/441
6,036,290 A	3/2000	Jancsek et al.	D580,195 S *	11/2008	Daino et al. .... D6/494
D427,454 S	7/2000	Munch et al.	D584,251 S *	1/2009	Lewis, II et al. .... D13/184
D432,098 S	10/2000	Nelson et al.	D584,252 S *	1/2009	Lewis, II et al. .... D13/184
D440,210 S	4/2001	Larsen et al.	2003/0020379 A1	1/2003	Larsen et al.
6,213,577 B1	4/2001	Rooyakkers et al.	2004/0190270 A1	9/2004	Aldag et al.
D441,728 S	5/2001	Fujikura et al.	2005/0259383 A1	11/2005	Ewing et al.
D457,147 S	5/2002	Bradley	2007/0210679 A1	9/2007	Adducci et al.
D459,614 S	7/2002	Grosfillex	2007/0210680 A1	9/2007	Appino et al.
6,454,646 B1	9/2002	Helgenberg et al.	2007/0210681 A1	9/2007	Adducci et al.
6,489,565 B1	12/2002	Krietzman et al.	2008/0017760 A1	1/2008	Larsen et al.
6,554,697 B1	4/2003	Koplin	2008/0180004 A1	8/2008	Martich et al.
D479,241 S	9/2003	Witte			

\* cited by examiner

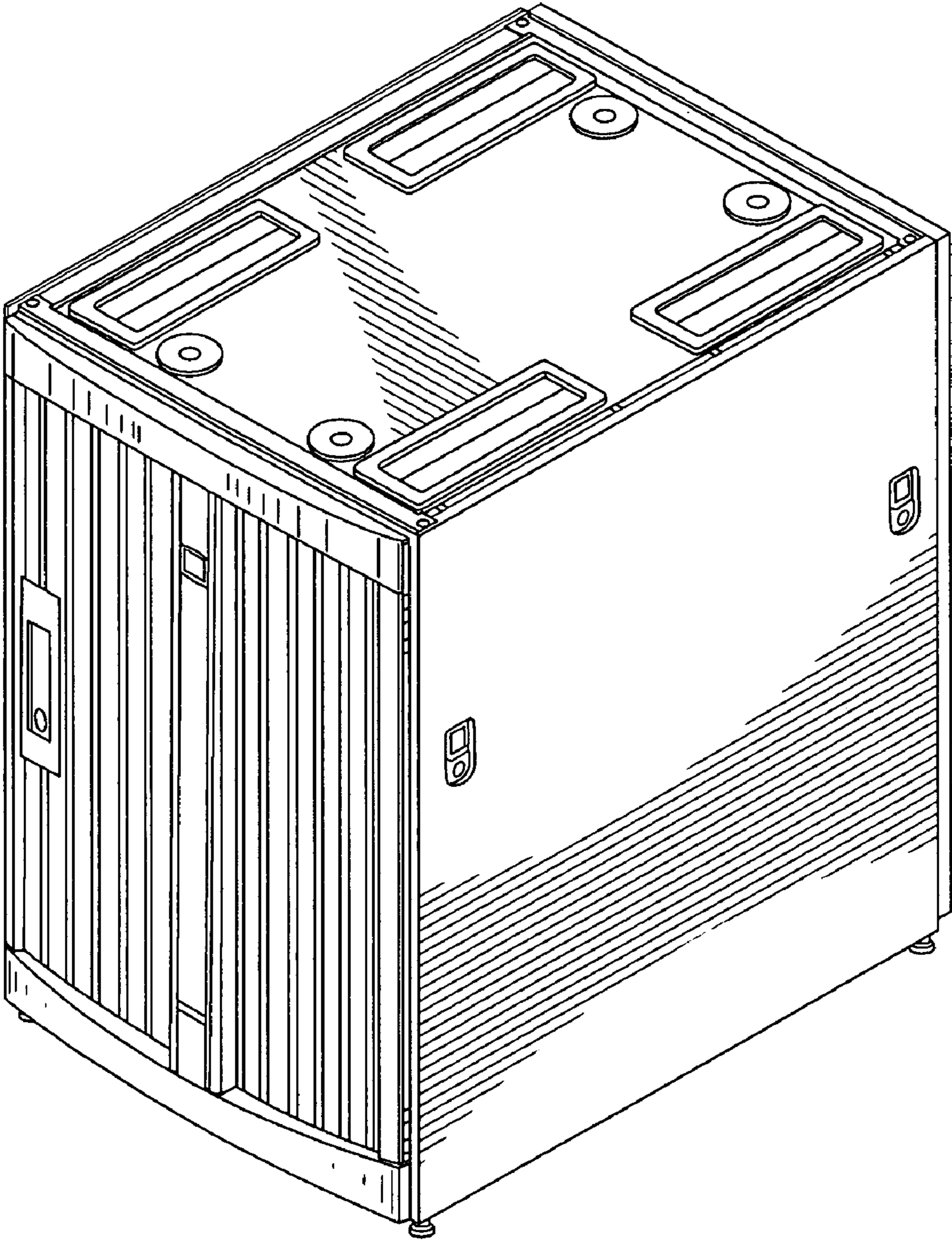


FIG. 1

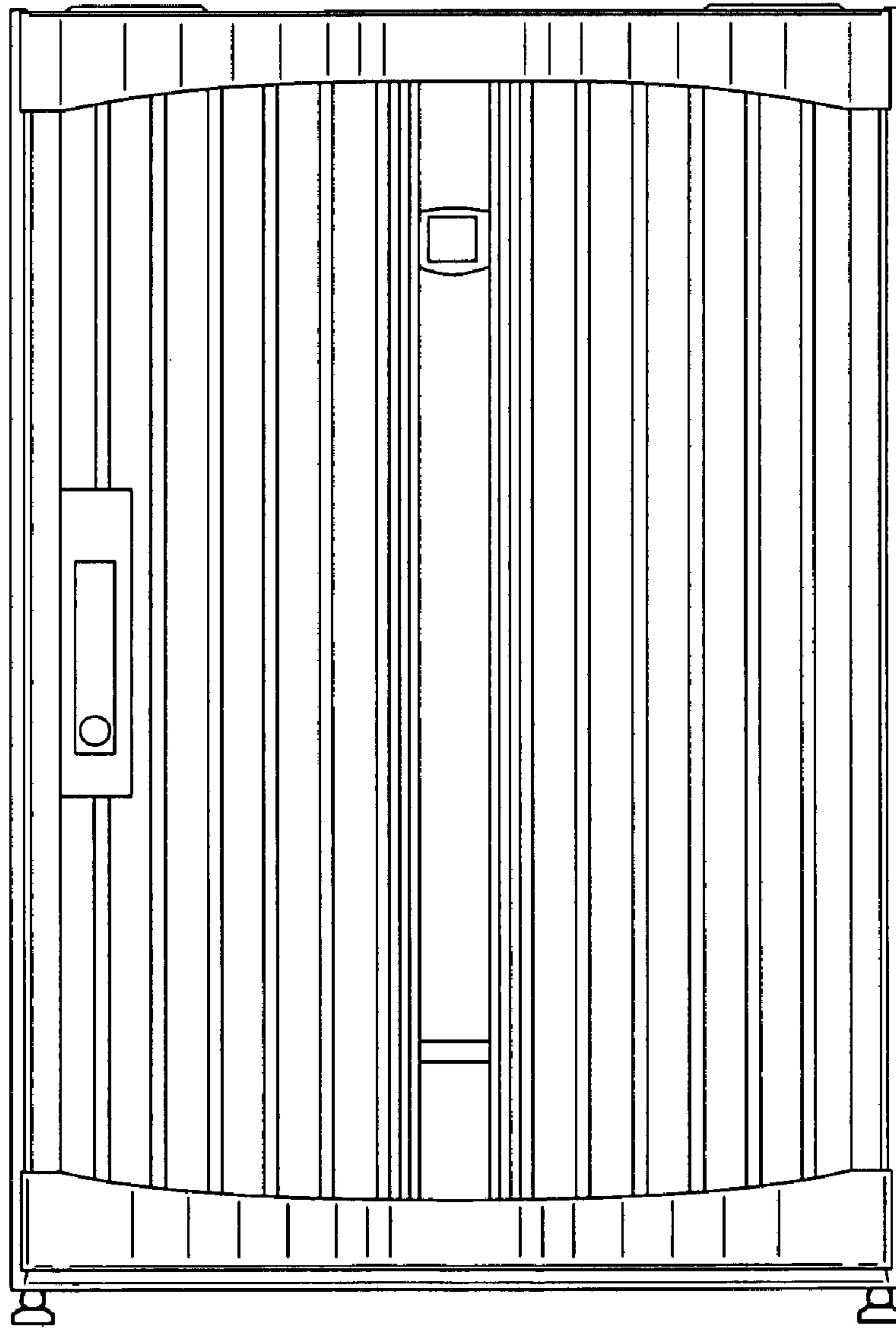


FIG. 2

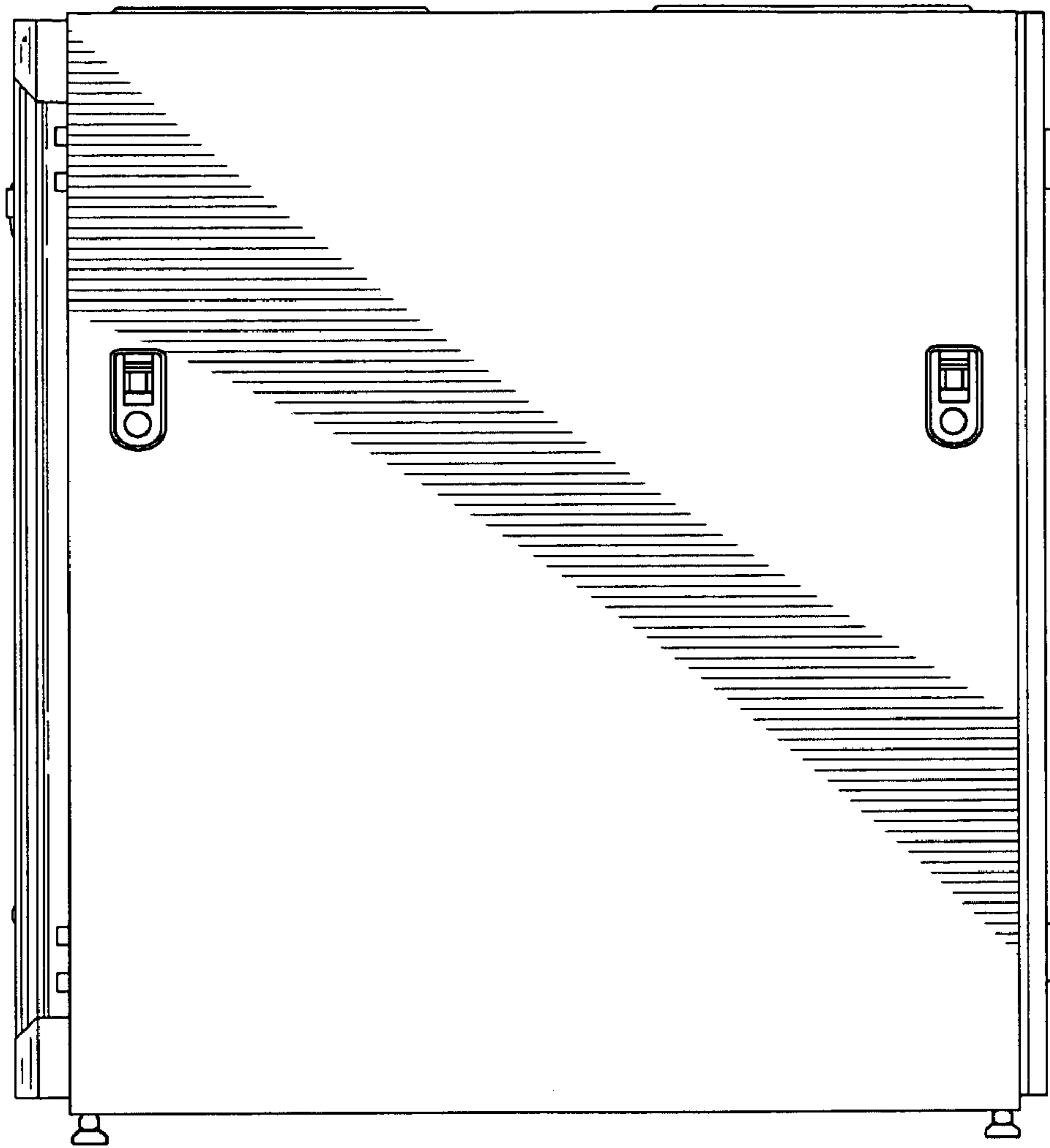


FIG. 3

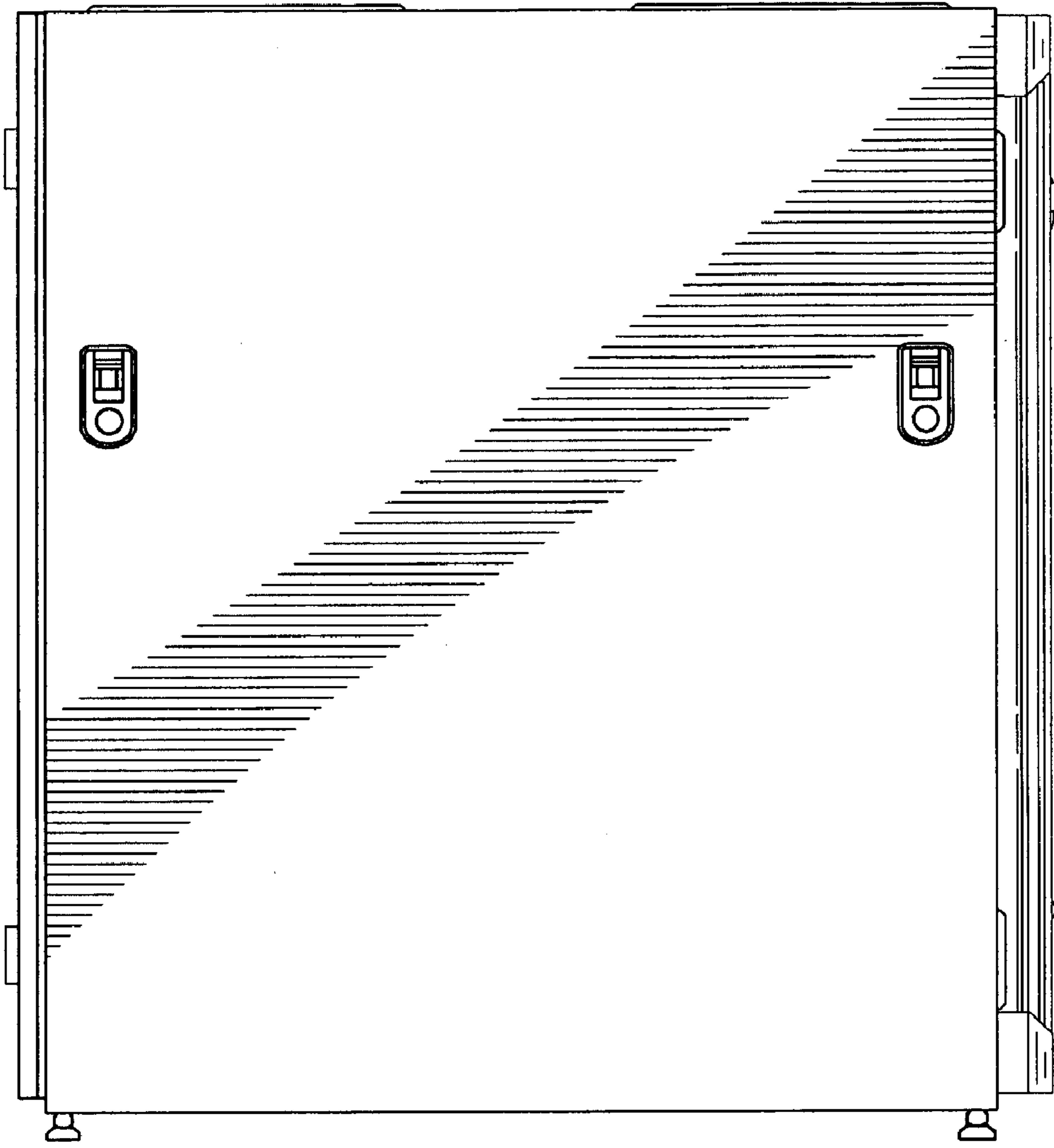


FIG. 4

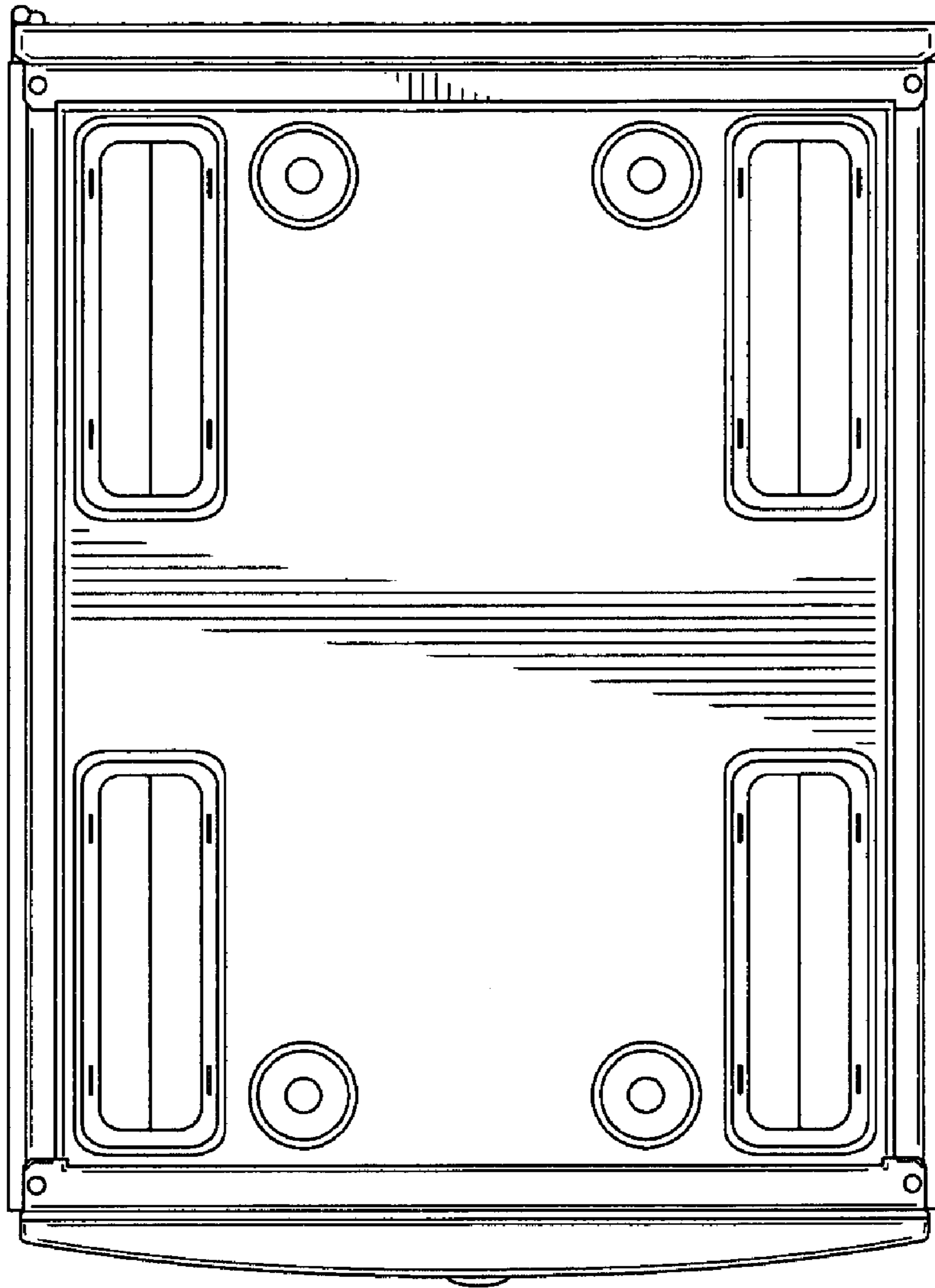


FIG. 5

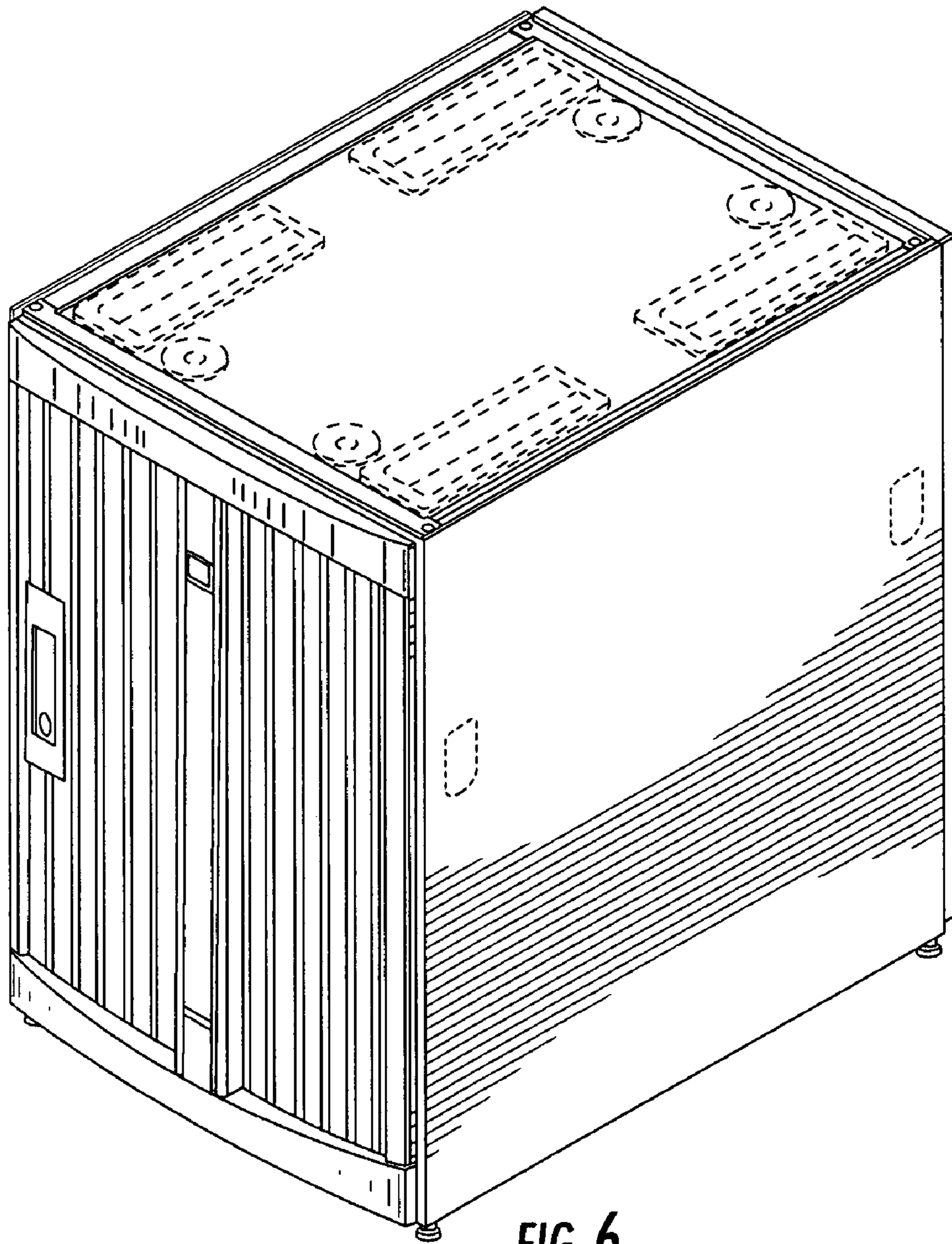
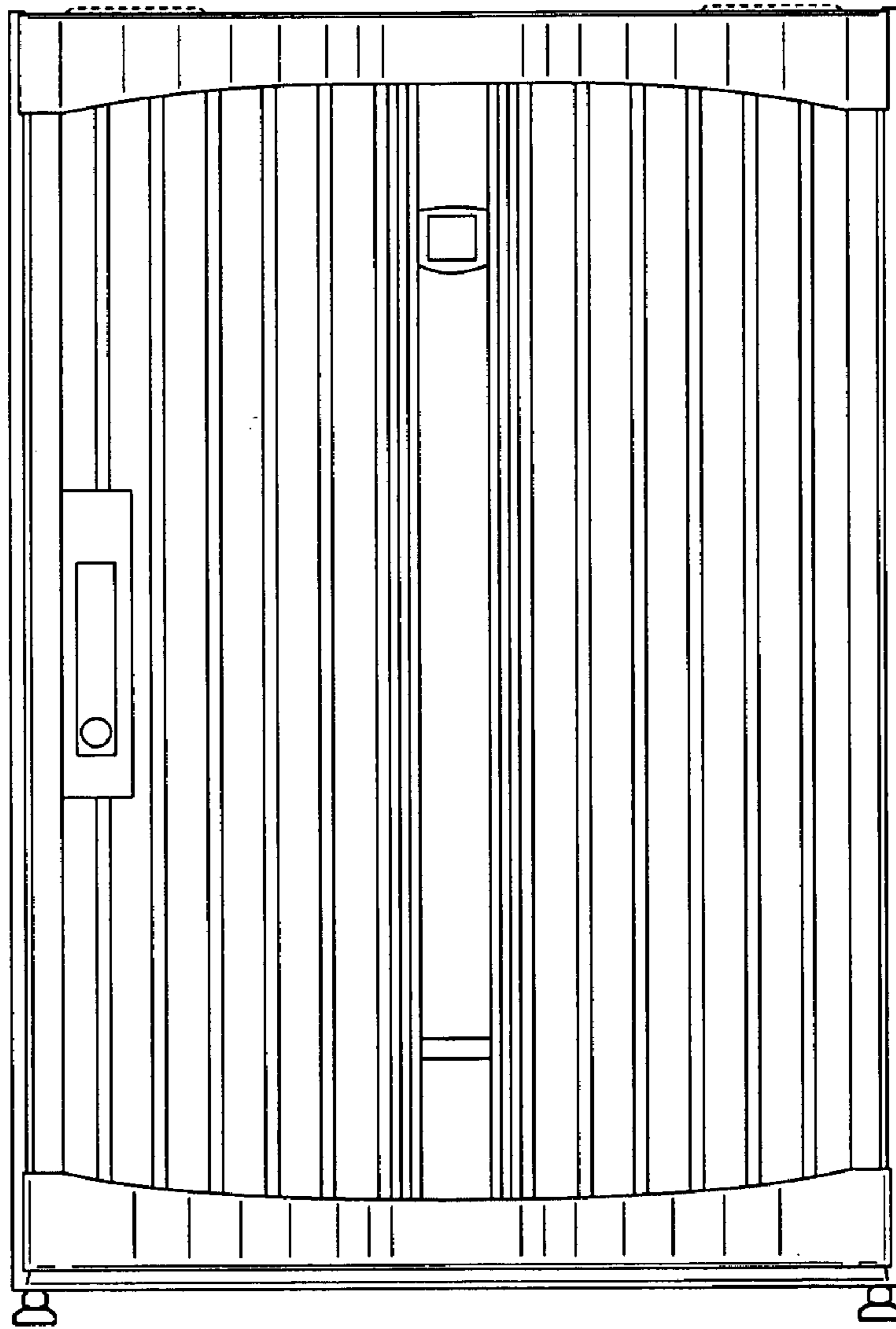


FIG. 6





**FIG. 7**

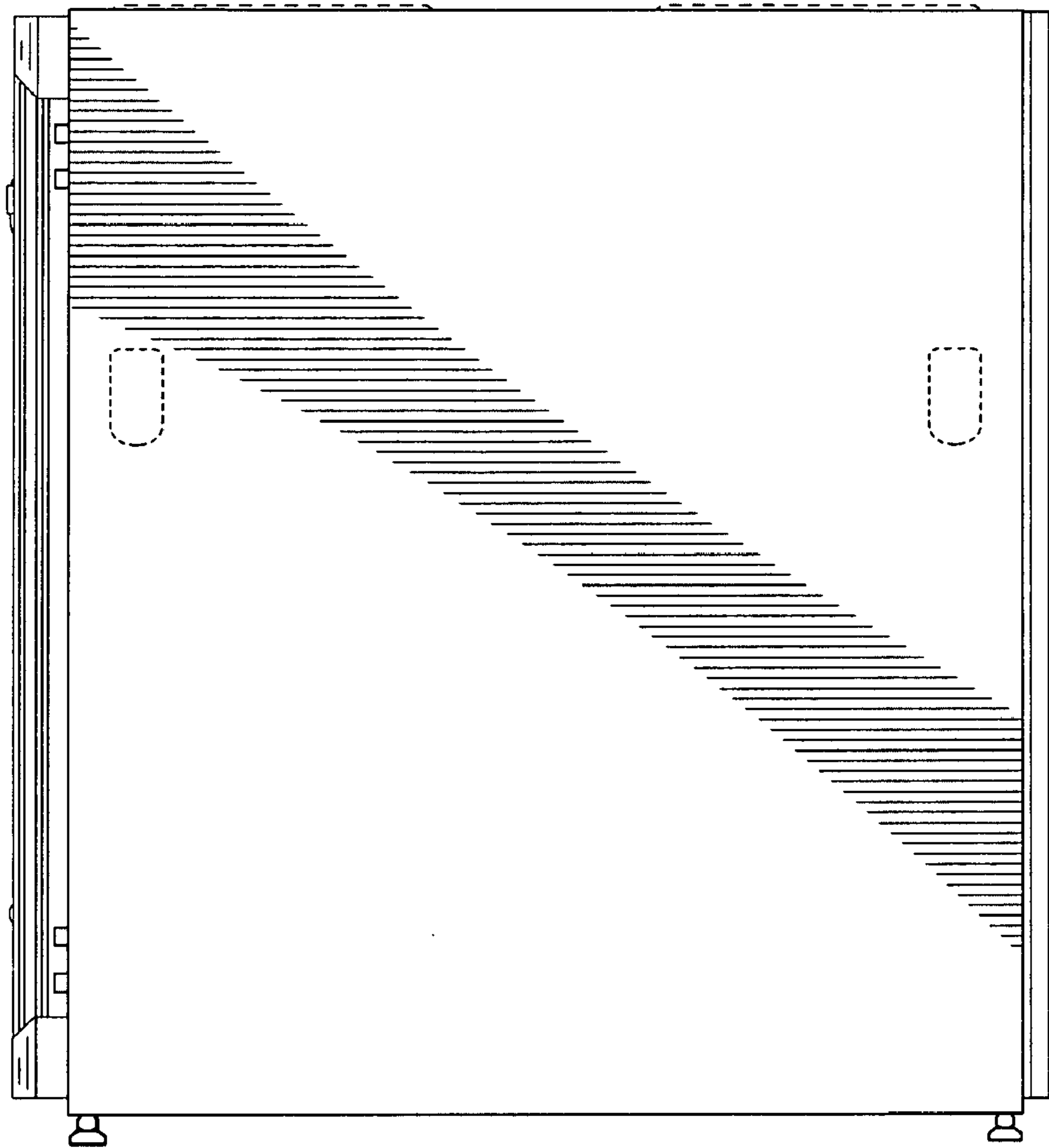


FIG. 8

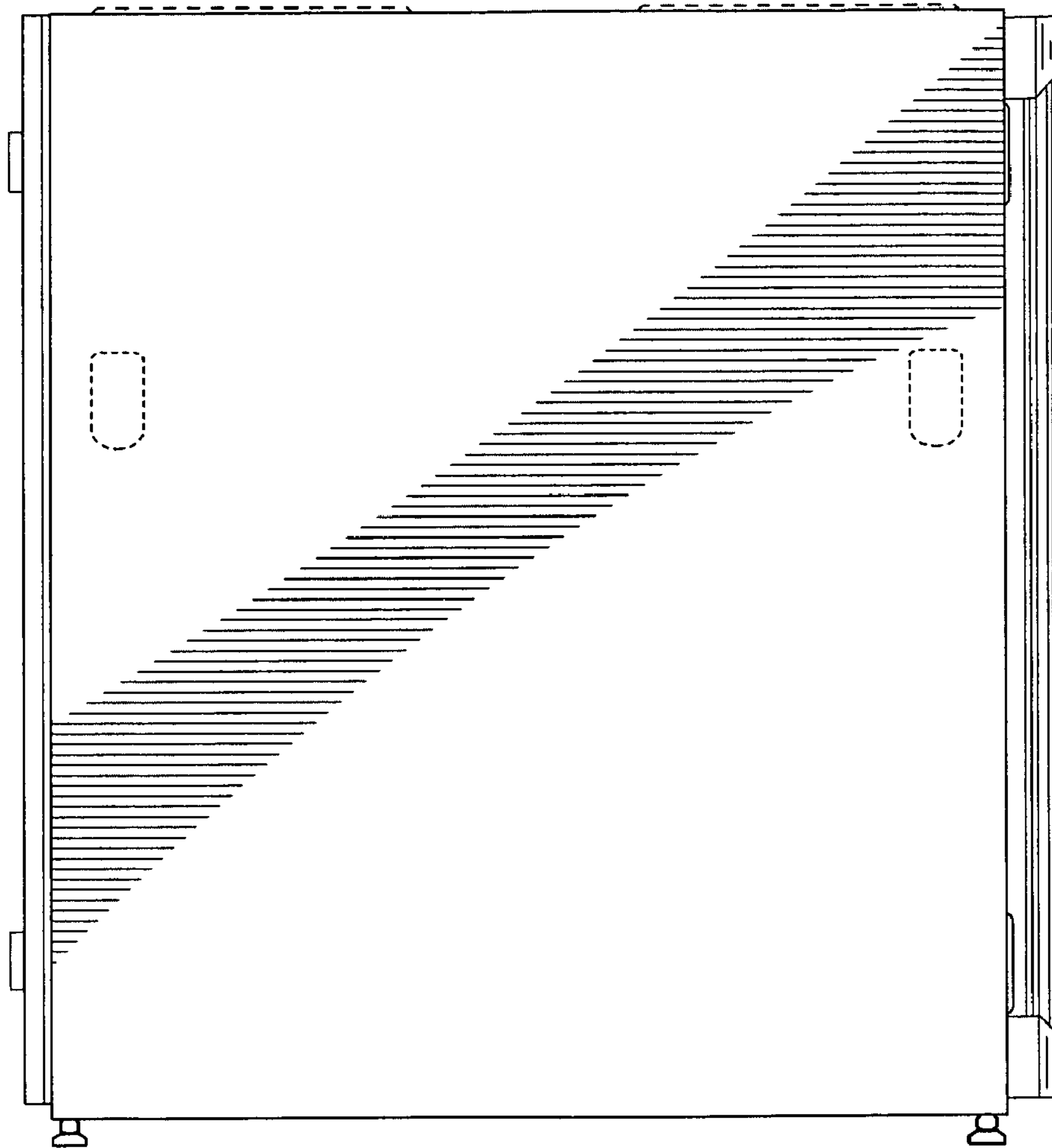
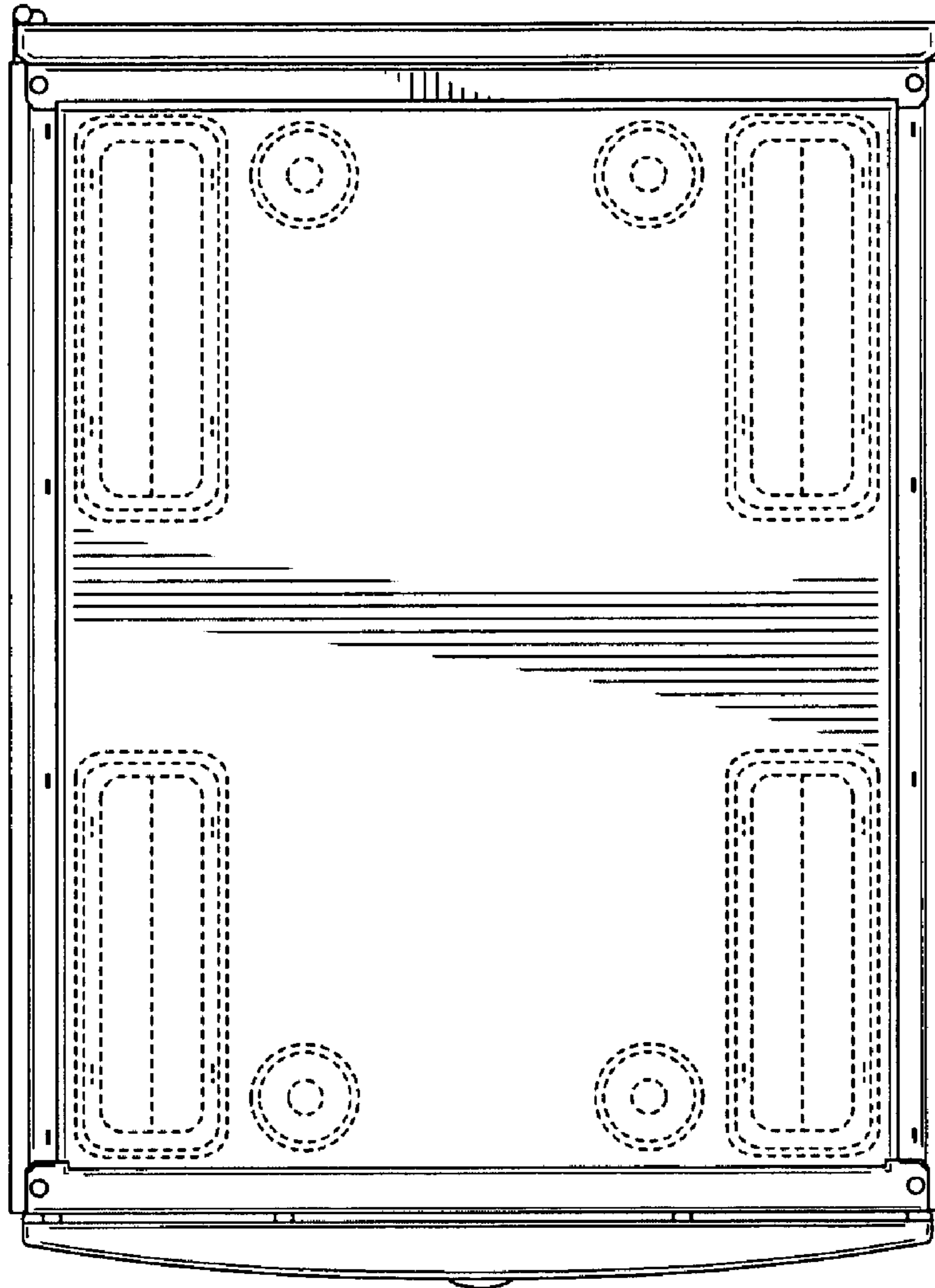


FIG. 9



**FIG. 10**