

US00D592615S

(12) **United States Design Patent**
Imai et al.

(10) **Patent No.:** **US D592,615 S**
(45) **Date of Patent:** **** May 19, 2009**

(54) **LIGHT-EMITTING DIODE FOR ILLUMINATING AN OBJECT**

(75) Inventors: **Sadato Imai**, Hachioji (JP); **Kazuo Funakubo**, Hachioji (JP)

(73) Assignee: **Citizen Electronics Co., Ltd.**, Yamanashi (JP)

(**) Term: **14 Years**

(21) Appl. No.: **29/319,232**

(22) Filed: **Jun. 5, 2008**

(30) **Foreign Application Priority Data**

Dec. 5, 2007 (JP) 2007-033316

(51) **LOC (9) Cl.** **13-03**

(52) **U.S. Cl.** **D13/180**

(58) **Field of Classification Search** D13/180;
D26/2; 257/79, 80, 81, 88, 89, 95, 98, 99,
257/100, 678; 313/483, 498, 500; 362/555,
362/800

See application file for complete search history.

(56) **References Cited**

U.S. PATENT DOCUMENTS

D524,260 S *	7/2006	Ishizaka et al.	D13/180
D528,672 S *	9/2006	Nagai et al.	D26/1
D535,262 S *	1/2007	Saito et al.	D13/180
7,262,438 B2 *	8/2007	Mok et al.	257/98
D572,670 S *	7/2008	Ono et al.	D13/180
D572,671 S *	7/2008	Okada et al.	D13/180
D576,970 S *	9/2008	Uemoto et al.	D13/180
D577,689 S *	9/2008	Yasuoka et al.	D13/180

2004/0079957 A1* 4/2004 Andrews et al. 257/100
2004/0201987 A1* 10/2004 Omata 362/230

* cited by examiner

Primary Examiner—Selina Sikder

(74) *Attorney, Agent, or Firm*—Browdy and Neimark, P.L.L.C.

(57) **CLAIM**

The ornamental design for a light-emitting diode for illuminating an object, as shown and described.

DESCRIPTION

FIG. 1 is a perspective view of light-emitting diode for illuminating an object in accordance with the present design, as viewed from front;

FIG. 2 is a front elevation view thereof, the rear elevation view being a mirror image;

FIG. 3 is a top plan view thereof;

FIG. 4 is a bottom plan view thereof; and,

FIG. 5 is a right side view thereof, the left side view being a mirror image.

The article is a surface-mount type light-emitting diode for illumination purpose and emits light from the circular-shaped central portion. Further, the dome portion of the central portion and the outer layer portion of the central portion, which is integrated with the dome portion, have light-transmitting characteristics.

The article is widely used in mobile phones as a light source for flash and in various other devices for illumination purpose, and further as a light source in generic illumination.

1 Claim, 2 Drawing Sheets

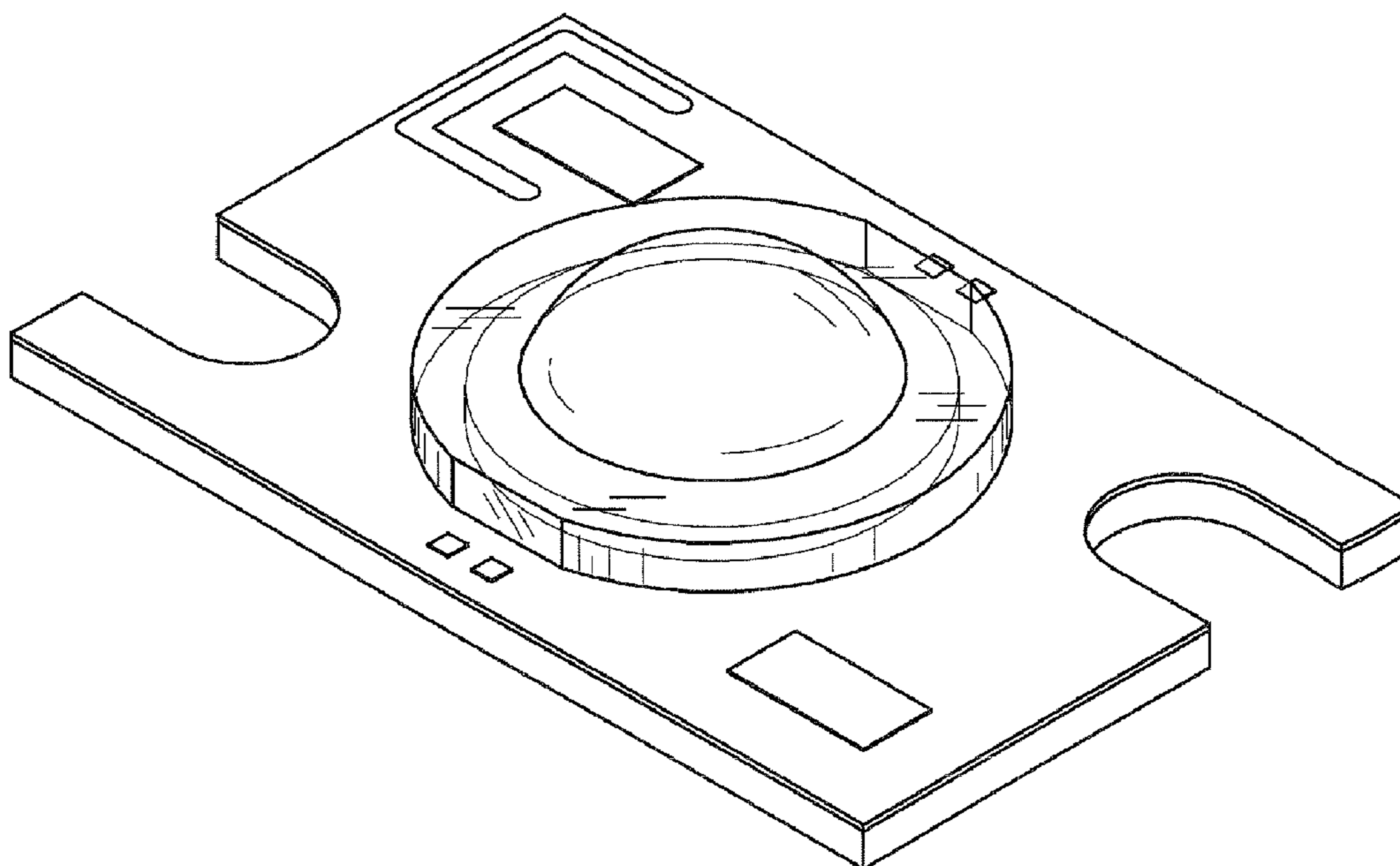


Fig. 1

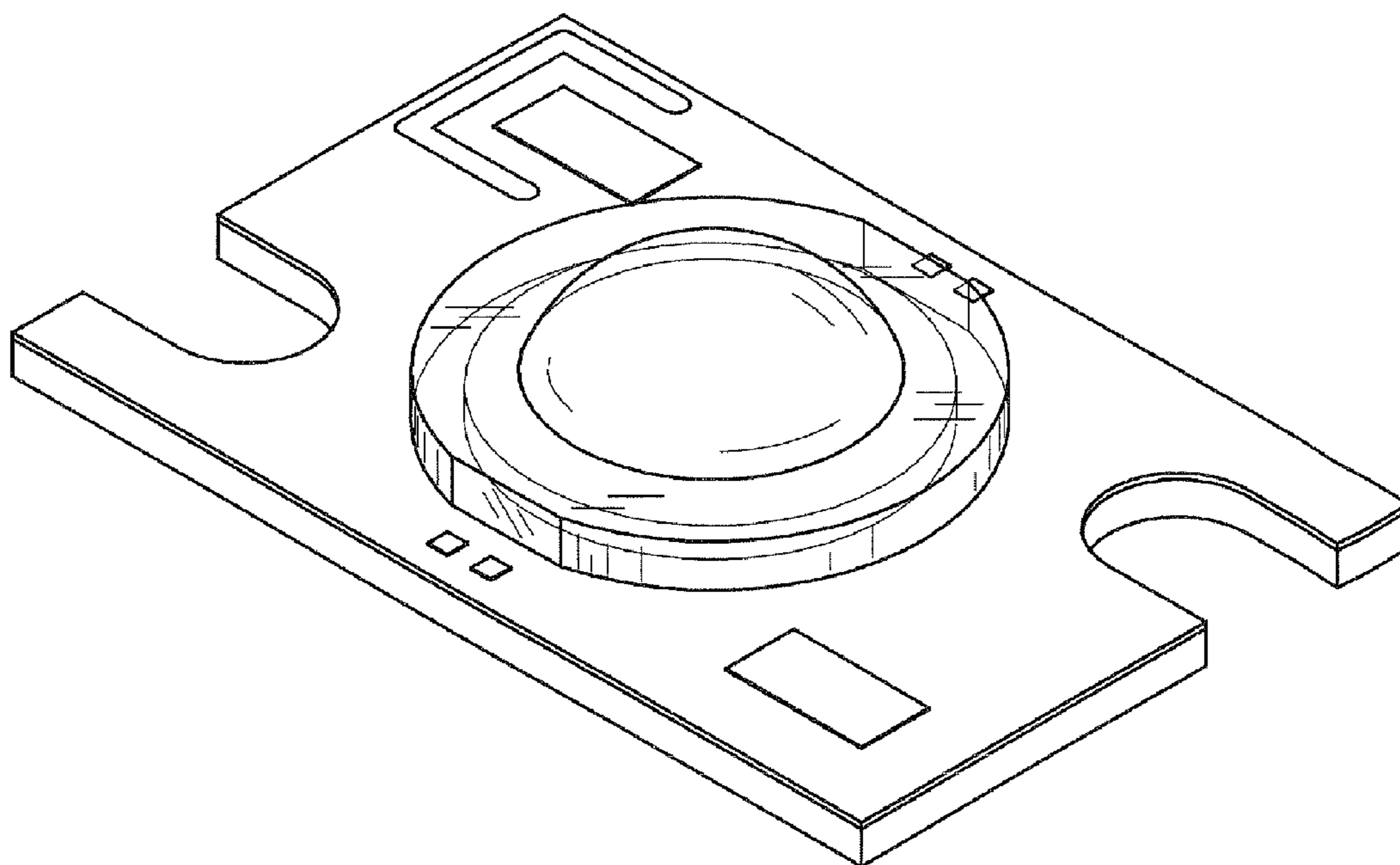


Fig. 2

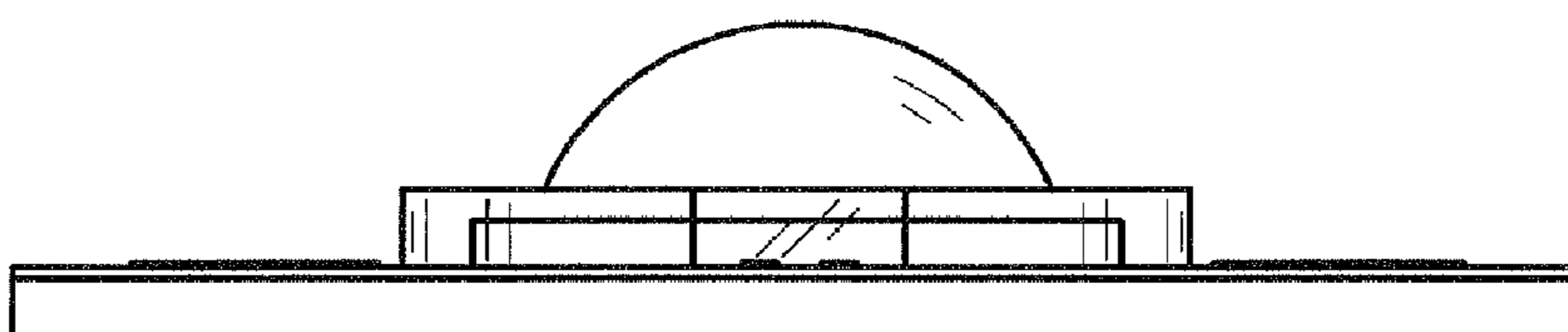


Fig. 3

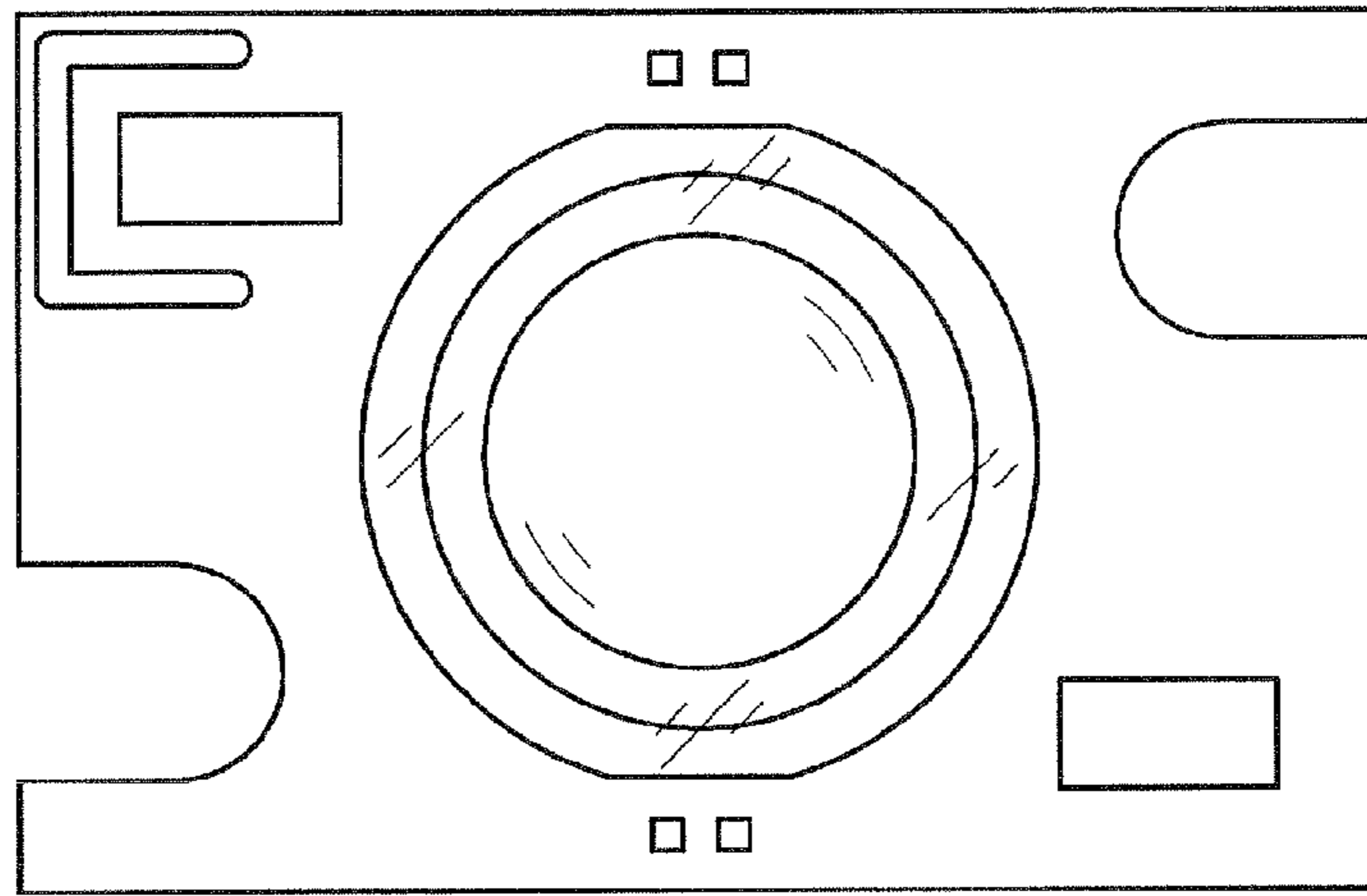


Fig. 4

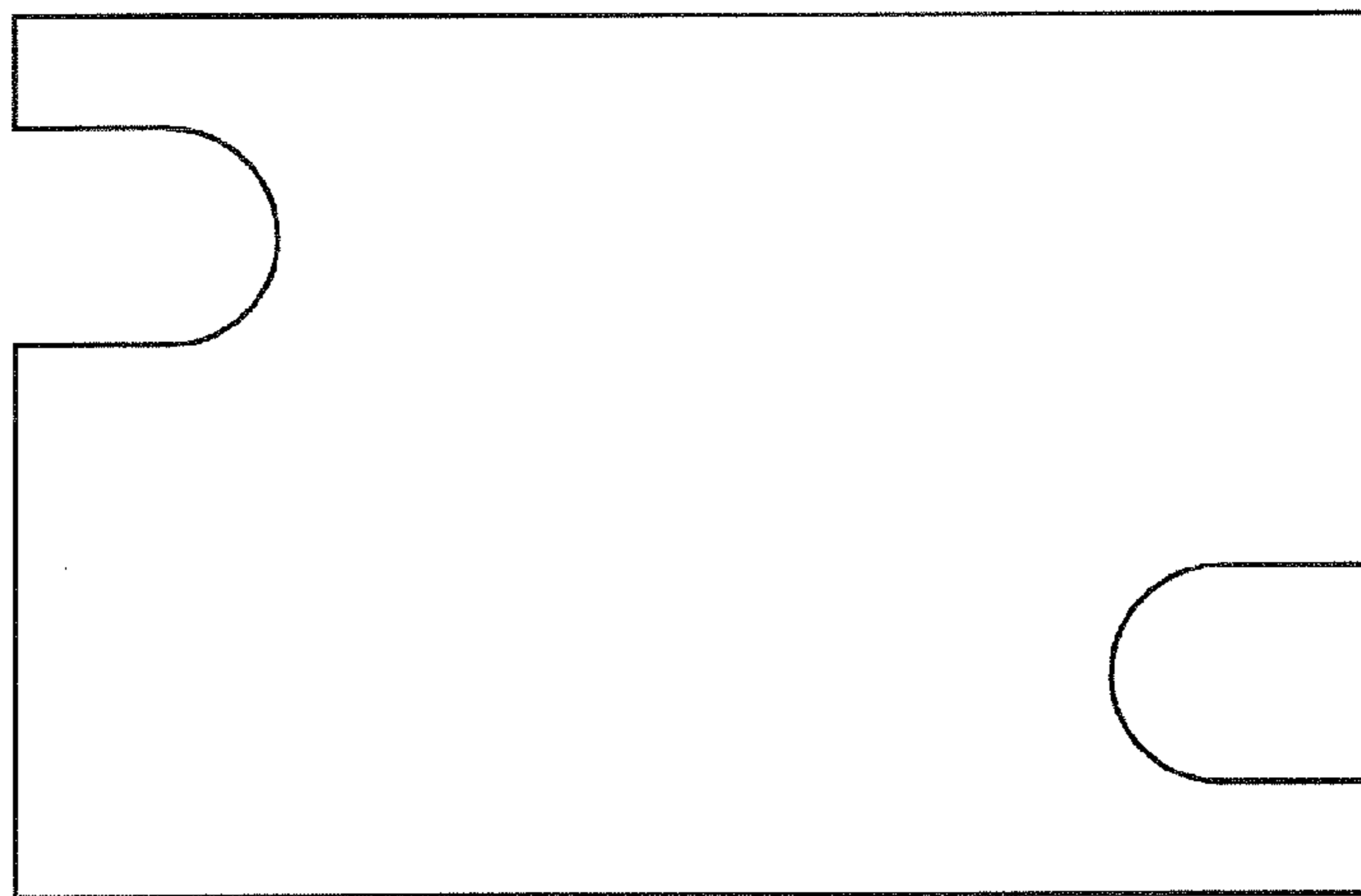


Fig. 5

