

US00D592614S

(12) **United States Design Patent**  
**Plonski et al.**

(10) **Patent No.:** **US D592,614 S**

(45) **Date of Patent:** **\*\* May 19, 2009**

(54) **HEAT SINK**

*Primary Examiner*—Selina Sikder

(74) *Attorney, Agent, or Firm*—Saidman DesignLaw Group

(75) Inventors: **Eran Plonski**, Québec (CA); **Sharath Kumar**, Québec (CA); **Eihab Baqui**, Québec (CA)

(57) **CLAIM**

The ornamental design for a heat sink, as shown and described.

(73) Assignee: **4187318 Canada Inc.** (CA)

(\*\*) Term: **14 Years**

**DESCRIPTION**

(21) Appl. No.: **29/320,010**

FIG. 1 is a perspective view of a first heat sink of the present design;

(22) Filed: **Jun. 18, 2008**

FIG. 2 is a bottom view of the heat sink of FIG. 1;

(51) **LOC (9) Cl.** ..... **13-03**

FIG. 3 is a top view of the heat sink of FIG. 1;

(52) **U.S. Cl.** ..... **D13/179**

FIG. 4 is a right side view of the heat sink of FIG. 1, the left side view of the heat sink of FIG. 1 being a mirror image thereof;

(58) **Field of Classification Search** ..... D13/179;  
165/80.3, 104.33, 151, 122, 185; 257/706,  
257/707, 718–722; 361/687, 695, 697, 700,  
361/702, 704, 709, 711, 719

FIG. 5 is a front view of the heat sink of FIG. 1, the rear view of the heat sink of FIG. 1 being identical thereto;

See application file for complete search history.

FIG. 6 is a perspective view of a second heat sink of the present design;

(56) **References Cited**

FIG. 7 is a bottom view of the heat sink of FIG. 6;

**U.S. PATENT DOCUMENTS**

FIG. 8 is a top view of the heat sink of FIG. 6;

4,823,869	A *	4/1989	Arnold et al.	165/185
5,726,495	A *	3/1998	Aihara et al.	257/722
D398,295	S *	9/1998	Chang	D13/179
6,175,499	B1 *	1/2001	Adams et al.	361/704
6,741,470	B2 *	5/2004	Isenburg	361/704
6,829,144	B1 *	12/2004	Stutzman et al.	361/704
2002/0185269	A1 *	12/2002	Sato	165/185
2003/0103332	A1 *	6/2003	Sopko et al.	361/704
2003/0192672	A1 *	10/2003	Lee et al.	

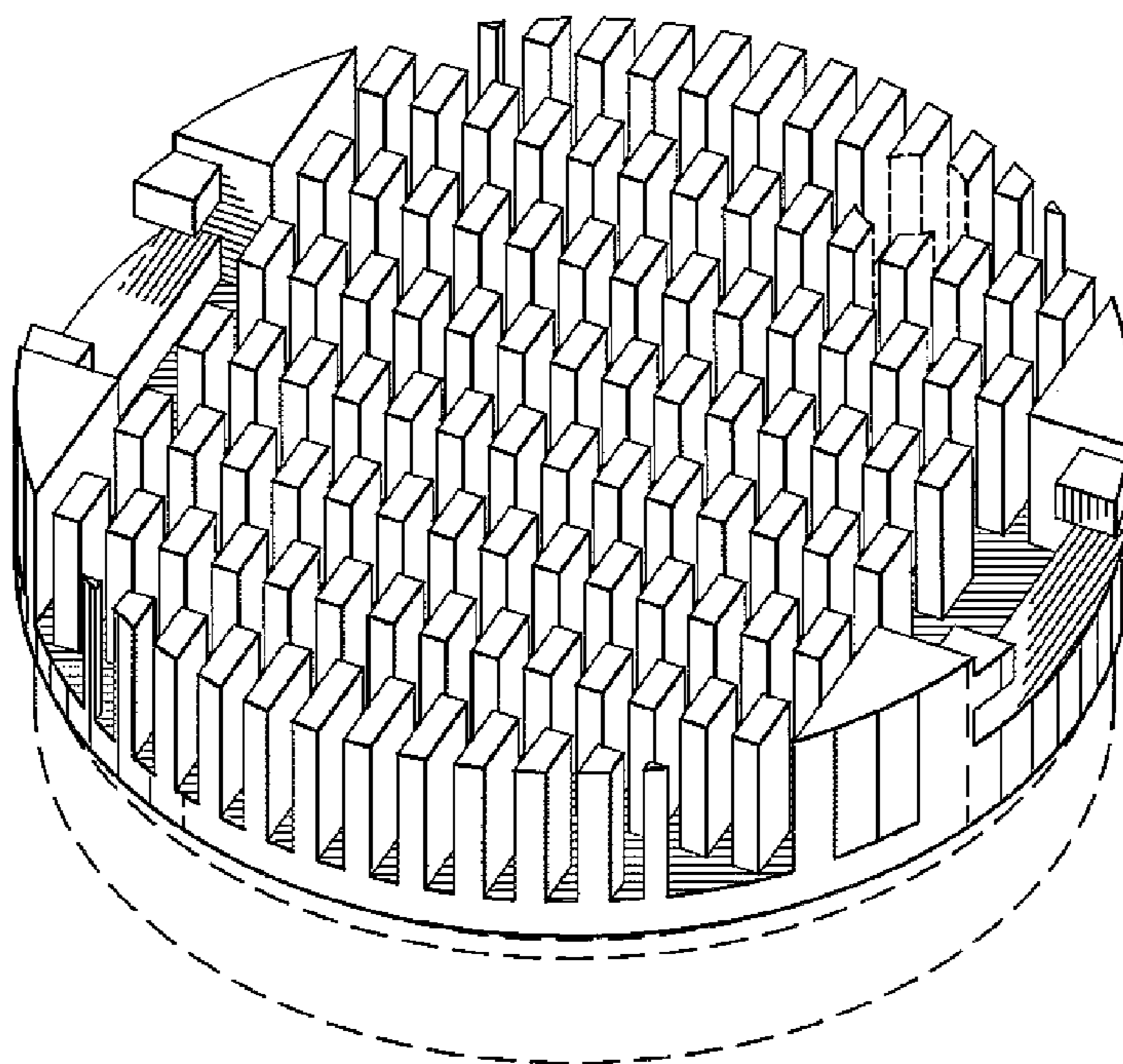
FIG. 9 is a right side view of the heat sink of FIG. 6, the left side view of the heat sink of FIG. 6 being a mirror image thereof; and,

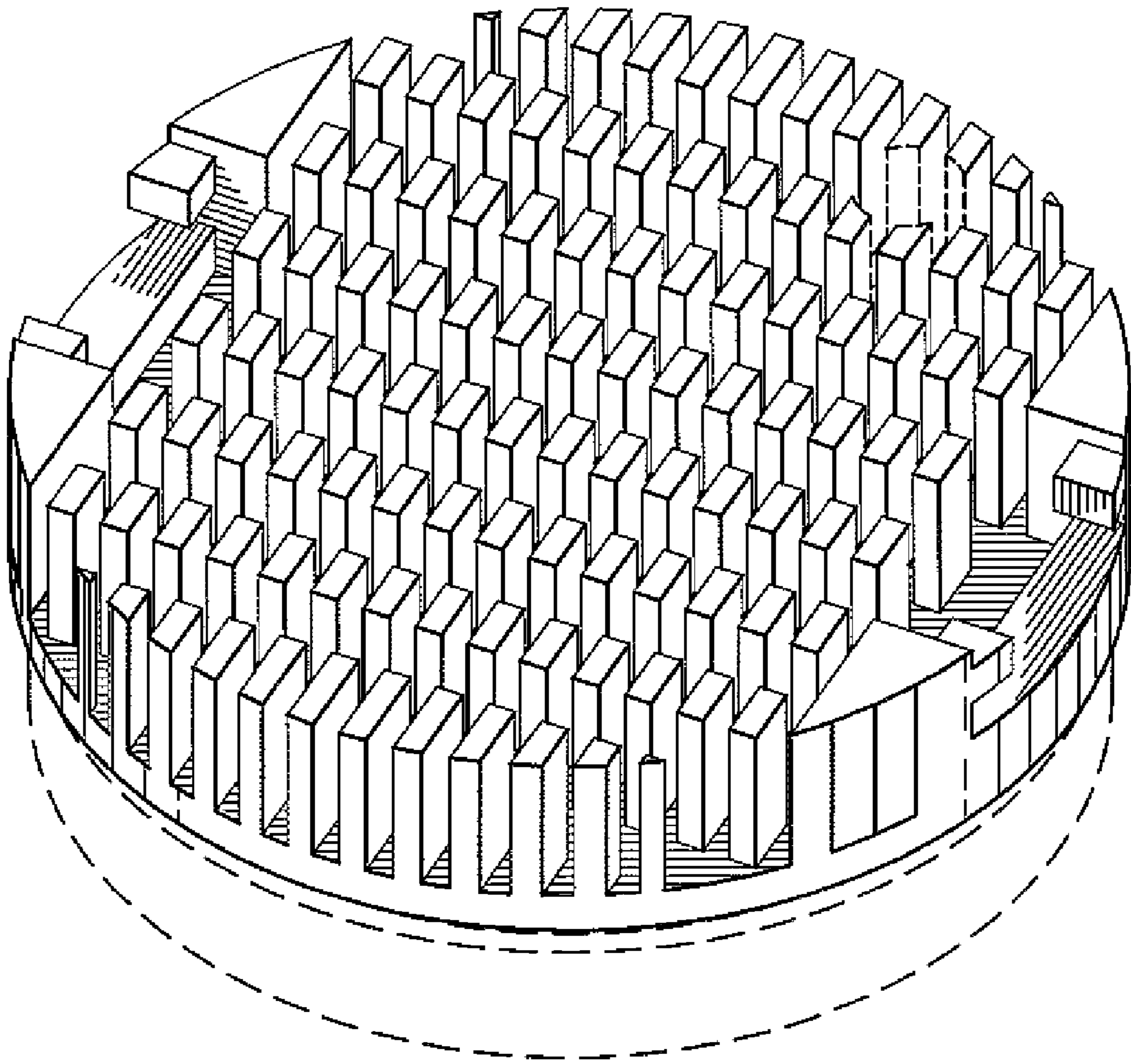
FIG. 10 is a front view of the heat sink of FIG. 6, the rear view of the heat sink of FIG. 6 being identical thereto.

Any parts shown in broken lines form no part of the claimed design.

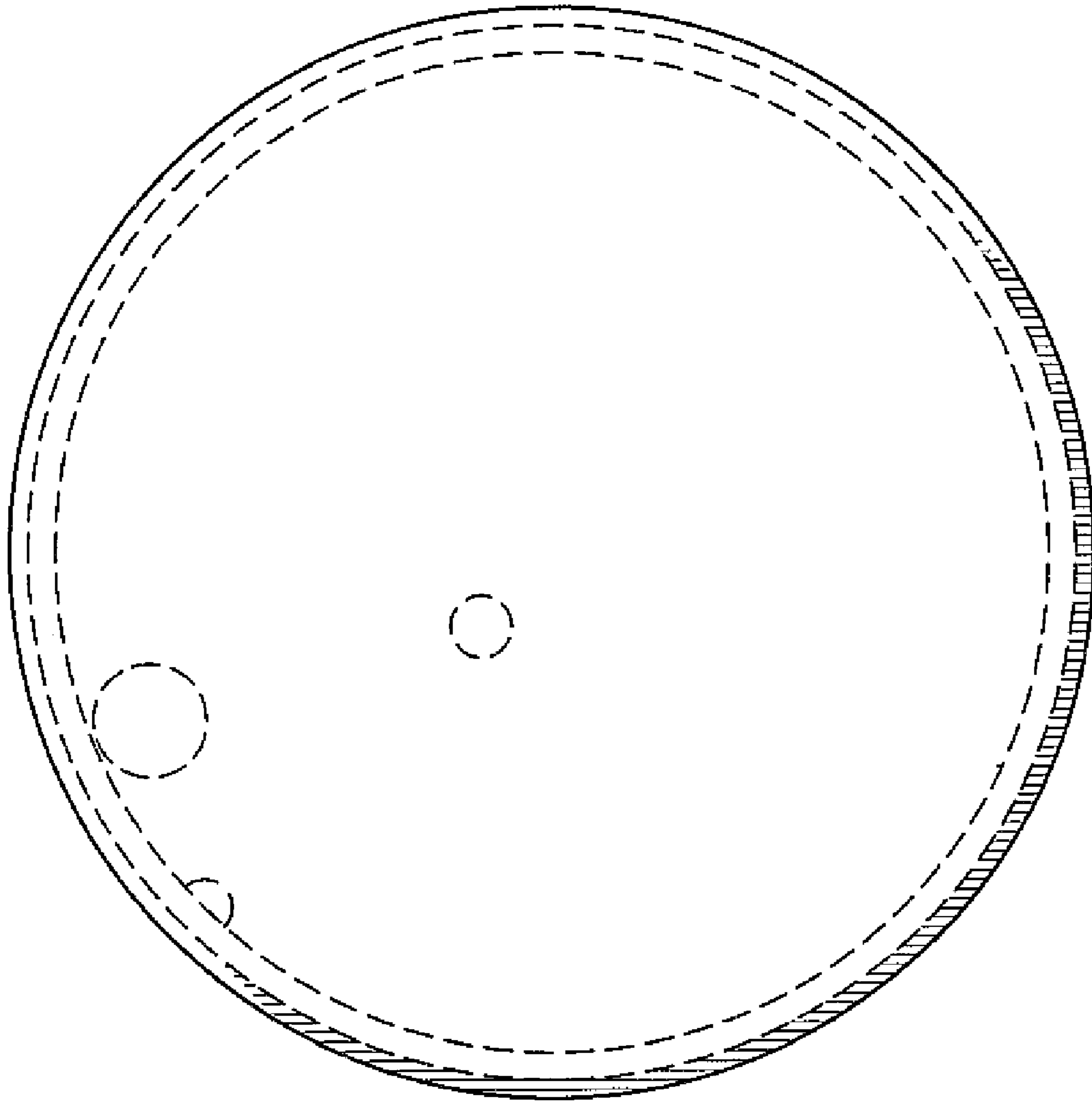
\* cited by examiner

**1 Claim, 8 Drawing Sheets**

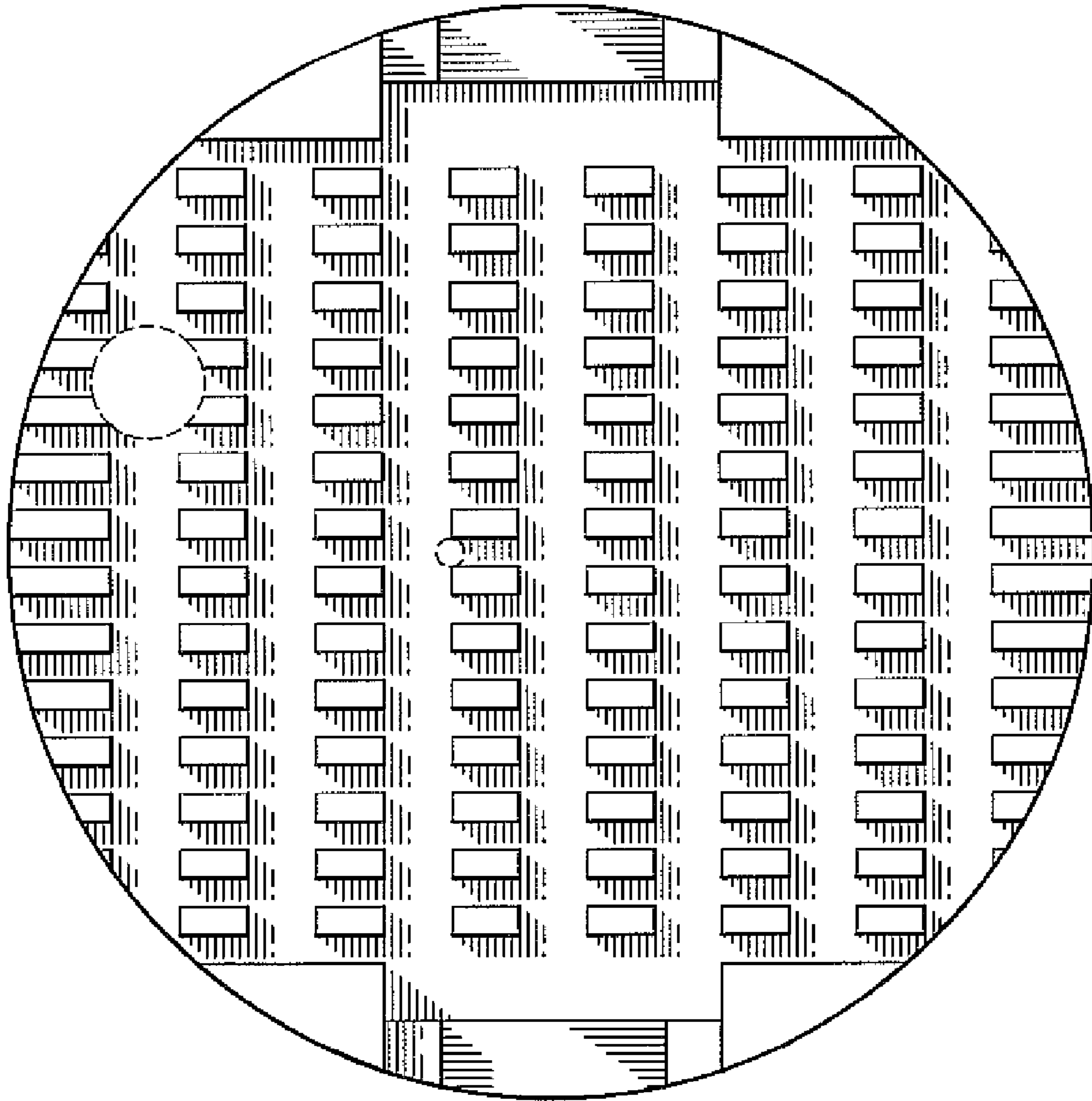




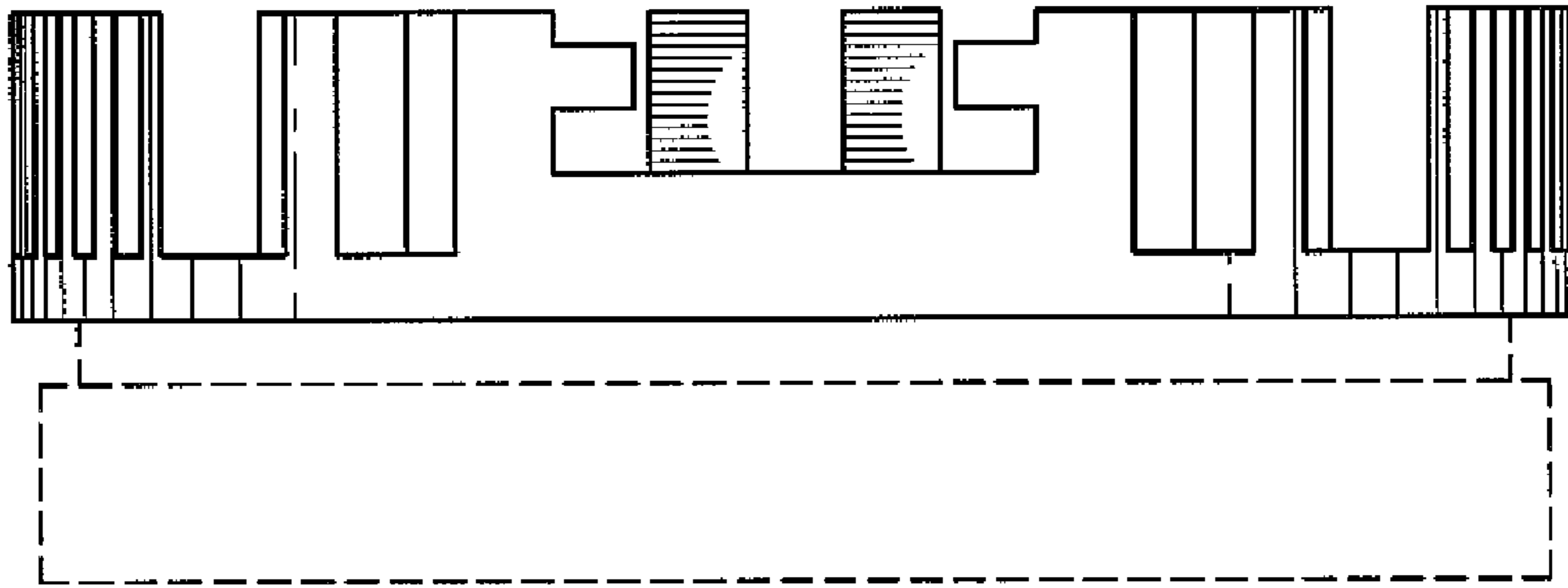
*Fig. 1*



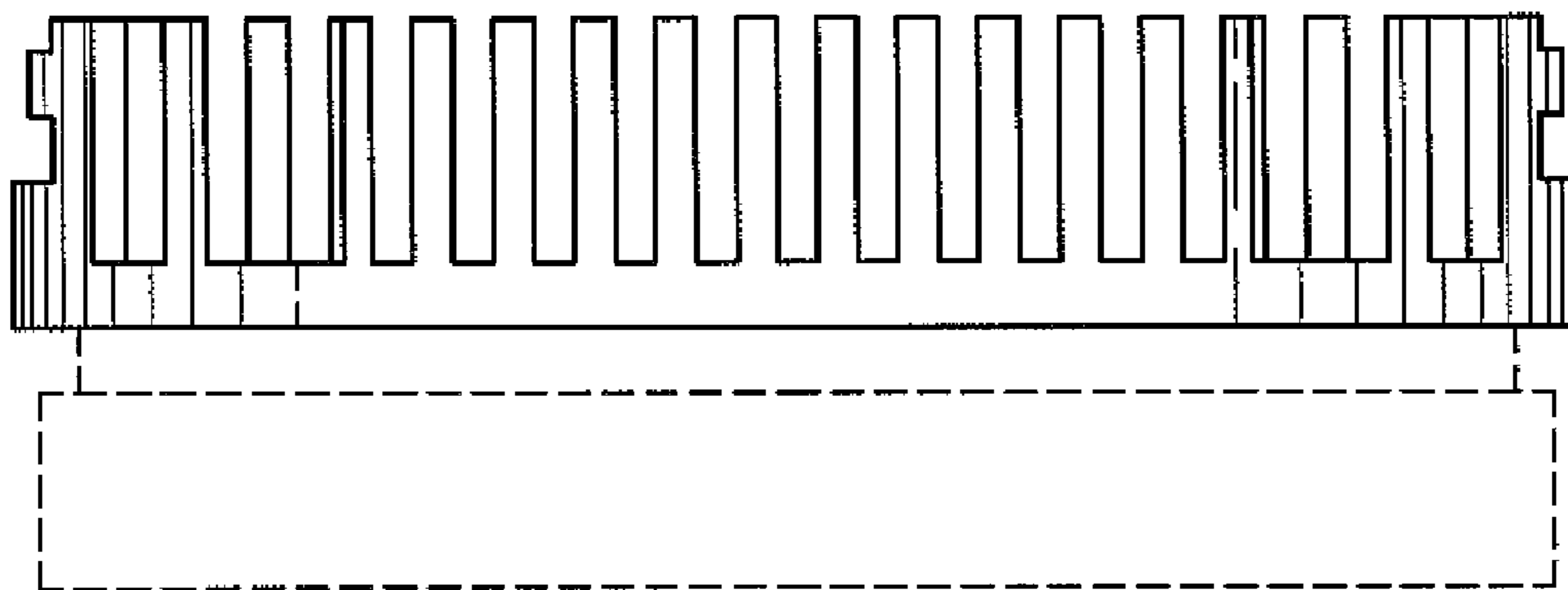
*Fig. 2*



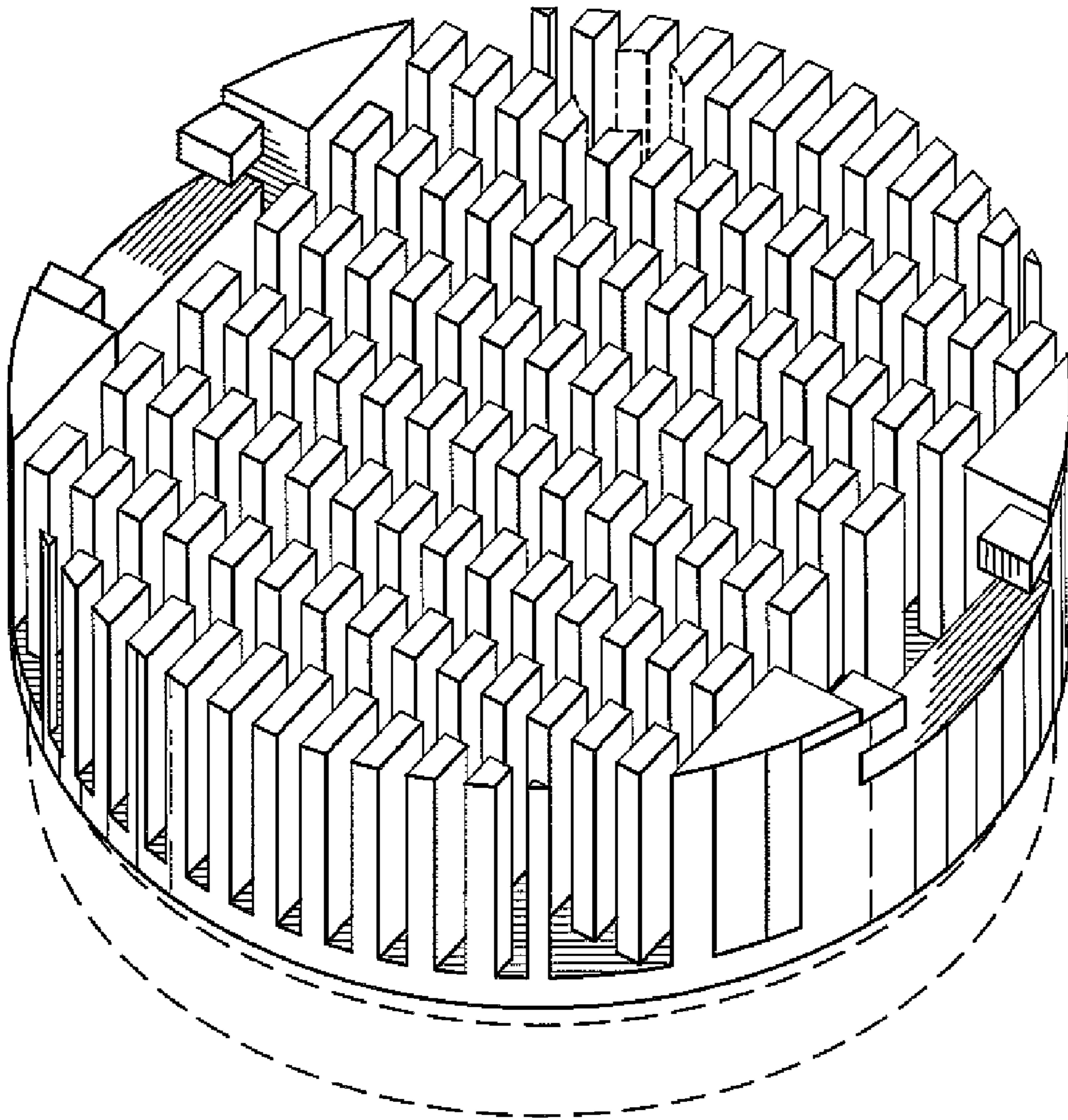
*Fig. 3*



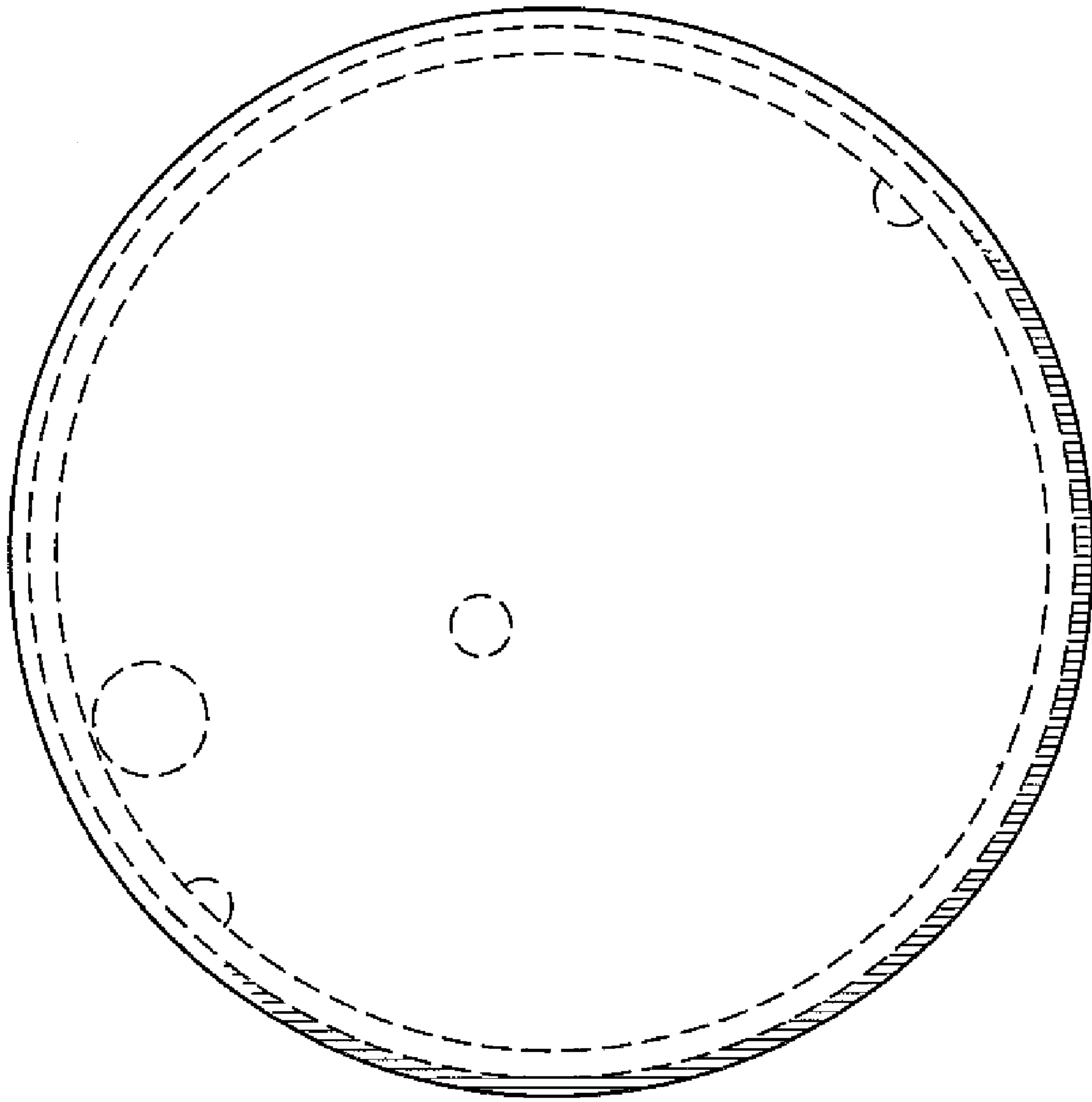
*Fig. 4*



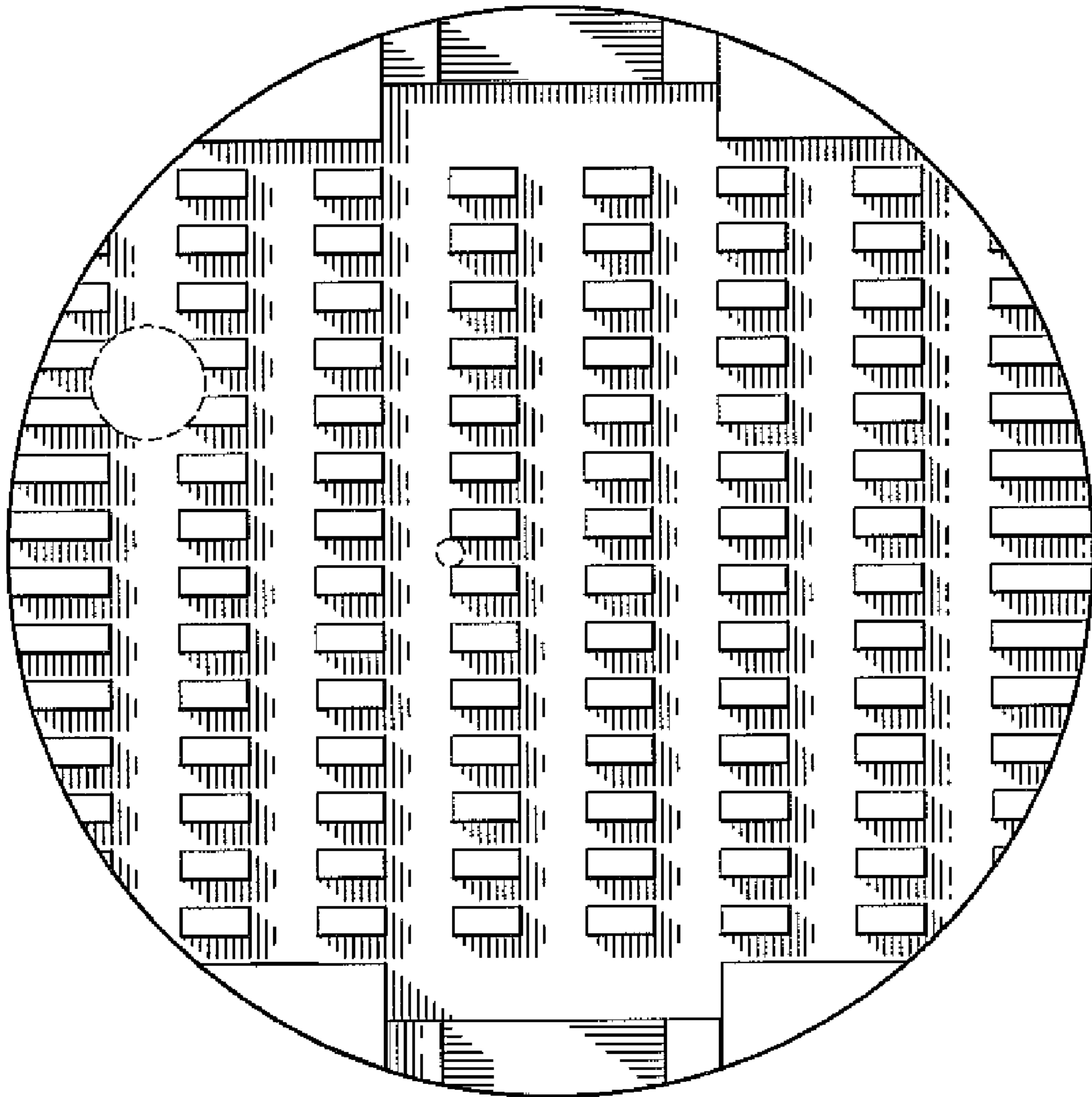
*Fig. 5*



*Fig. 6*

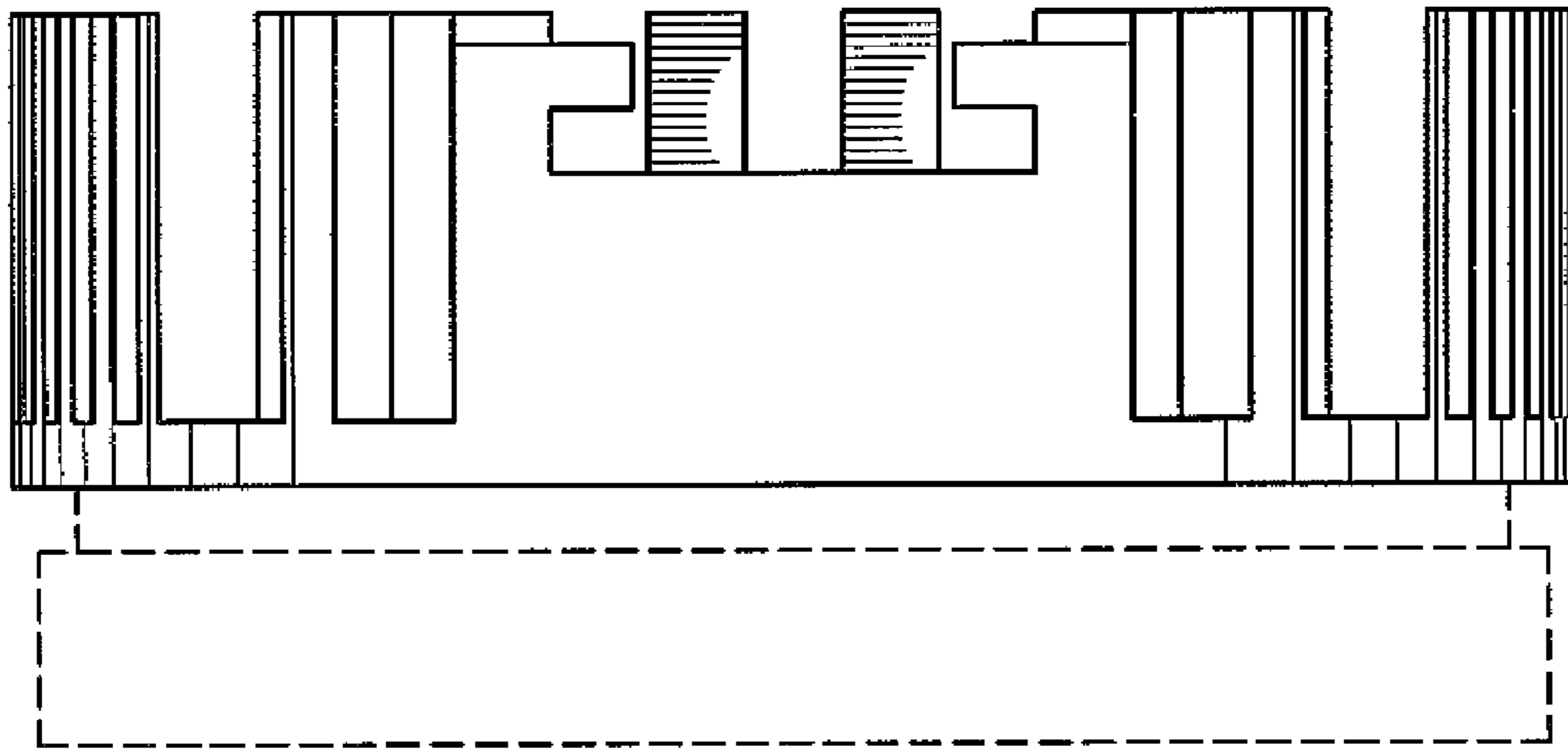


*Fig. 7*

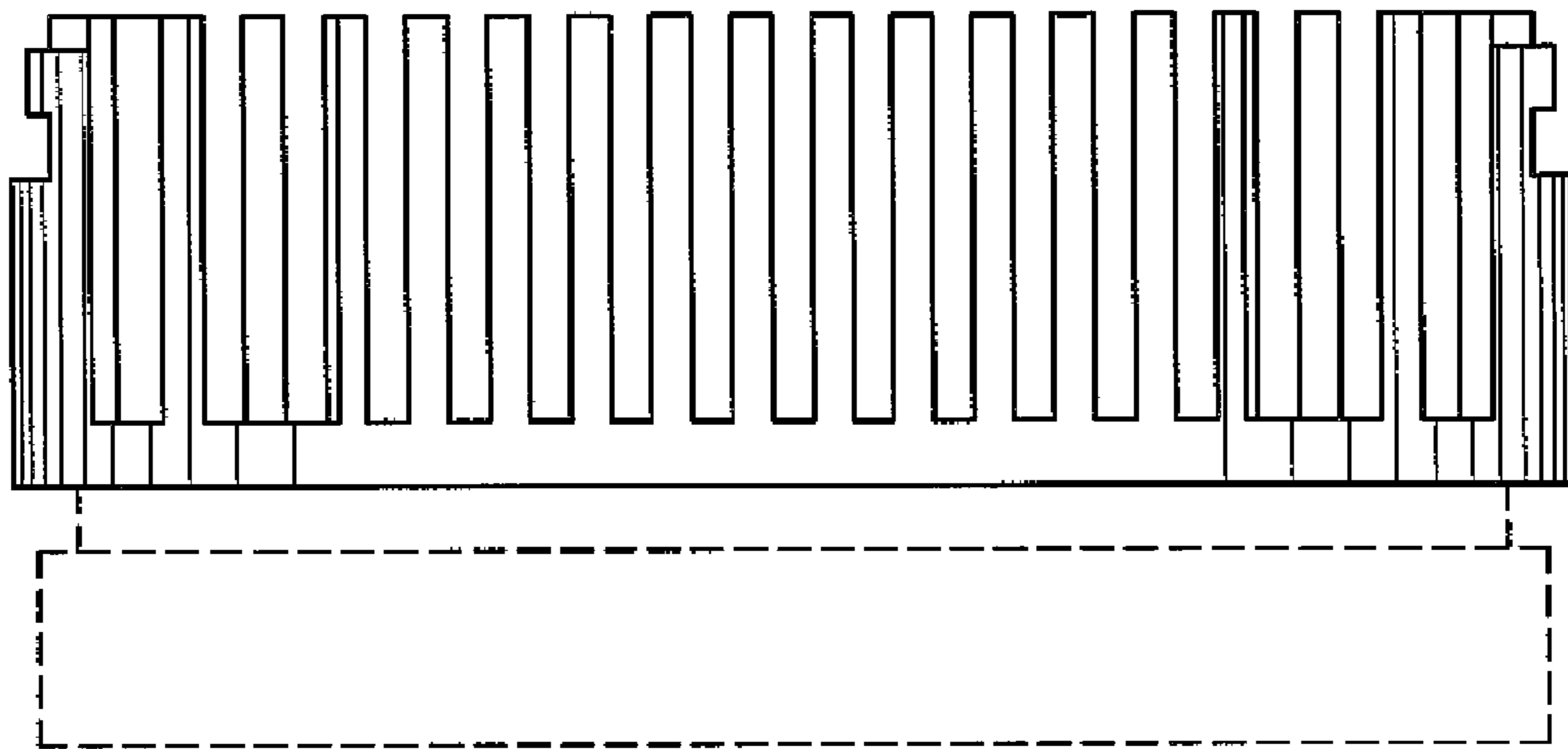


*Fig. 8*





*Fig. 9*



*Fig. 10*