

US00D592611S

(12) **United States Design Patent**
Altonen et al.

(10) **Patent No.:** **US D592,611 S**
(45) **Date of Patent:** **** May 19, 2009**

(54) **BUTTONS FOR A LOAD CONTROL DEVICE**
(75) Inventors: **Gregory Altonen**, Easton, PA (US);
Elliot G. Jacoby, Glenside, PA (US);
Noel Mayo, Philadelphia, PA (US); **Joel S. Spira**, Coopersburg, PA (US)

(73) Assignee: **Lutron Electronics Co., Inc.**,
Coopersburg, PA (US)

(**) Term: **14 Years**

(21) Appl. No.: **29/306,226**

(22) Filed: **Apr. 4, 2008**

(51) **LOC (9) Cl.** **13-03**
(52) **U.S. Cl.** **D13/171; D13/174**
(58) **Field of Classification Search** D13/171;
174/66; 200/5 R, 5 A, 1 B, 293, 296, 329,
200/406, 513, 520, 530, 302.1, 302.2, 314,
200/315, 341, 344; 315/291-296; 338/198-200
See application file for complete search history.

(56) **References Cited**

U.S. PATENT DOCUMENTS

D70,241 S * 5/1926 Schwerin D8/350
D197,278 S * 1/1964 Stevenson D13/171
D309,891 S * 8/1990 Cheng D13/158
5,036,168 A * 7/1991 Kikuchi et al. 200/5 R
D320,786 S * 10/1991 Darnell et al. D13/171
D323,488 S 1/1992 Darnell et al.
D325,559 S * 4/1992 Rosenbaum et al. D13/171
D353,798 S 12/1994 Bryde et al.
D422,567 S 4/2000 Mayo et al.
D437,585 S 2/2001 Mayo et al.
D439,220 S 3/2001 Mayo et al.
D450,043 S 11/2001 Mosebrook
D518,447 S 4/2006 Spira
D519,939 S * 5/2006 Hedderich et al. D13/164
D525,948 S 8/2006 Blair et al.
D537,046 S 2/2007 Blair et al.
D539,234 S 3/2007 Blair et al.
D539,758 S 4/2007 Blair et al.
D543,158 S 5/2007 Blair et al.
D543,951 S 6/2007 Blair et al.

D546,296 S 7/2007 Blair et al.
2008/0111491 A1 5/2008 Spira

OTHER PUBLICATIONS

U.S. Appl. No. 29/306,219, filed Apr. 4, 2008, Felegy, Jr. et al.
U.S. Appl. No. 29/306,223, filed Apr. 4, 2008, Felegy, Jr. et al.
U.S. Appl. No. 29/306,225, filed Apr. 4, 2008, Felegy, Jr. et al.
U.S. Appl. No. 29/306,228, filed Apr. 4, 2008, Felegy, Jr. et al.
U.S. Appl. No. 29/306,233, filed Apr. 4, 2008, Felegy, Jr. et al.
U.S. Appl. No. 61/042,421, filed Apr. 4, 2008, Altonen et al.
Lutron Electronics Co., Inc., RadioRA Visor Control Transmitter
Specification Submittal Sheet, Jan. 2002, 2 pages.
Lutron Electronics Co., Inc., RadioRA Visor Control Transmitter
Installation Instruction Sheet, Nov. 2001, 2 pages.
Lutron Electronics Co., Inc., Aurora Wireless Lighting Control Bro-
chure, Nov. 2006, 2 pages.
Lutron Electronics Co., Inc., Maestro Wireless Remote Lighting
Control Brochure, Sep. 2007, 2 pages.

* cited by examiner

Primary Examiner—Selina Sikder

(74) *Attorney, Agent, or Firm*—Mark E. Rose; Philip N. Smith

(57) **CLAIM**

We claim the ornamental design for buttons for a load control device, as shown and described.

DESCRIPTION

FIG. 1 is a perspective view of buttons for a load control device according to our new design.

FIG. 2 is a front view thereof.

FIG. 3 is a left side view thereof.

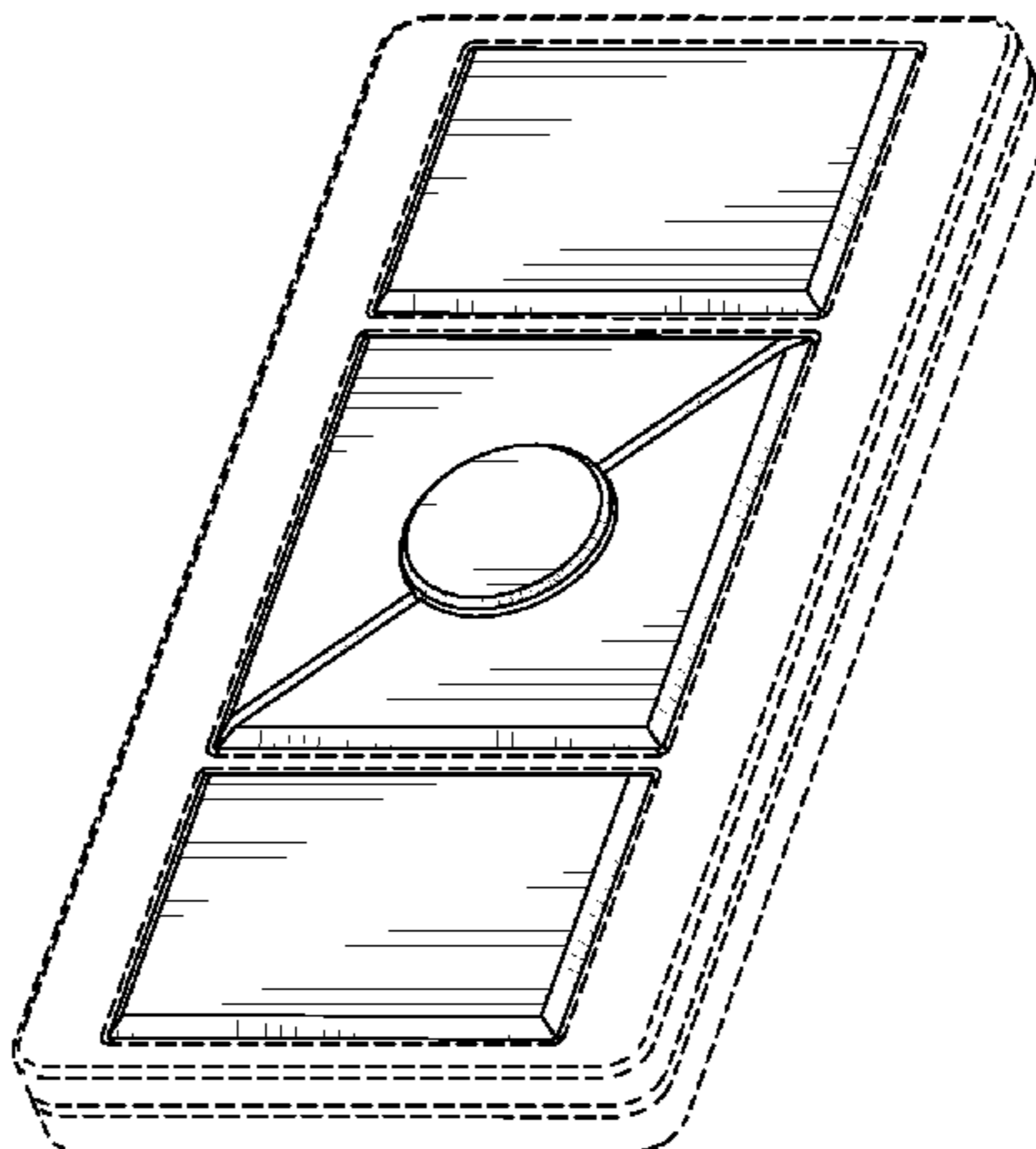
FIG. 4 is a right side view thereof.

FIG. 5 is a top view thereof; and,

FIG. 6 is a bottom view thereof.

The rear view forms no part of the design and is omitted. The portions of the drawings appearing in broken line are for environment only and do not form a part of the claimed design.

1 Claim, 4 Drawing Sheets



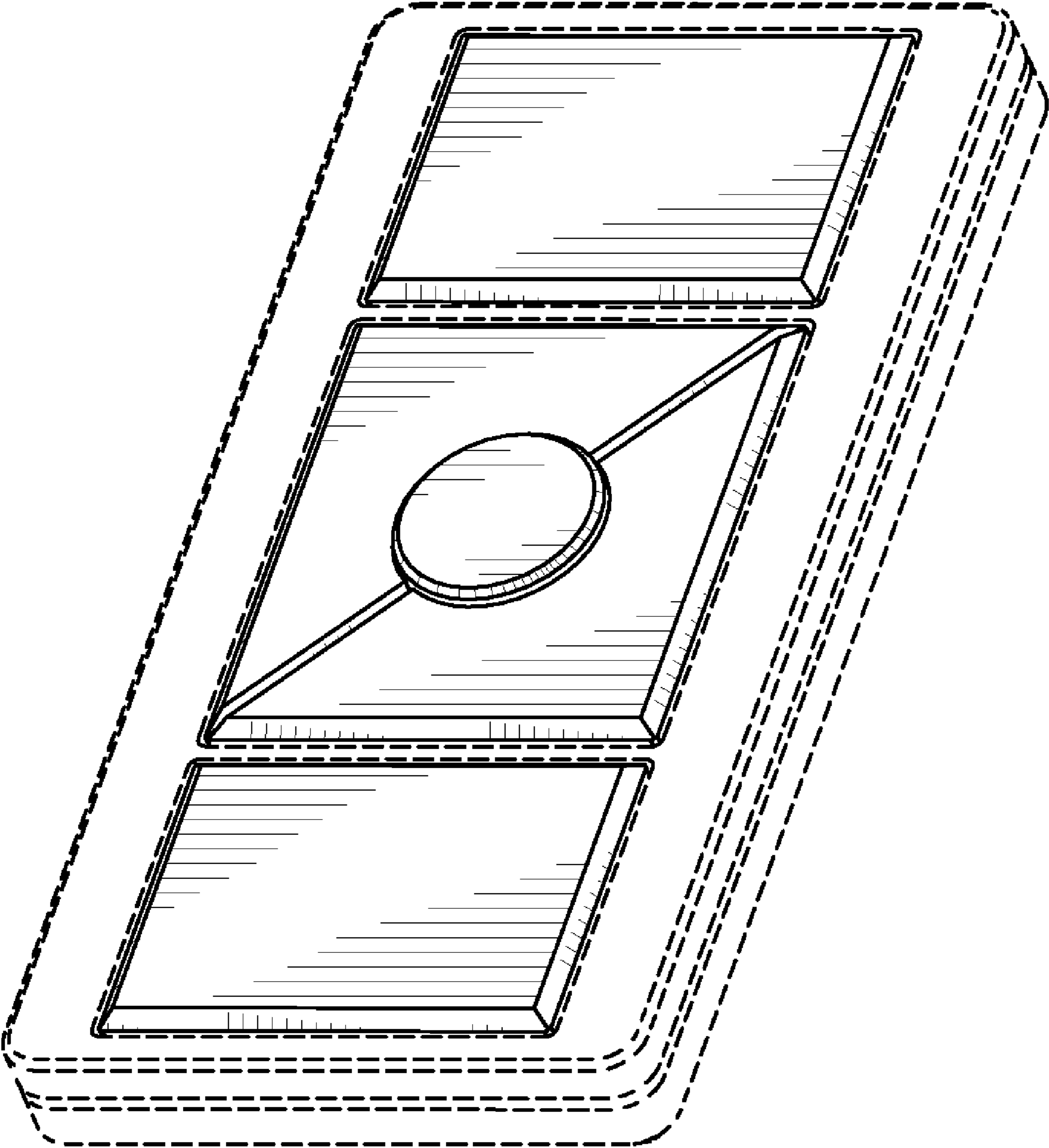


Fig. 1

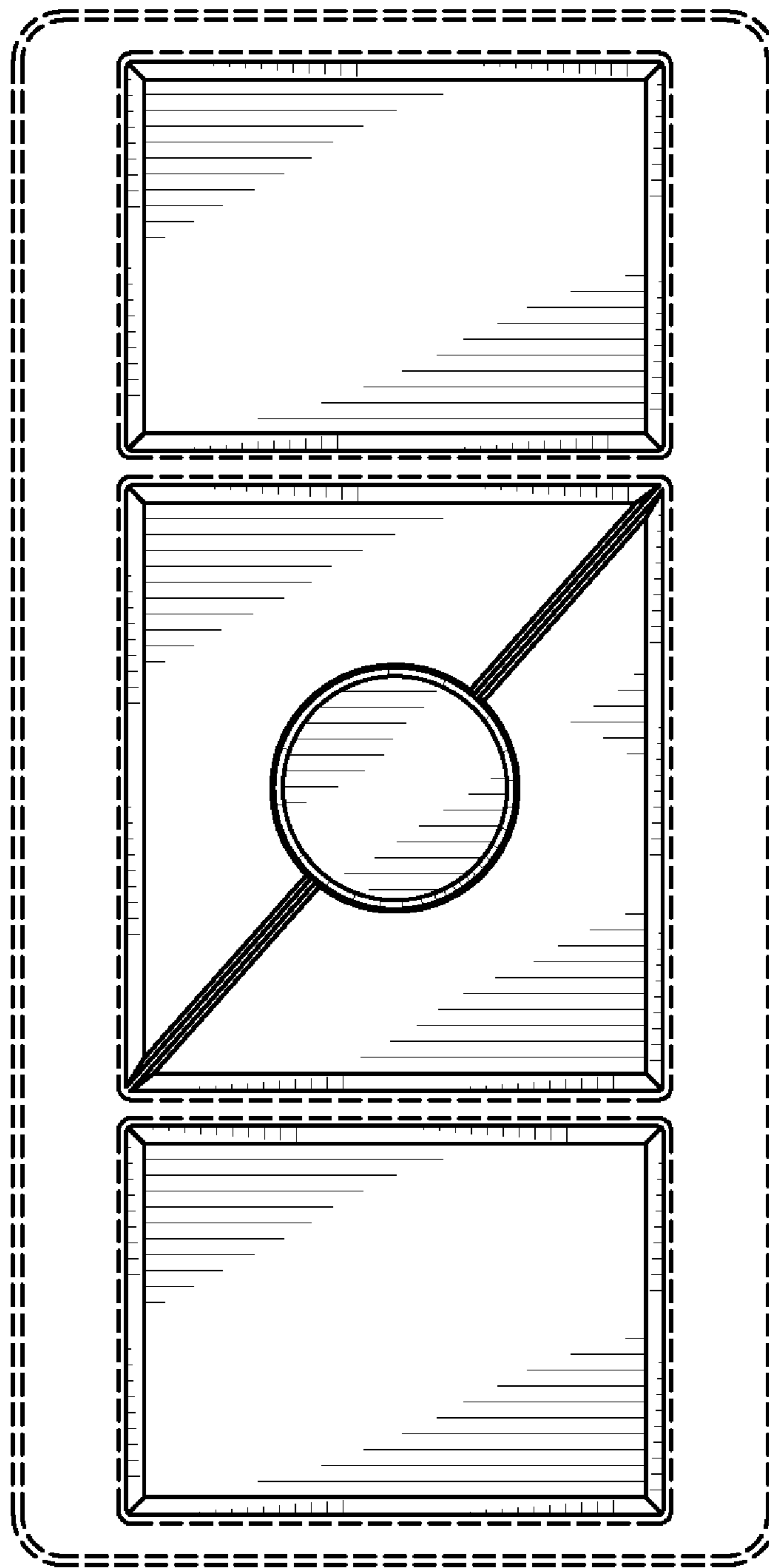


Fig. 2

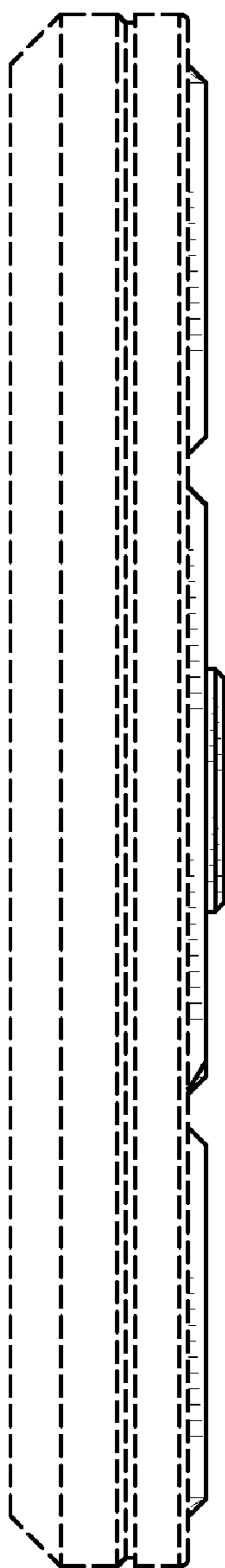


Fig. 3

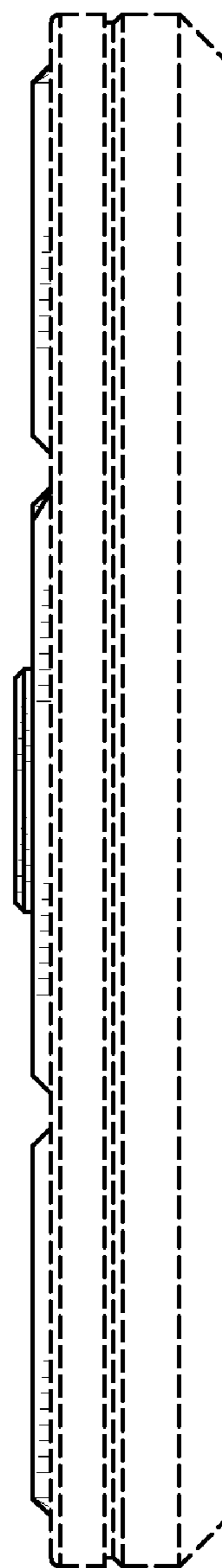


Fig. 4



Fig. 5

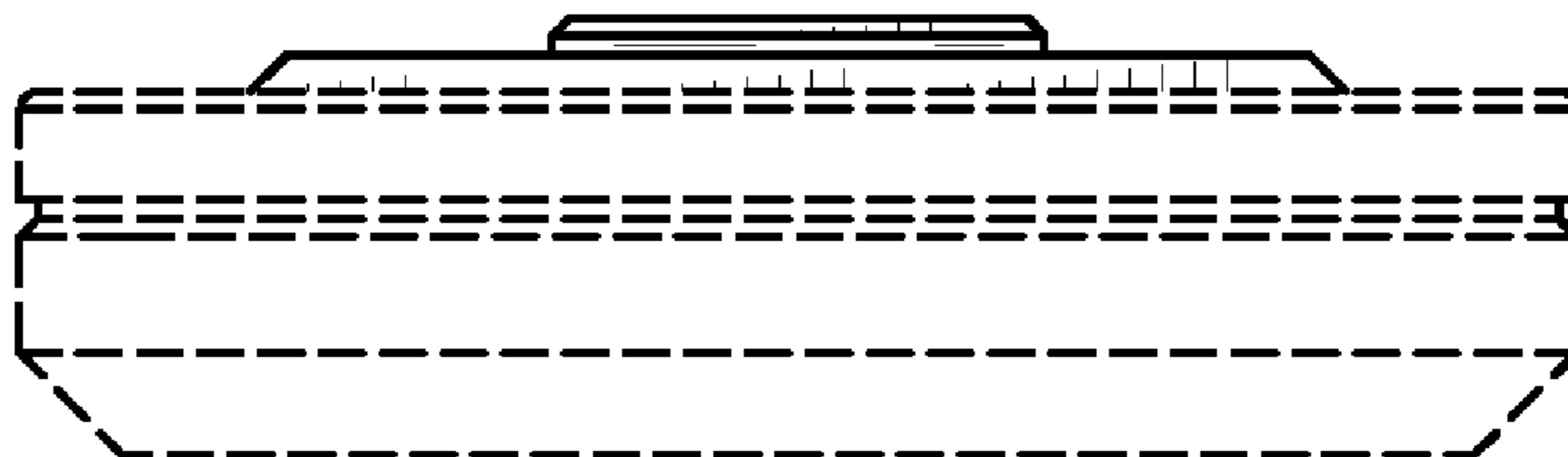


Fig. 6