



US00D592610S

(12) **United States Design Patent**  
**Savicki, Jr. et al.**

(10) **Patent No.:** **US D592,610 S**

(45) **Date of Patent:** **\*\* \*May 19, 2009**

(54) **ELECTRICAL CONTROL DEVICE**

(75) Inventors: **Gerald R. Savicki, Jr.**, Canastota, NY  
(US); **Kapil Rao Ganta Papa Rao Bala**,  
Syracuse, NY (US)

(73) Assignee: **Pass & Seymour, Inc.**, Syracuse, NY  
(US)

(\* ) Notice: This patent is subject to a terminal dis-  
claimer.

(\*\* ) Term: **14 Years**

(21) Appl. No.: **29/237,222**

(22) Filed: **Aug. 26, 2005**

(51) **LOC (9) Cl.** ..... **13-03**

(52) **U.S. Cl.** ..... **D13/170; D13/162**

(58) **Field of Classification Search** ..... D13/170;  
174/66; 200/5 R, 530, 531, 536, 547, 550,  
200/252, 293, 296, 315, 333, 335, 329; 338/176  
See application file for complete search history.

(56) **References Cited**

**U.S. PATENT DOCUMENTS**

|           |     |        |                         |         |
|-----------|-----|--------|-------------------------|---------|
| 5,191,971 | A * | 3/1993 | Hakkarainen et al. .... | 200/550 |
| 5,414,231 | A * | 5/1995 | Sato et al. ....        | 200/1 R |
| D384,038  | S * | 9/1997 | Ko ....                 | D13/162 |
| 5,783,787 | A * | 7/1998 | Data ....               | 200/5 R |
| D405,061  | S * | 2/1999 | Thomas ....             | D13/170 |

|           |      |         |                     |         |
|-----------|------|---------|---------------------|---------|
| D409,579  | S *  | 5/1999  | Thomas .....        | D13/170 |
| D463,382  | S *  | 9/2002  | Jacoby .....        | D13/170 |
| D464,629  | S *  | 10/2002 | Dowd et al. ....    | D13/170 |
| D500,743  | S *  | 1/2005  | Savicki et al. .... | D13/169 |
| D504,403  | S *  | 4/2005  | Savicki et al. .... | D13/169 |
| D504,667  | S *  | 5/2005  | Savicki et al. .... | D13/169 |
| D507,245  | S *  | 7/2005  | Savicki et al. .... | D13/169 |
| D508,680  | S *  | 8/2005  | Savicki et al. .... | D13/169 |
| 6,989,489 | B1 * | 1/2006  | Savicki, Jr. ....   | 174/50  |

\* cited by examiner

*Primary Examiner*—Selina Sikder

(74) *Attorney, Agent, or Firm*—Daniel P. Malley; Bond,  
Schoeneck & King, PLLC

(57) **CLAIM**

The ornamental design for an electrical control device, as  
shown and described.

**DESCRIPTION**

FIG. 1 is a front elevation view of the electrical control device  
according to a first embodiment showing my new design;

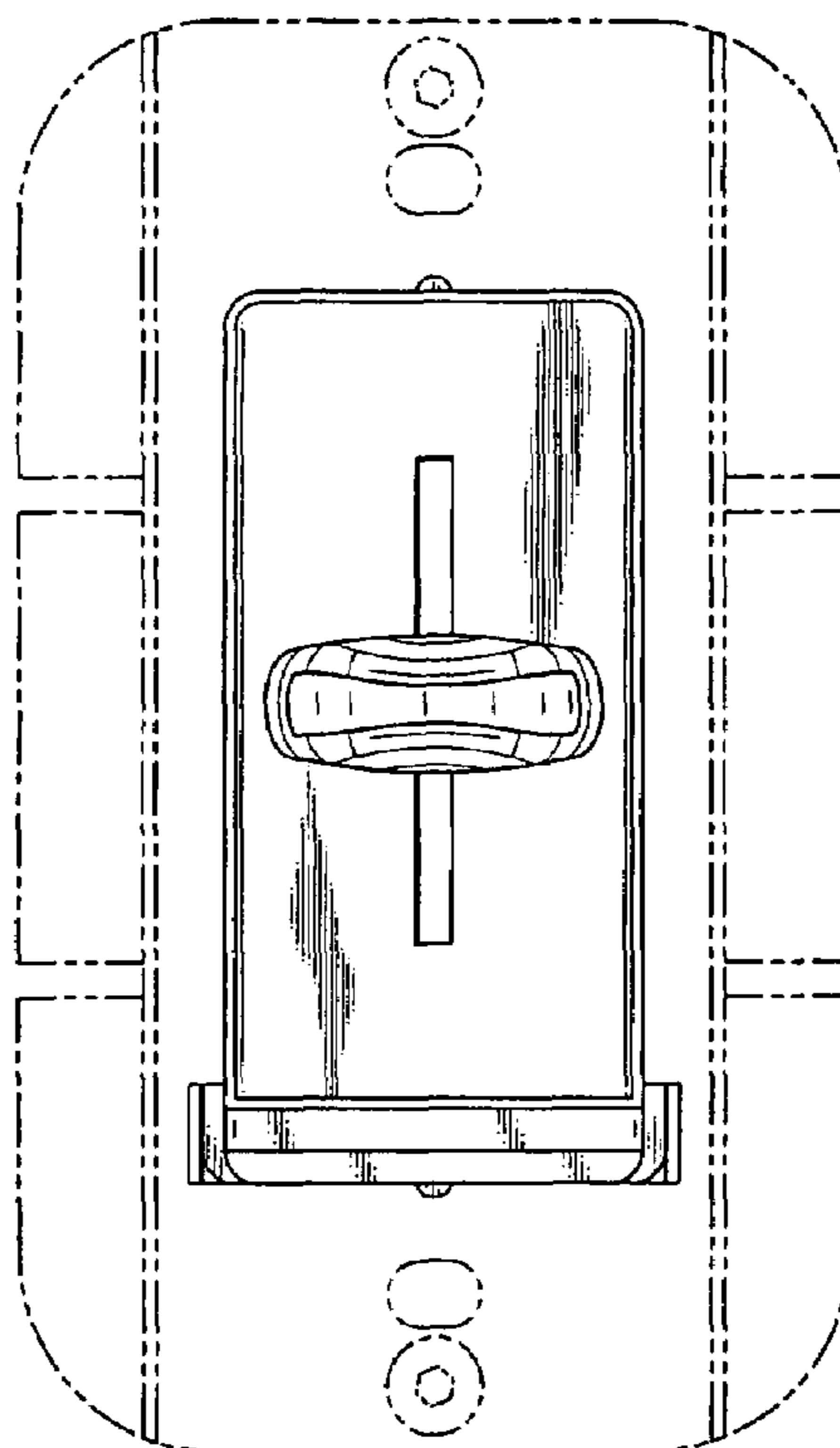
FIG. 2 is a perspective view thereof;

FIG. 3 is a front elevation view of the electrical control device  
according to a second embodiment; and,

FIG. 4 is a perspective view thereof.

The broken line showing of the electrical box and the sur-  
rounding plate are for illustrative purposes only and form no  
part of the claimed design.

**1 Claim, 2 Drawing Sheets**



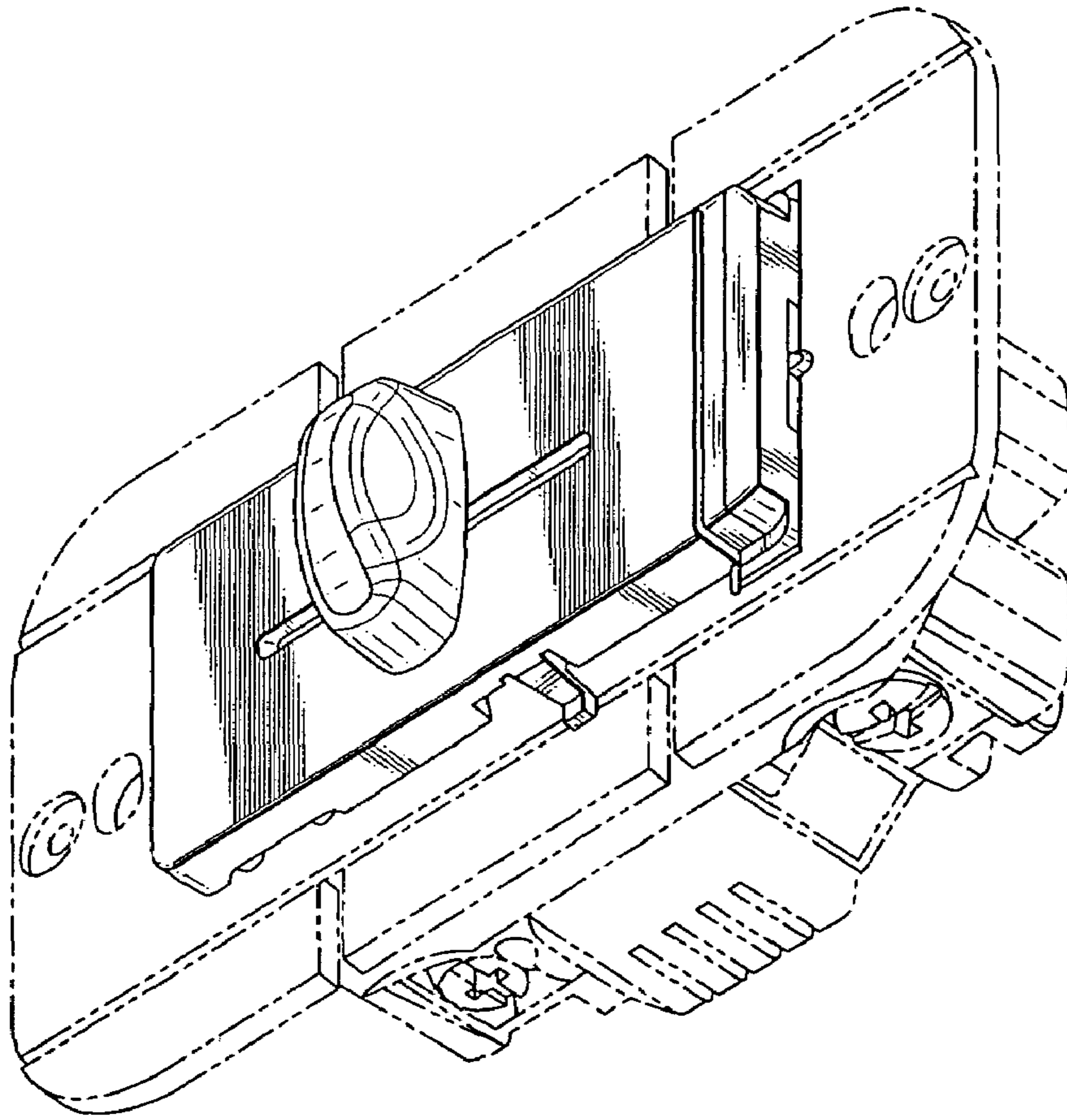


FIG. 2

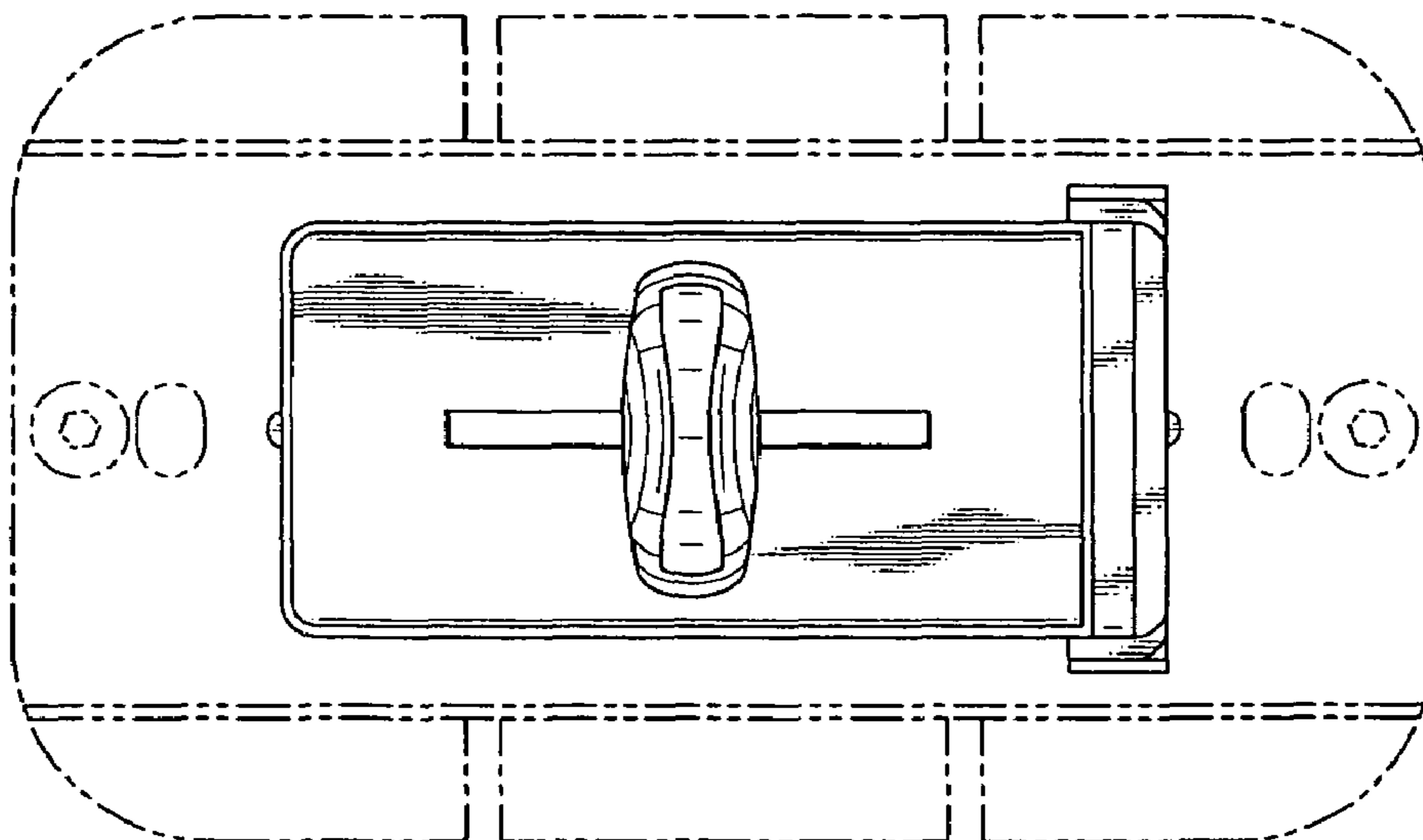


FIG. 1

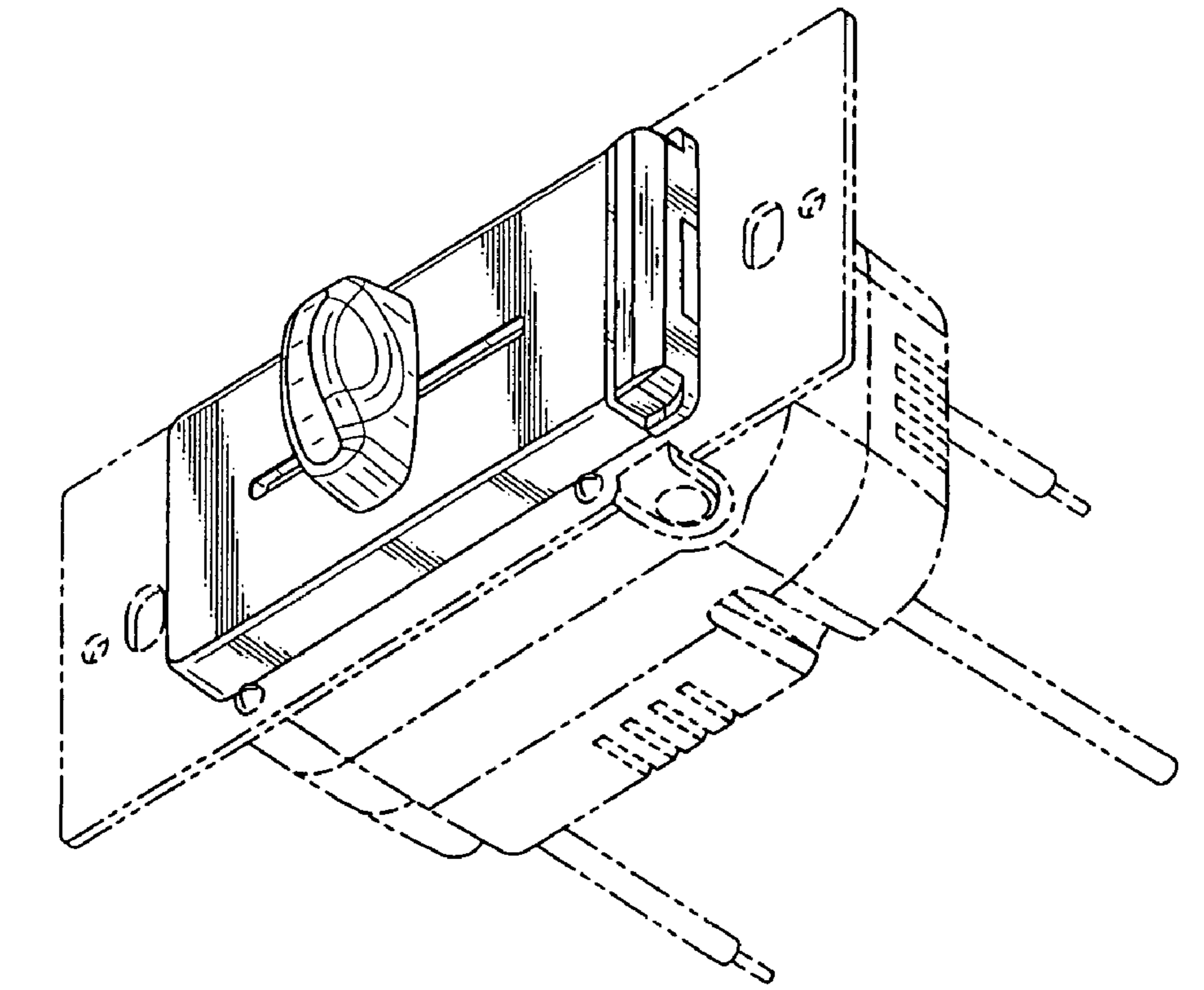


FIG. 4

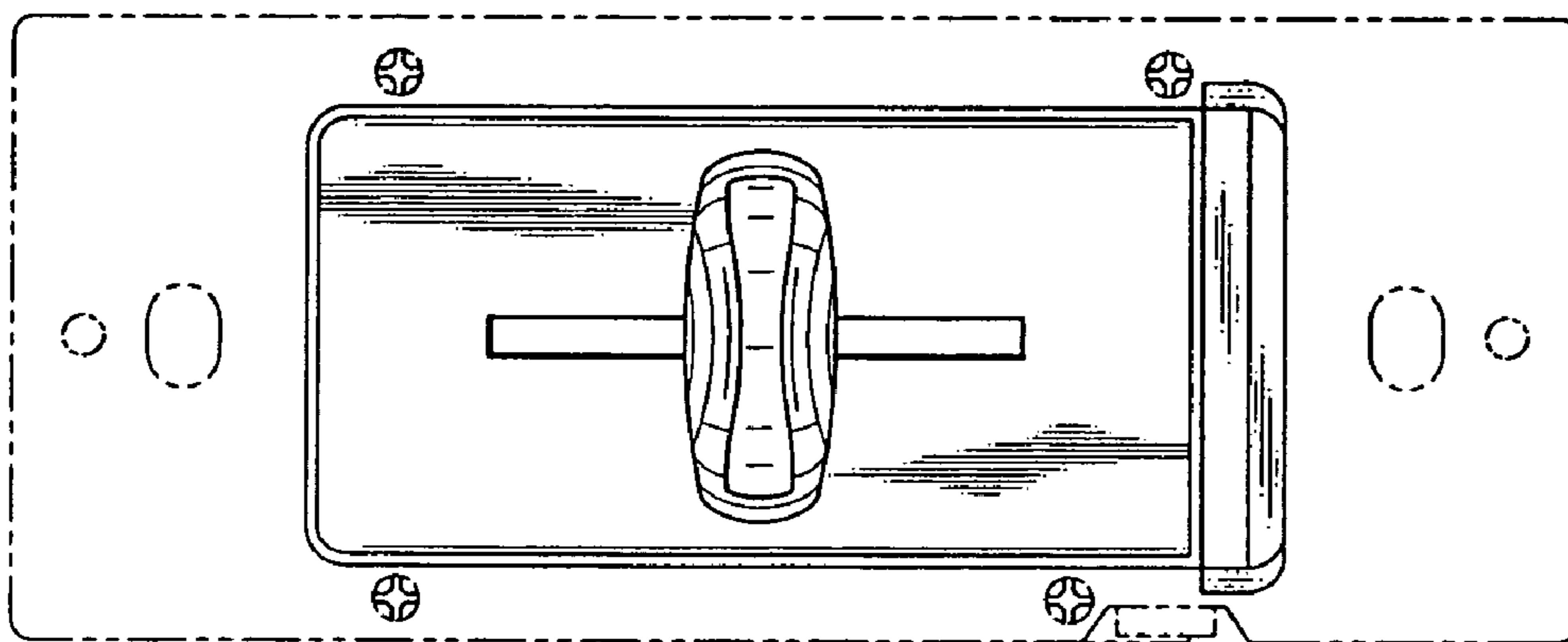


FIG. 3