



US00D592604S

(12) **United States Design Patent**
Hewson et al.

(10) **Patent No.:** **US D592,604 S**
(45) **Date of Patent:** **** May 19, 2009**

(54) **SWITCH**

(75) Inventors: **John C. Hewson**, Philadelphia, PA (US);
Elliot G. Jacoby, Glenside, PA (US);
Eric Johnathan Mace, Allentown, PA (US)

(73) Assignee: **Lutron Electronics Co., Inc.**,
Coopersburg, PA (US)

(**) Term: **14 Years**

(21) Appl. No.: **29/278,543**

(22) Filed: **Apr. 2, 2007**

(51) **LOC (9) Cl.** **13-03**

(52) **U.S. Cl.** **D13/162; D13/171**

(58) **Field of Classification Search** D13/162,
D13/169, 170; 174/66; 200/530, 531, 536,
200/252, 293, 333, 335, 329; 338/128, 176;
D8/353; 307/116, 125, 139

See application file for complete search history.

(56) **References Cited**

U.S. PATENT DOCUMENTS

D337,755 S	7/1993	Rowen et al.
D342,234 S	12/1993	Graybill, Jr. et al.
5,637,930 A	6/1997	Rowen et al.
5,669,484 A	9/1997	Paulson
D384,646 S	10/1997	Miller et al.
6,384,354 B1	5/2002	Shotey et al.
D471,880 S	3/2003	Mayo et al.
D472,221 S	3/2003	Mayo et al.
D472,526 S	4/2003	Mayo et al.
D472,527 S	4/2003	Mayo et al.
D477,289 S	7/2003	Mayo et al.
D477,290 S	7/2003	Mayo et al.
D477,572 S	7/2003	Mayo et al.
D477,575 S	7/2003	Mayo et al.
D477,576 S	7/2003	Mayo et al.
D477,577 S	7/2003	Mayo et al.
D477,578 S	7/2003	Mayo et al.
6,586,694 B2	7/2003	Shotey et al.
D478,054 S	8/2003	Mayo et al.

D479,206 S	9/2003	Mayo et al.	
D479,207 S	9/2003	Mayo et al.	
6,727,446 B1	4/2004	Mayo et al.	
6,734,381 B2	5/2004	Mayo et al.	
6,774,328 B2	8/2004	Adams et al.	
6,909,060 B1	6/2005	Shotey et al.	
7,049,537 B1	5/2006	Shotey et al.	
D526,969 S	8/2006	Spira	
D534,872 S	1/2007	Spira	
D538,759 S	3/2007	Spira et al.	
D541,222 S	4/2007	Mayo et al.	
D542,742 S	5/2007	Spira	
D543,511 S	5/2007	Altonen et al.	
D547,735 S *	7/2007	Altonen et al.	D13/170
D557,216 S *	12/2007	Ochs et al.	D13/162
D559,791 S *	1/2008	Mayo et al.	D13/162
D566,048 S *	4/2008	Mace et al.	D13/162
D566,052 S *	4/2008	Ochs et al.	D13/170
D568,828 S *	5/2008	Mayo et al.	D13/171
2006/0273970 A1	12/2006	Mosebrook et al.	
2006/0284734 A1	12/2006	Newman, Jr.	
2007/0007826 A1	1/2007	Mosebrook et al.	

OTHER PUBLICATIONS

U.S. Appl. No. 29/256,275, filed Mar. 17, 2006 to Mayo et al.
U.S. Appl. No. 29/267,348, filed Oct. 11, 2006 to Altonen et al.
U.S. Appl. No. 29/267,915, filed Oct. 25, 2006 to Mace et al.
U.S. Appl. No. 29/267,916, filed Oct. 25, 2006 to Ochs et al.
Lutron Electronics, Switching Systems Technical Guide, Aug. 2004,
pp. front cover, 51, rear cover.
Lutron Electronics, Adeo Digital Fade Dimmers Brochure, Oct.
2006, 4 pages.
Lutron Electronics, Sungem Dimmers & Switches Brochure, Oct.
2006, 4 pages.

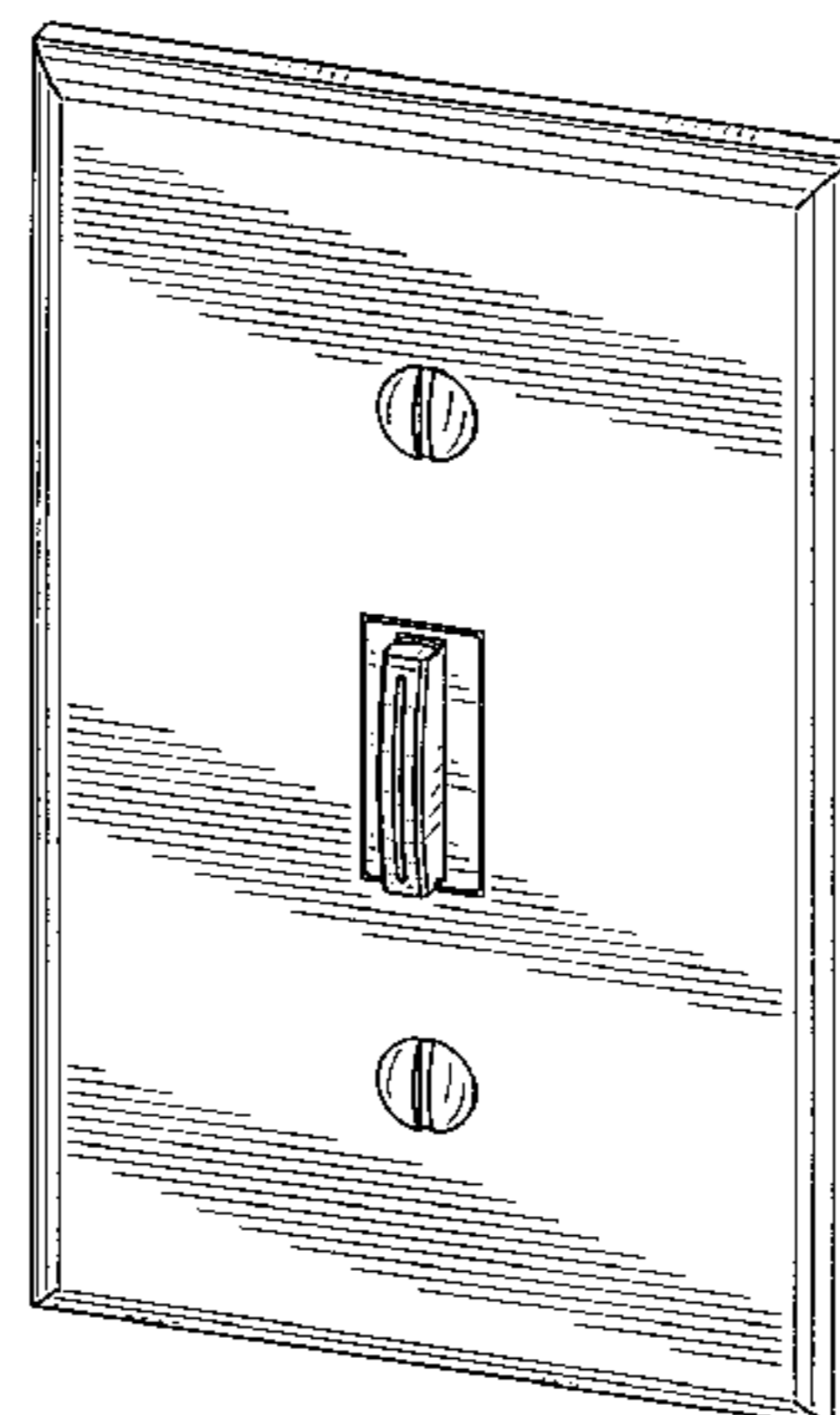
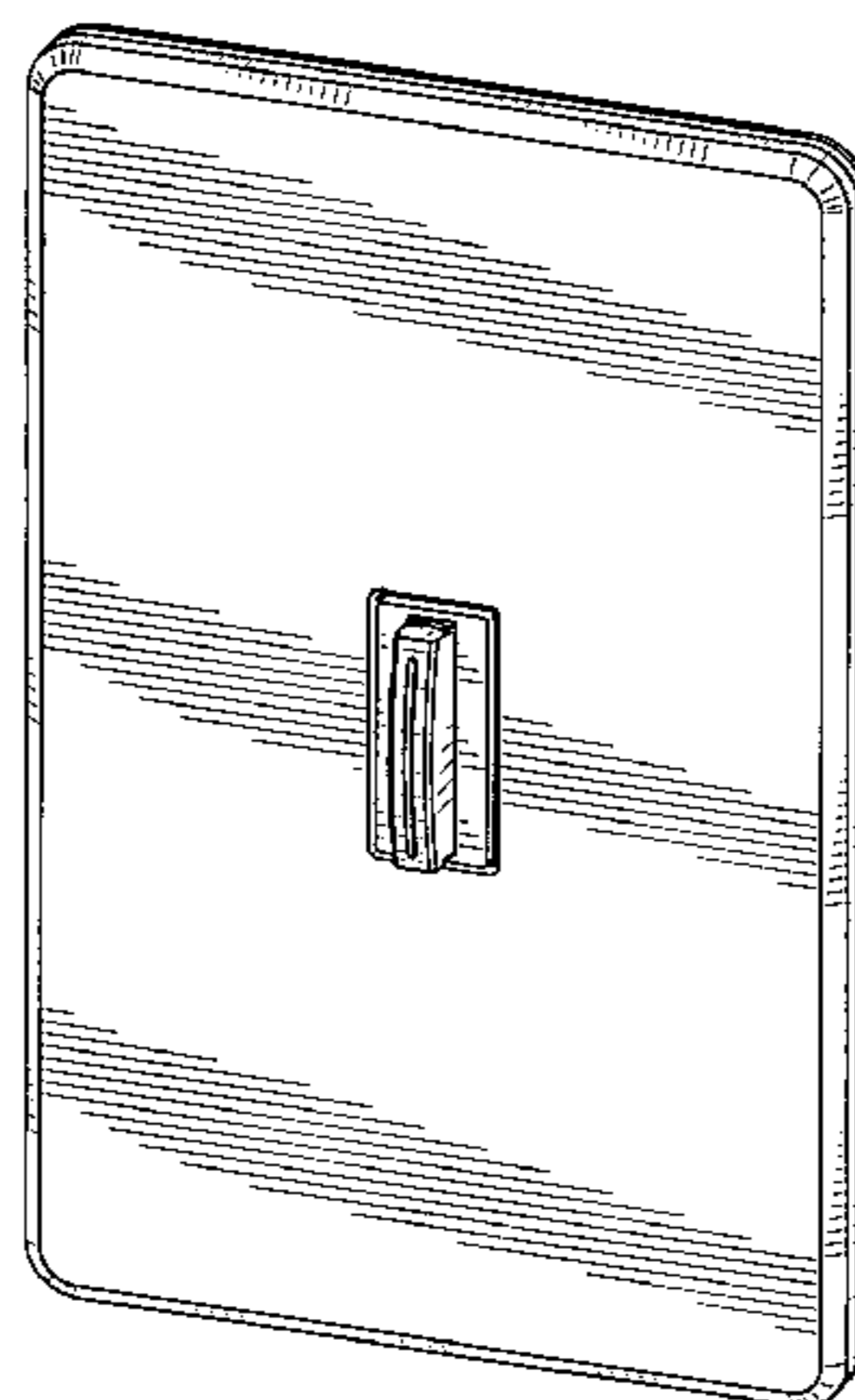
* cited by examiner

Primary Examiner—Selina Sikder

(74) *Attorney, Agent, or Firm*—Ostrolenk, Faber, Gerb &
Soffen, LLP

(57) **CLAIM**

We claim the ornamental design for a switch, as shown and
described.



DESCRIPTION

FIG. 1 is a perspective view of switch according to a first embodiment of our new design.

FIG. 2 is a front view thereof.

FIG. 3 is a left side view thereof.

FIG. 4 is a right side view thereof.

FIG. 5 is a top view thereof.

FIG. 6 is a bottom view thereof.

FIG. 7 is a perspective view of switch according to a second embodiment of our new design.

FIG. 8 is a front view thereof.

FIG. 9 is a left side view thereof.

FIG. 10 is a right side view thereof.

FIG. 11 is a top view thereof.

FIG. 12 is a bottom view thereof.

FIG. 13 is a perspective view of switch according to a third embodiment of our new design.

FIG. 14 is a front view thereof.

FIG. 15 is a left side view thereof.

FIG. 16 is a right side view thereof.

FIG. 17 is a top view thereof.

FIG. 18 is a bottom view thereof.

FIG. 19 is a perspective view of switch according to a fourth embodiment of our new design.

FIG. 20 is a front view thereof.

FIG. 21 is a left side view thereof.

FIG. 22 is a right side view thereof.

FIG. 23 is a top view thereof.

FIG. 24 is a bottom view thereof.

FIG. 25 is a perspective view of switch according to a fifth embodiment of our new design.

FIG. 26 is a front view thereof.

FIG. 27 is a left side view thereof.

FIG. 28 is a right side view thereof.

FIG. 29 is a top view thereof.

FIG. 30 is a bottom view thereof.

FIG. 31 is a perspective view of switch according to a sixth embodiment of our new design.

FIG. 32 is a front view thereof.

FIG. 33 is a left side view thereof.

FIG. 34 is a right side view thereof.

FIG. 35 is a top view thereof.

FIG. 36 is a bottom view thereof.

FIG. 37 is a perspective view of switch according to a seventh embodiment of our new design.

FIG. 38 is a front view thereof.

FIG. 39 is a left side view thereof.

FIG. 40 is a right side view thereof.

FIG. 41 is a top view thereof.

FIG. 42 is a bottom view thereof.

FIG. 43 is a perspective view of switch according to an eighth embodiment of our new design.

FIG. 44 is a front view thereof.

FIG. 45 is a left side view thereof.

FIG. 46 is a right side view thereof.

FIG. 47 is a top view thereof; and,

FIG. 48 is a bottom view thereof.

The rear views form no part of the design and are omitted. The portions of the drawings appearing in broken line are for environment only and do not form a part of the design.

1 Claim, 32 Drawing Sheets

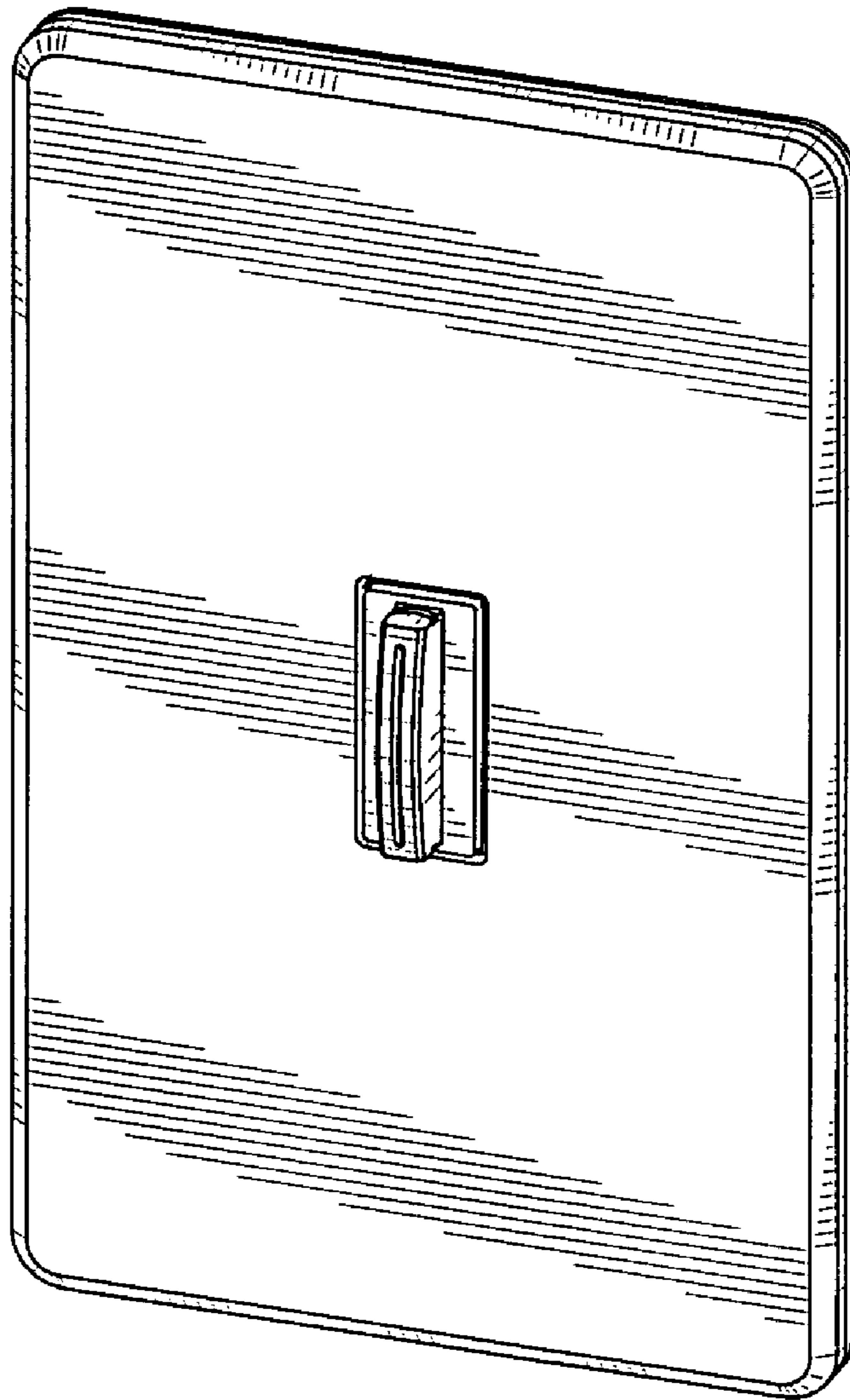


Fig. 1

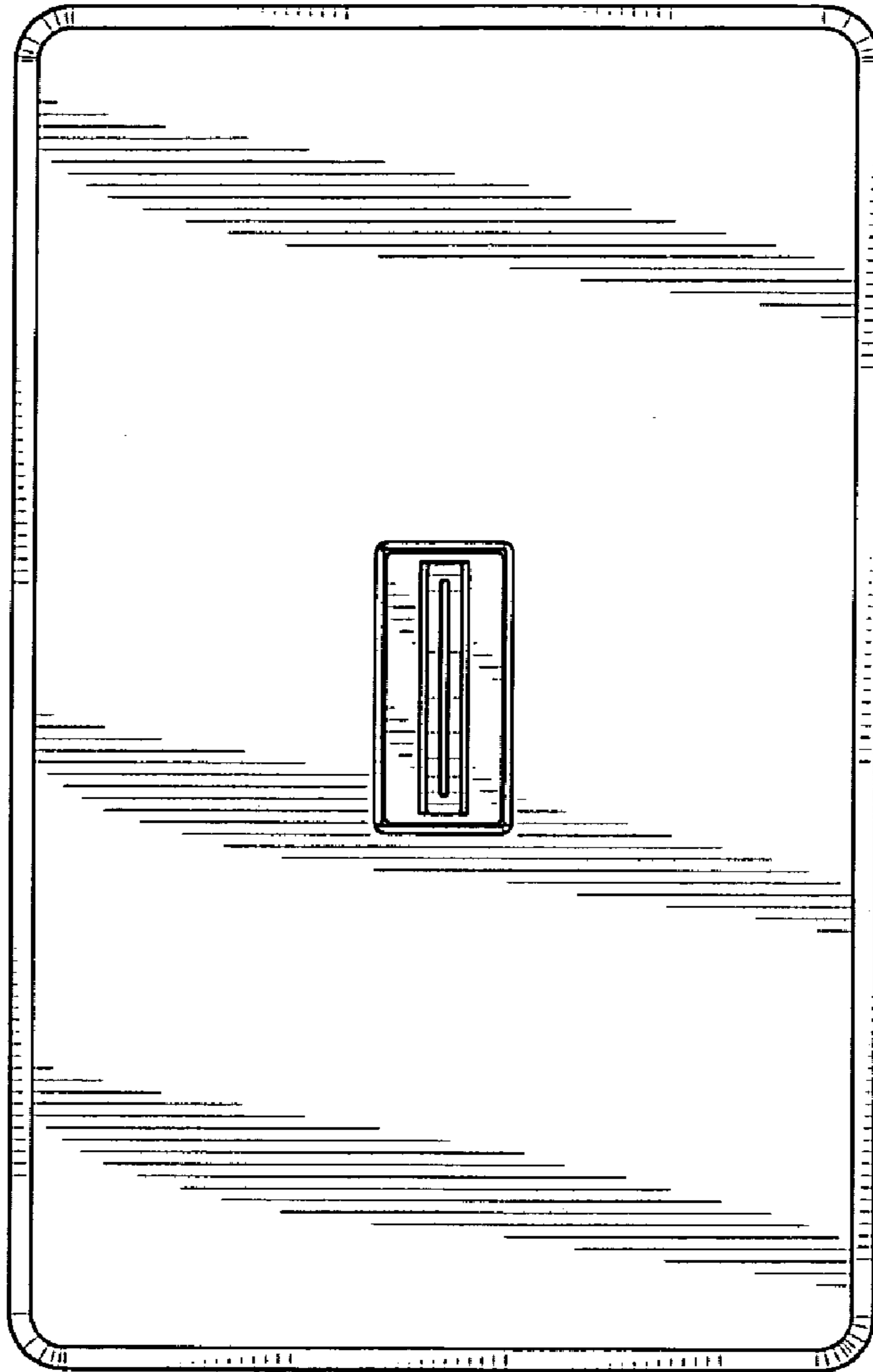


Fig. 2

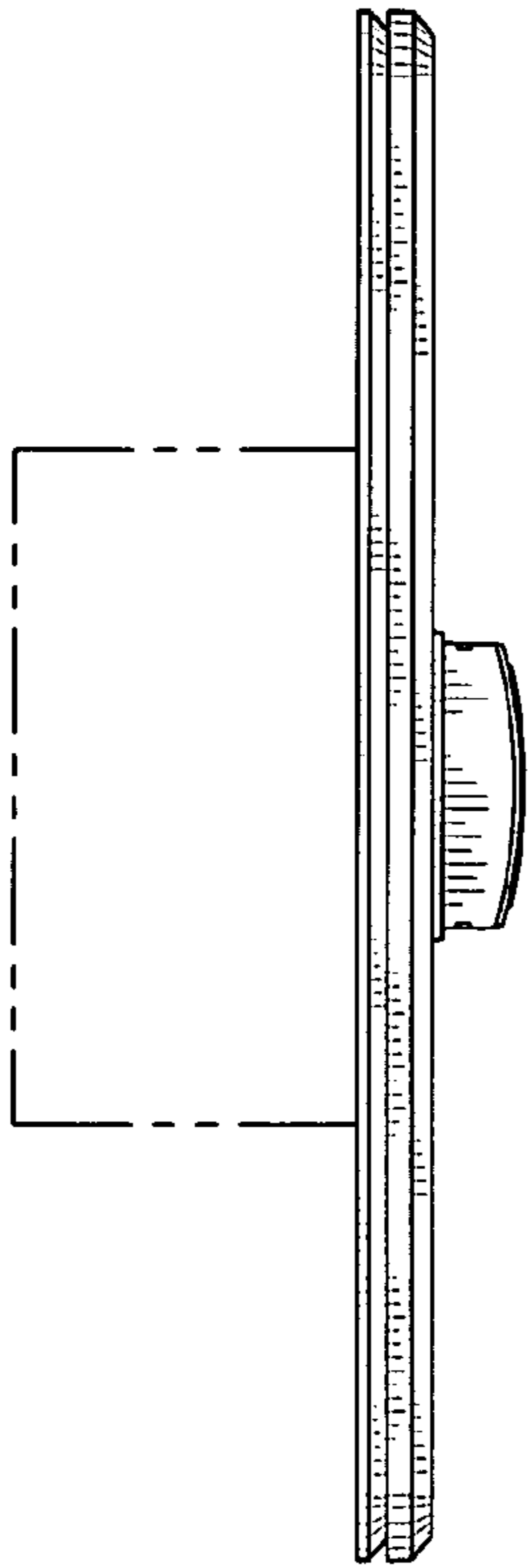


Fig. 3

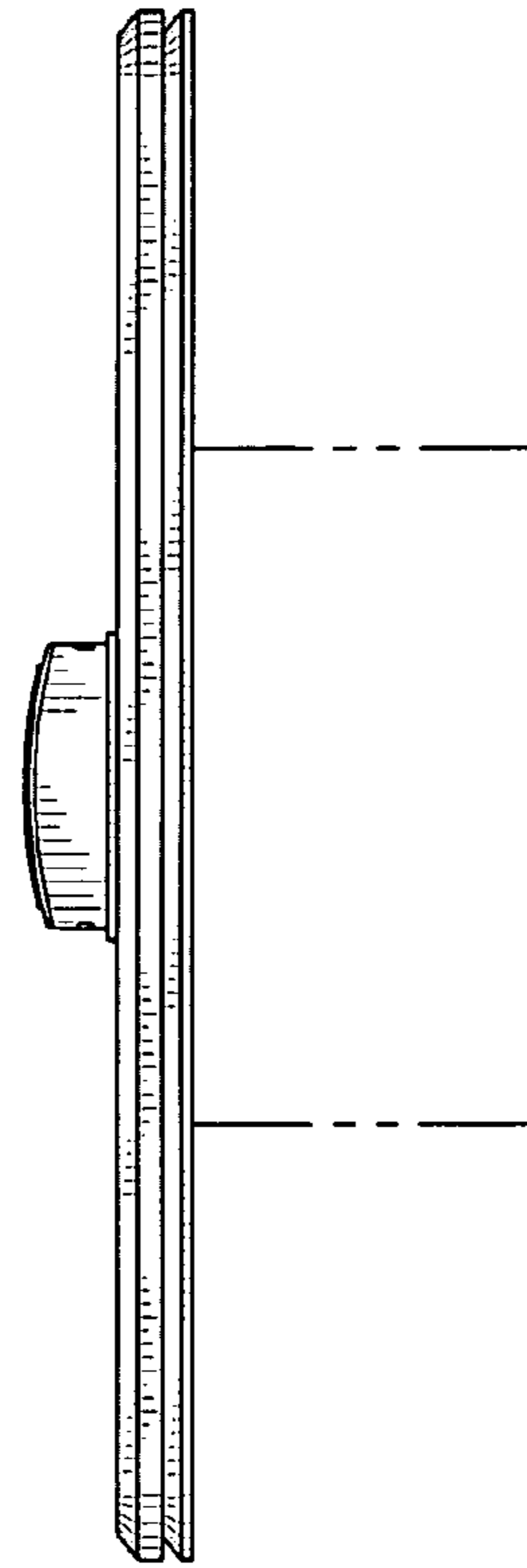


Fig. 4

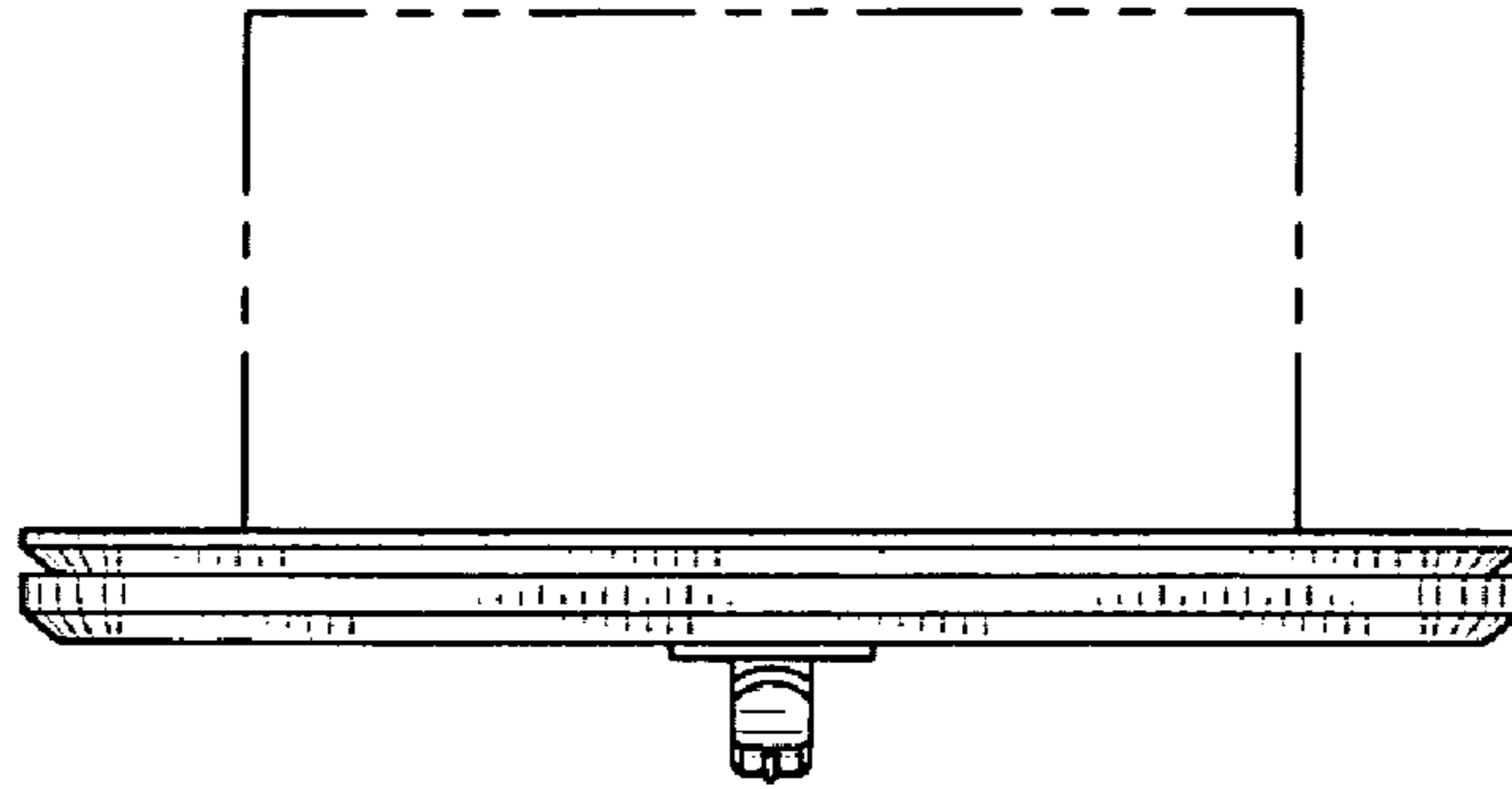


Fig. 5

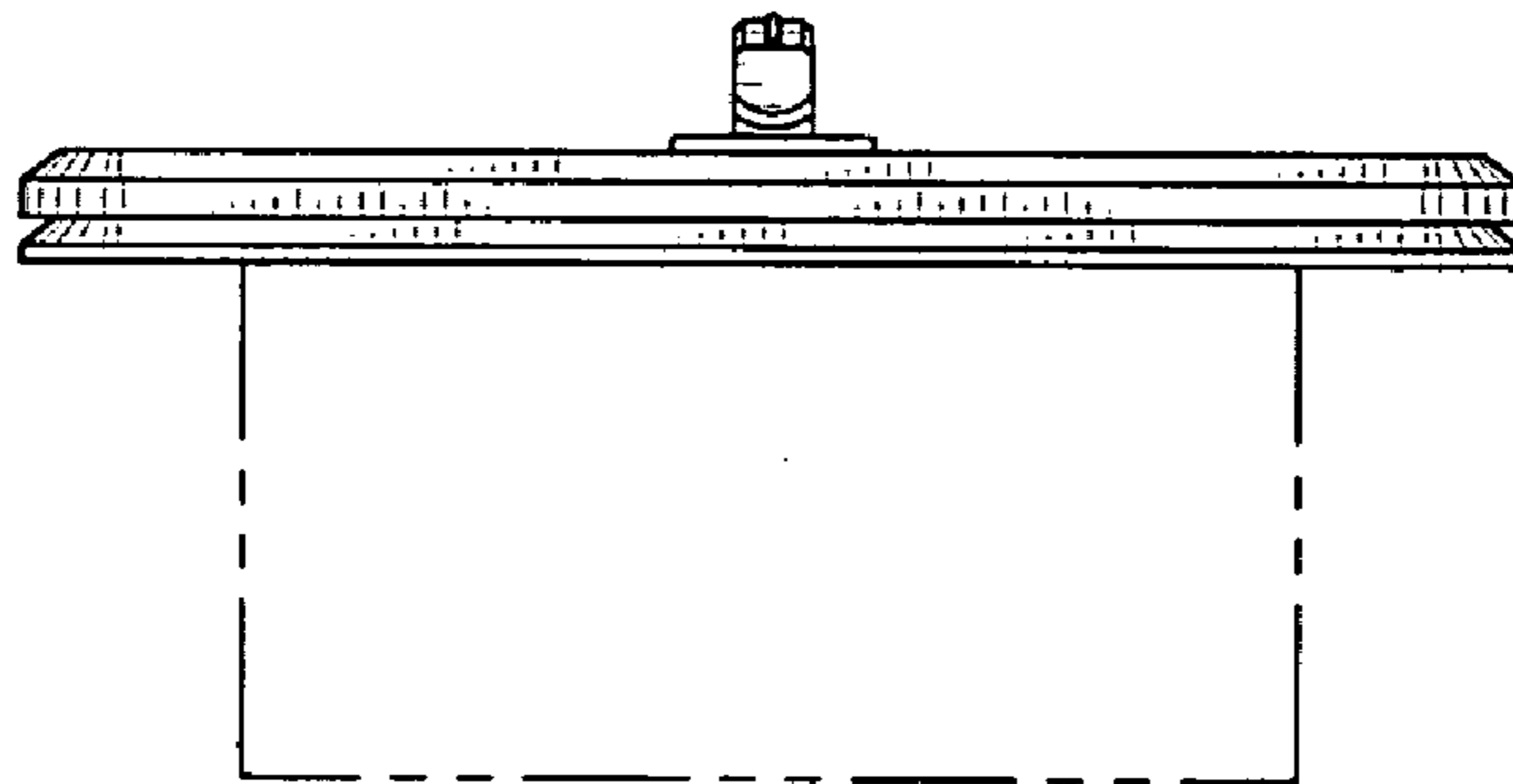


Fig. 6

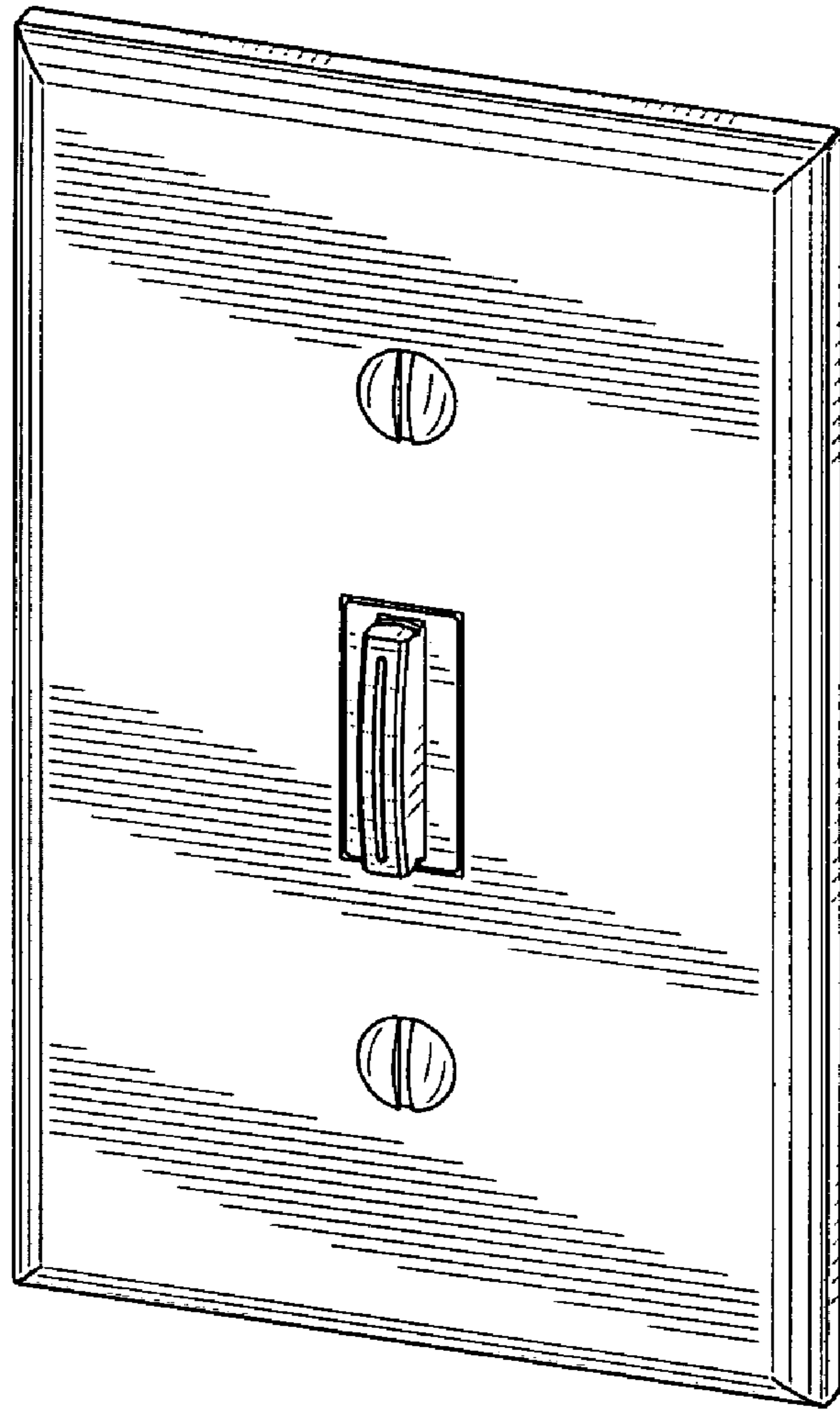


Fig. 7

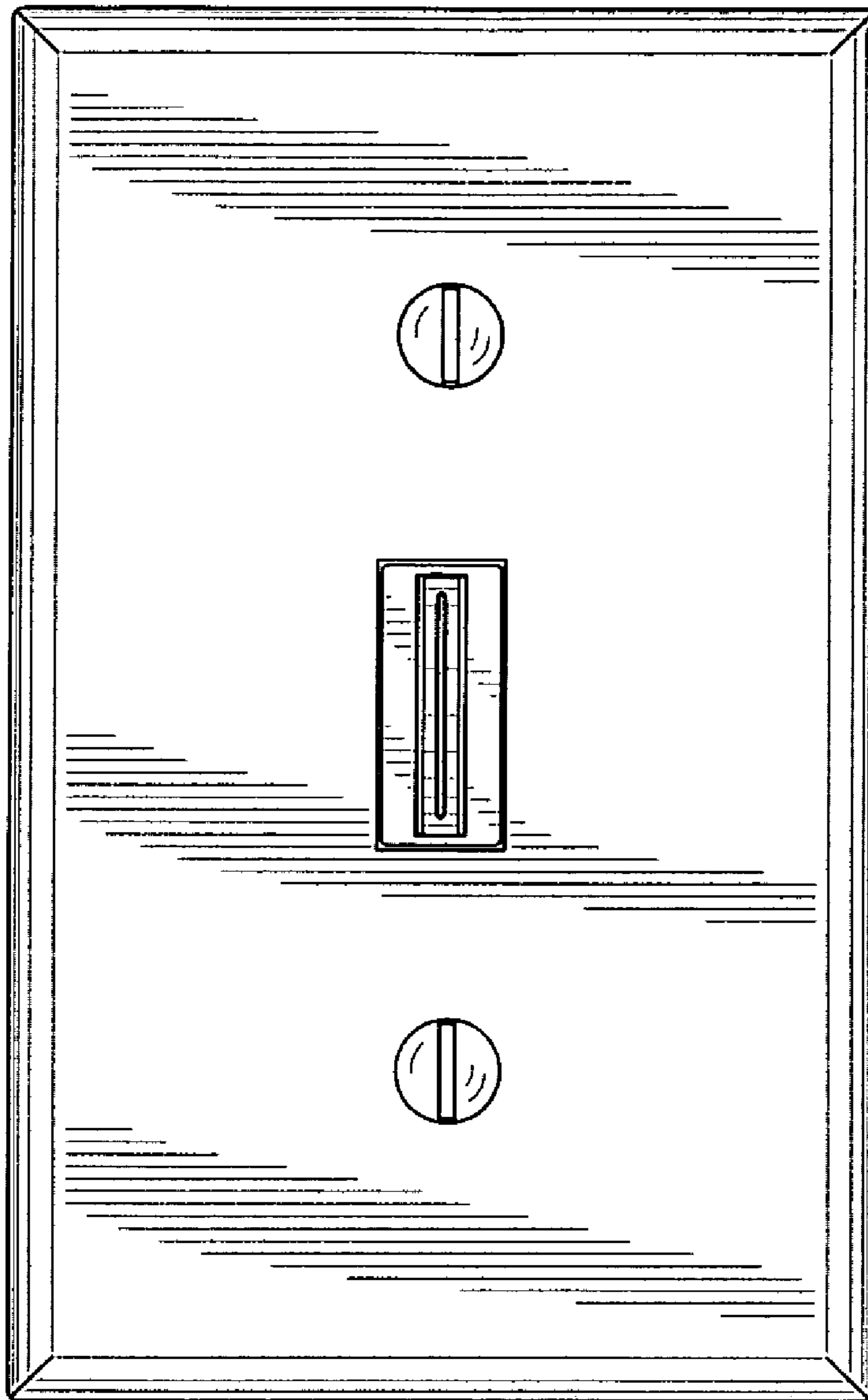


Fig. 8

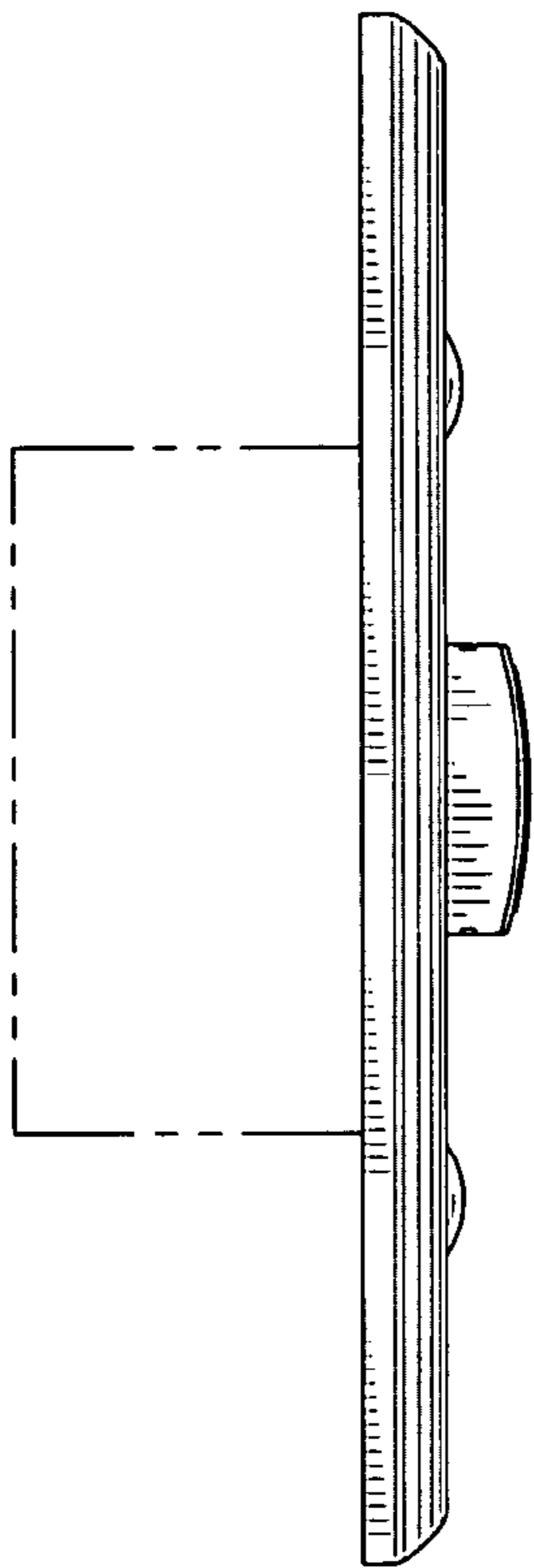


Fig. 9

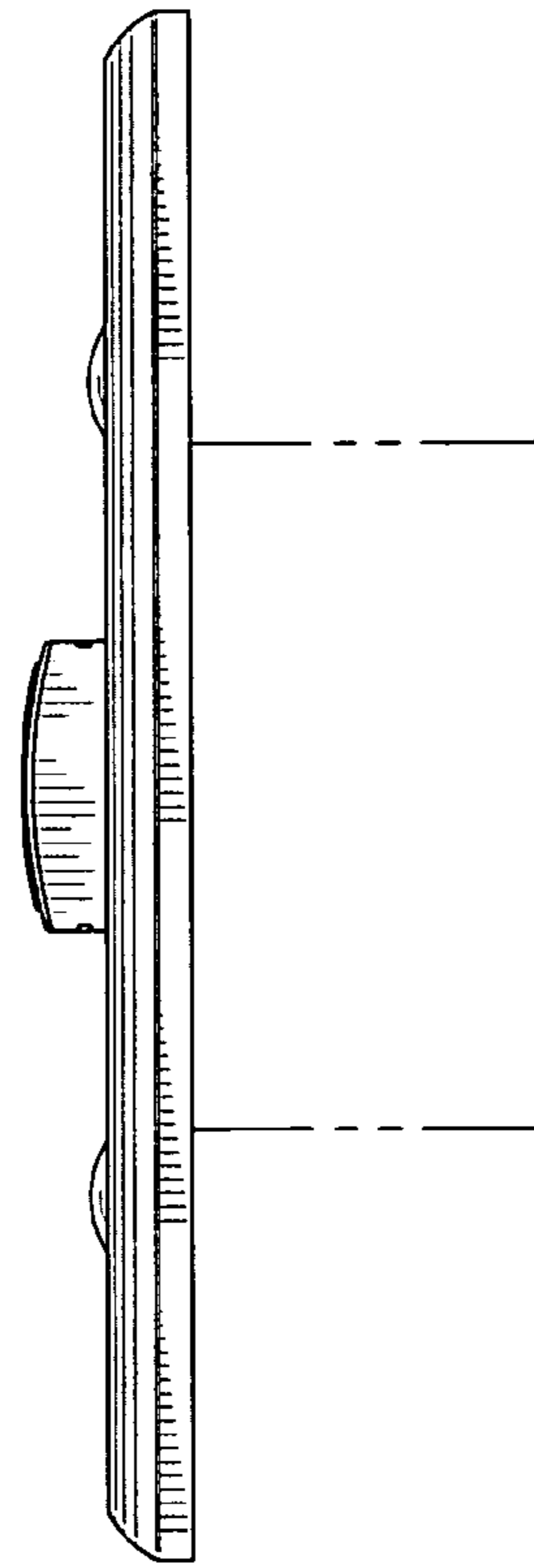


Fig. 10

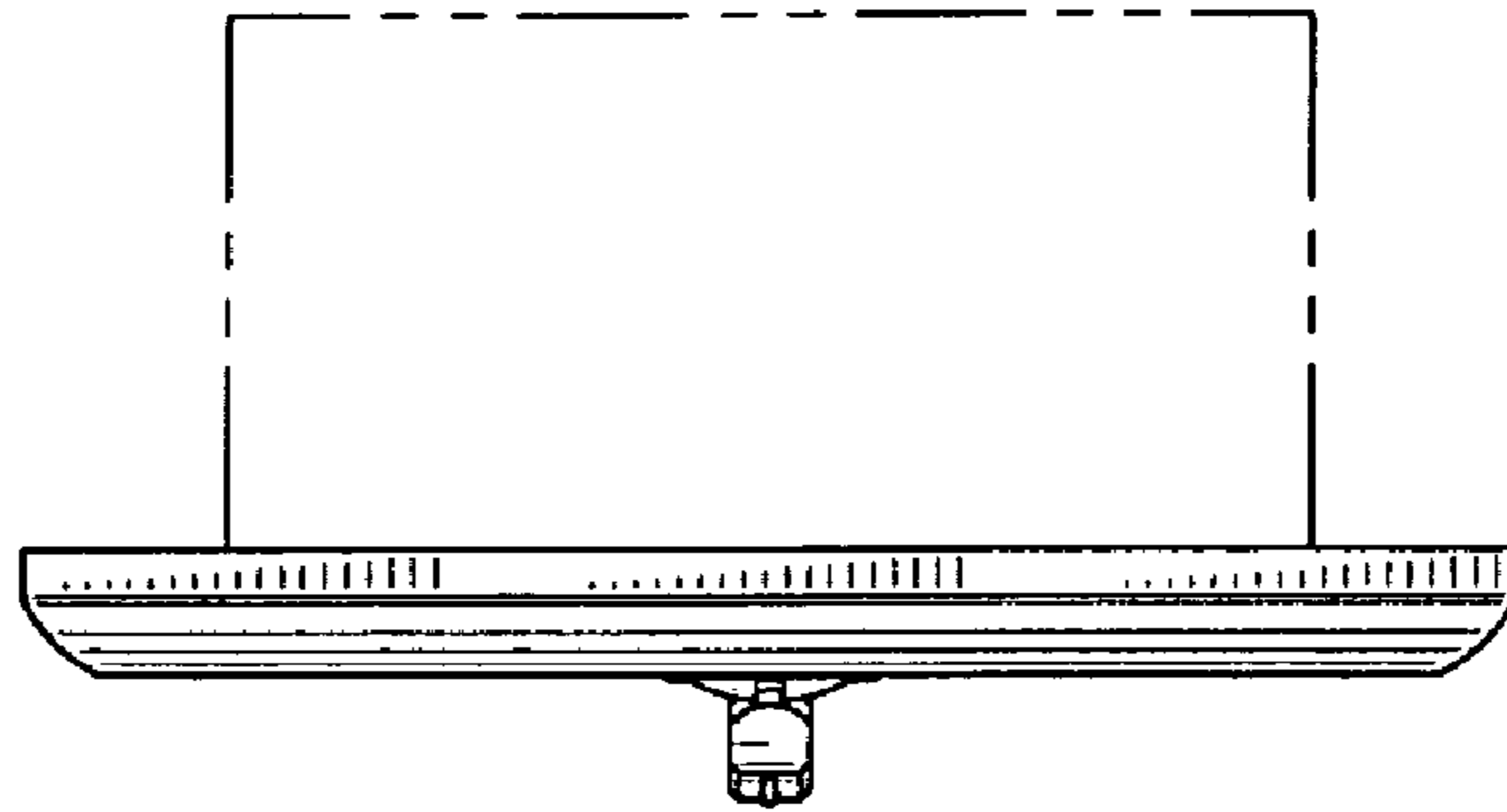


Fig. 11

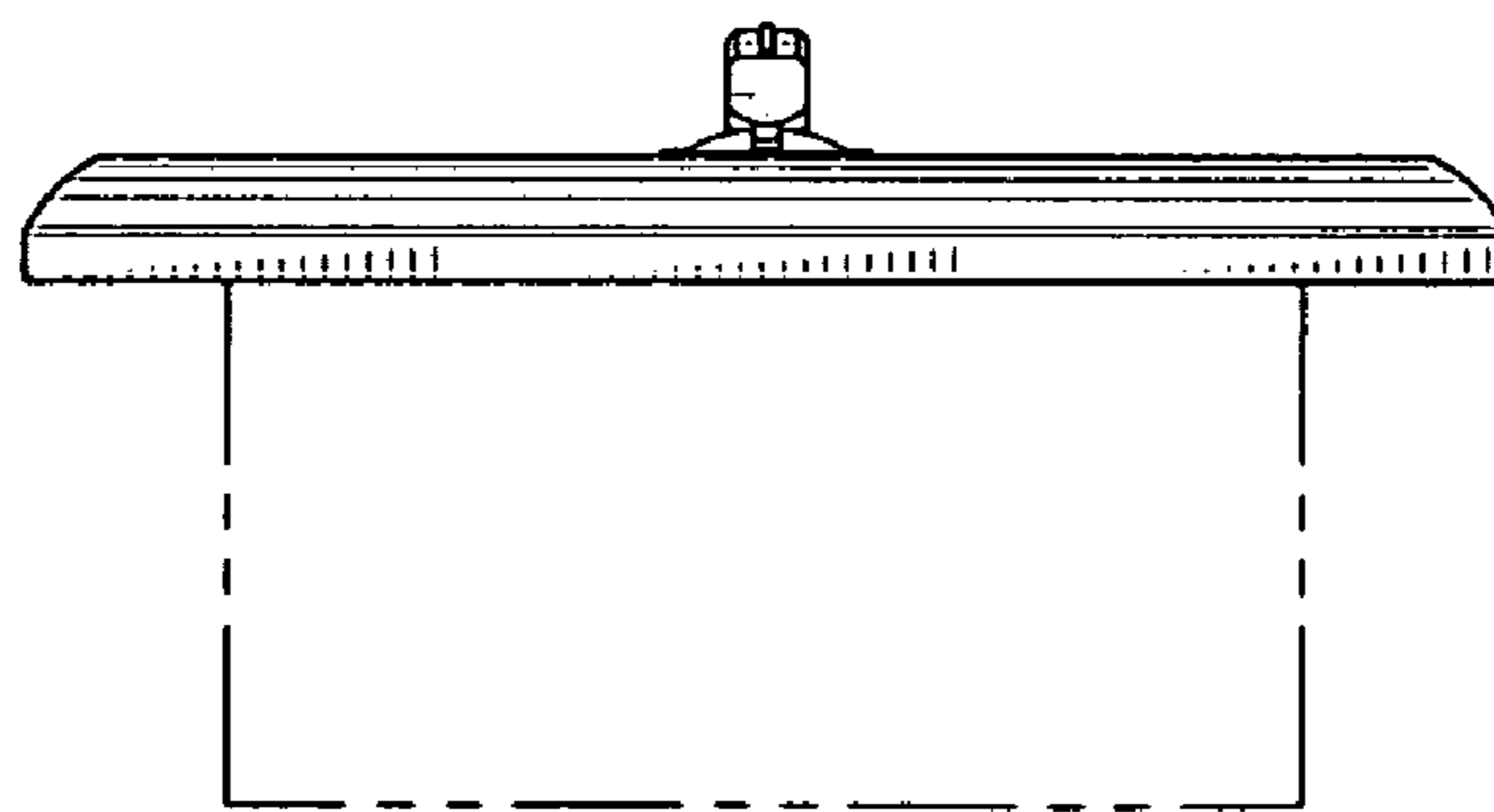


Fig. 12

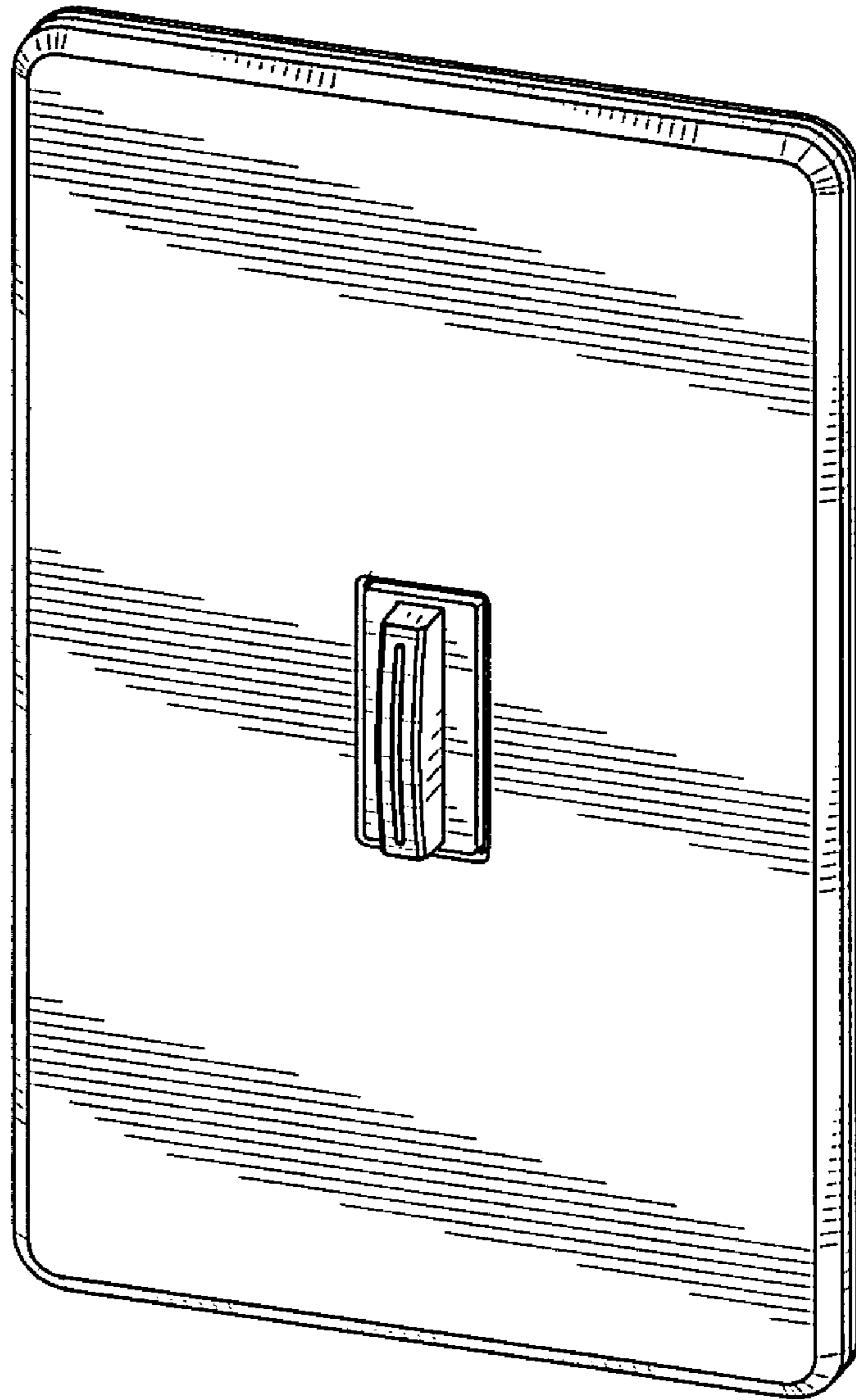


Fig. 13

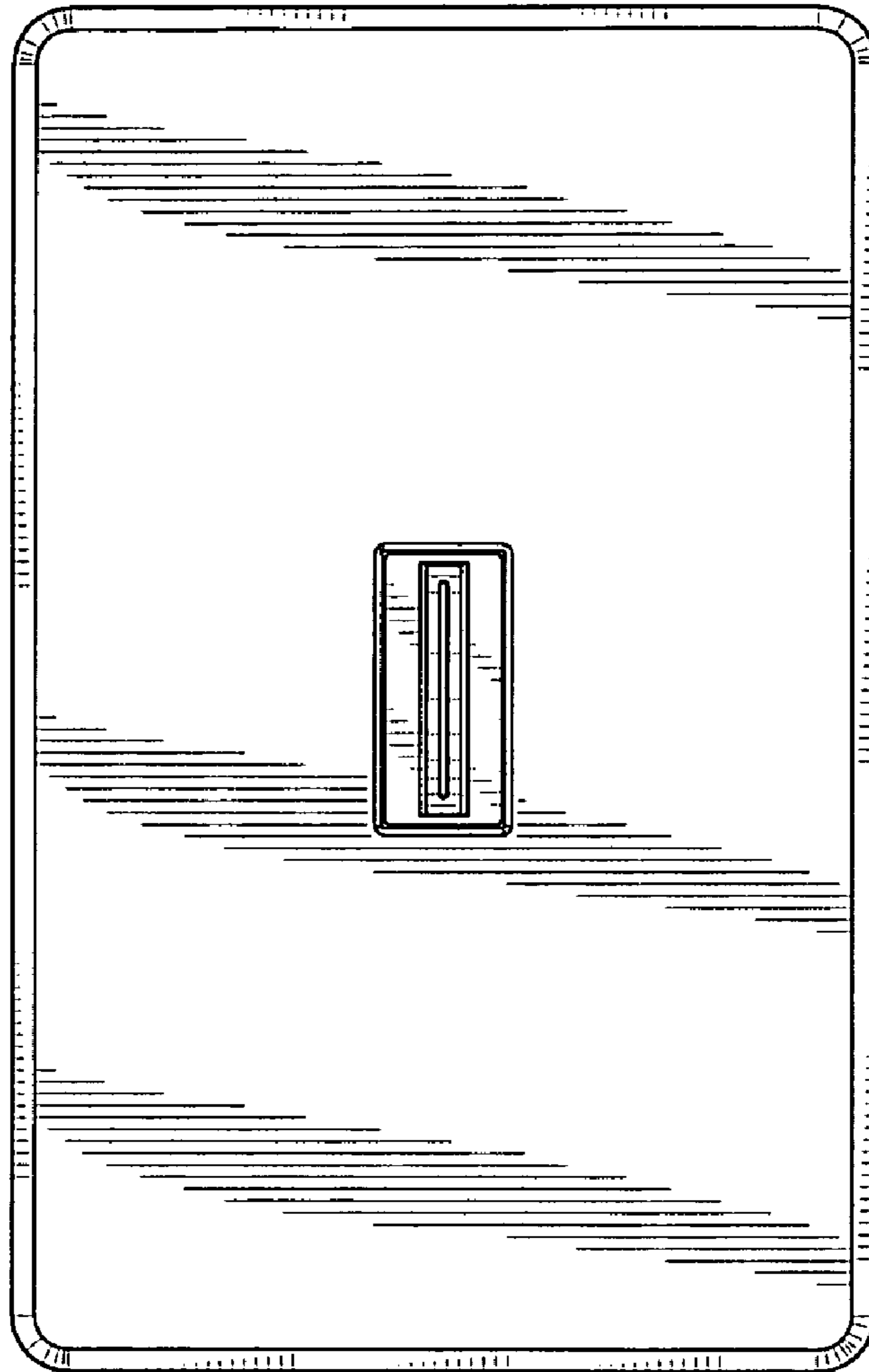


Fig. 14

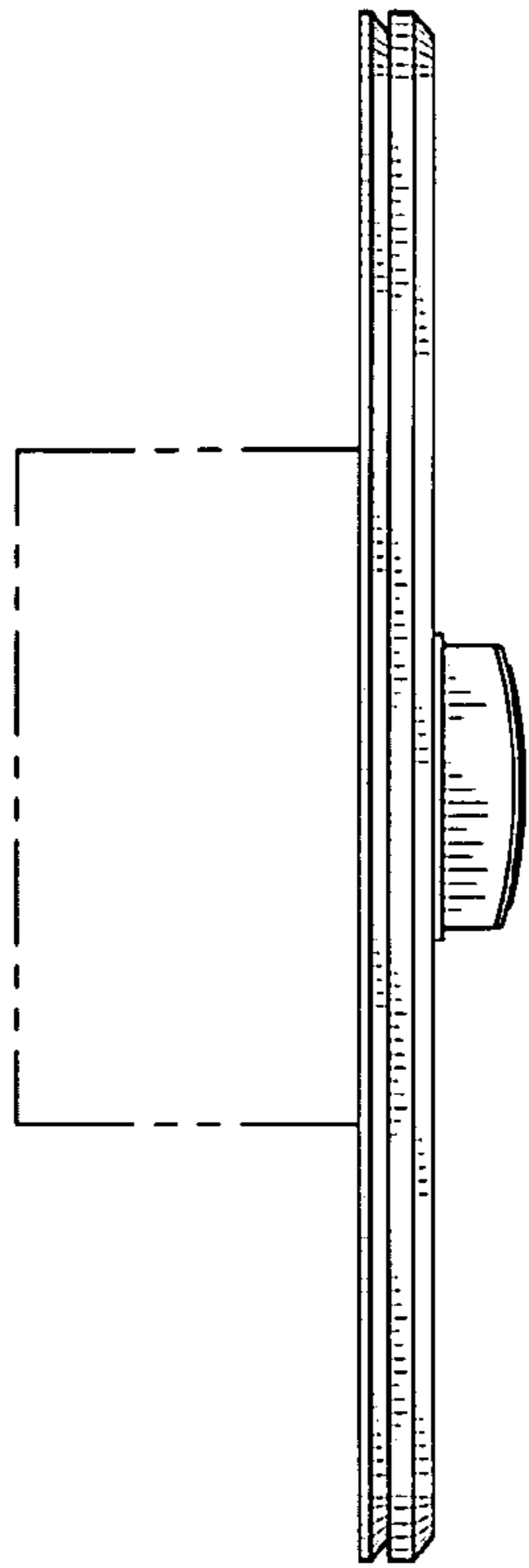


Fig. 15

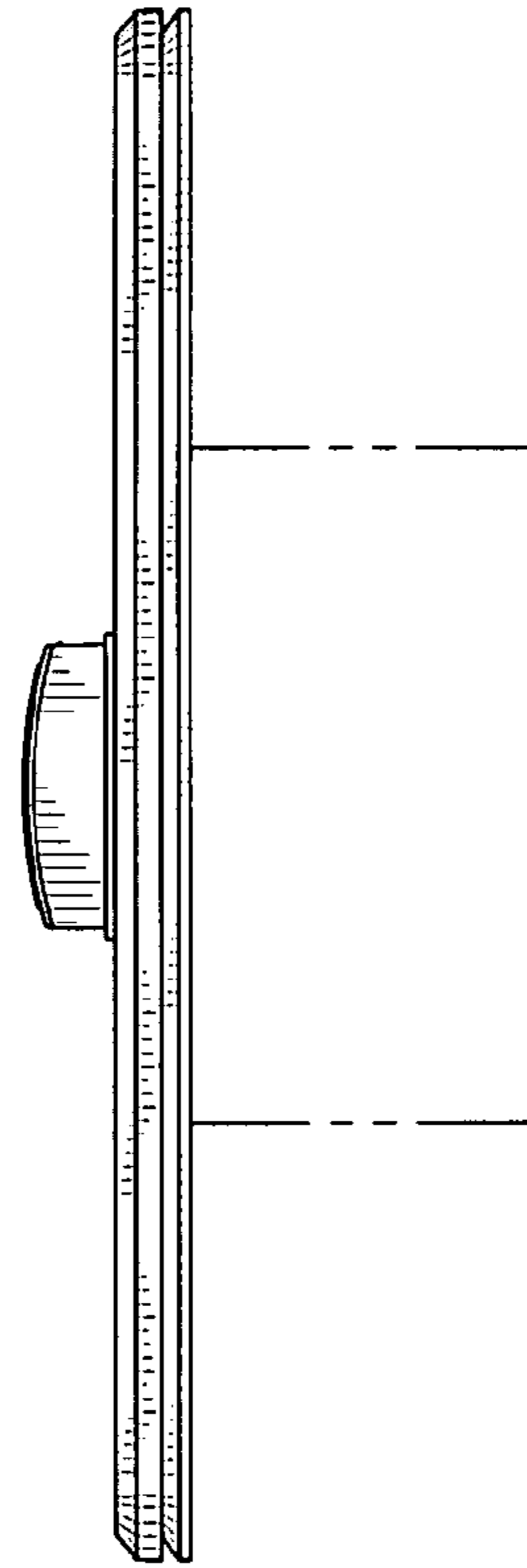


Fig. 16

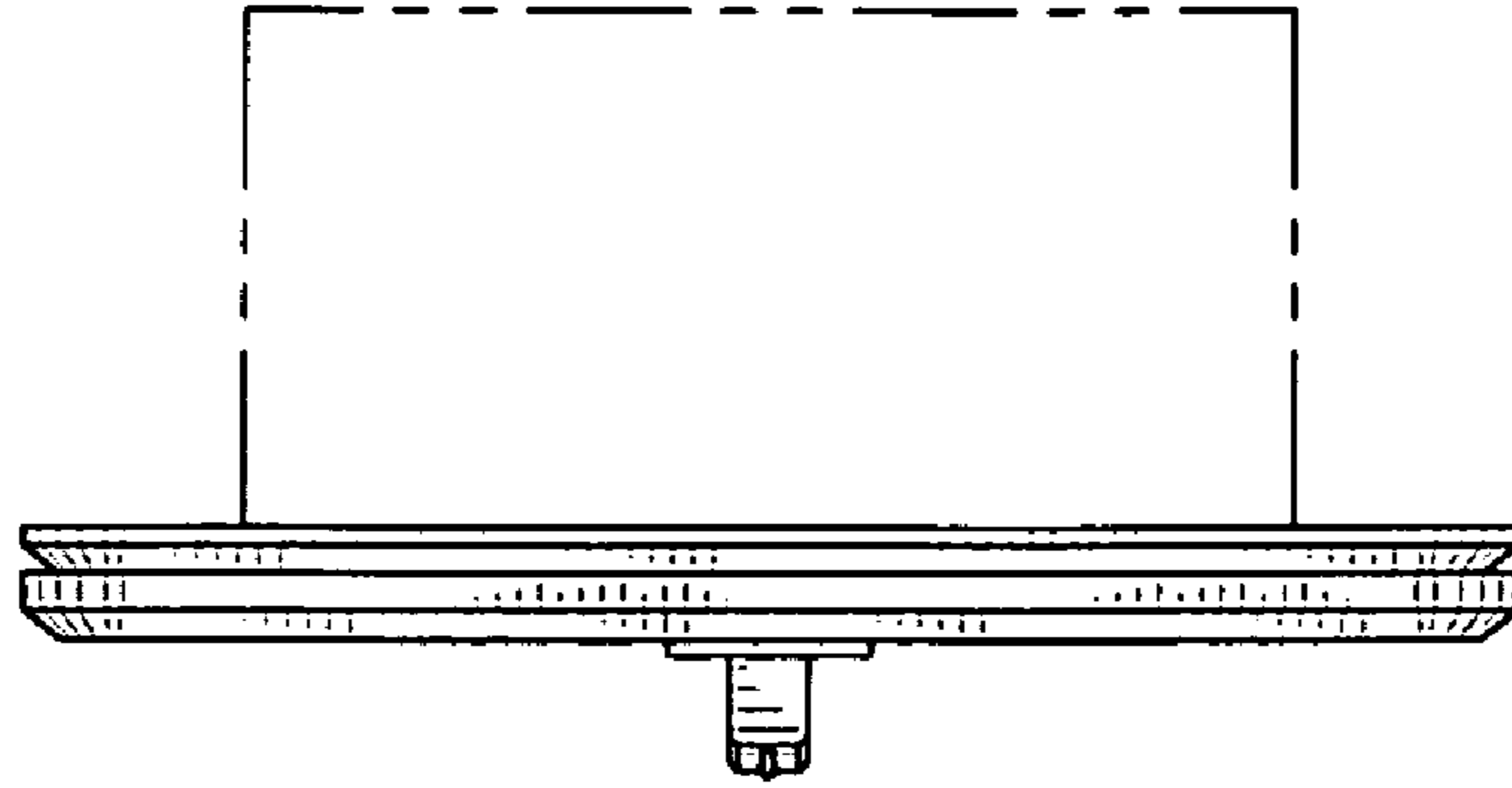


Fig. 17

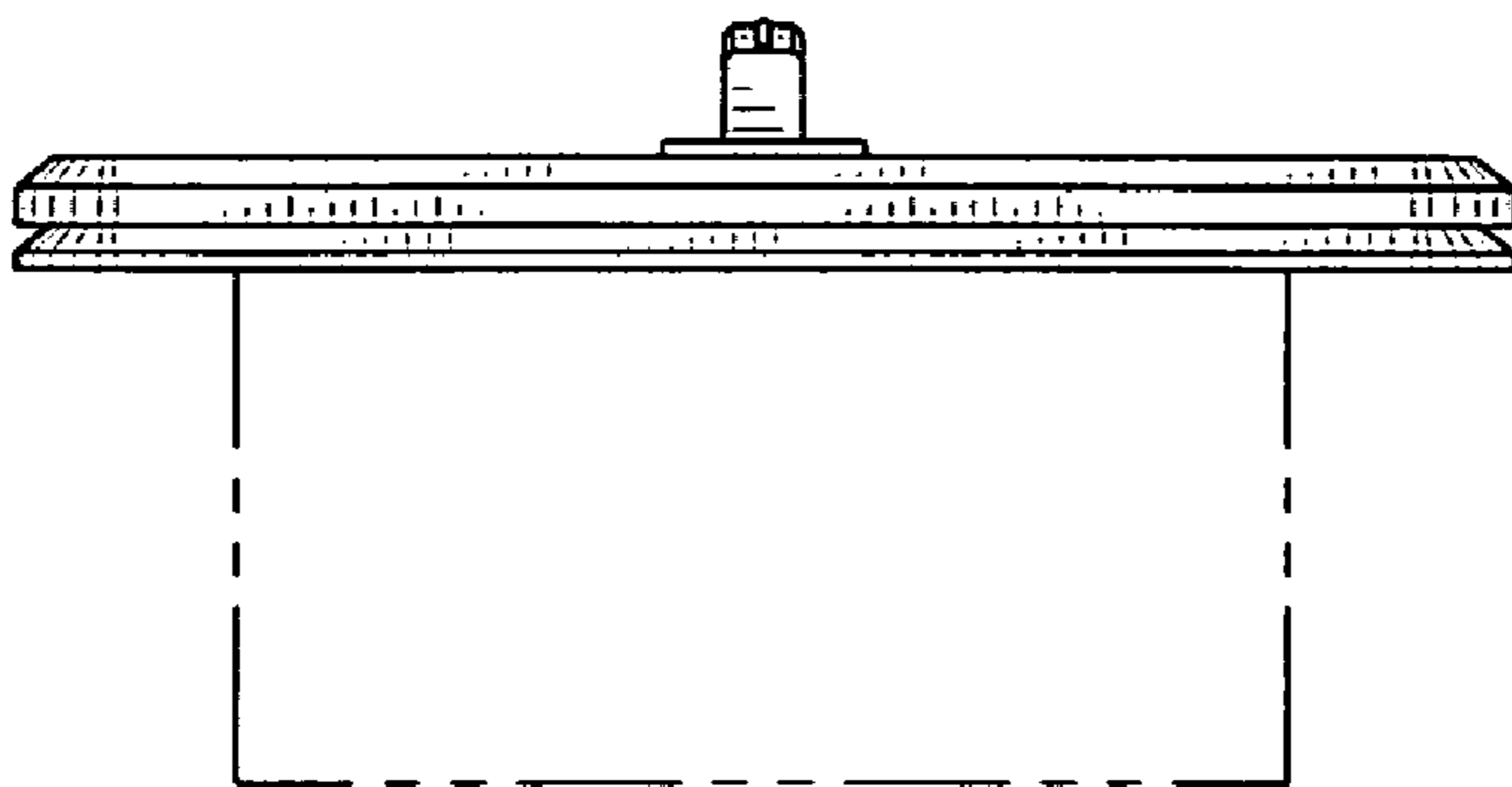


Fig. 18

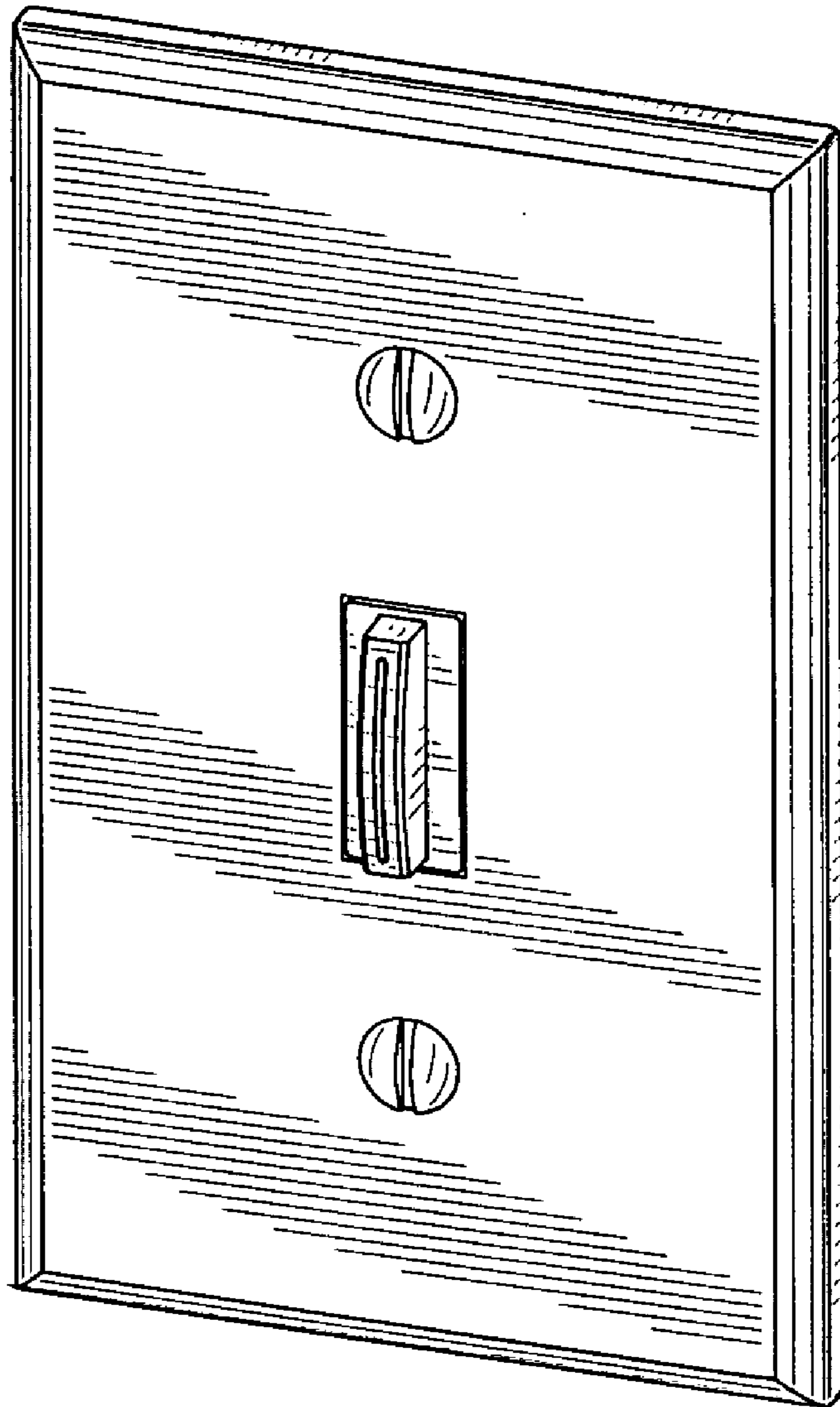


Fig. 19

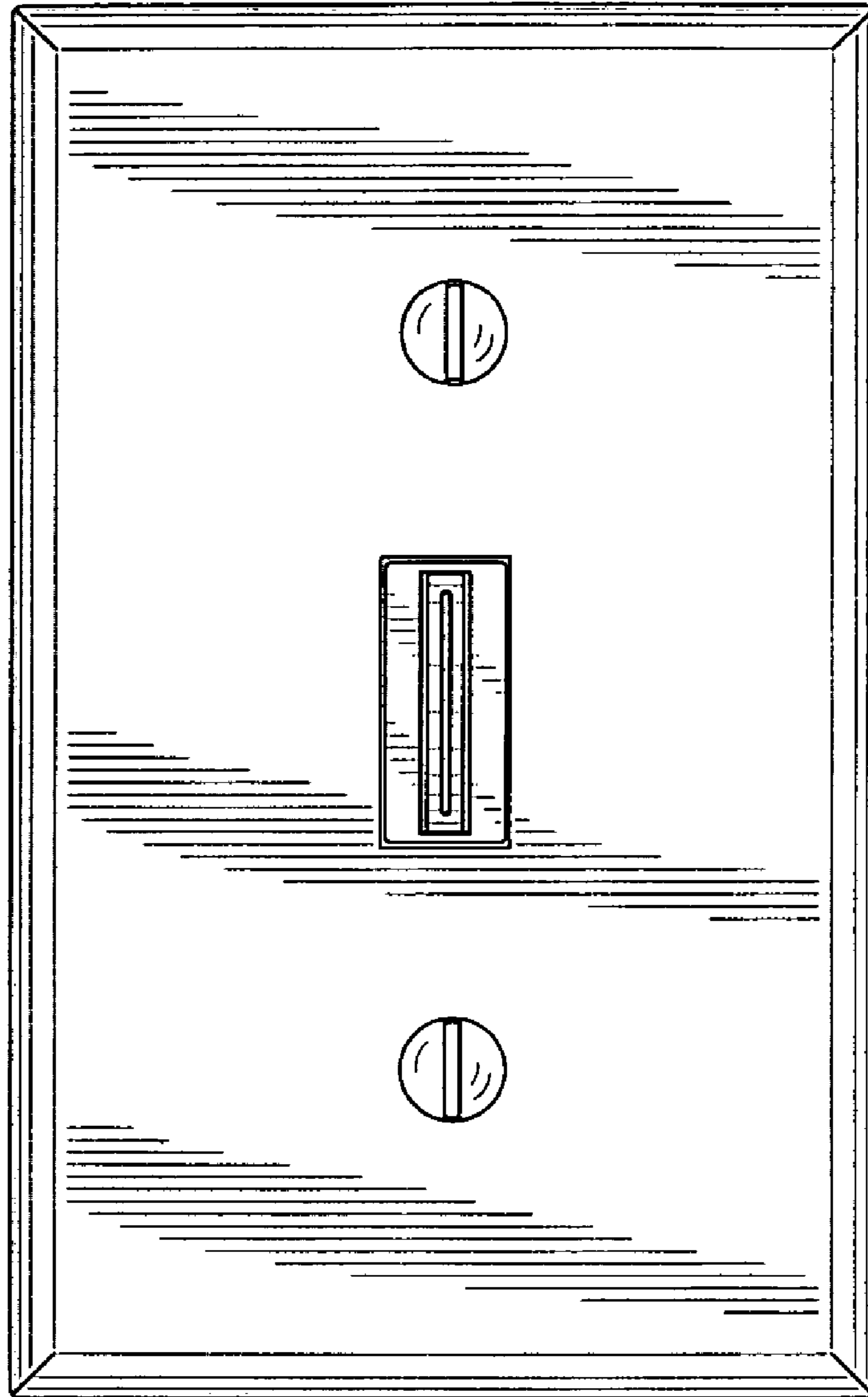


Fig. 20

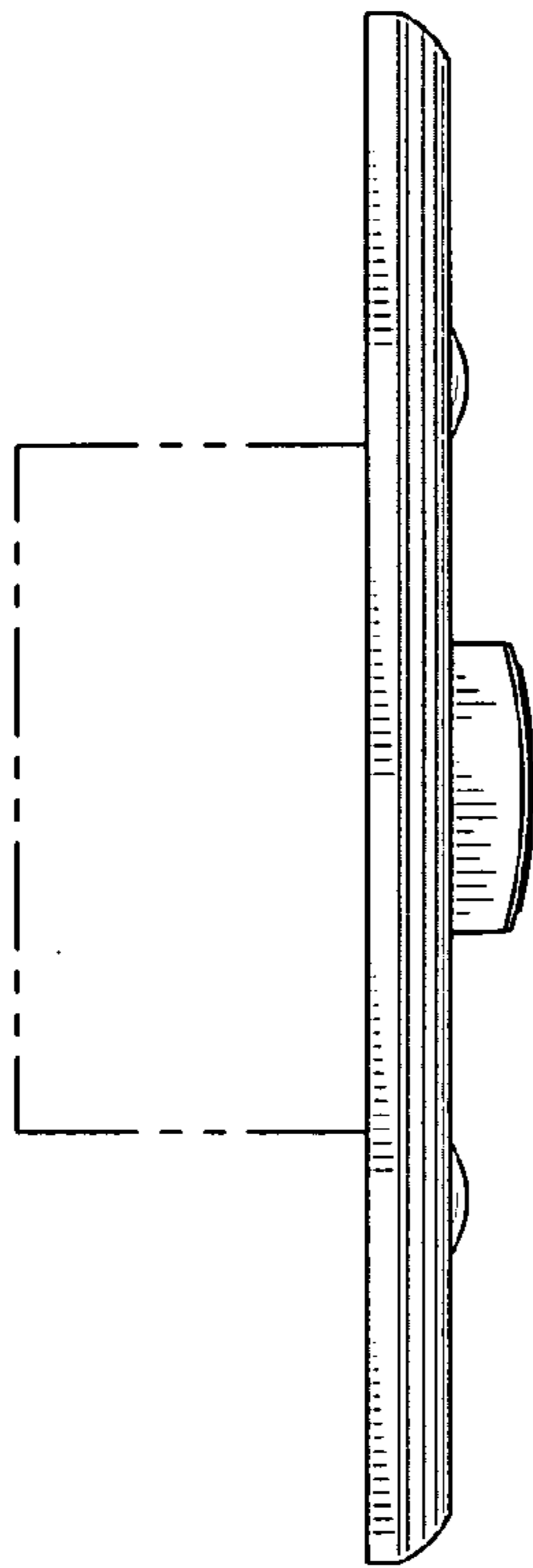


Fig. 21

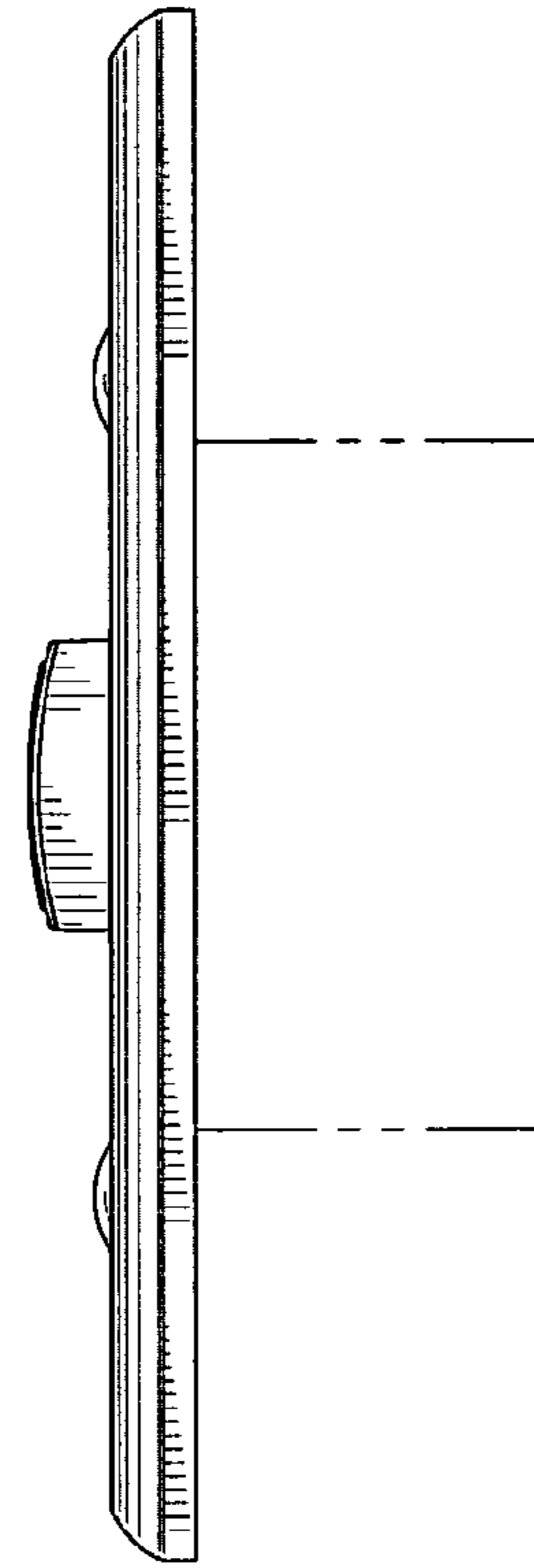


Fig. 22

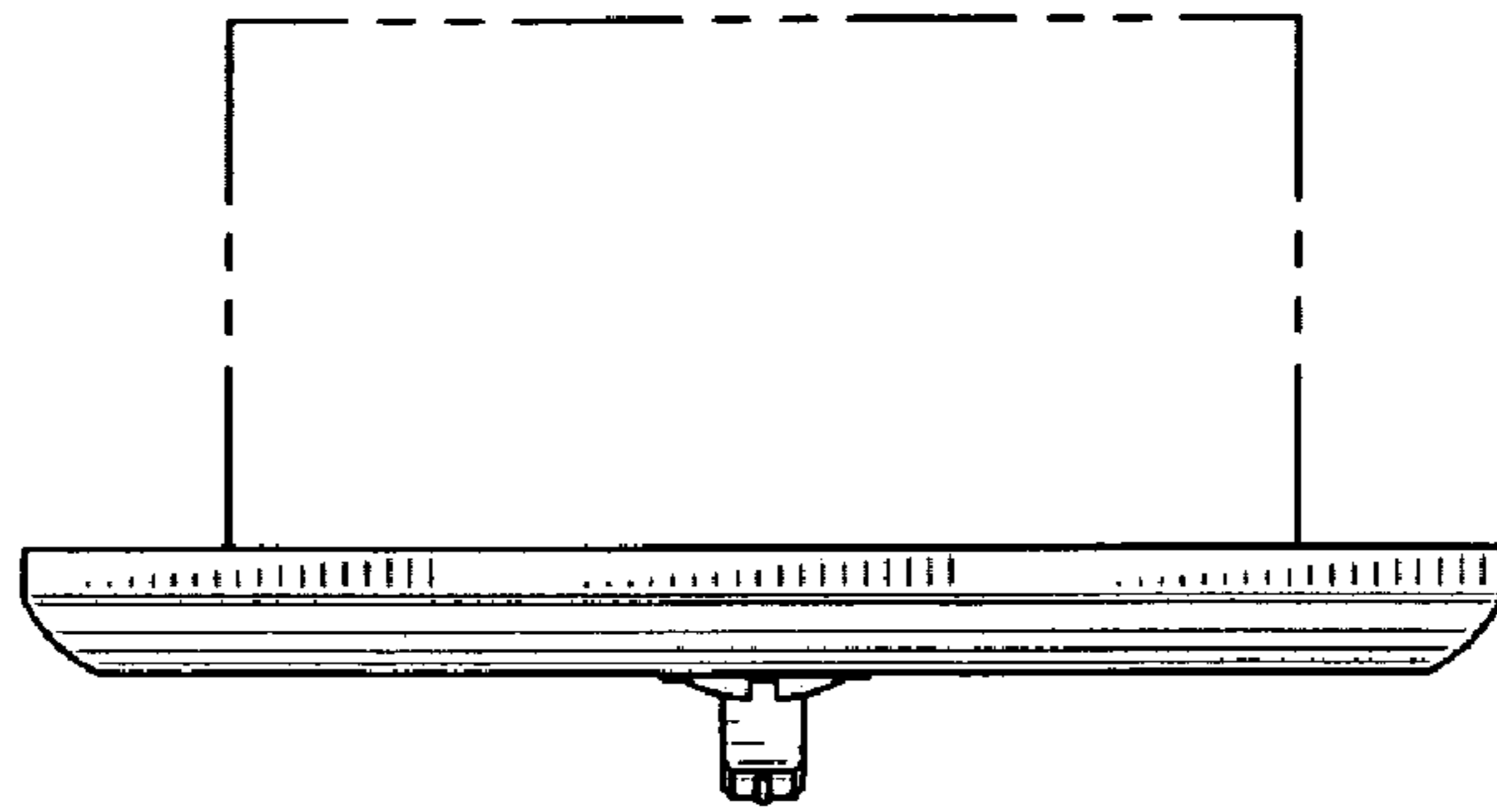


Fig. 23

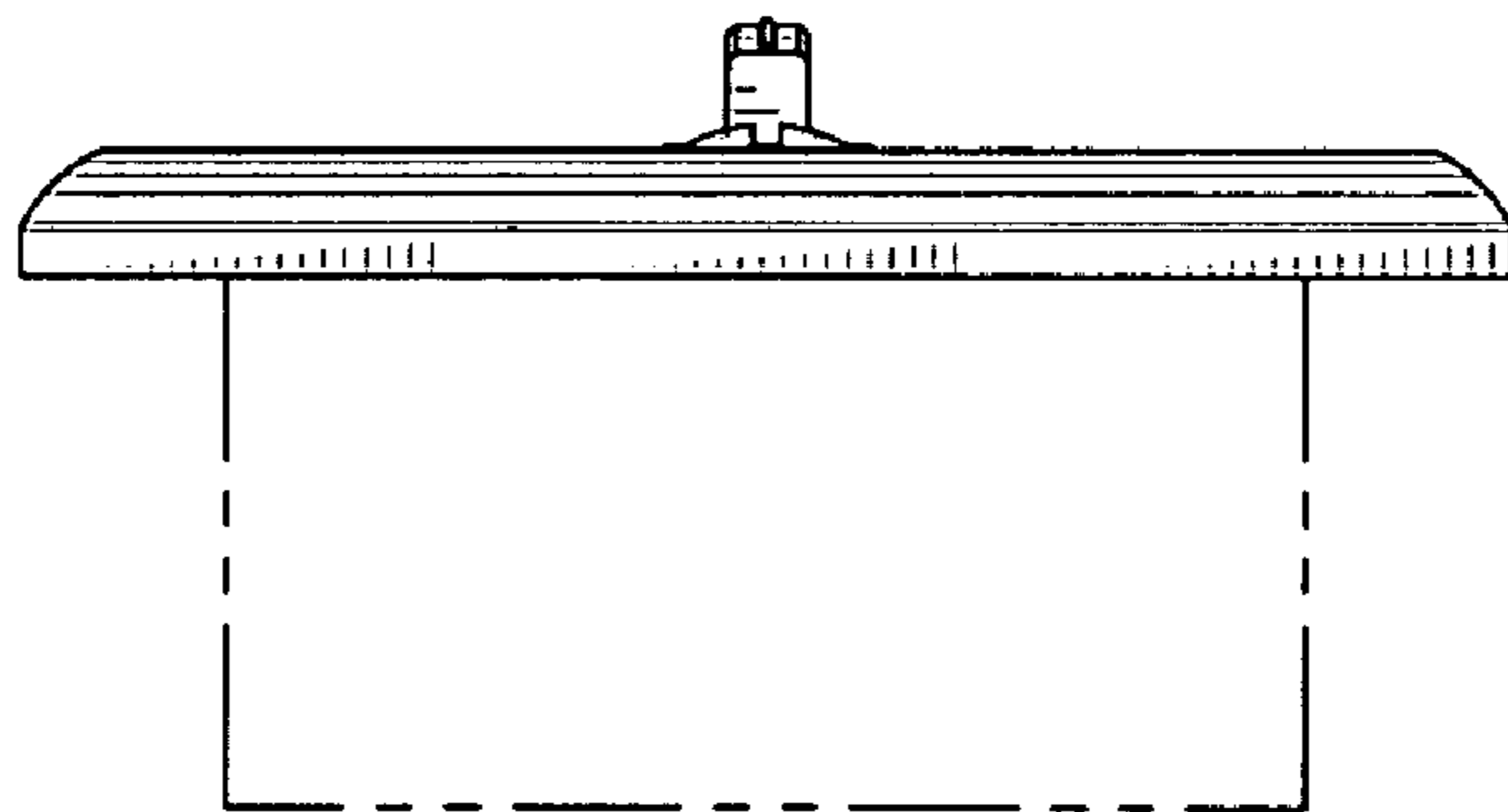


Fig. 24

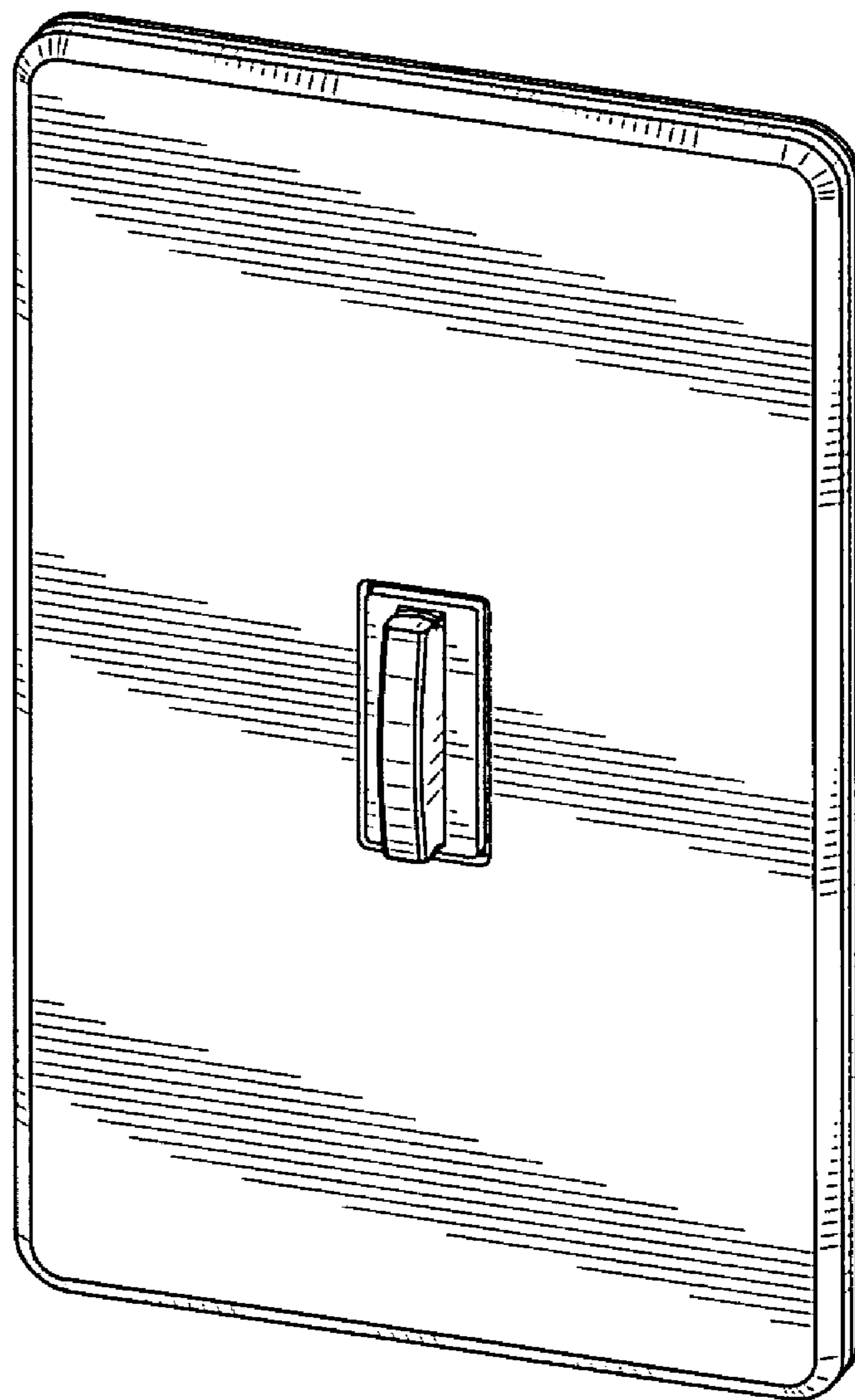


Fig. 25

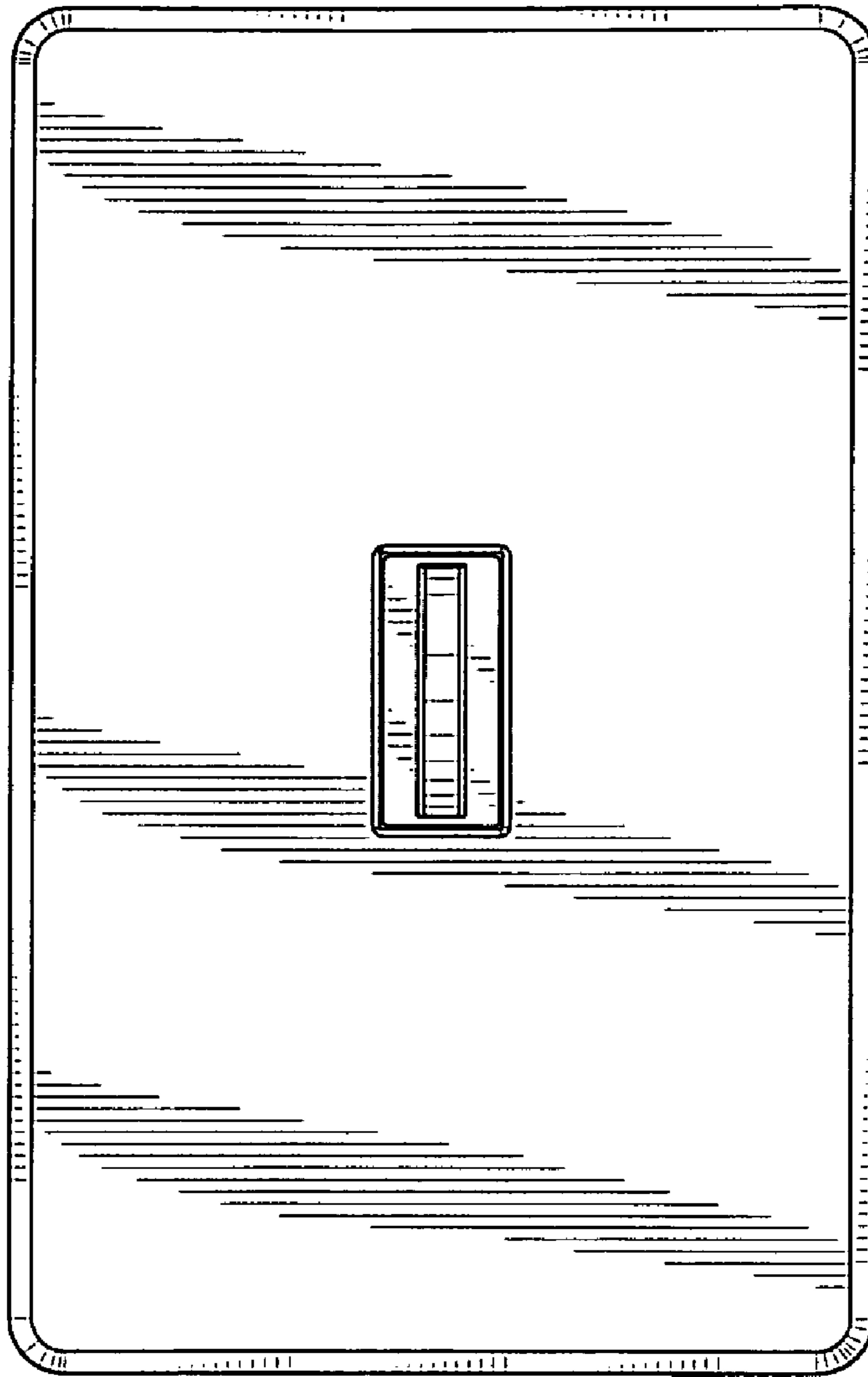


Fig. 26

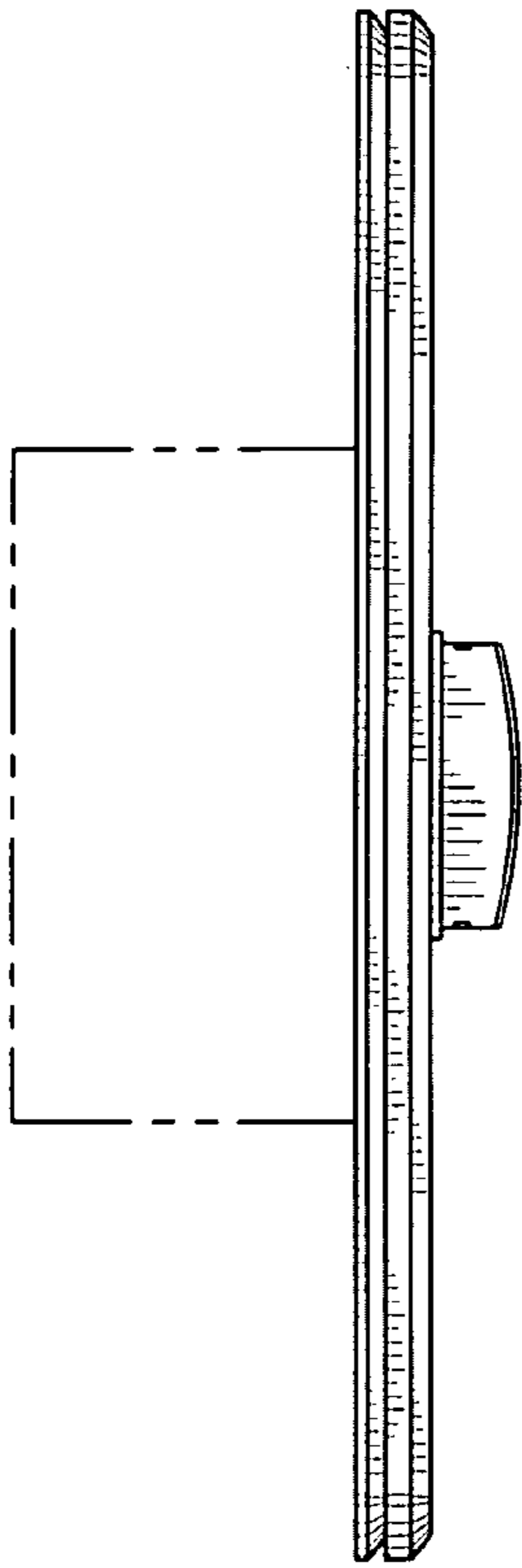


Fig. 27

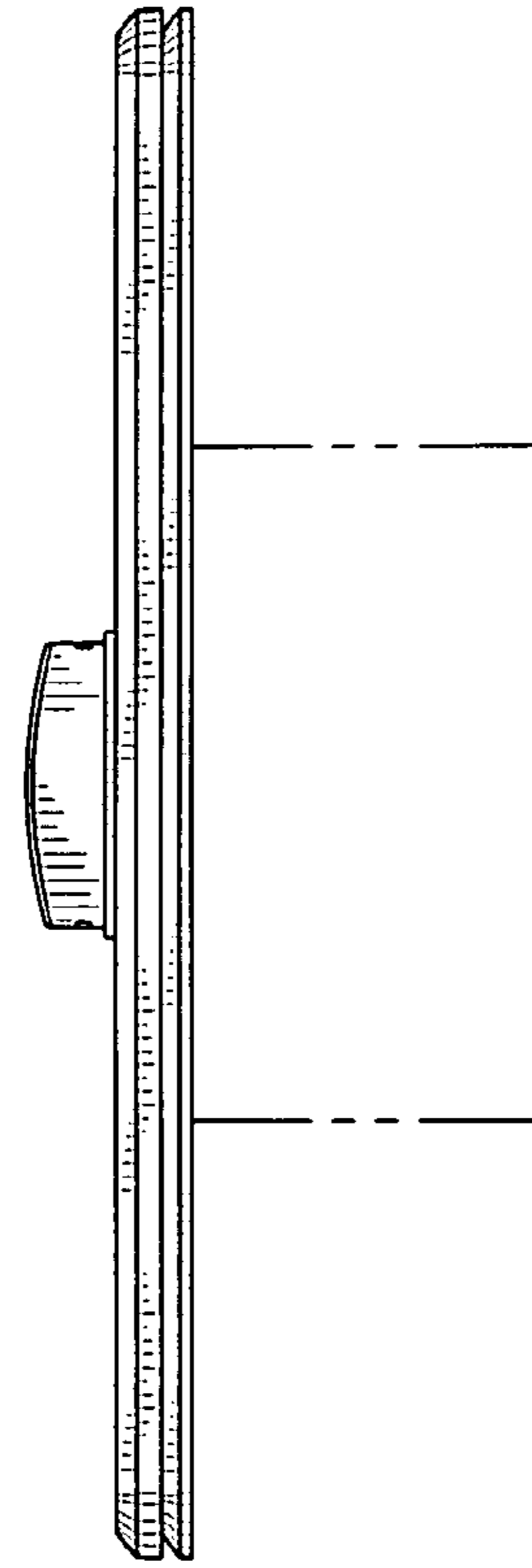


Fig. 28

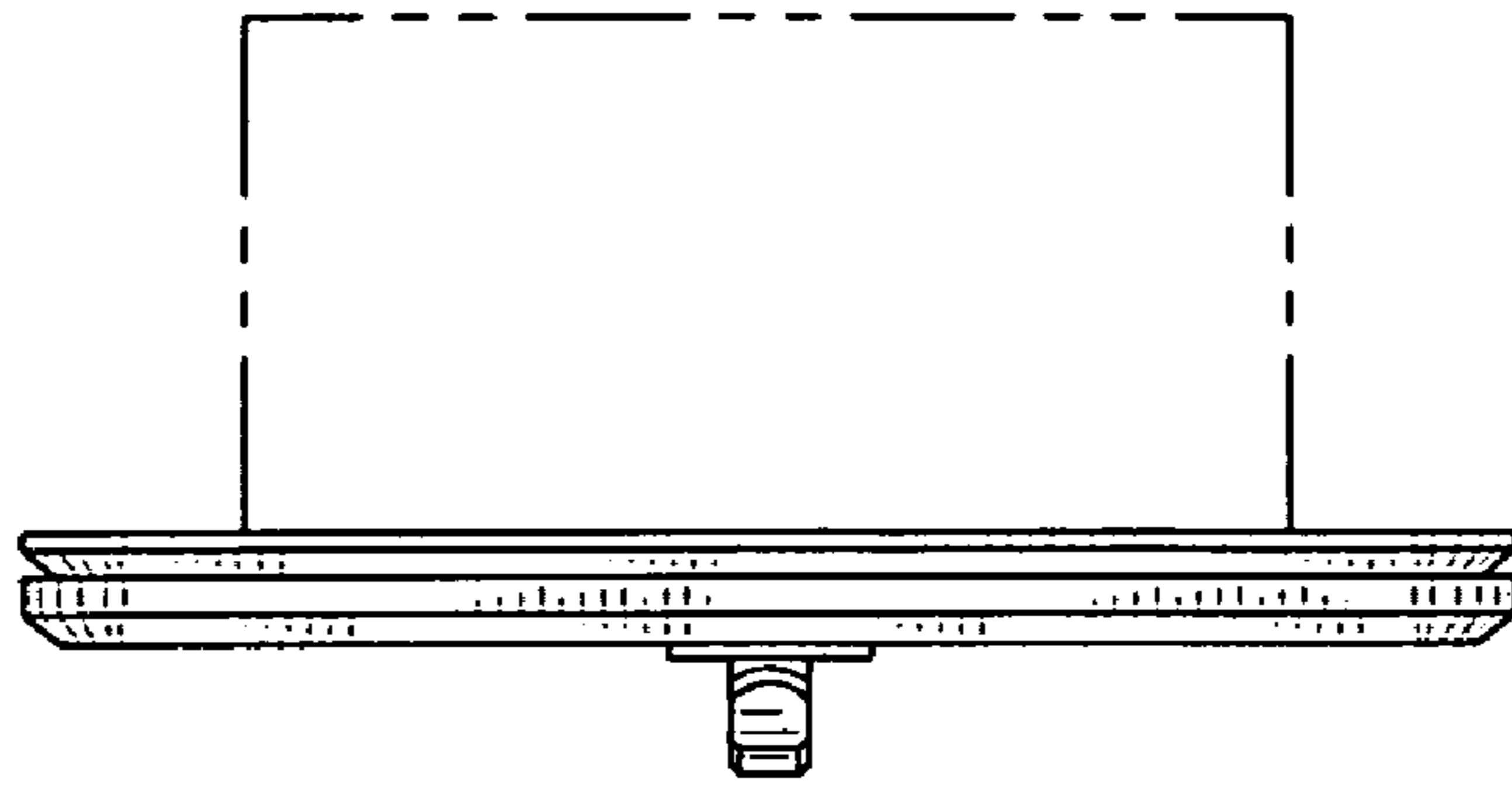


Fig. 29

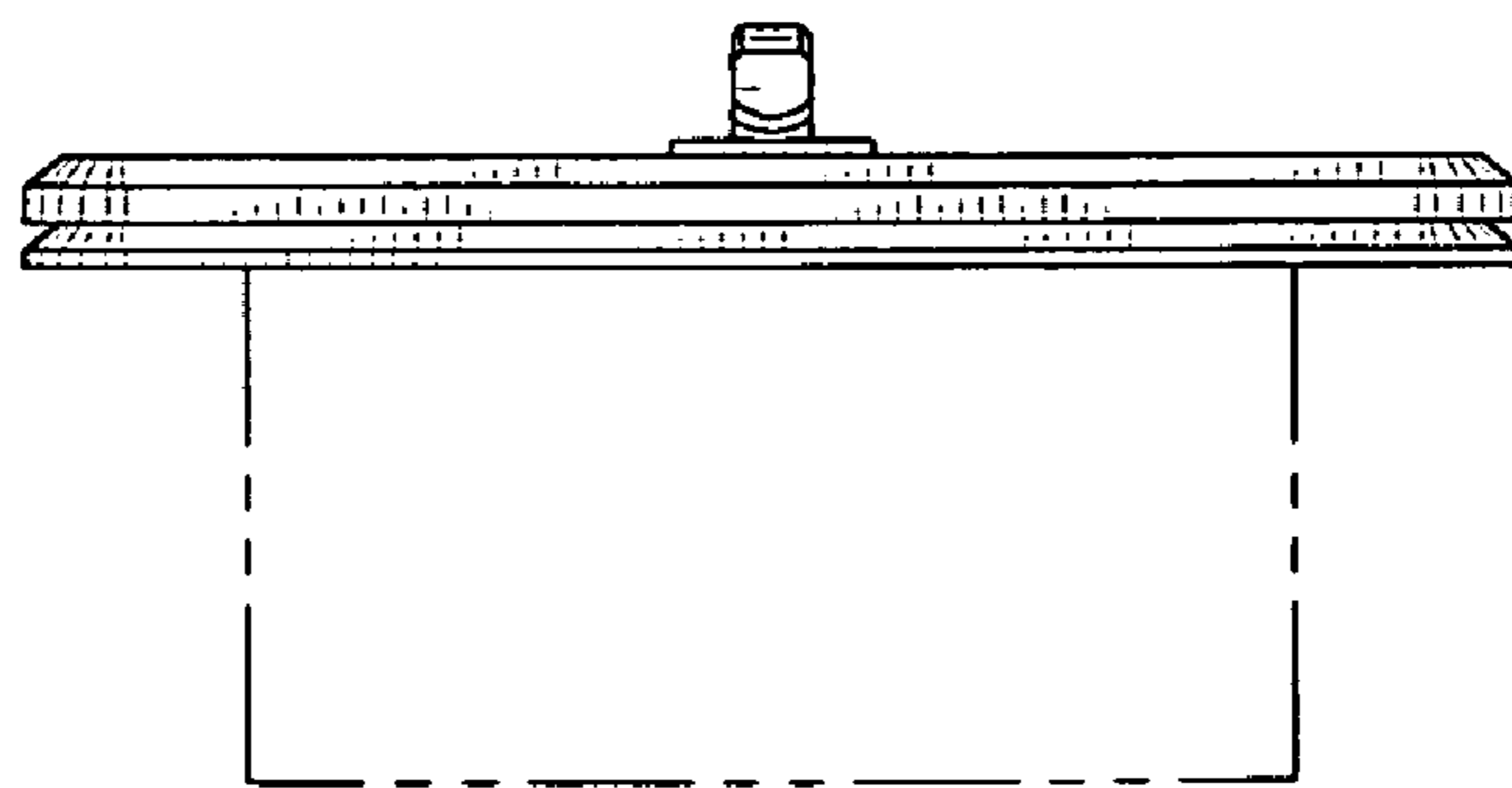


Fig. 30

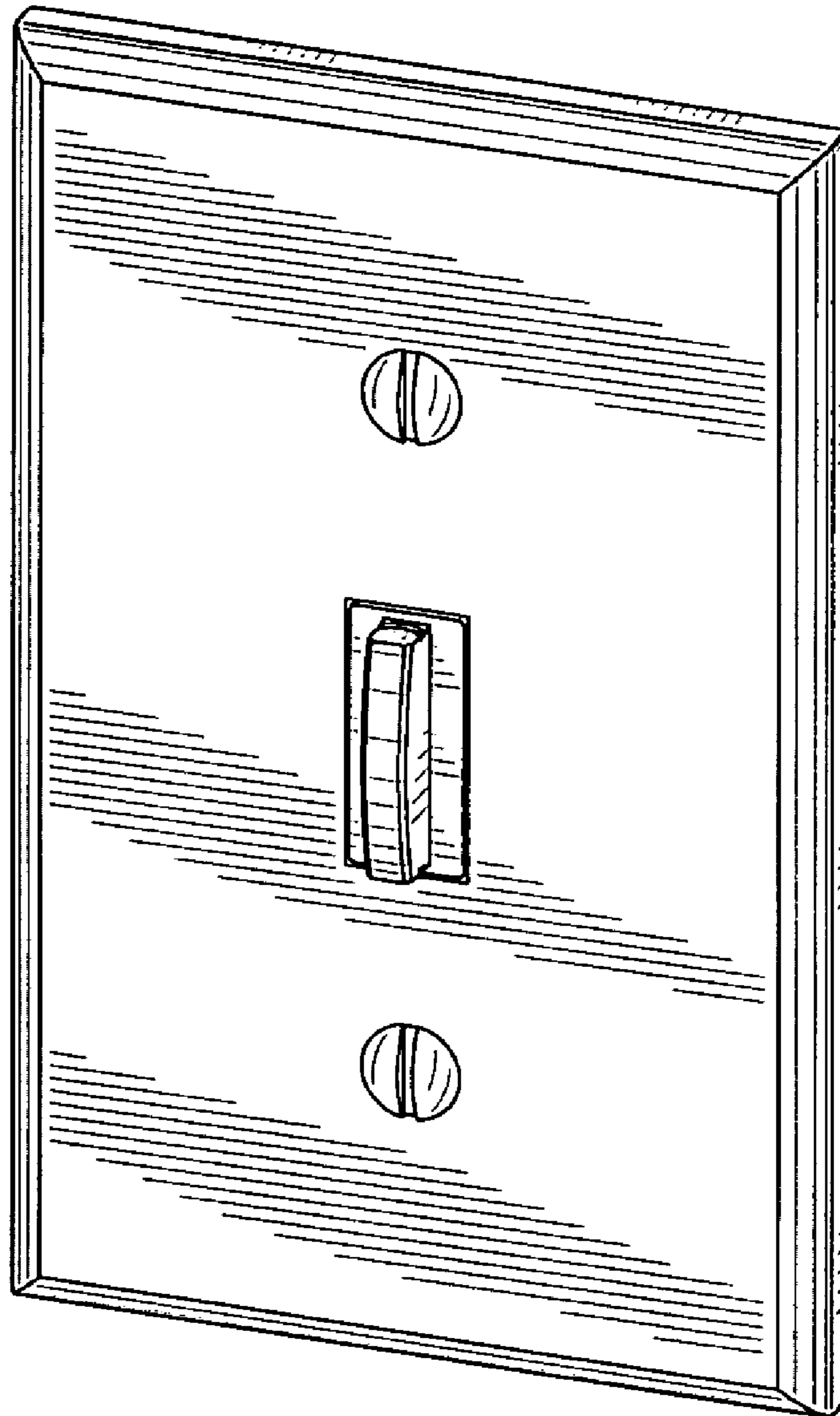


Fig. 31

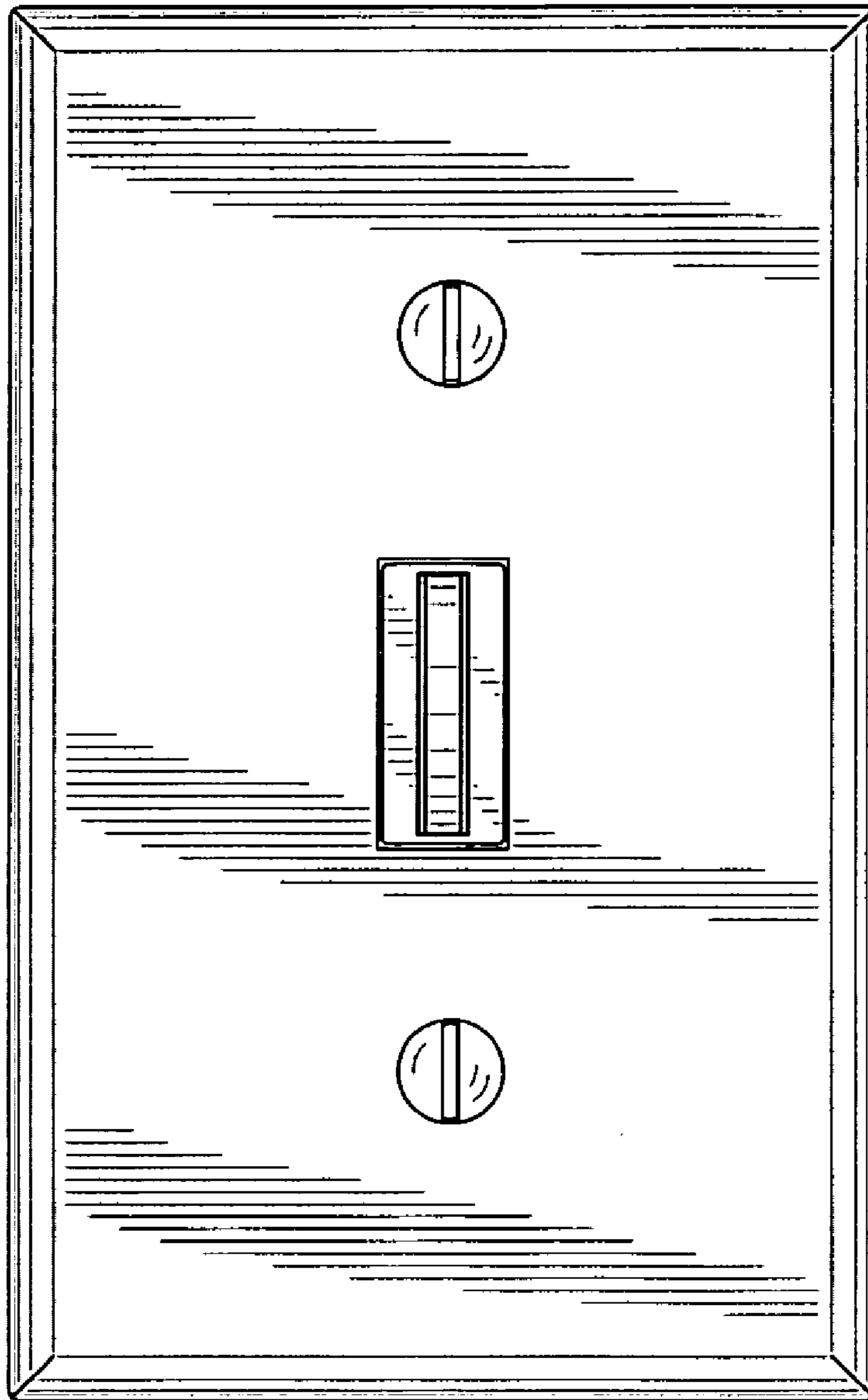


Fig. 32

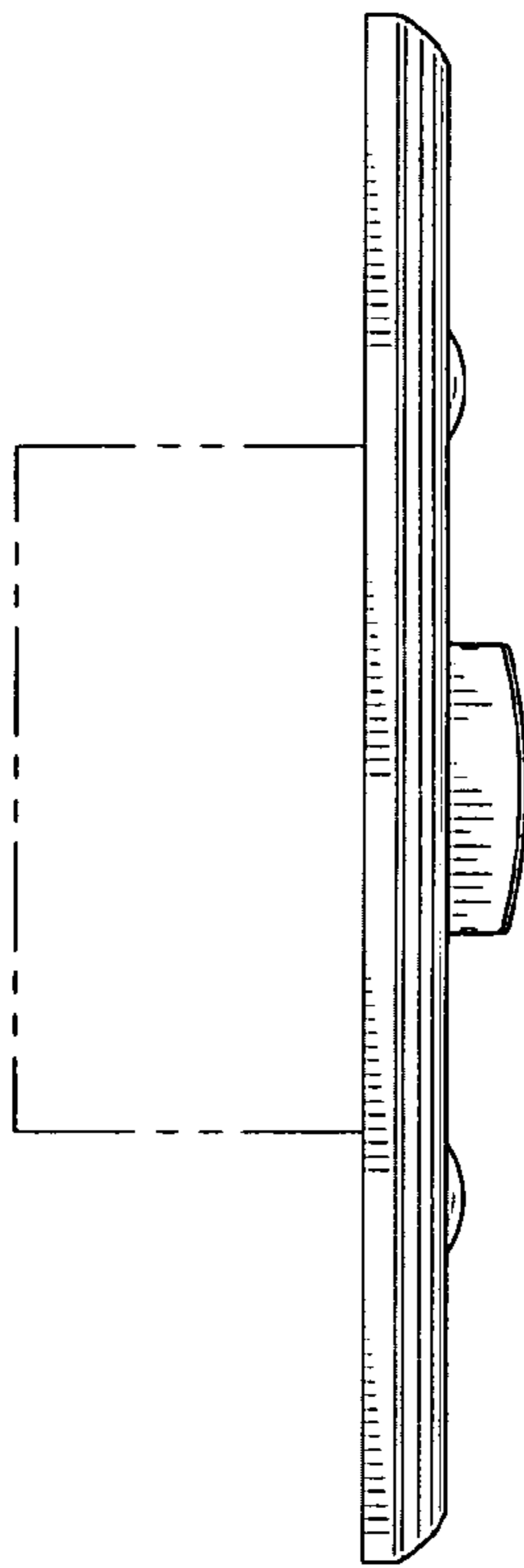


Fig. 33

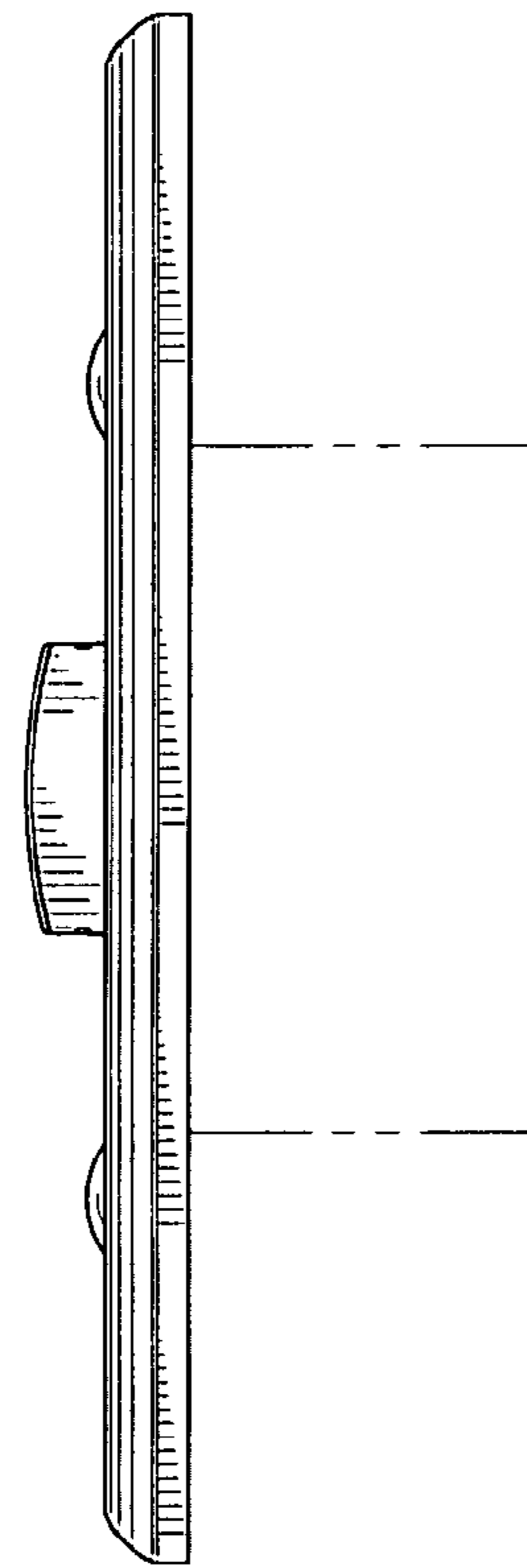


Fig. 34

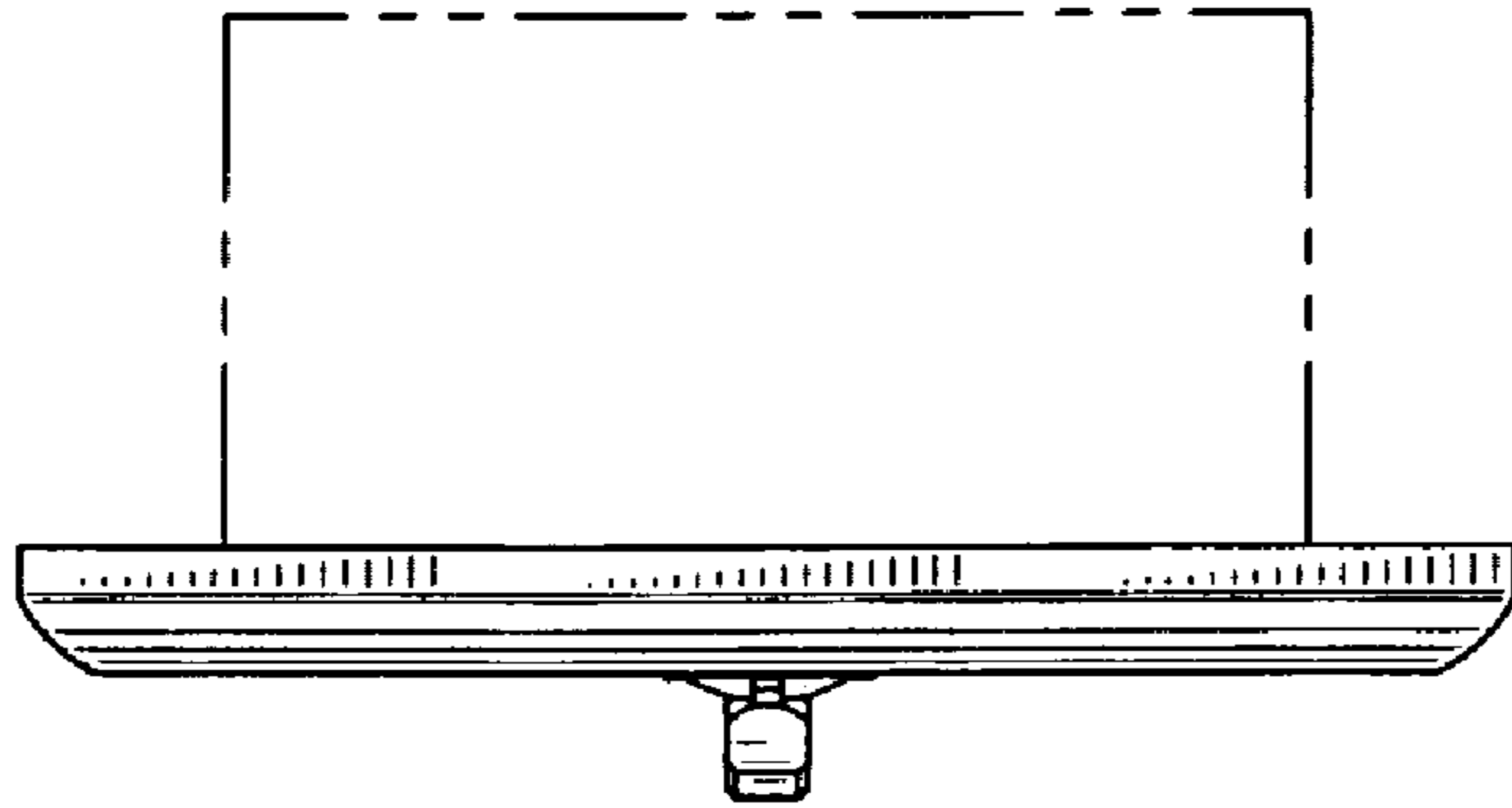


Fig. 35

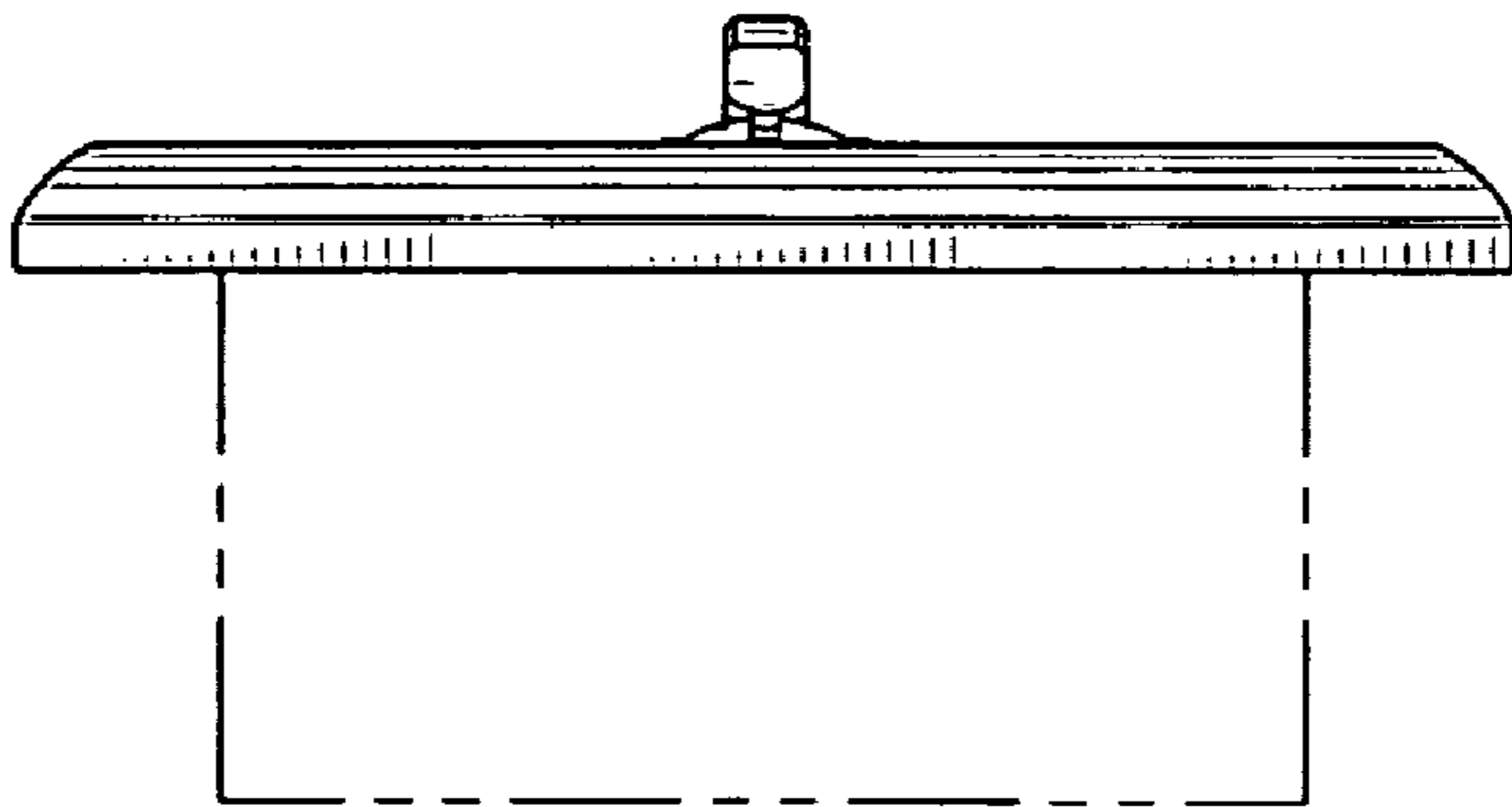


Fig. 36

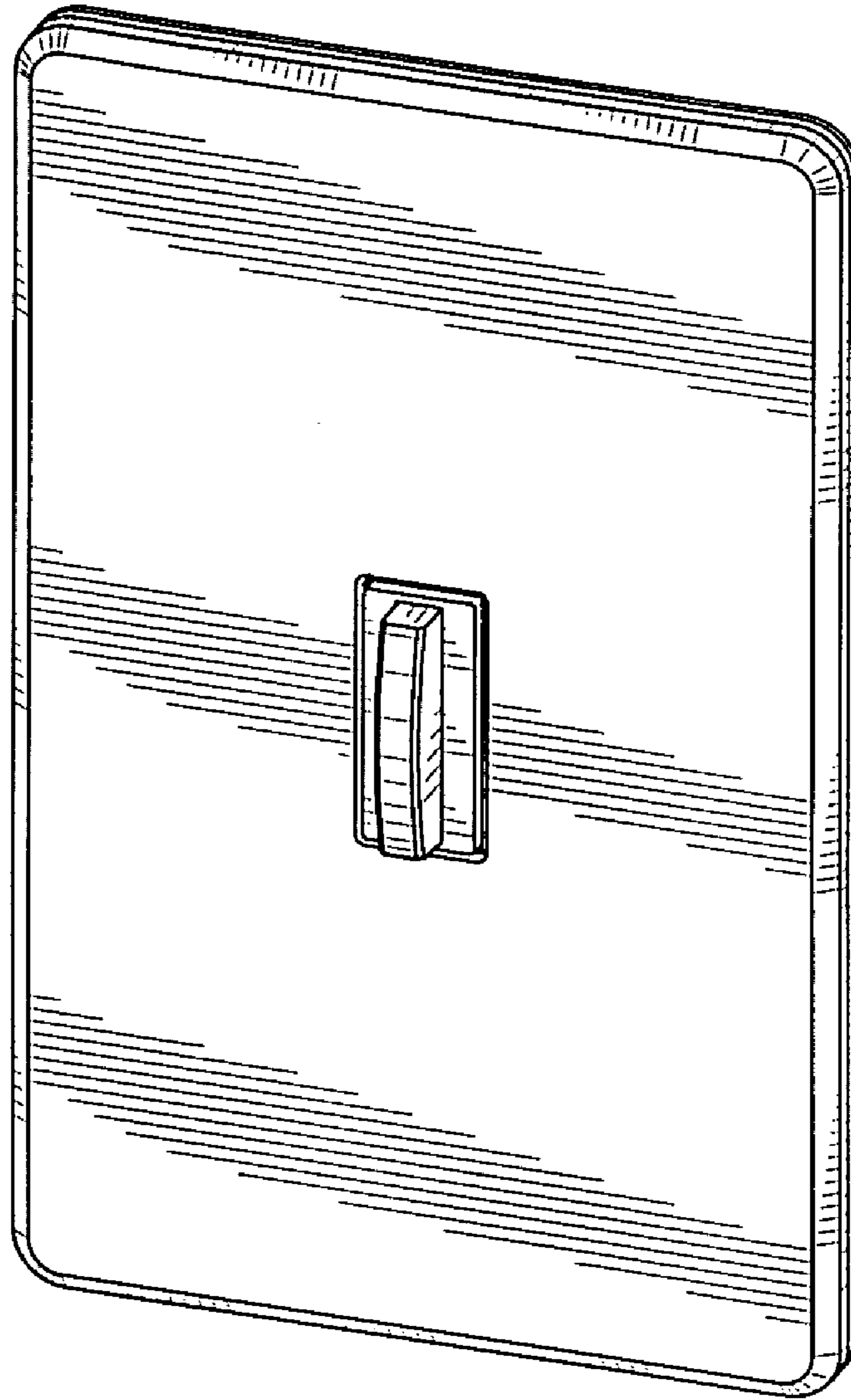


Fig. 37

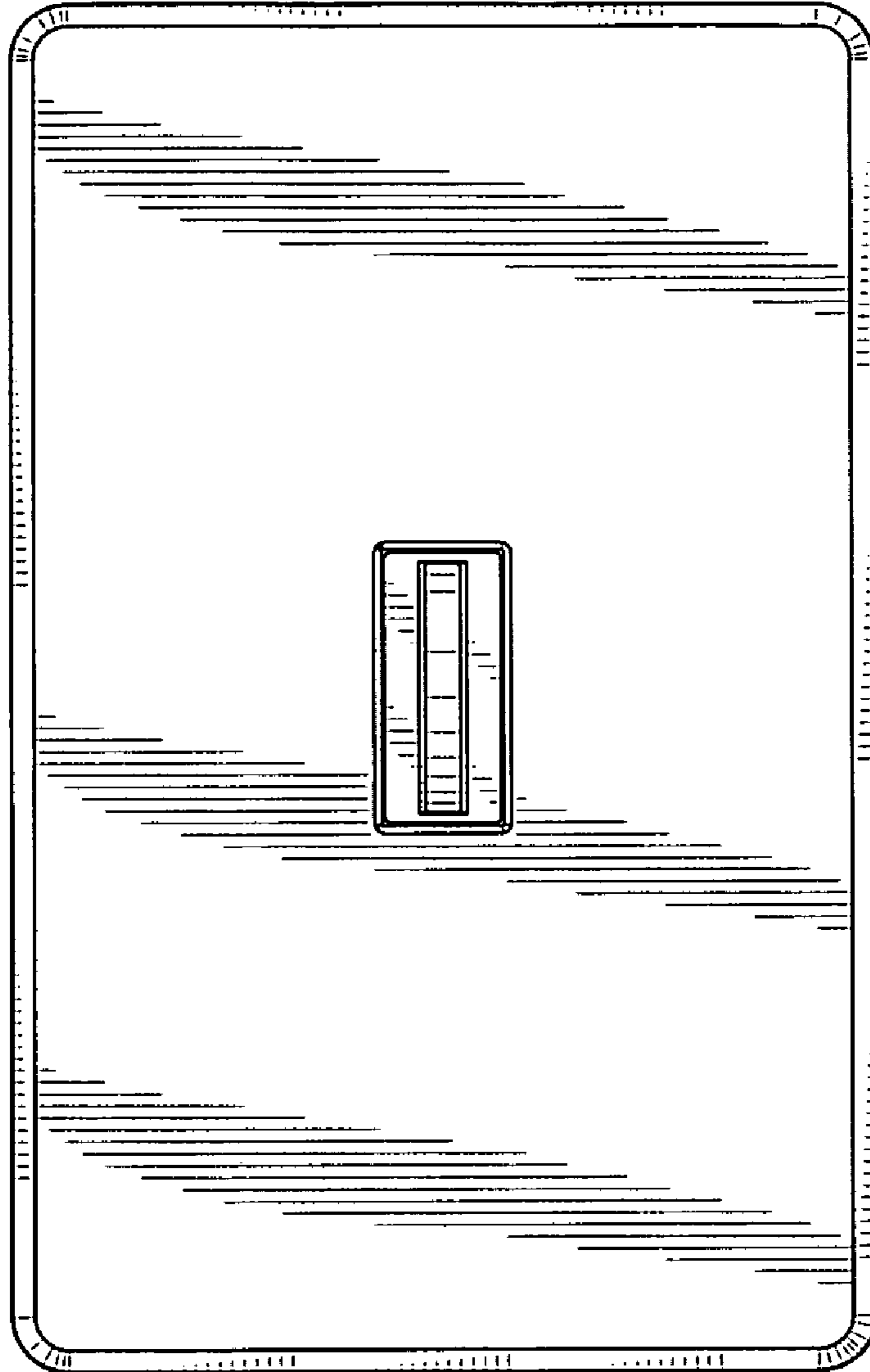


Fig. 38

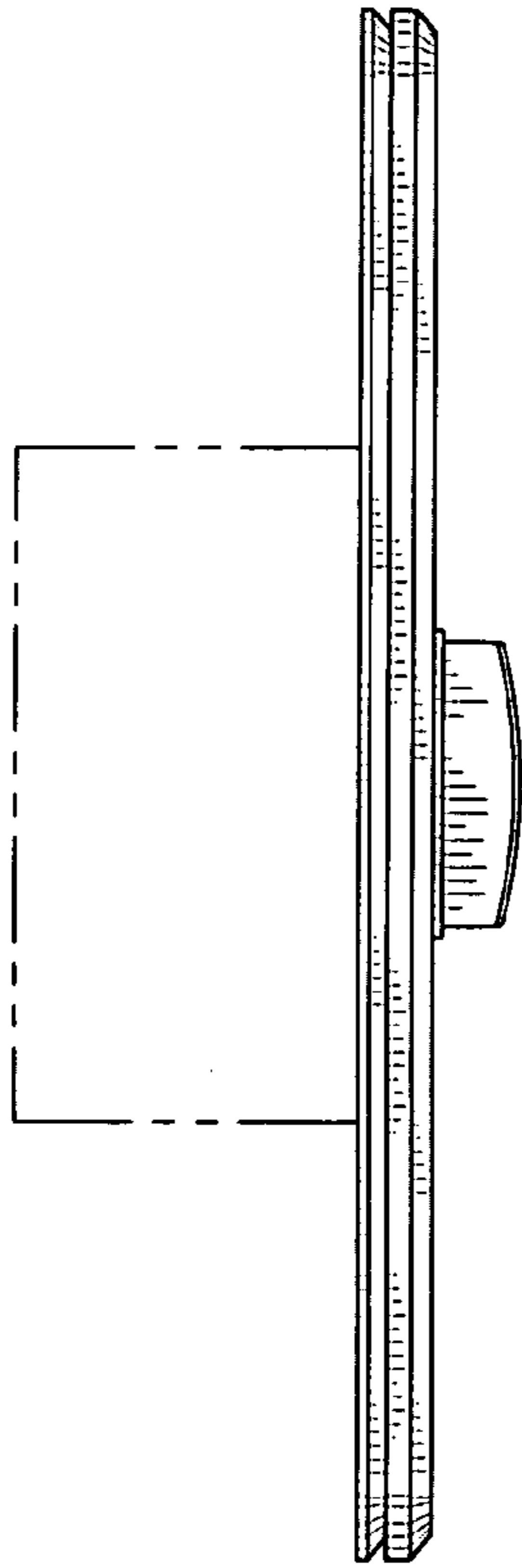


Fig. 39

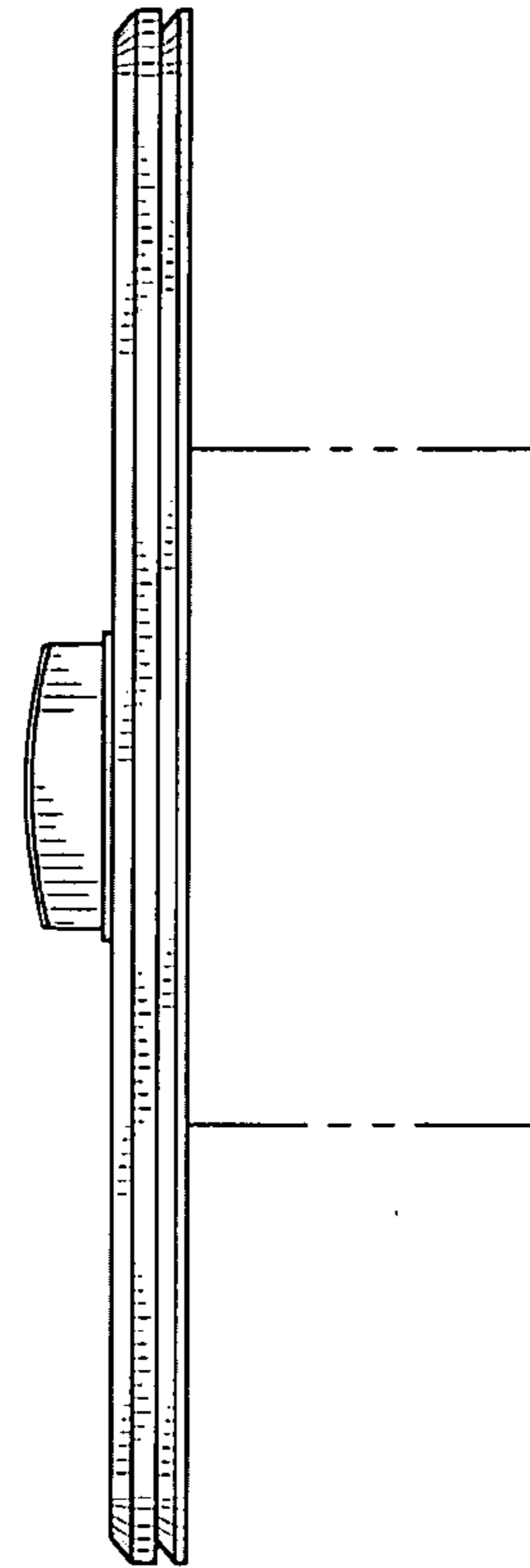


Fig. 40

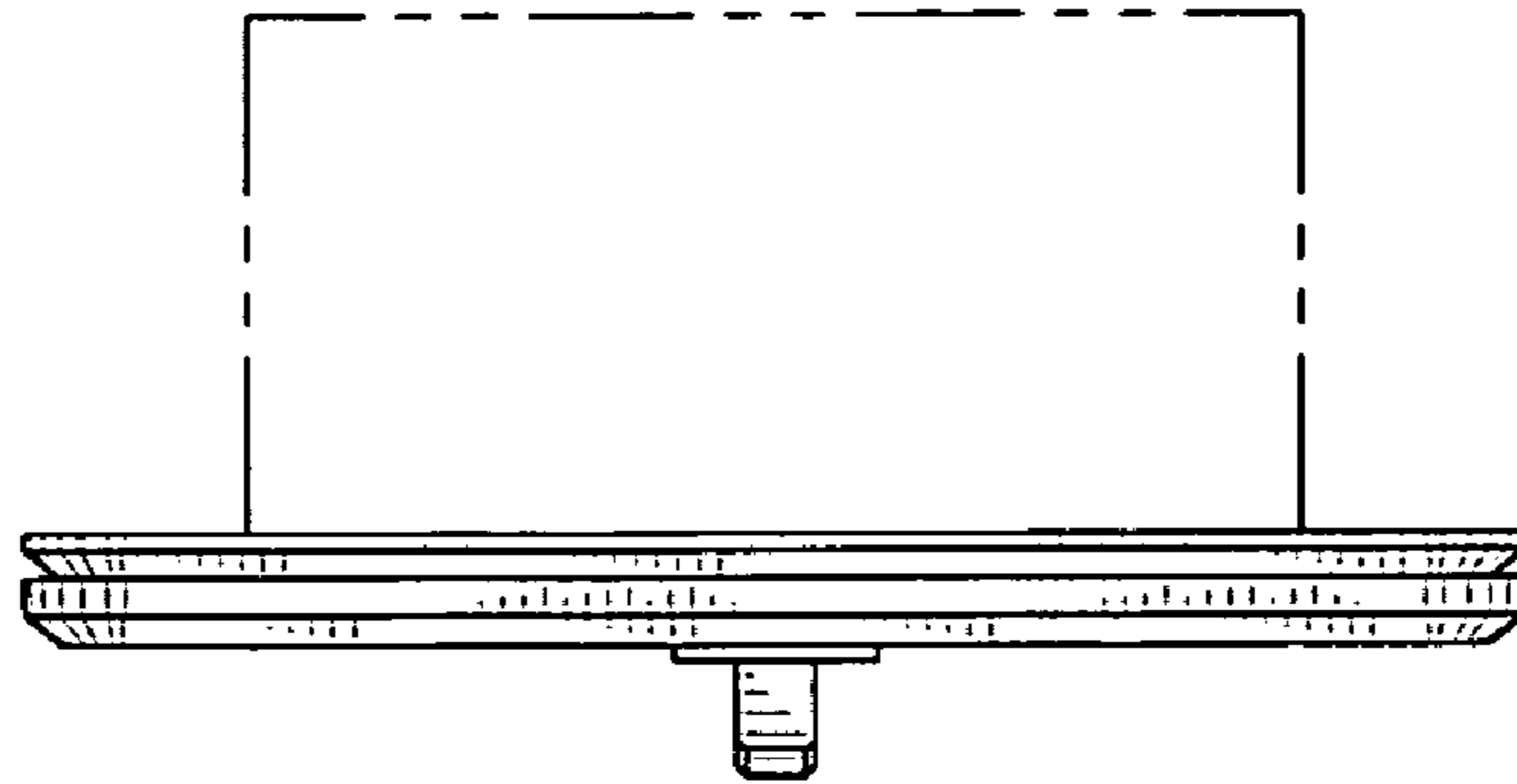


Fig. 41

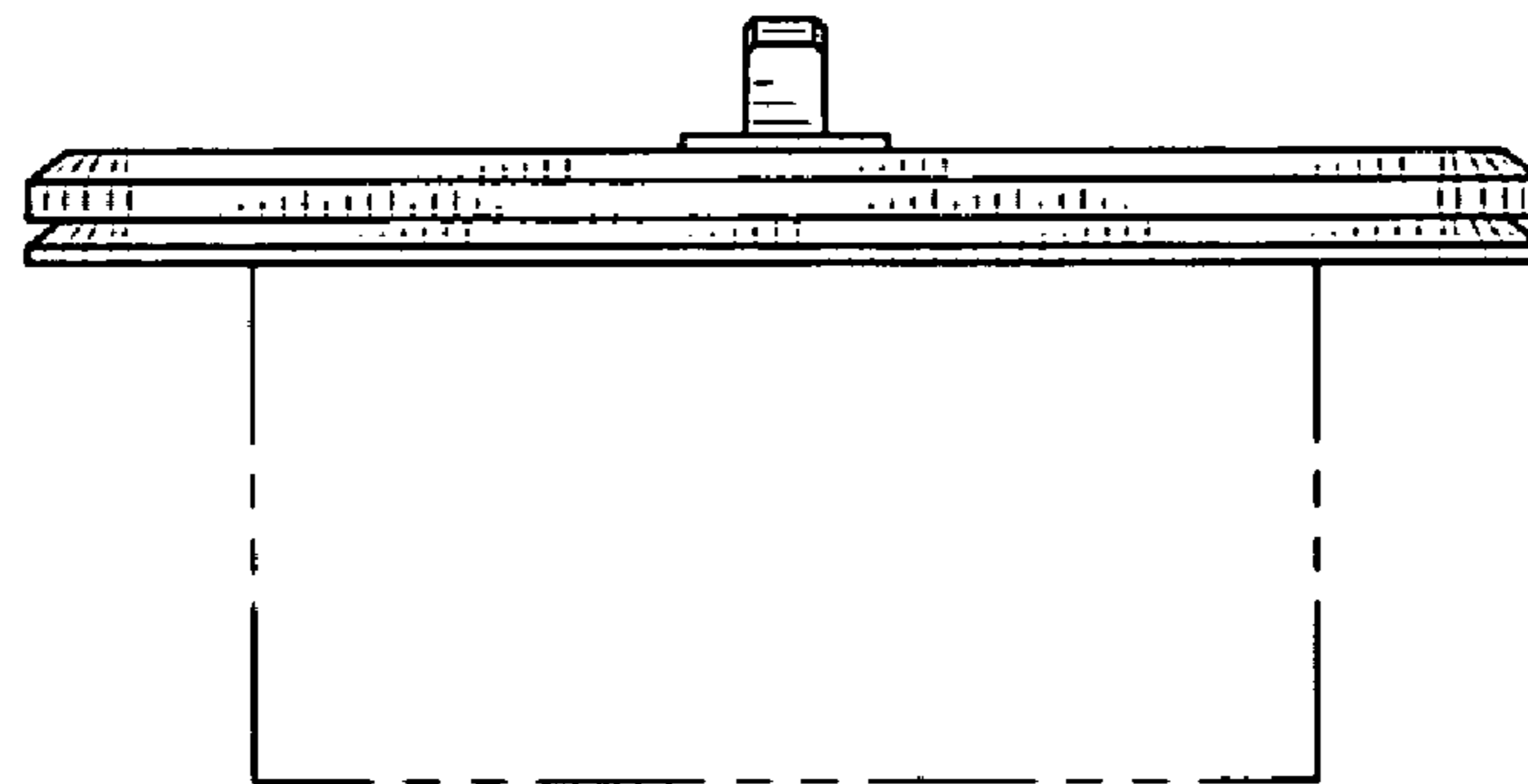


Fig. 42

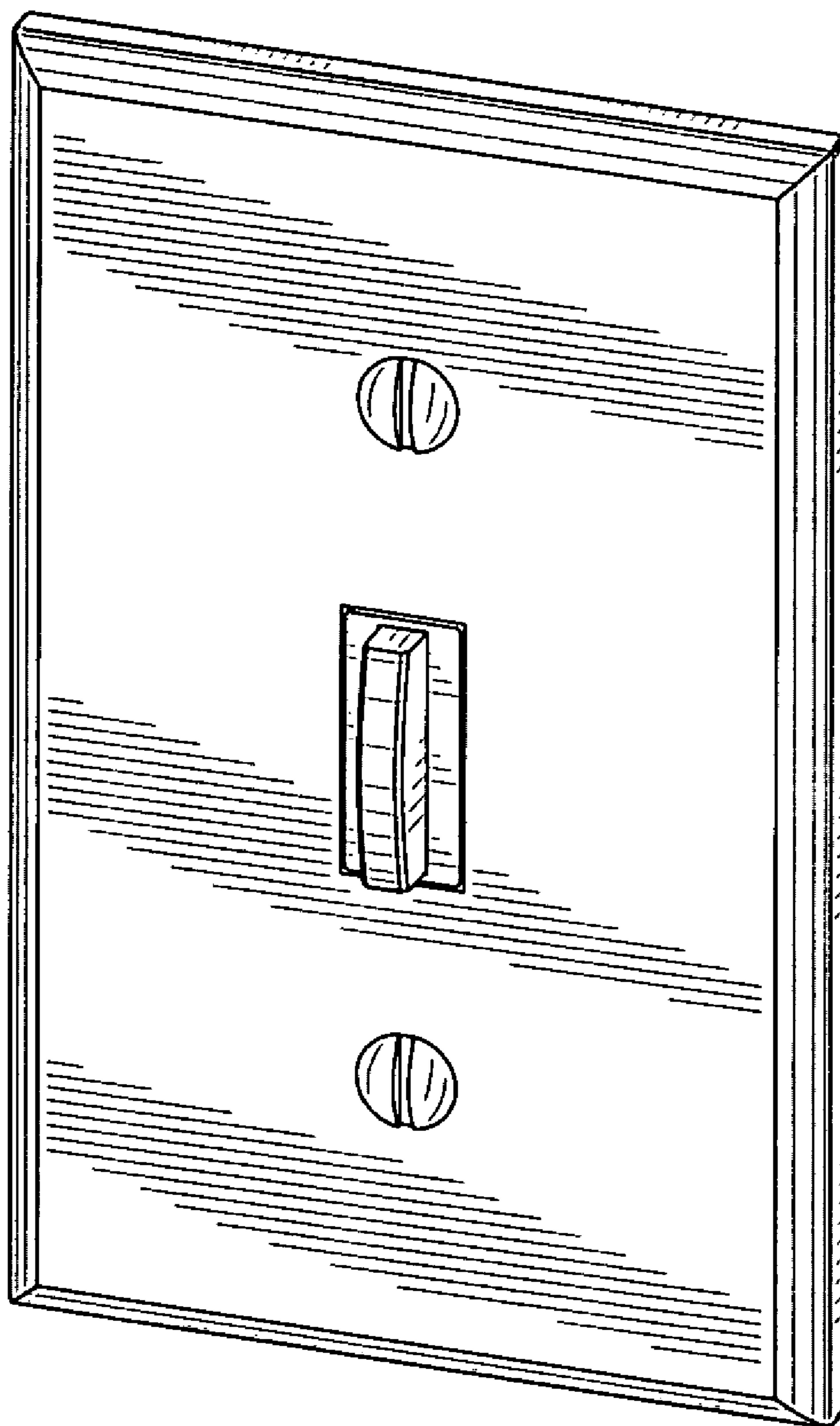


Fig. 43

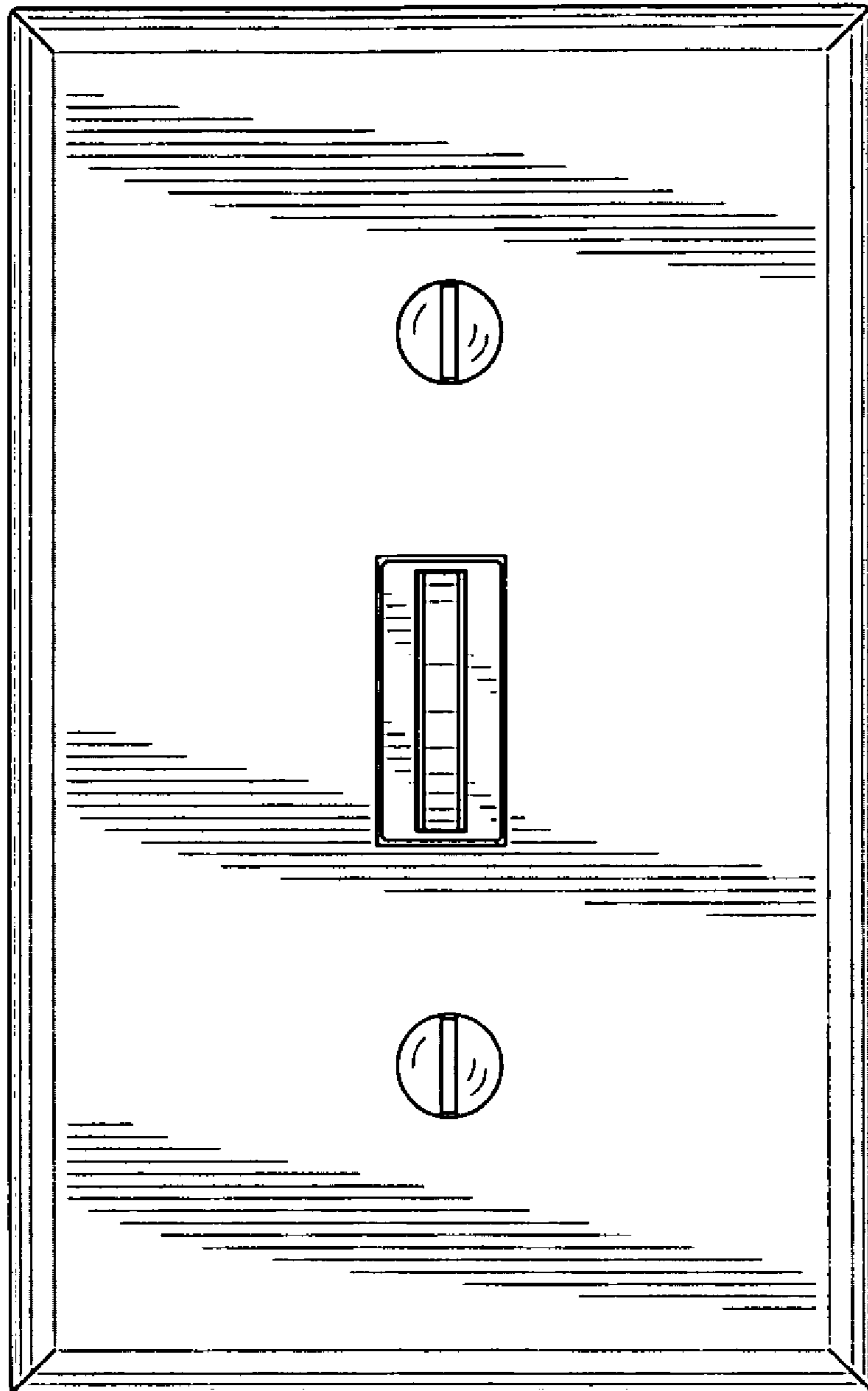


Fig. 44

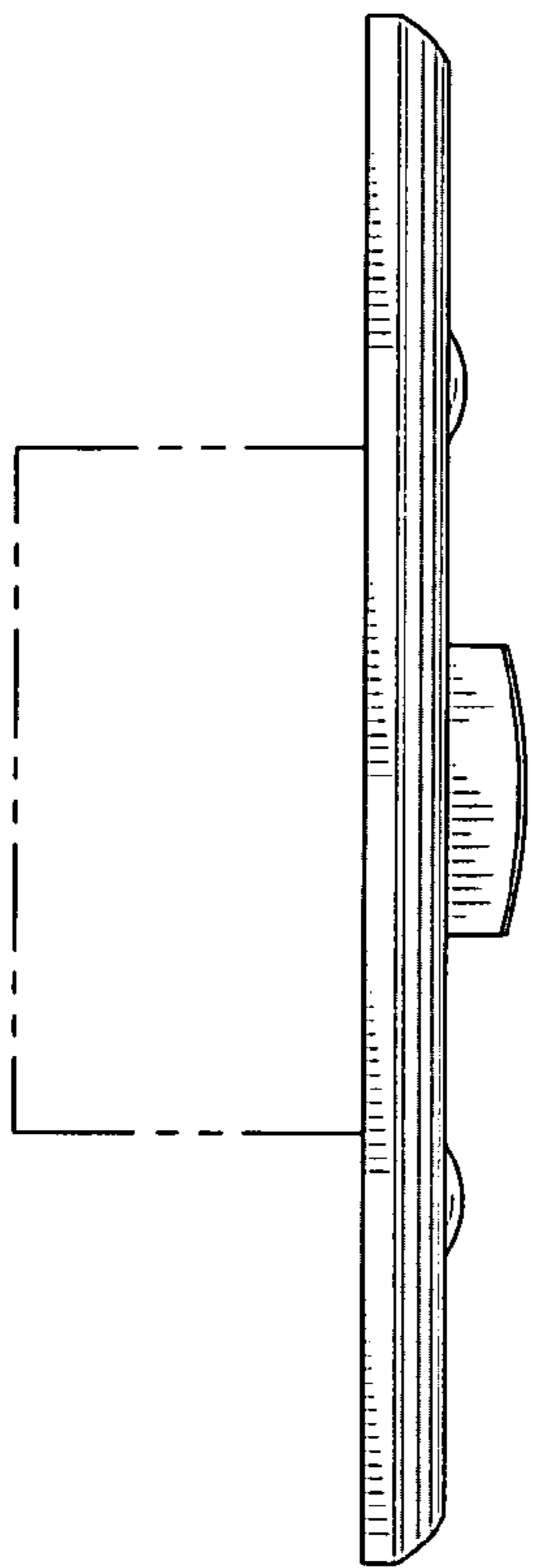


Fig. 45

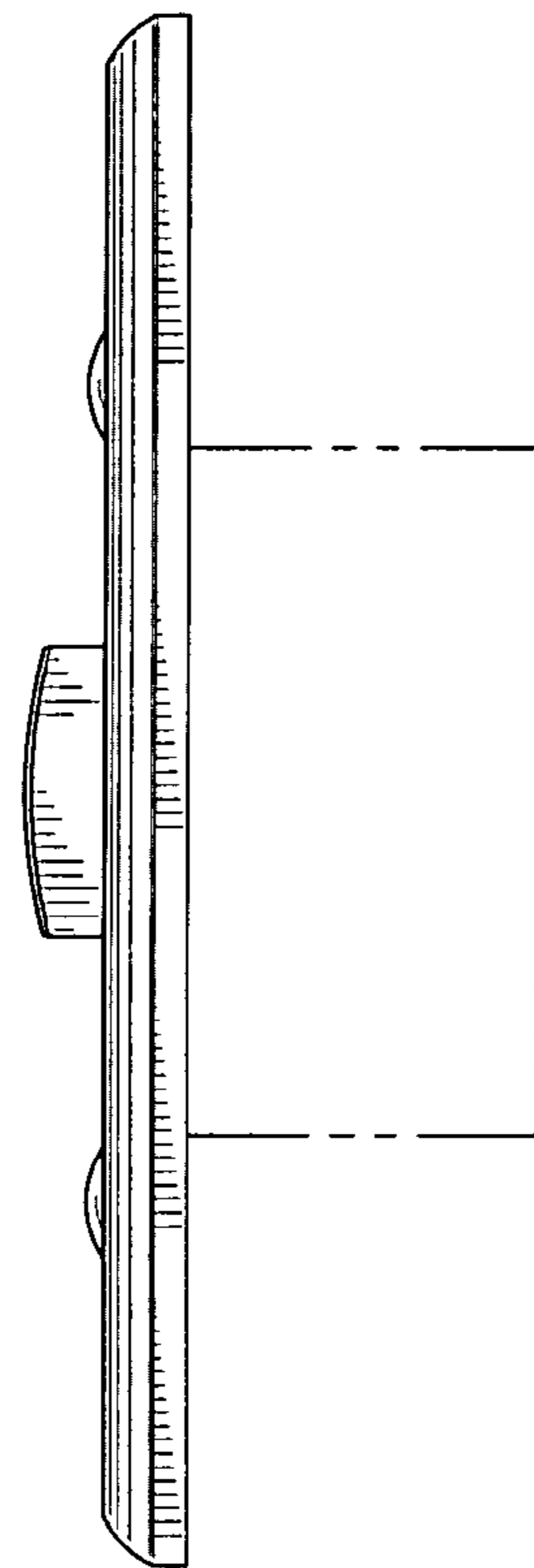


Fig. 46

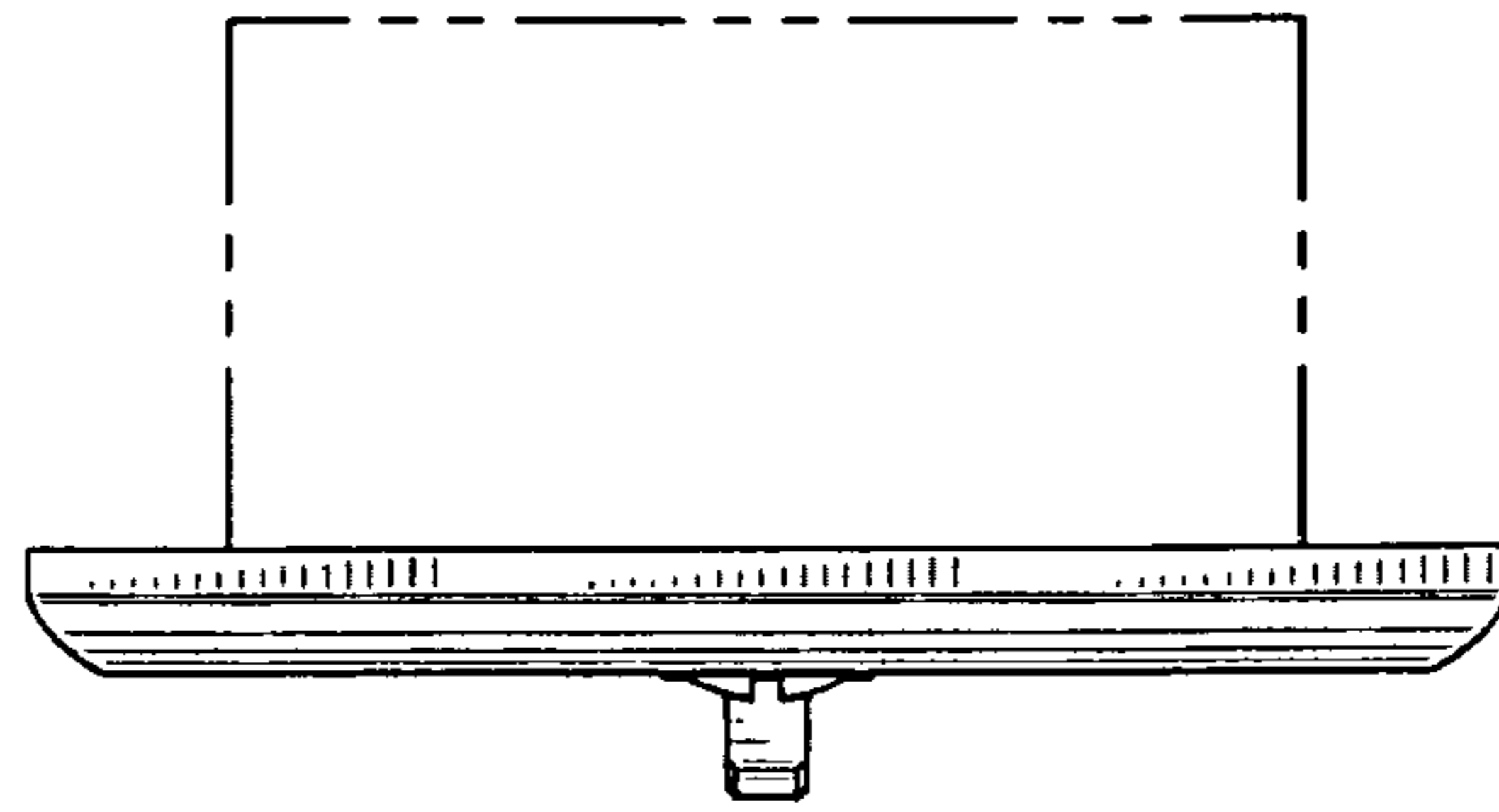


Fig. 47

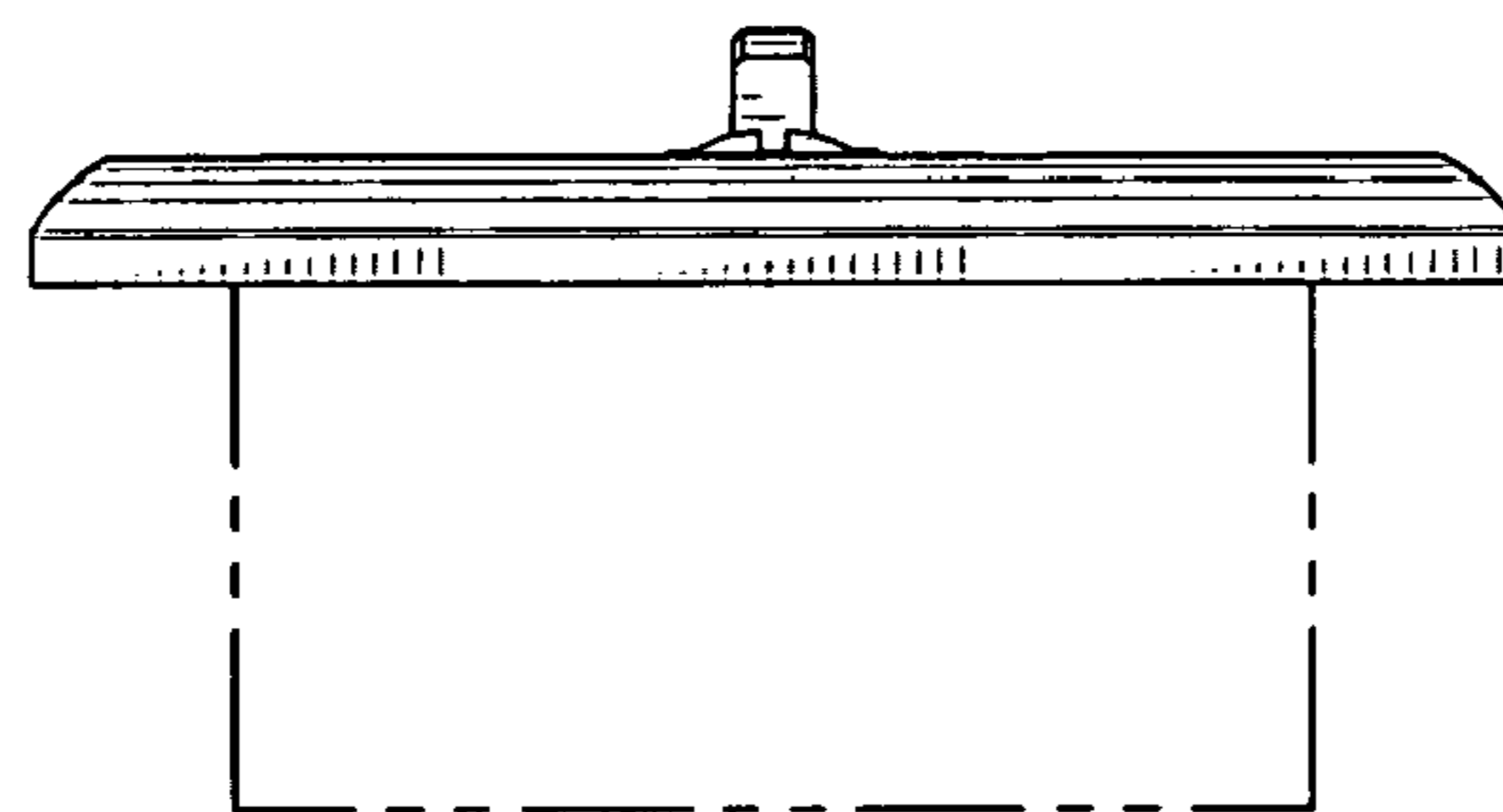


Fig. 48