

US00D592600S

(12) **United States Design Patent**
Wu

(10) **Patent No.:** **US D592,600 S**

(45) **Date of Patent:** **** May 19, 2009**

(54) **ELECTRICAL CONNECTOR**

(75) Inventor: **Chun-Kwan Wu**, Tu-cheng (TW)

(73) Assignee: **Hon Hai Precision Ind. Co., Ltd.**,
Taipei Hsien (TW)

(**) Term: **14 Years**

(21) Appl. No.: **29/293,614**

(22) Filed: **Dec. 4, 2007**

(30) **Foreign Application Priority Data**

Jun. 25, 2007 (TW) 96303507

(51) **LOC (9) Cl.** **13-03**

(52) **U.S. Cl.** **D13/147**

(58) **Field of Classification Search** D13/147,
D13/154, 184; D16/200; 439/71-73, 83,
439/330-331, 607-610, 660, 680, 876, 946
See application file for complete search history.

(56) **References Cited**

U.S. PATENT DOCUMENTS

5,073,116 A * 12/1991 Beck, Jr. 439/71
D524,749 S * 7/2006 Wang et al. D13/147
7,077,680 B1 * 7/2006 Wang et al. 439/331
D538,747 S * 3/2007 Yang D13/147

D540,261 S * 4/2007 Yang D13/147
D541,749 S * 5/2007 Li D13/147
2007/0232143 A1 * 10/2007 Yang 439/607

* cited by examiner

Primary Examiner—Daniel D Bui

(74) *Attorney, Agent, or Firm*—Wei Te Chung

(57) **CLAIM**

The ornamental design for an electrical connector, as shown and described.

DESCRIPTION

FIG. 1 is a top, front and left side perspective view of an electrical connector showing my new design;

FIG. 2 is a front elevational view thereof;

FIG. 3 is a rear elevational view thereof;

FIG. 4 is a left side elevational view thereof;

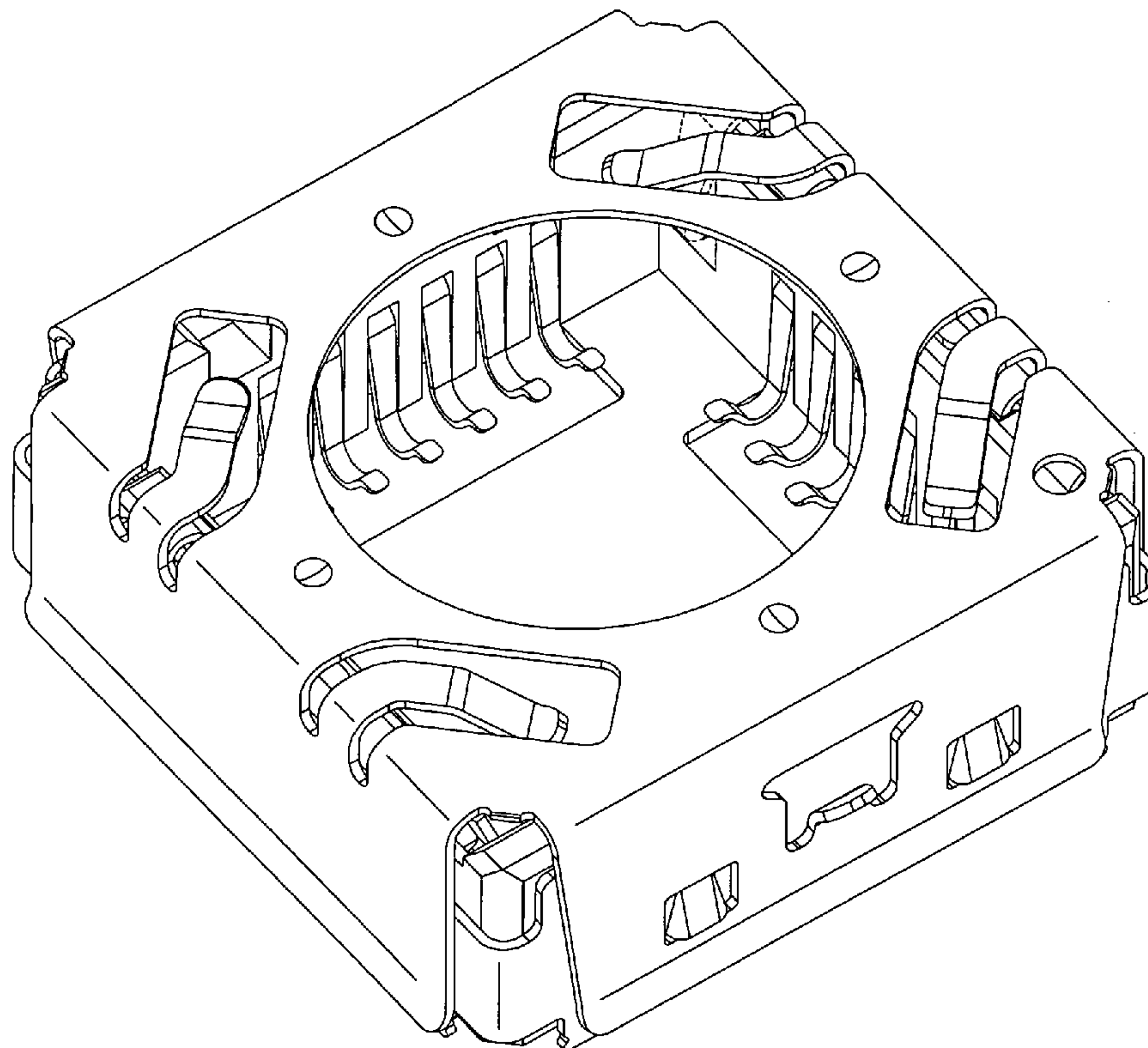
FIG. 5 is a right side elevational view thereof;

FIG. 6 is a top plan view thereof; and,

FIG. 7 is a bottom plan view thereof.

The broken line of internal elements shown in the figure drawing views is included to show unclaimed subject matter only and forms no part of the claimed design.

1 Claim, 7 Drawing Sheets



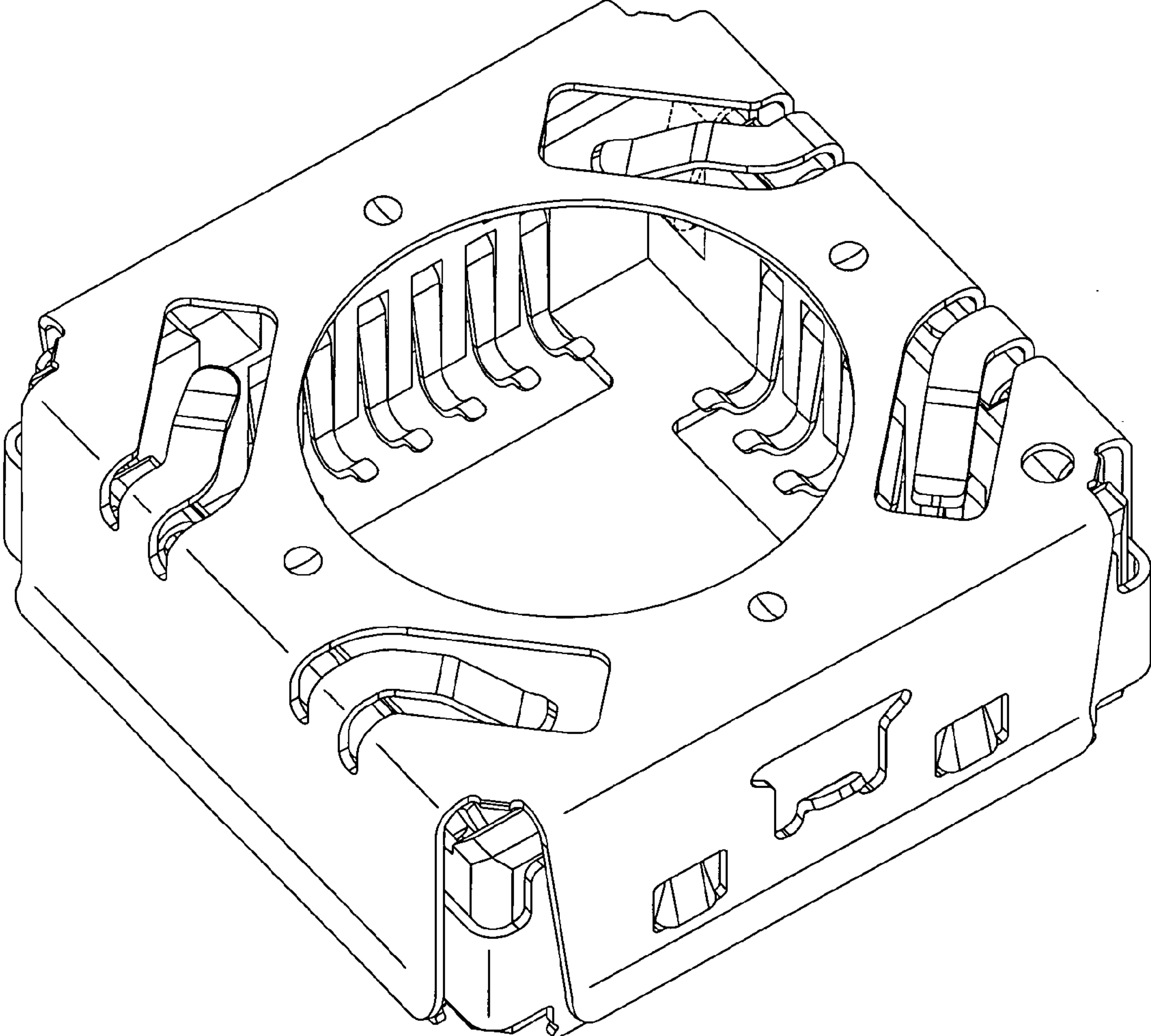


FIG. 1

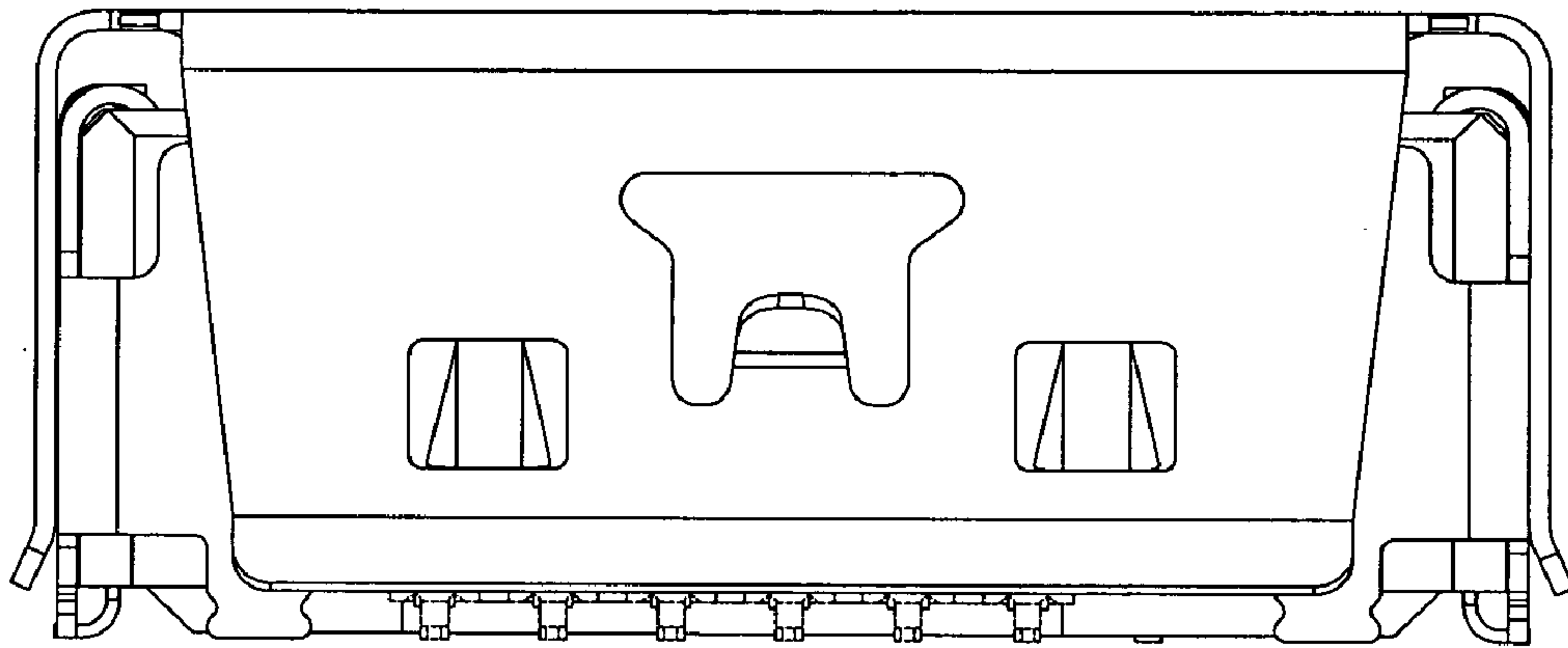


FIG. 2

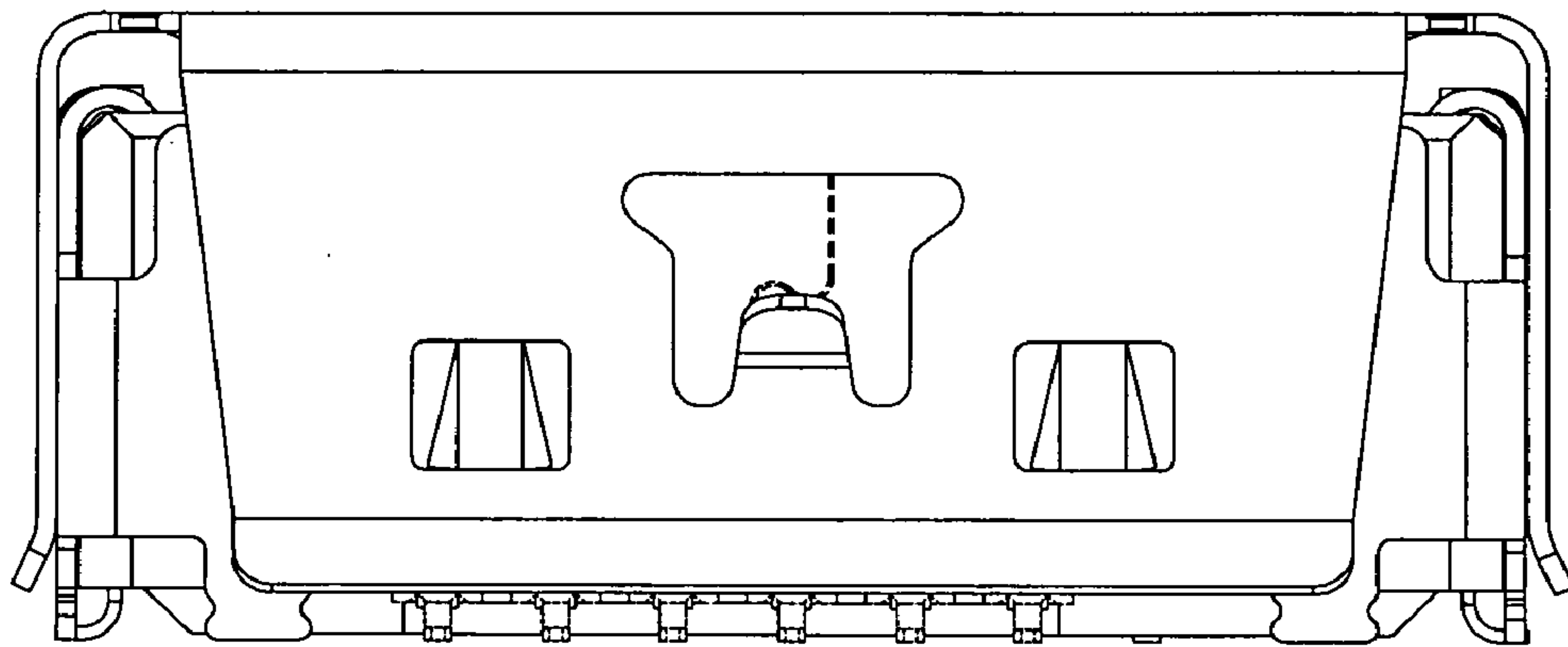


FIG. 3

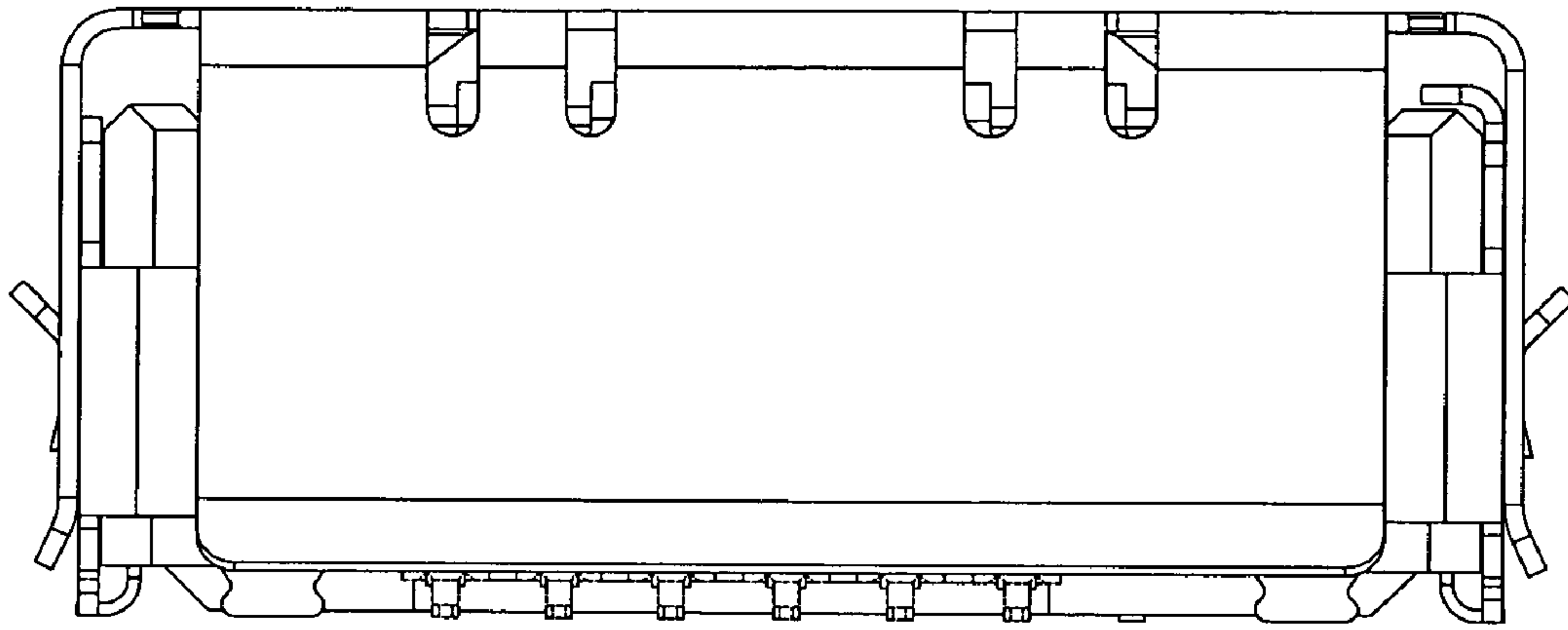


FIG. 4

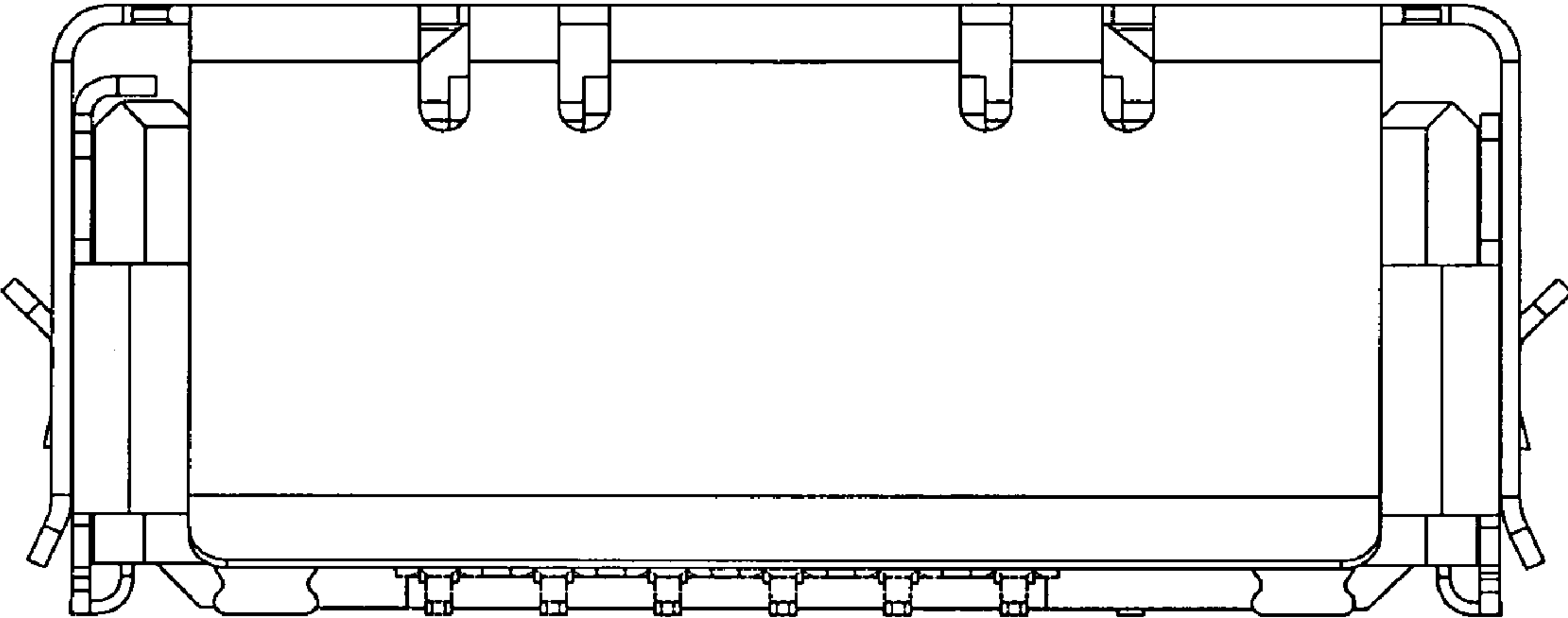


FIG. 5

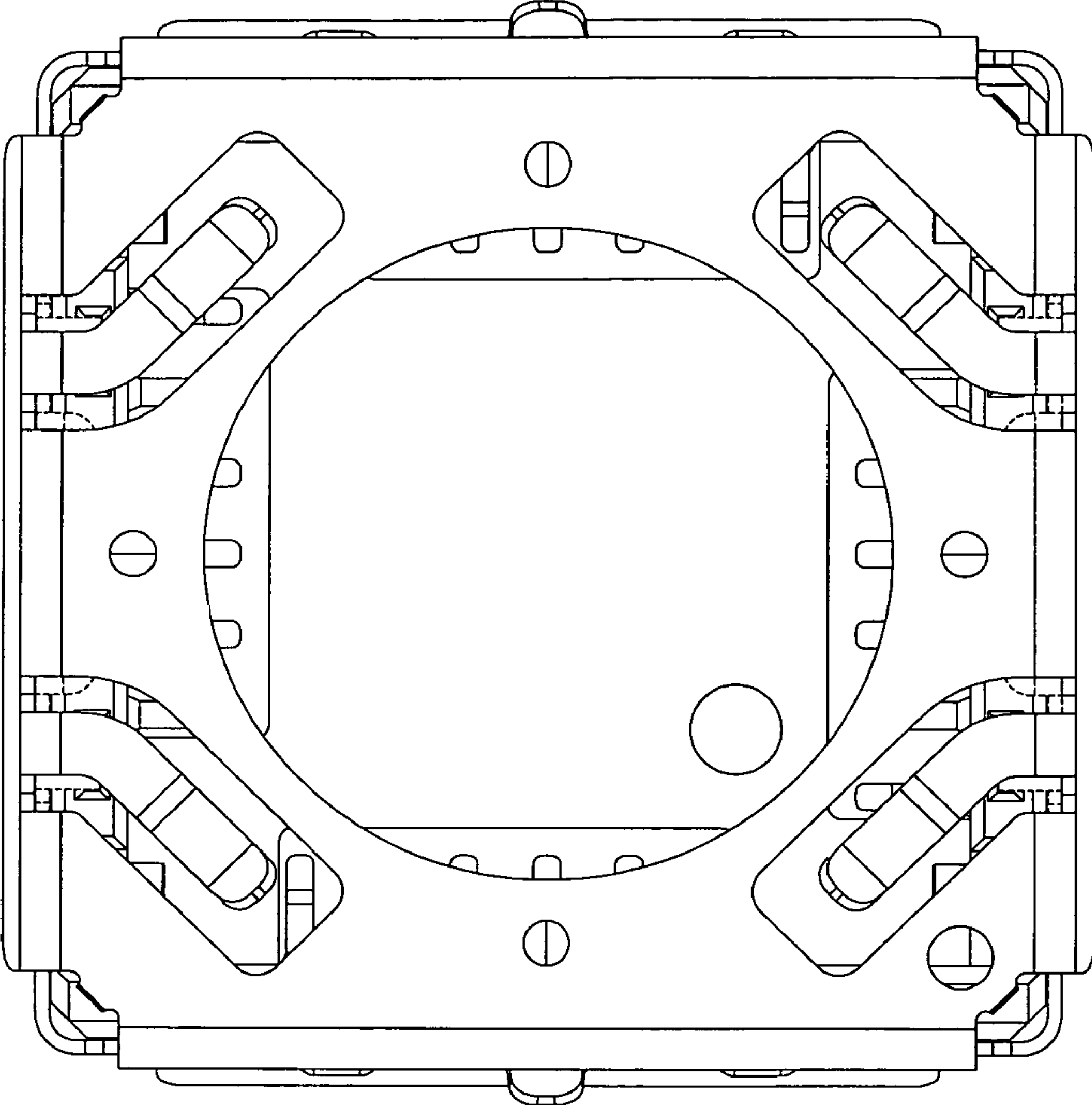


FIG. 6

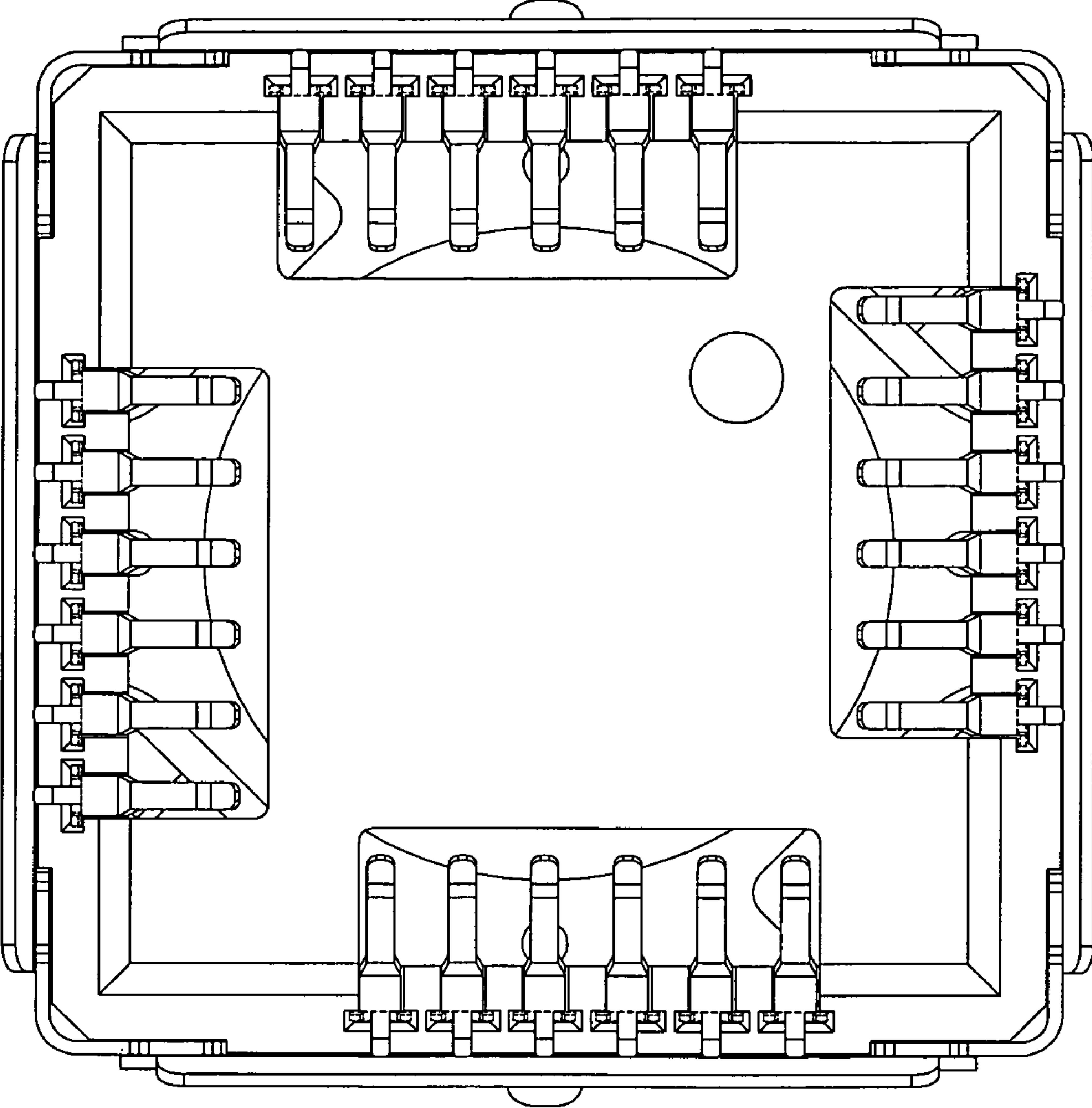


FIG. 7