



US00D592599S

(12) **United States Design Patent**
Nishio et al.

(10) **Patent No.:** **US D592,599 S**

(45) **Date of Patent:** **** May 19, 2009**

(54) **ELECTRIC CONNECTOR**

(75) Inventors: **Atsushi Nishio**, Tokyo (JP); **Shinichi Asano**, Tokyo (JP); **Yoshihiro Ishikawa**, Tokyo (JP)

(73) Assignee: **Mitsumi Electric Co., Ltd**, Tokyo (JP)

(**) Term: **14 Years**

(21) Appl. No.: **29/274,118**

(22) Filed: **Mar. 29, 2007**

(30) **Foreign Application Priority Data**

Nov. 30, 2006 (JP) 2006-032934

(51) **LOC (9) Cl.** **13-03**

(52) **U.S. Cl.** **D13/147**

(58) **Field of Classification Search** D13/133,
D13/146-147, 154, 184; 439/79, 83, 108,
439/607-610, 639

See application file for complete search history.

(56) **References Cited**

U.S. PATENT DOCUMENTS

D535,618 S * 1/2007 Hu et al. D13/133

D555,091 S * 11/2007 Kawase et al. D13/133
2008/0280468 A1 * 11/2008 Ting 439/160

* cited by examiner

Primary Examiner—Daniel D Bui

(74) *Attorney, Agent, or Firm*—Sughrue Mion, PLLC

(57) **CLAIM**

The ornamental design for an electric connector, as shown.

DESCRIPTION

FIG. 1 is a perspective view of the top, front and right side of an electric connector showing our new design;

FIG. 2 is a front elevational view thereof;

FIG. 3 is a rear elevational view thereof;

FIG. 4 is top plan view thereof;

FIG. 5 is a bottom plan view thereof;

FIG. 6 is a left side elevational view thereof;

FIG. 7 is a right side elevational view thereof; and,

FIG. 8 is a perspective view of the bottom, front and left side thereof.

1 Claim, 6 Drawing Sheets

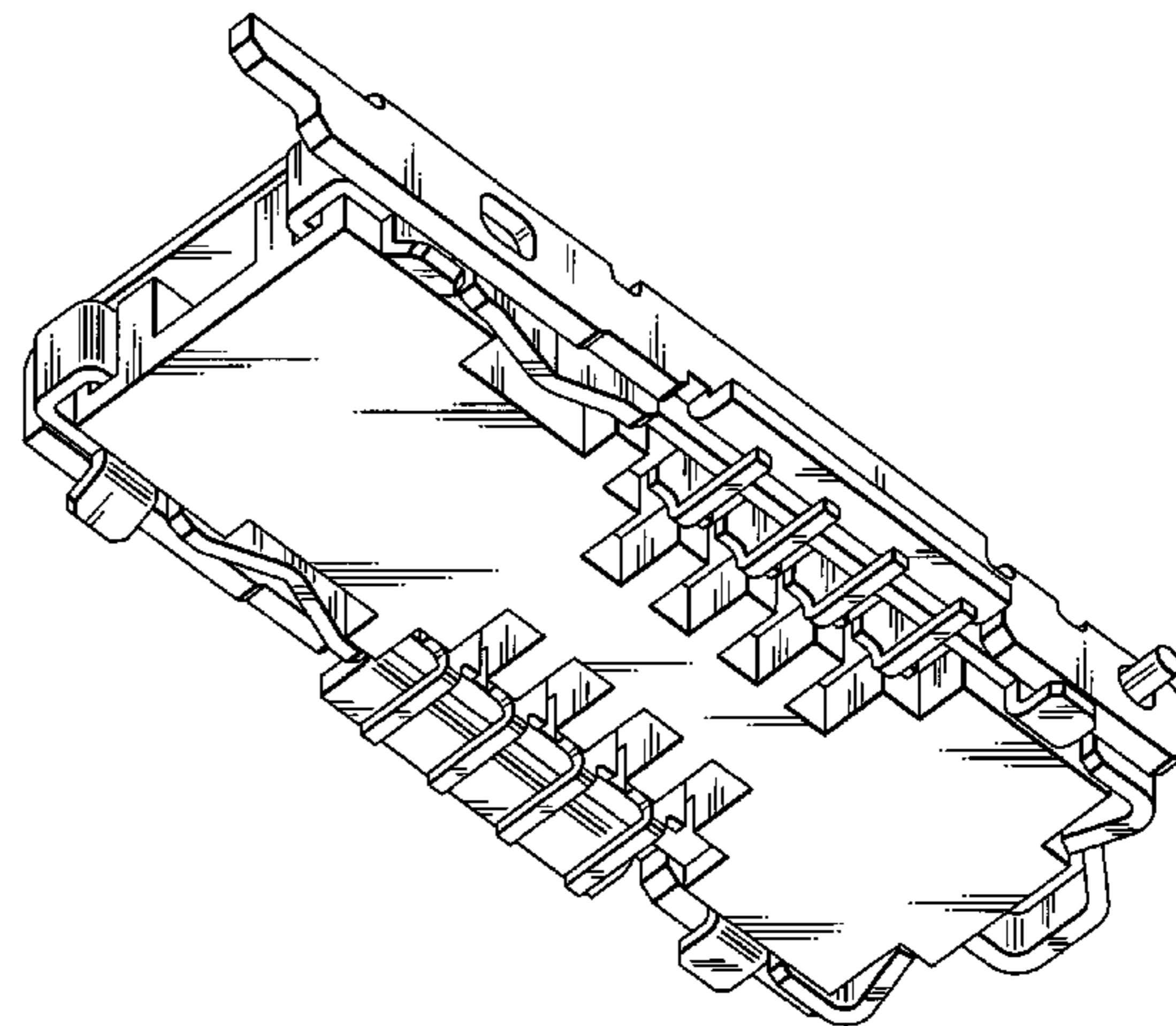
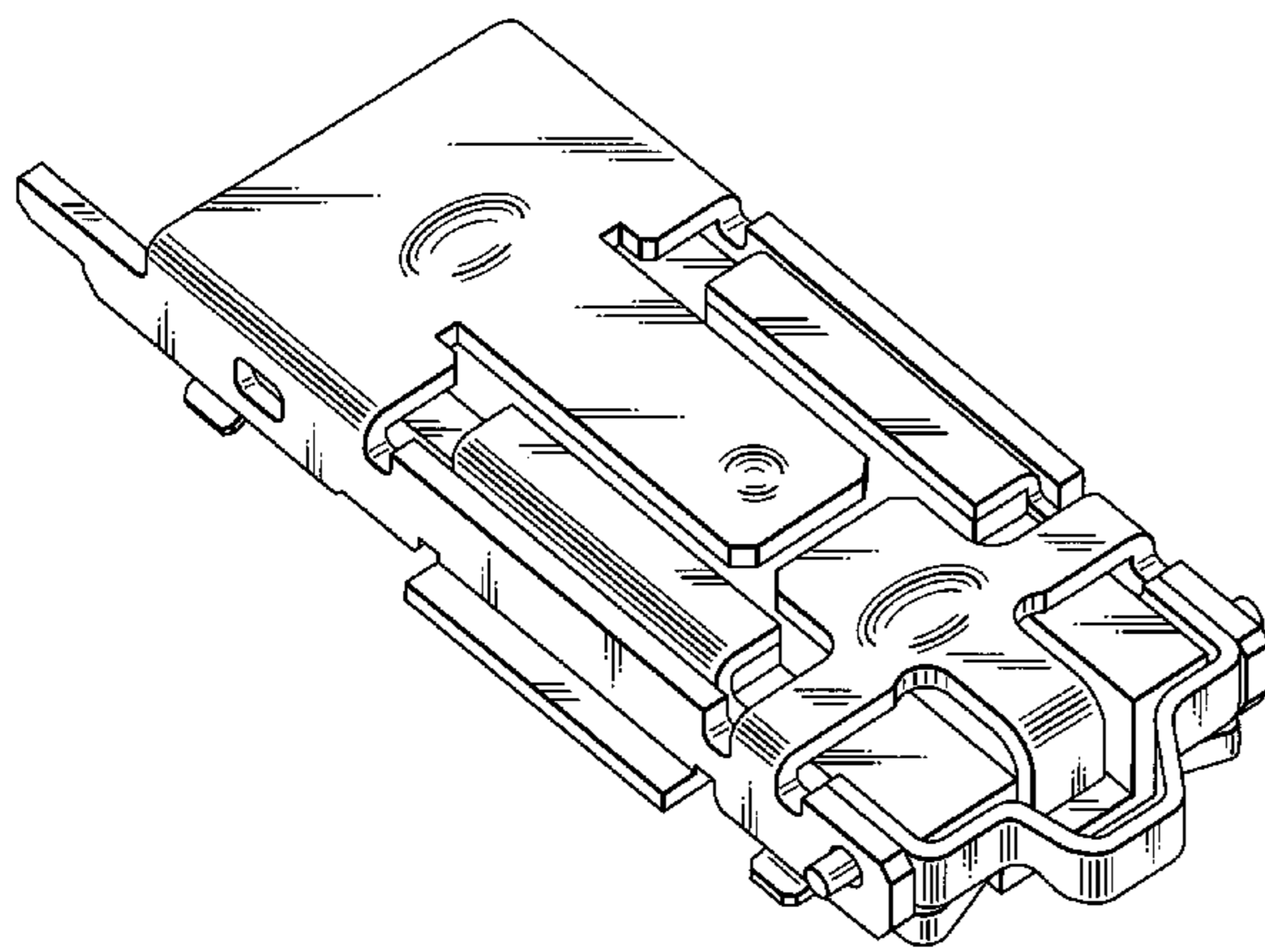


FIG.1

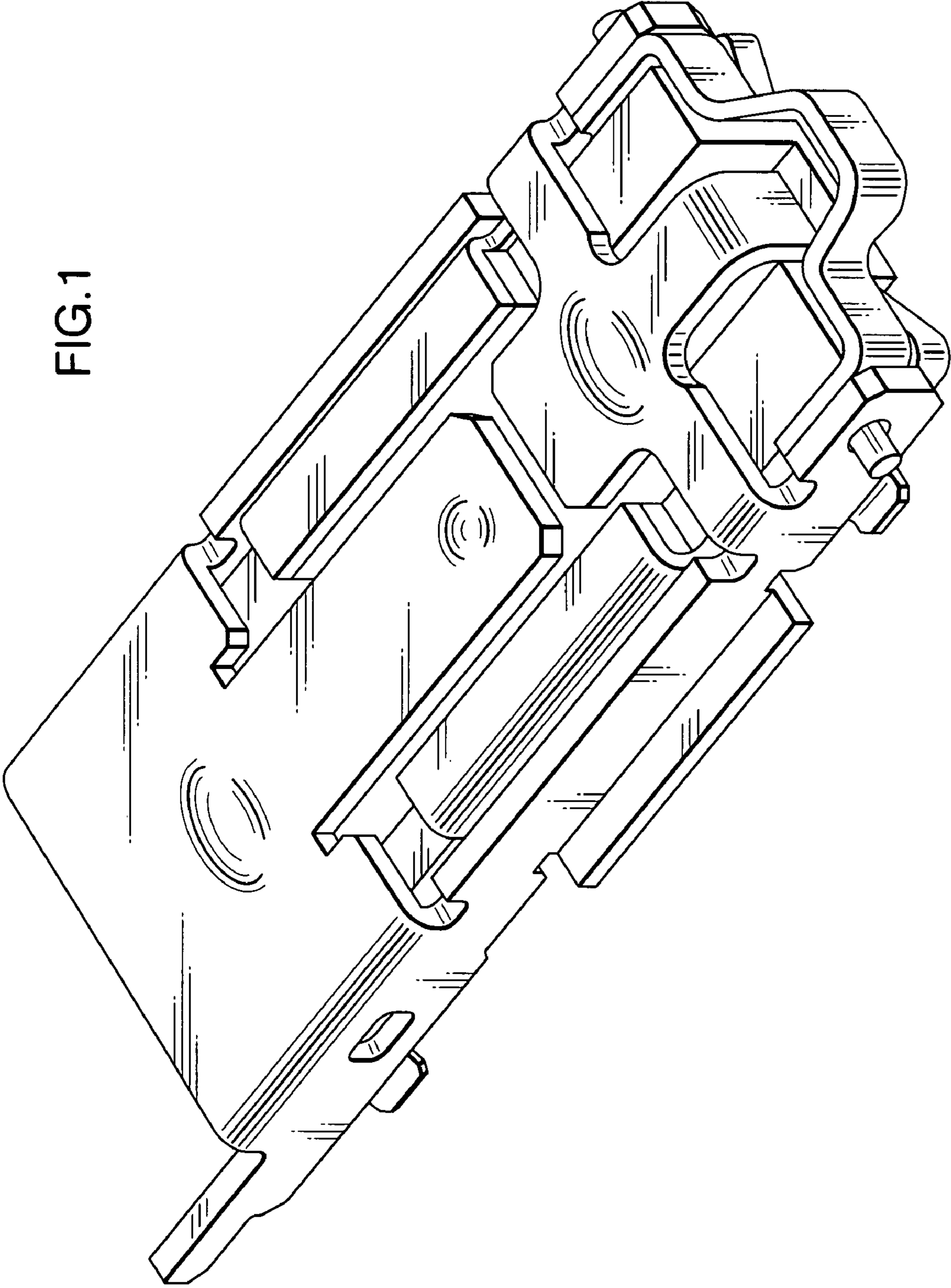


FIG.2

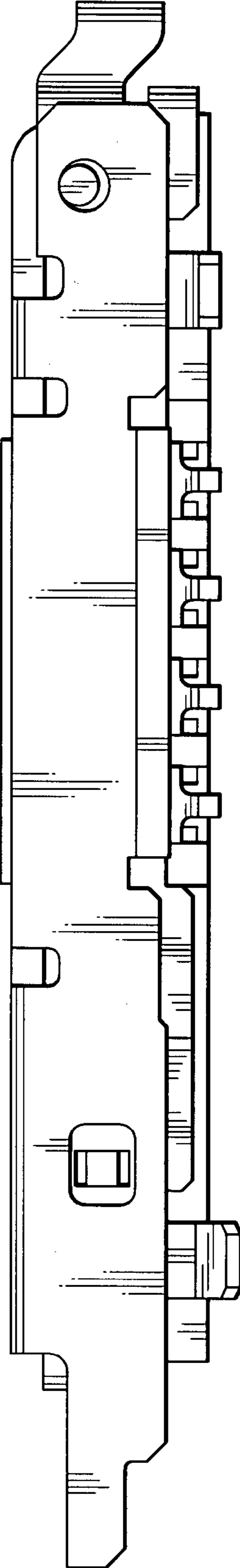


FIG.3

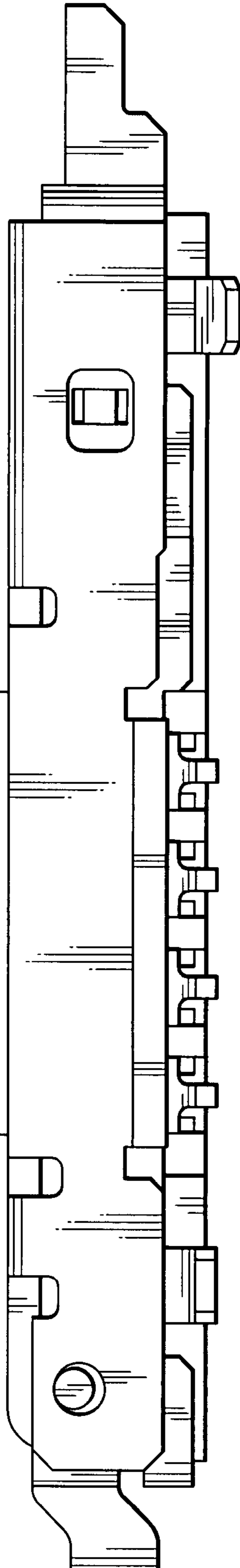


FIG.4

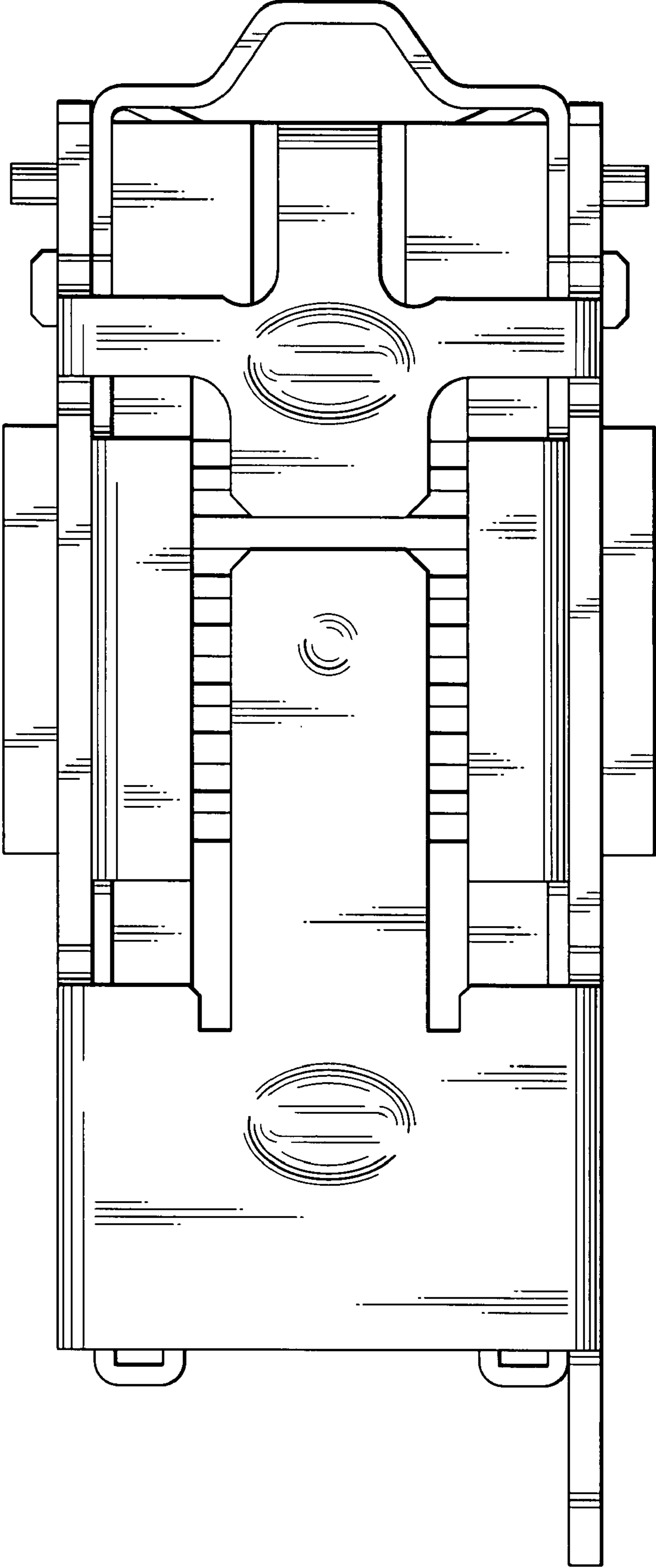


FIG.5

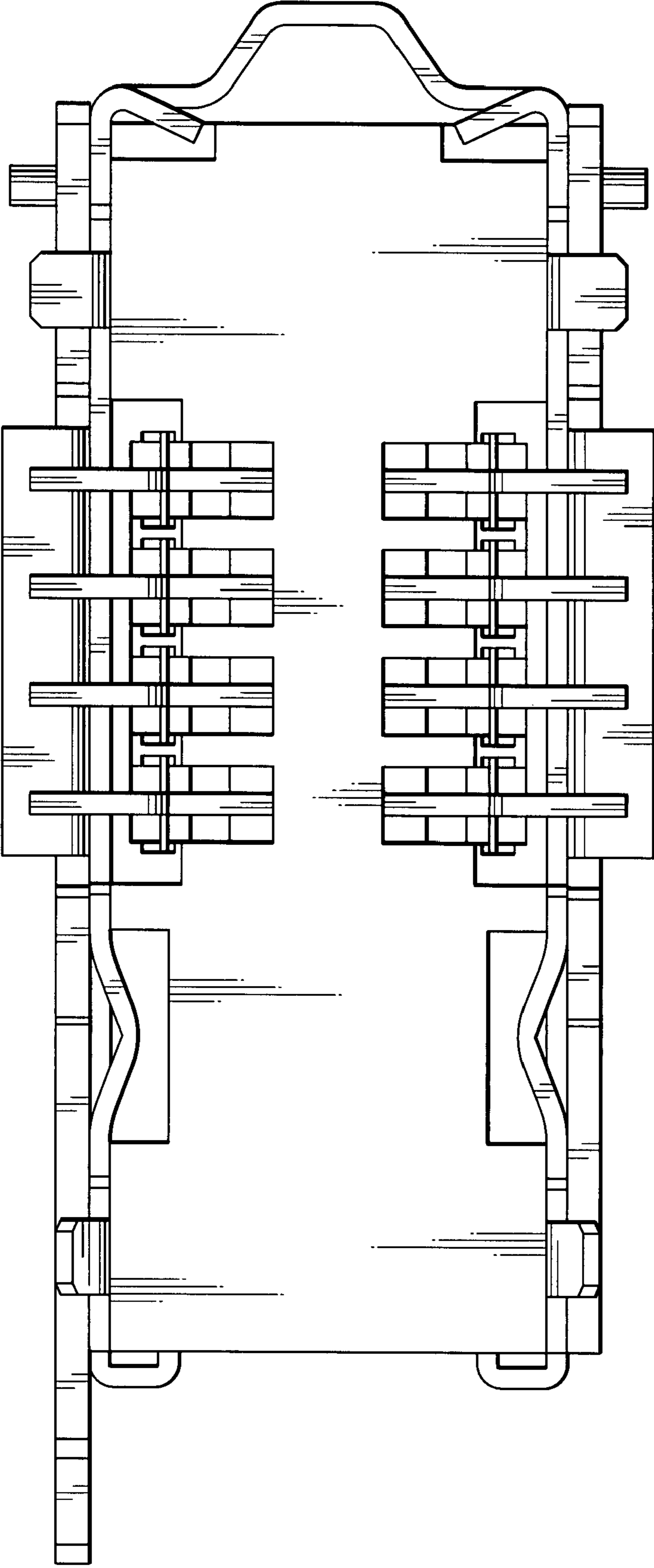


FIG.6

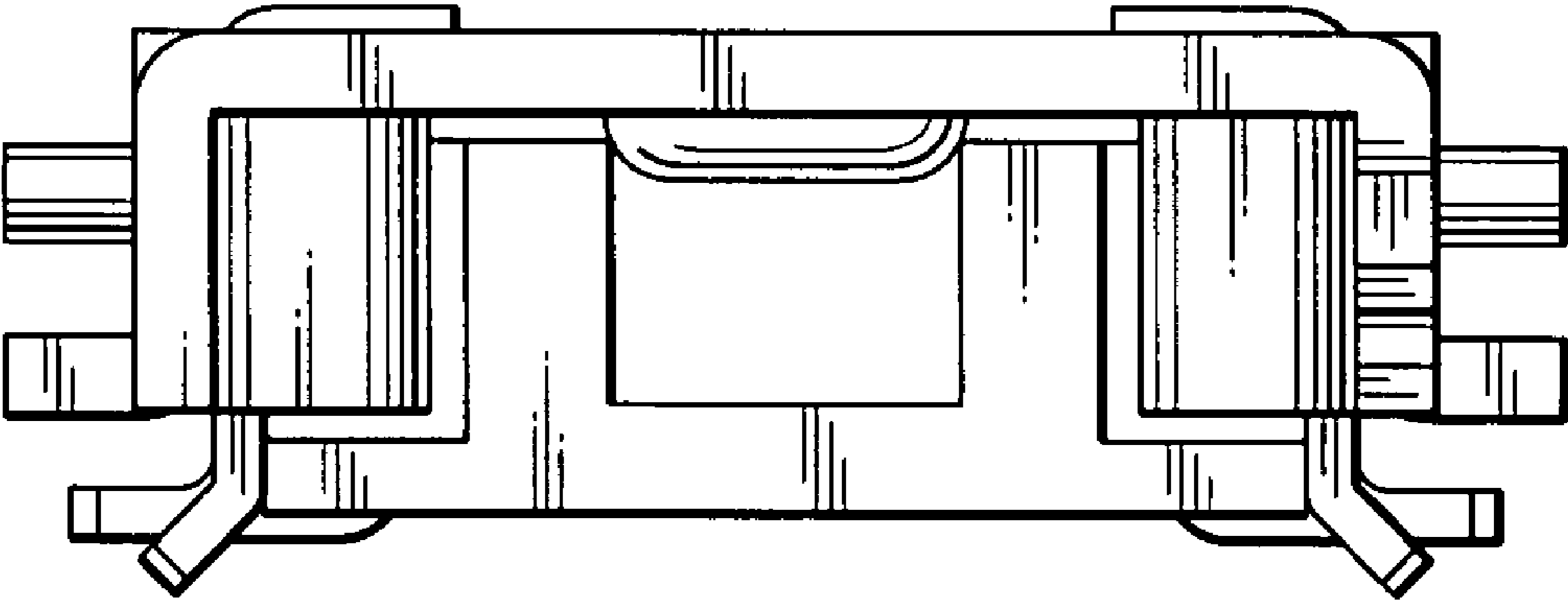


FIG.7

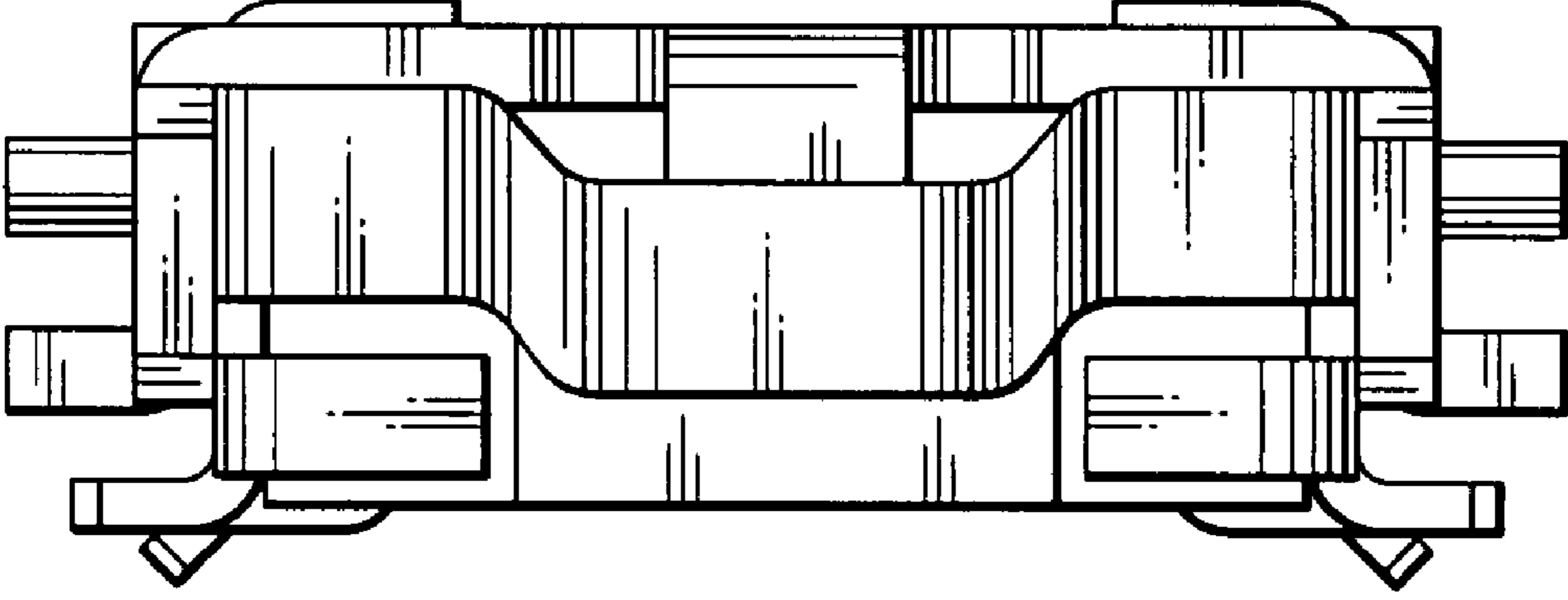


FIG.8

