



US00D592598S

(12) **United States Design Patent**  
**Kettula**

(10) **Patent No.:** **US D592,598 S**

(45) **Date of Patent:** **\*\* May 19, 2009**

(54) **CHARGER**

(75) Inventor: **Jan Kettula**, Espoo (FI)

(73) Assignee: **Nokia Corporation**, Espoo (FI)

(\*\*) Term: **14 Years**

(21) Appl. No.: **29/320,065**

(22) Filed: **Jun. 19, 2008**

(51) **LOC (9) Cl.** ..... **13-03**

(52) **U.S. Cl.** ..... **D13/144; D13/108**

(58) **Field of Classification Search** ..... D13/107–110,  
D13/118–119, 144, 184; D14/155, 251,  
D14/253, 432, 434; 320/107–115; 439/300,  
439/620, 638, 668–669, 675, 825; 363/146  
See application file for complete search history.

(56) **References Cited**

**U.S. PATENT DOCUMENTS**

D318,648 S *	7/1991	Collins	.....	D13/144
D330,885 S *	11/1992	Tattari	.....	D13/108
D341,123 S *	11/1993	Hakanen et al.	.....	D13/108
D347,824 S *	6/1994	Wharton	.....	D13/144
D494,542 S *	8/2004	Hriscu et al.	.....	D13/110
D509,792 S *	9/2005	Hsu	.....	D13/110
D510,318 S *	10/2005	Hsu	.....	D13/110
D519,994 S *	5/2006	Kettula et al.	.....	D14/248
D533,135 S *	12/2006	Hussaini et al.	.....	D13/110

D548,694 S *	8/2007	Krieger et al.	.....	D13/110
D551,170 S *	9/2007	Hussaini et al.	.....	D13/144
D554,059 S *	10/2007	Hsu	.....	D13/110
D573,578 S *	7/2008	Turksu et al.	.....	D14/155

\* cited by examiner

*Primary Examiner*—Cathron C Brooks

*Assistant Examiner*—Rosemary K Tarcza

(74) *Attorney, Agent, or Firm*—Banner & Witcoff, Ltd.

(57) **CLAIM**

The ornamental design for a charger, as shown and described.

**DESCRIPTION**

FIG. 1 is a perspective view of a charger showing my new design;

FIG. 2 is a front view thereof;

FIG. 3 is a rear view thereof;

FIG. 4 is a right side view thereof;

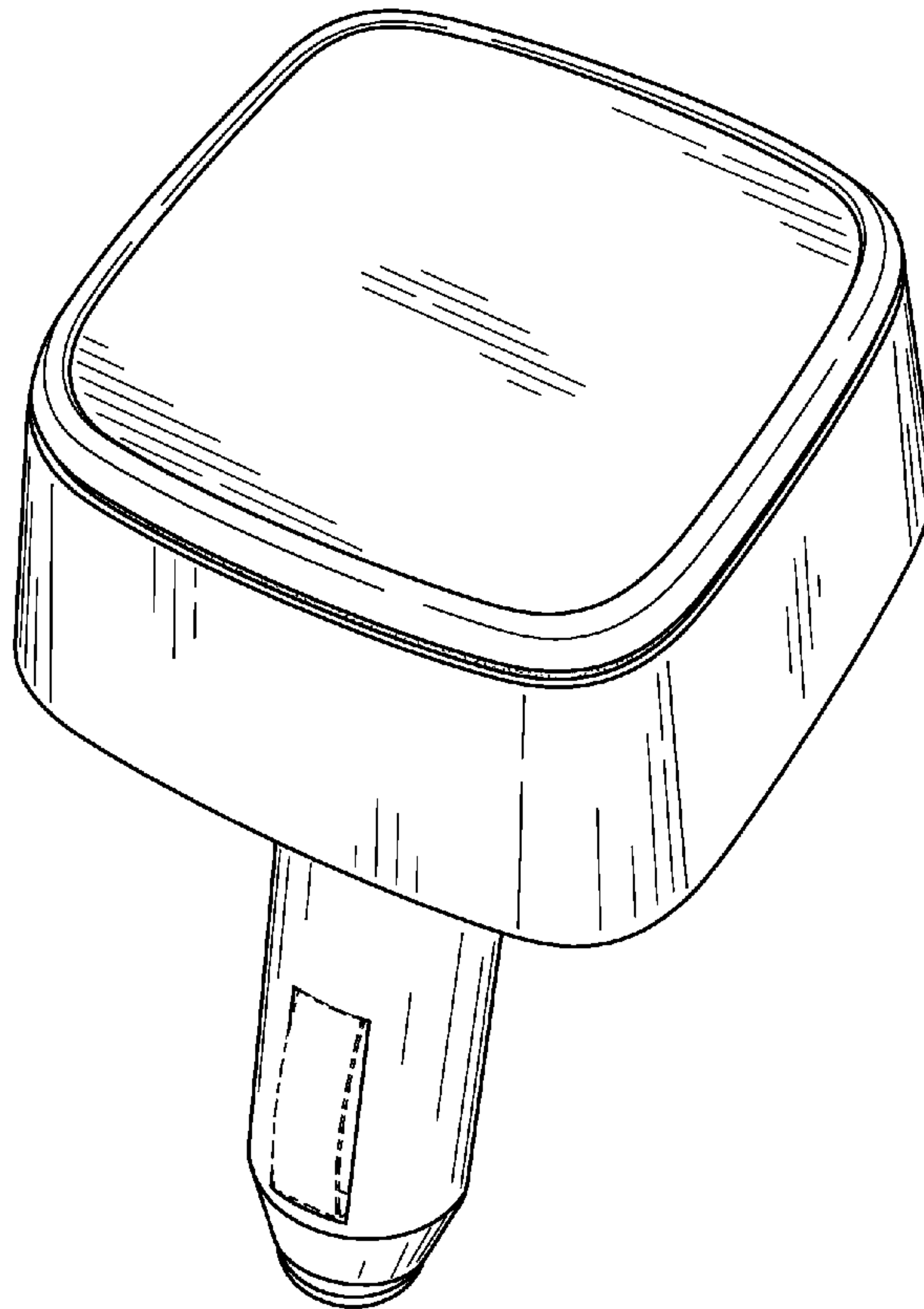
FIG. 5 is a left side view thereof;

FIG. 6 is a top view thereof; and,

FIG. 7 is a bottom view thereof.

The broken lines in the figures, showing various environmental structures, are for illustrative purposes only and form no part of the claimed design.

**1 Claim, 6 Drawing Sheets**



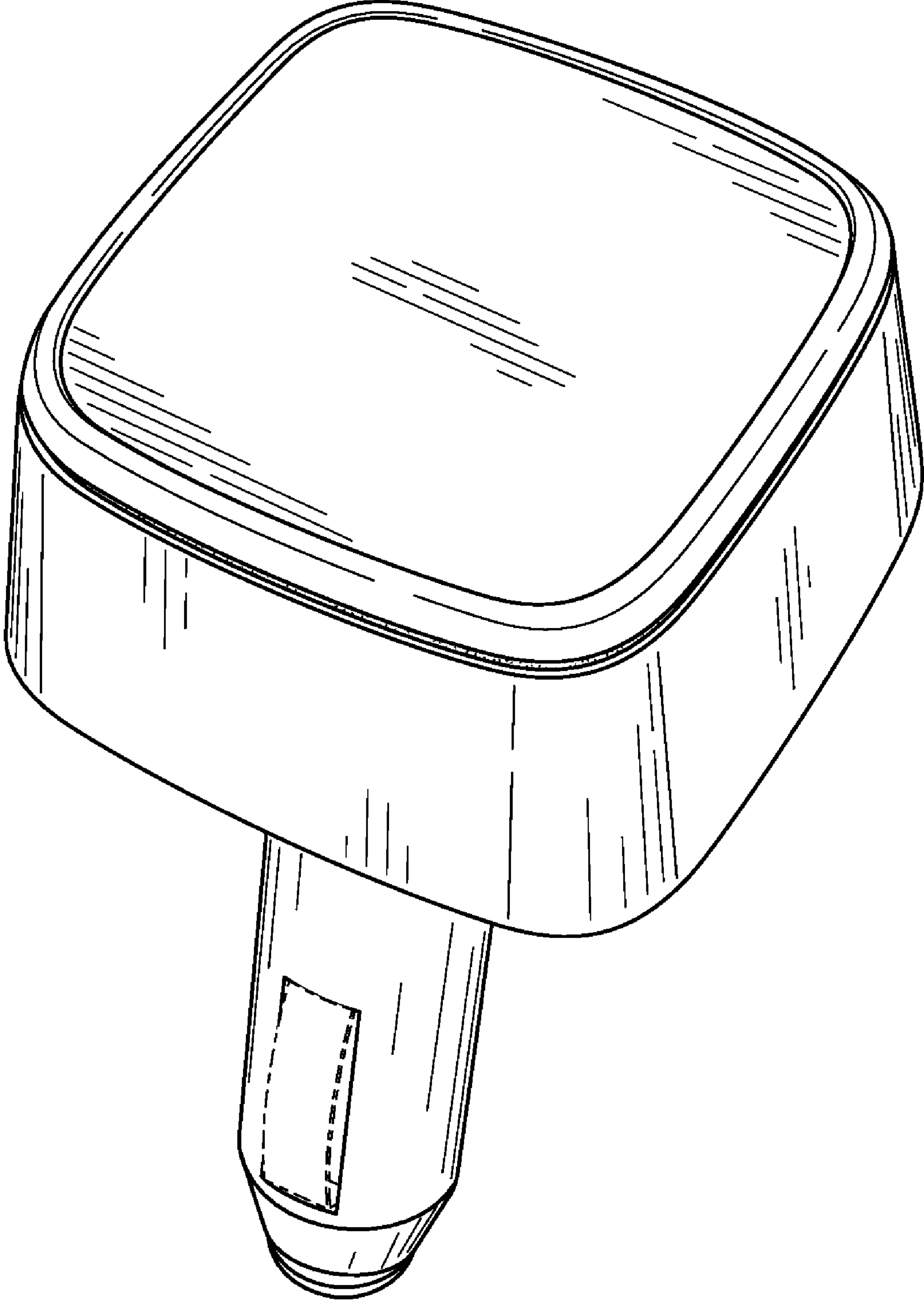


FIG. 1

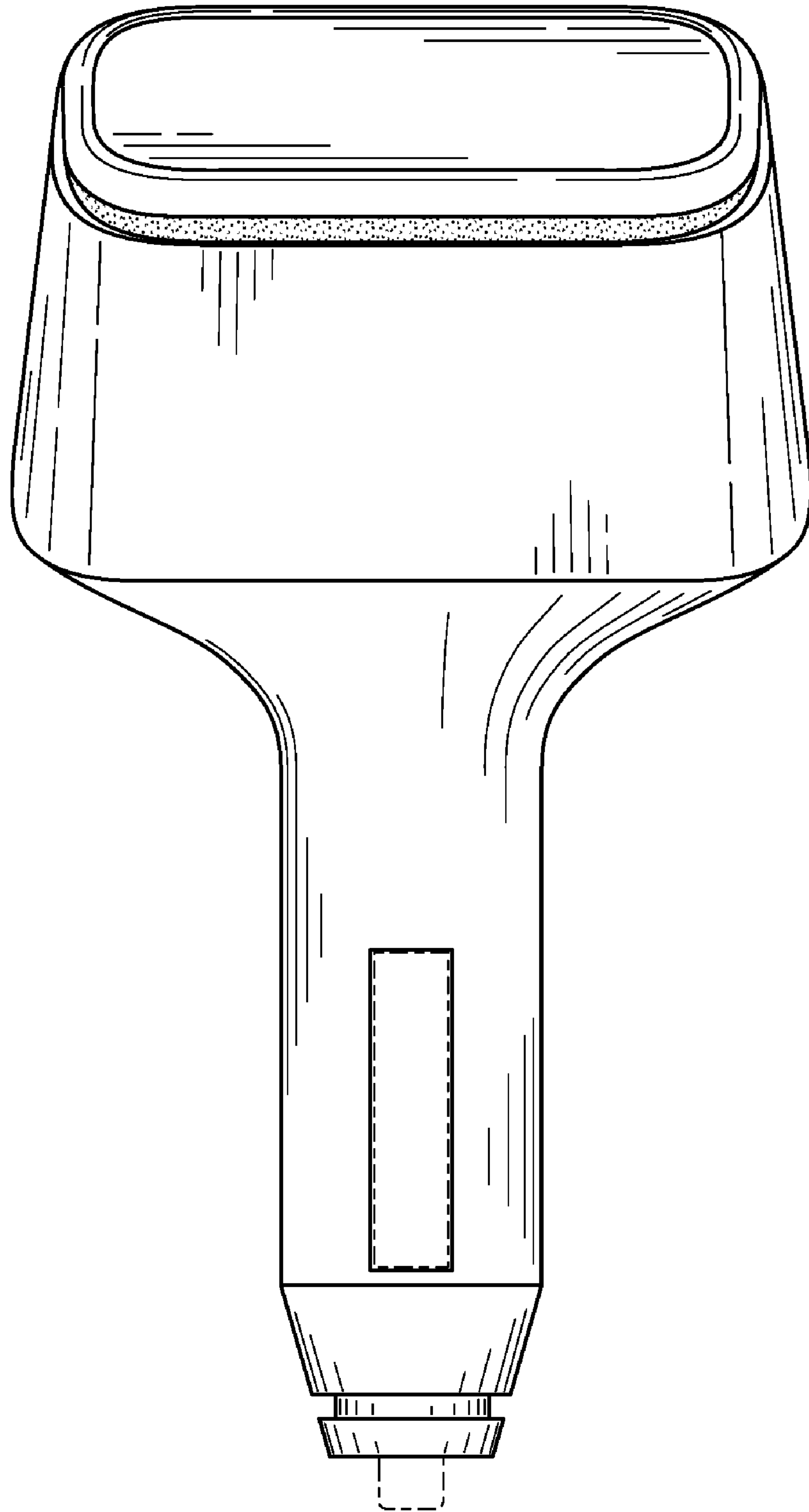


FIG. 2

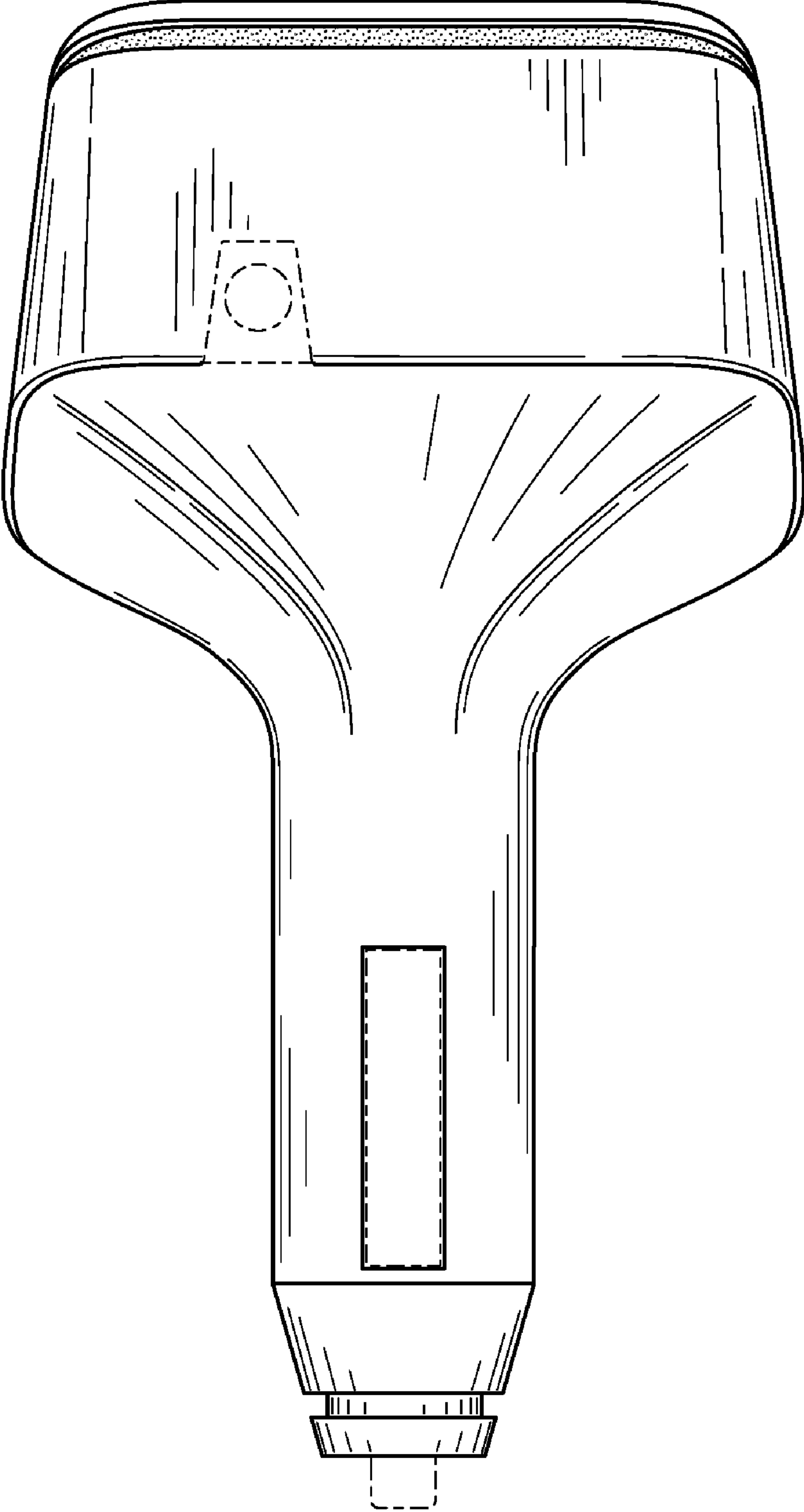


FIG. 3

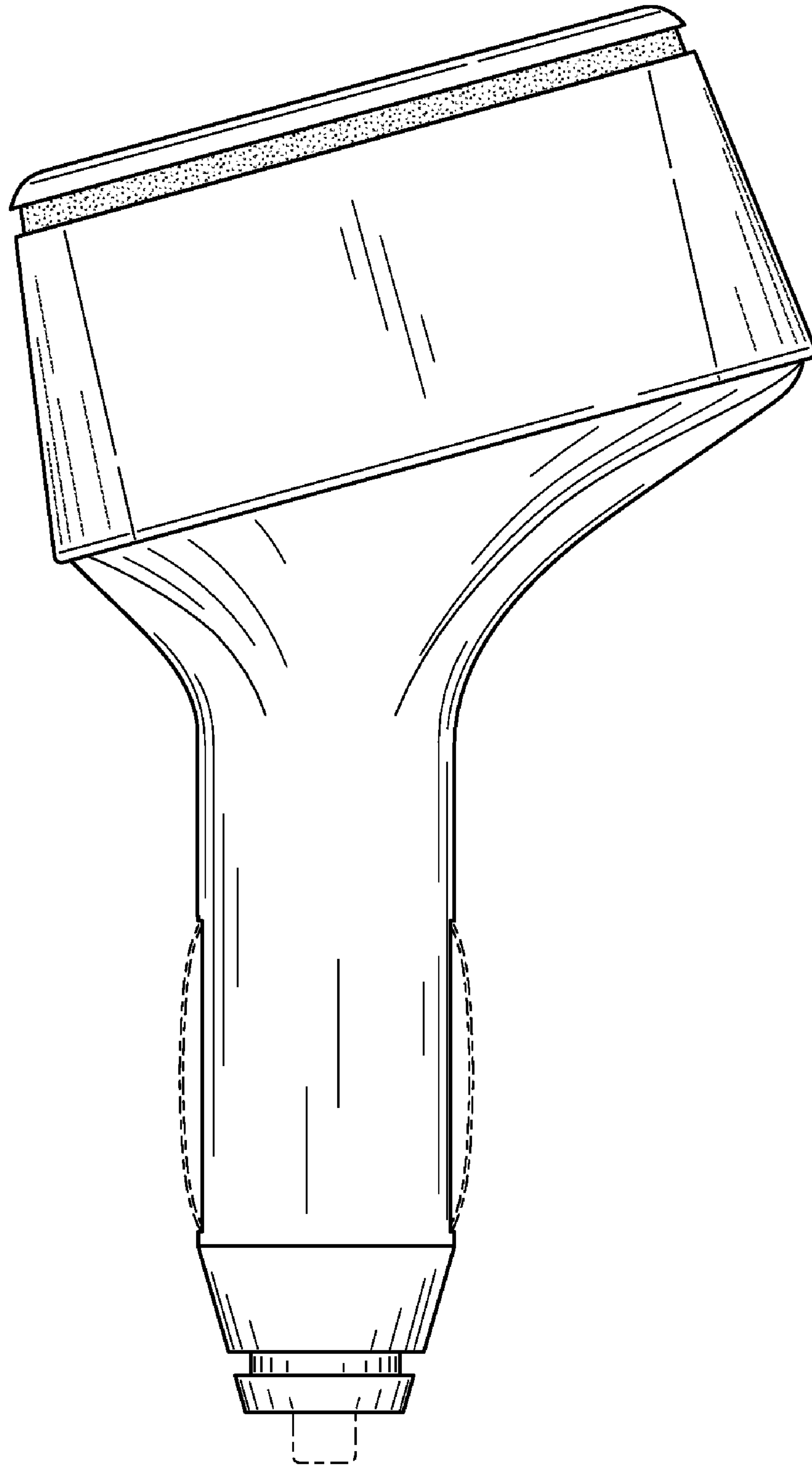


FIG. 4

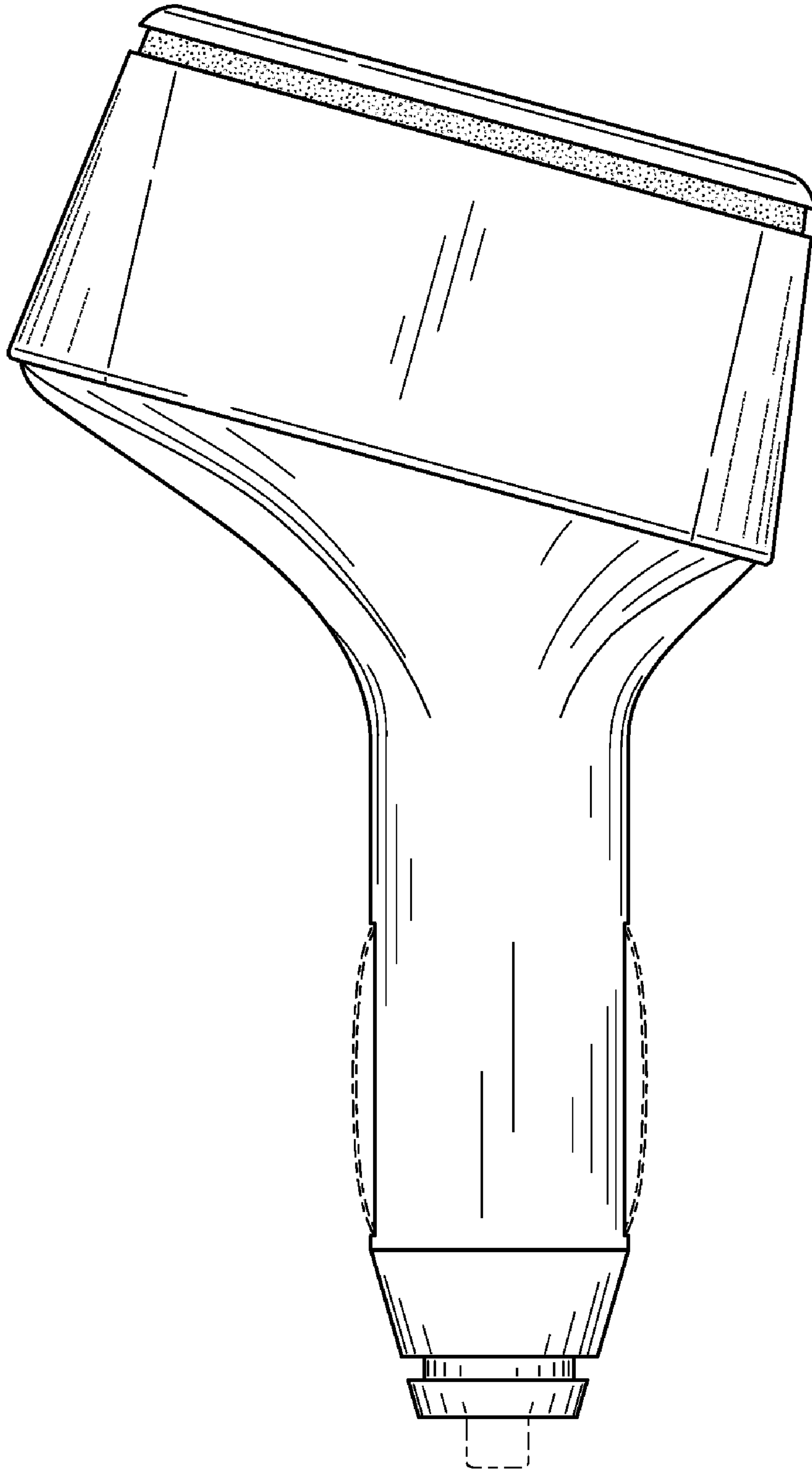


FIG. 5



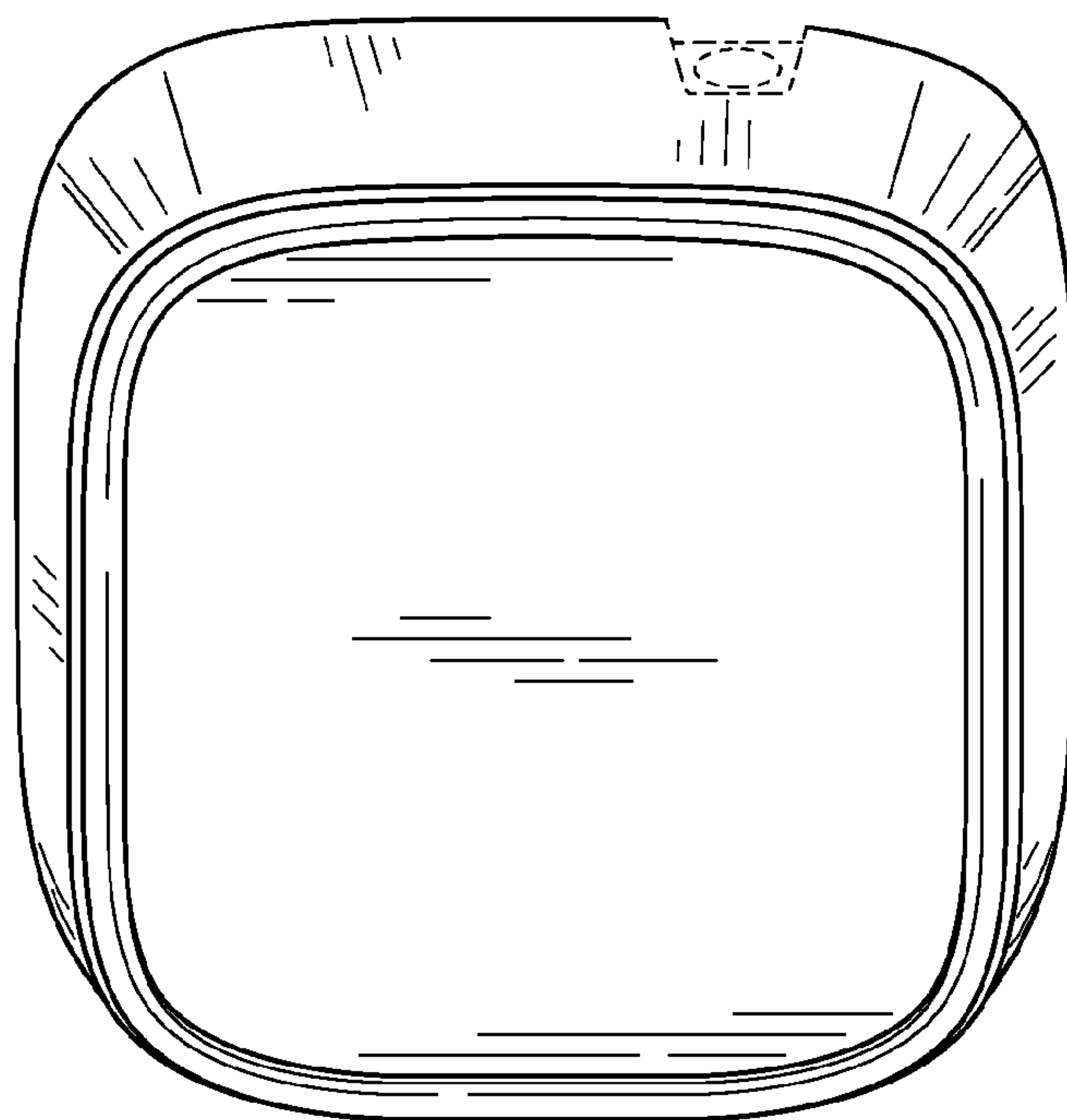


FIG. 6

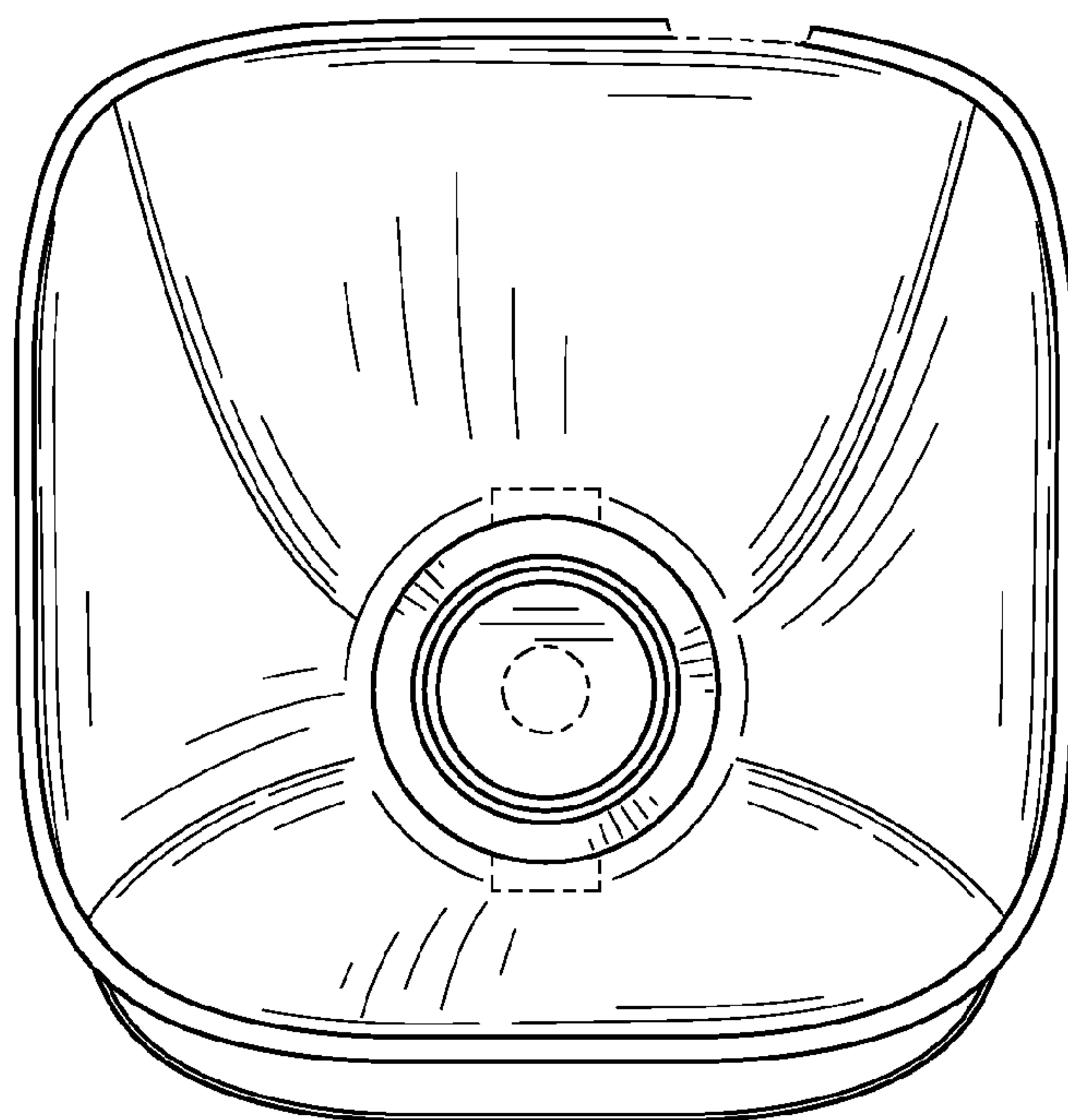


FIG. 7