

US00D592595S

(12) **United States Design Patent**
Heinzen et al.

(10) **Patent No.:** **US D592,595 S**

(45) **Date of Patent:** **** May 19, 2009**

(54) **BATTERY FOR A COMBUSTION TOOL**

(75) Inventors: **William J. Heinzen**, Glenview, IL (US);
Robert L. Turk, Waukegan, IL (US);
Robert Meyer, Palatine, IL (US)

(73) Assignee: **Illinois Tool Works Inc.**, Glenview, IL (US)

(**) Term: **14 Years**

(21) Appl. No.: **29/324,093**

(22) Filed: **Sep. 5, 2008**

Related U.S. Application Data

(62) Division of application No. 29/298,652, filed on Dec. 10, 2007, now Pat. No. Des. 580,852.

(51) **LOC (9) Cl.** **13-02**

(52) **U.S. Cl.** **D13/119**

(58) **Field of Classification Search** D13/102–106,
D13/110, 118–119, 184; 429/96–100, 163,
429/176

See application file for complete search history.

(56) **References Cited**

U.S. PATENT DOCUMENTS

D264,347 S	5/1982	Peroni	
D292,696 S *	11/1987	Sahli	D13/106
D303,524 S	9/1989	Siegner et al.	
D310,205 S *	8/1990	Hedrington et al.	D13/103
D346,584 S *	5/1994	Taniguchi	D13/119
D356,776 S	3/1995	Yoshii	
D362,424 S	9/1995	Sumita et al.	
D368,429 S	4/1996	Serio, Jr.	
D374,673 S	10/1996	Beaumont et al.	
D380,475 S	7/1997	Rasmussen	
D400,512 S *	11/1998	Korhonen	D13/184
D400,513 S *	11/1998	Seirio	D13/184
D403,656 S	1/1999	Ichikawa	
D417,188 S	11/1999	Maeyama	

D419,132 S *	1/2000	Suzuki et al.	D13/104
D434,723 S	12/2000	Fushimi	
D478,866 S *	8/2003	Nakai	D13/103
D496,906 S	10/2004	Vinciarelli et al.	
D506,065 S	6/2005	Sugino et al.	
D506,438 S *	6/2005	Vinciarelli et al.	D13/110
D522,451 S	6/2006	Hayes et al.	

* cited by examiner

Primary Examiner—Jennifer Rivard

Assistant Examiner—Rosemary K Tarcza

(74) *Attorney, Agent, or Firm*—Greer, Burns & Crain, Ltd.;
Mark W. Croll; Christopher P. Rauch

(57) **CLAIM**

The ornamental design for a battery for a combustion tool, as shown and described.

DESCRIPTION

FIG. 1 is a top perspective view of a battery for a combustion tool of the present invention;

FIG. 2 is a front view of the battery for a combustion tool of FIG. 1;

FIG. 3 is a right side view of the battery for a combustion tool of FIG. 1;

FIG. 4 is a left side view of the same;

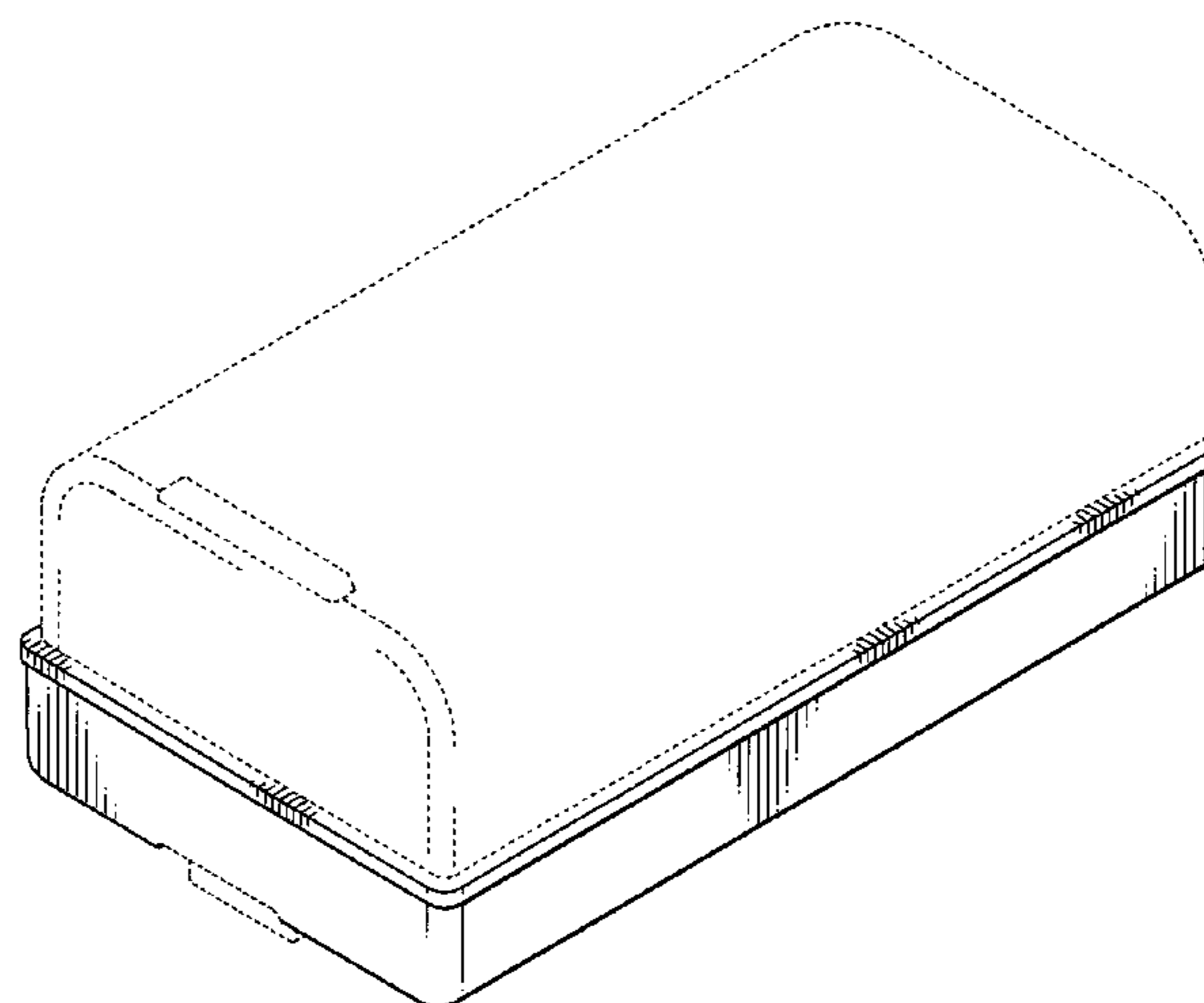
FIG. 5 is a rear view of the battery for a combustion tool of FIG. 1;

FIG. 6 is top view of the same; and,

FIG. 7 is a bottom view of the battery for a combustion tool of FIG. 1.

The structure depicted in broken lines is provided for environmental purposes only and does not constitute part of the claimed design. The broken lines directly adjacent to shaded areas define the bounds of the claimed design and form no part of the claimed design.

1 Claim, 7 Drawing Sheets



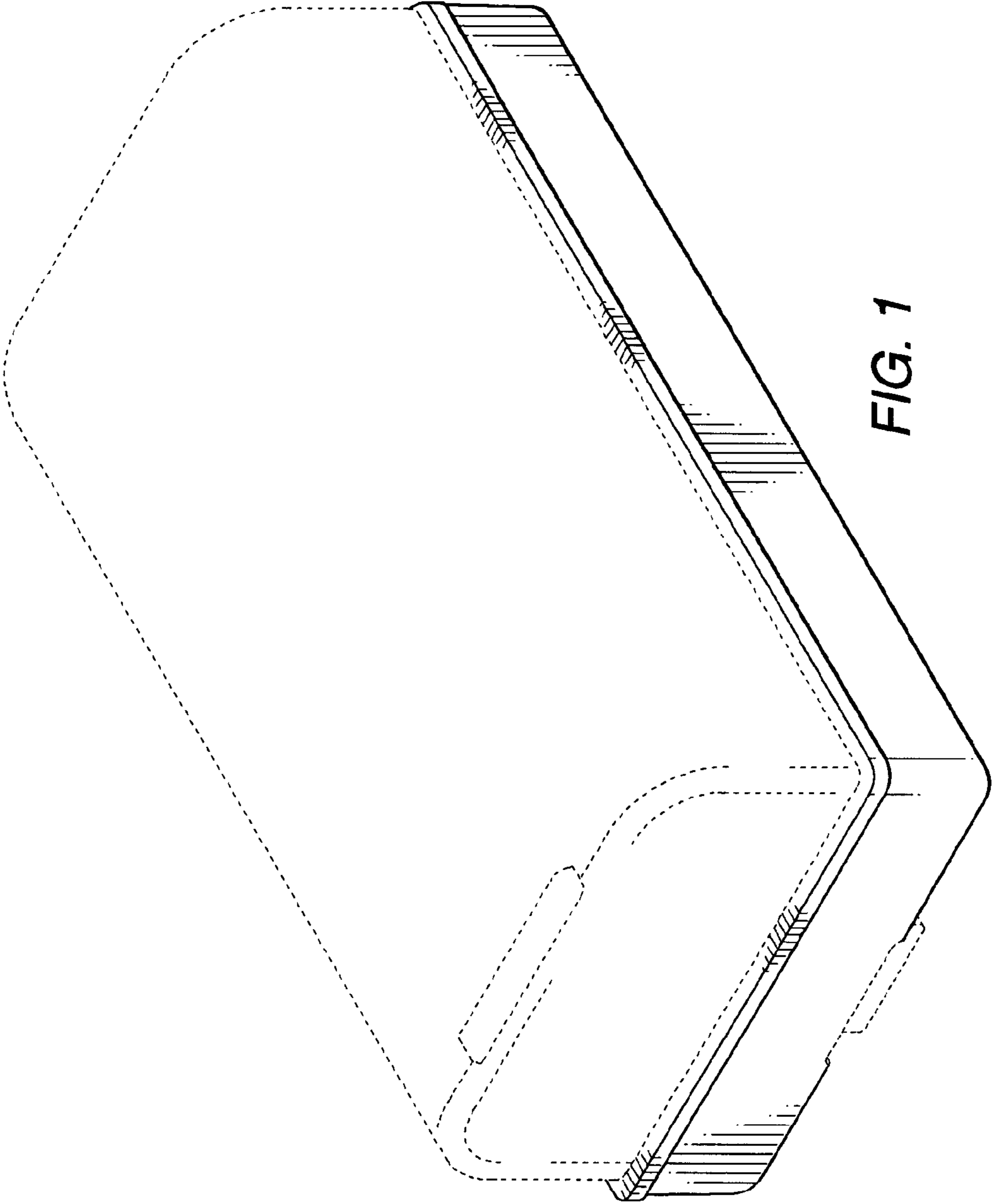


FIG. 1

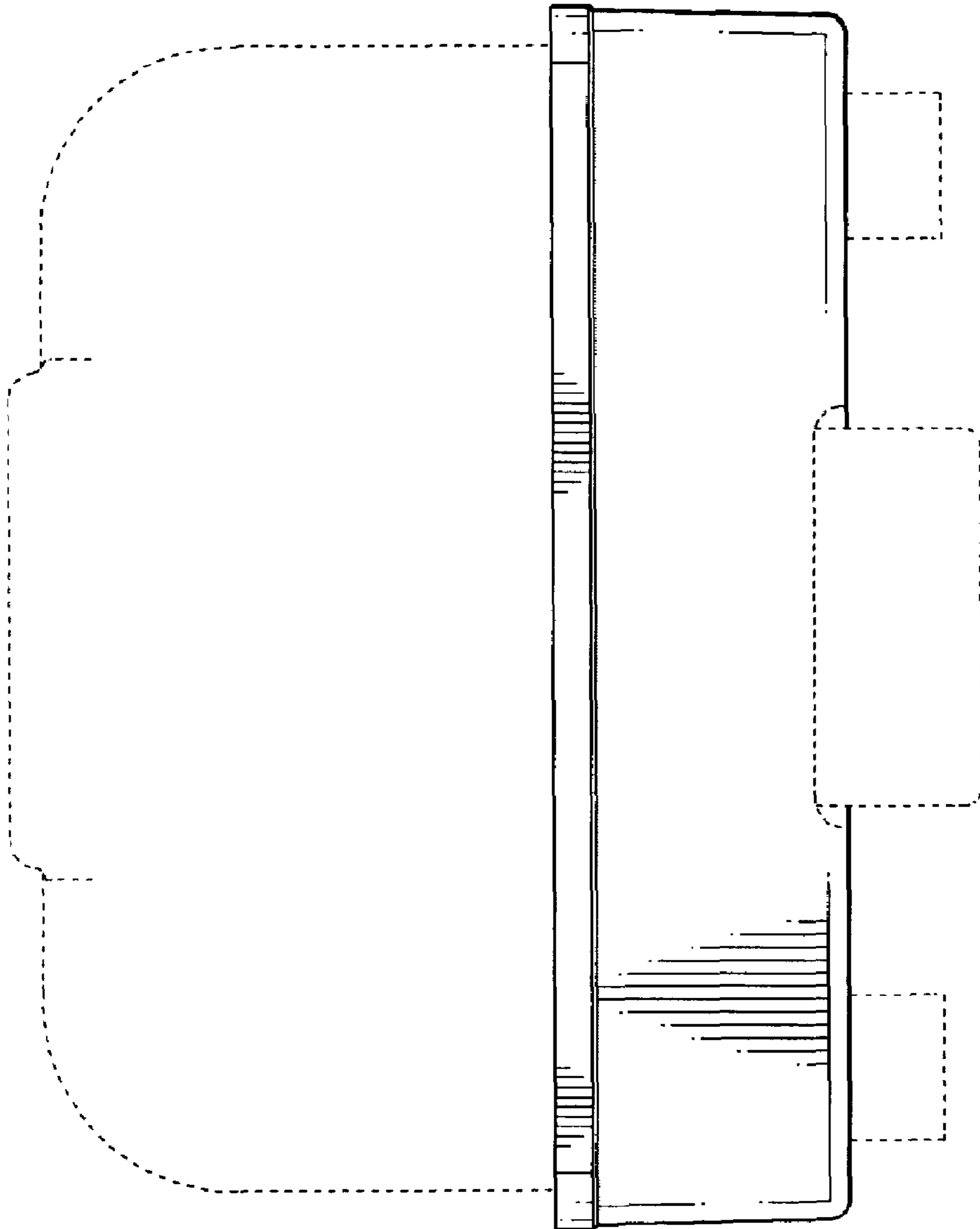


FIG. 2

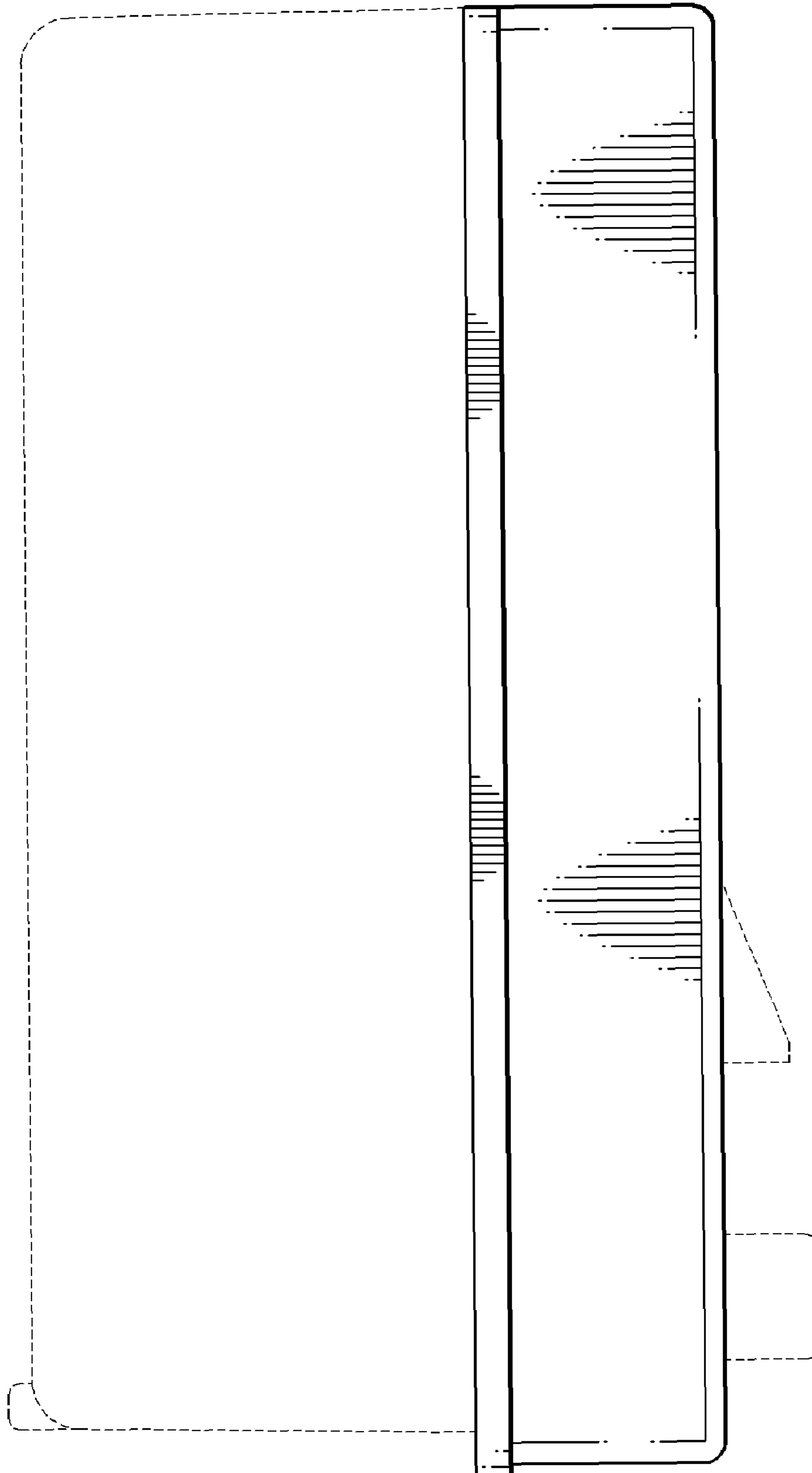


FIG. 3

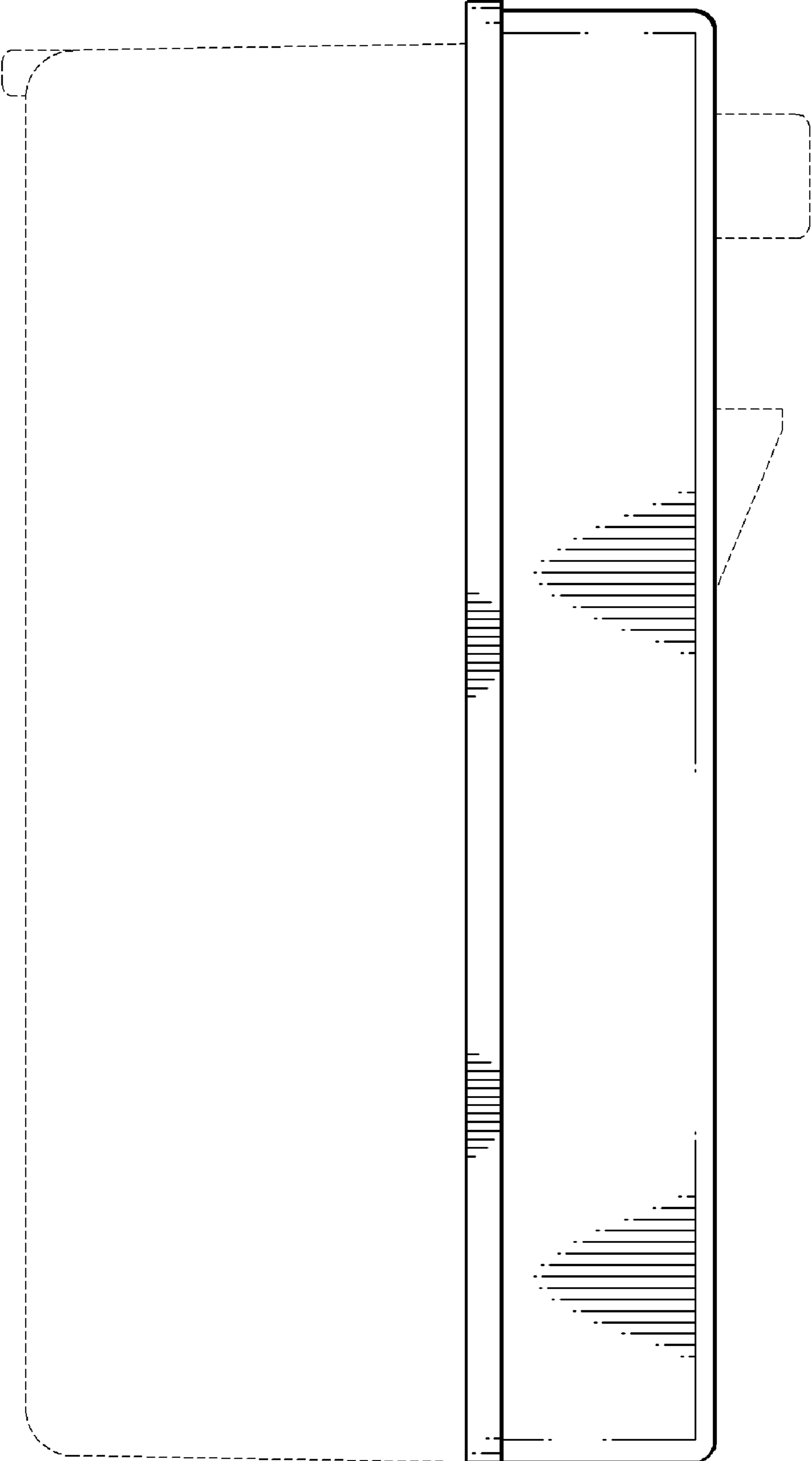


FIG. 4

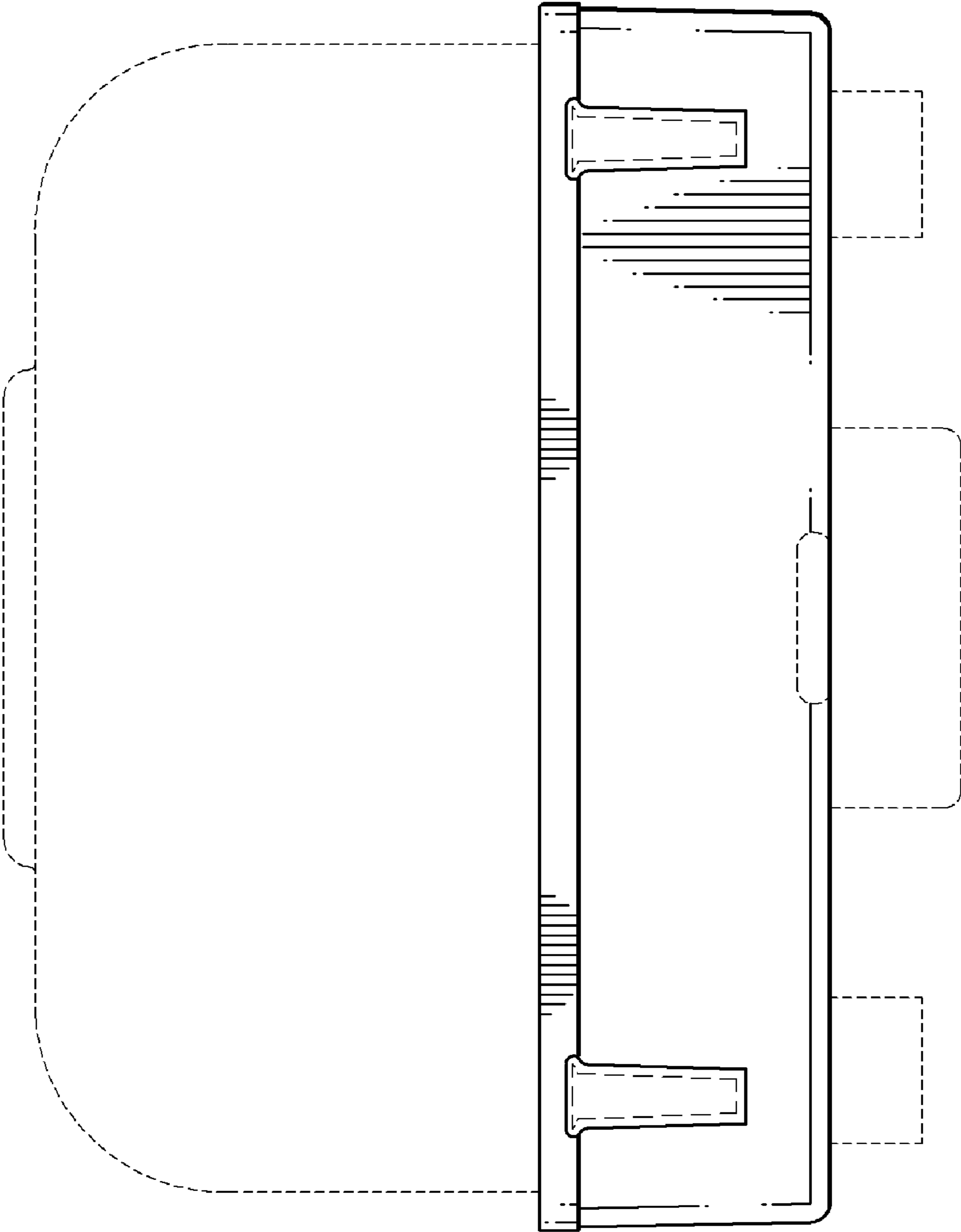


FIG. 5

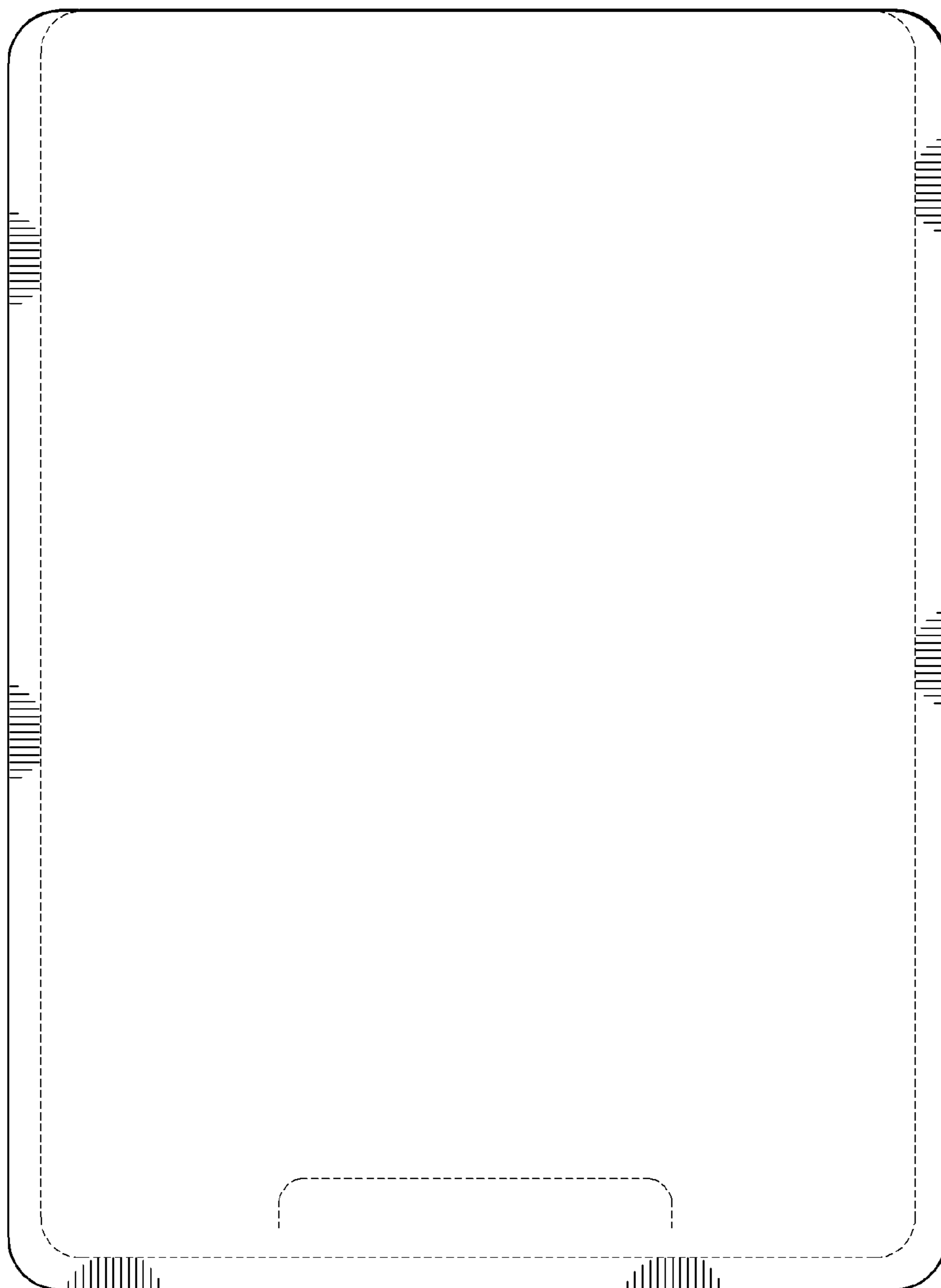


FIG. 6

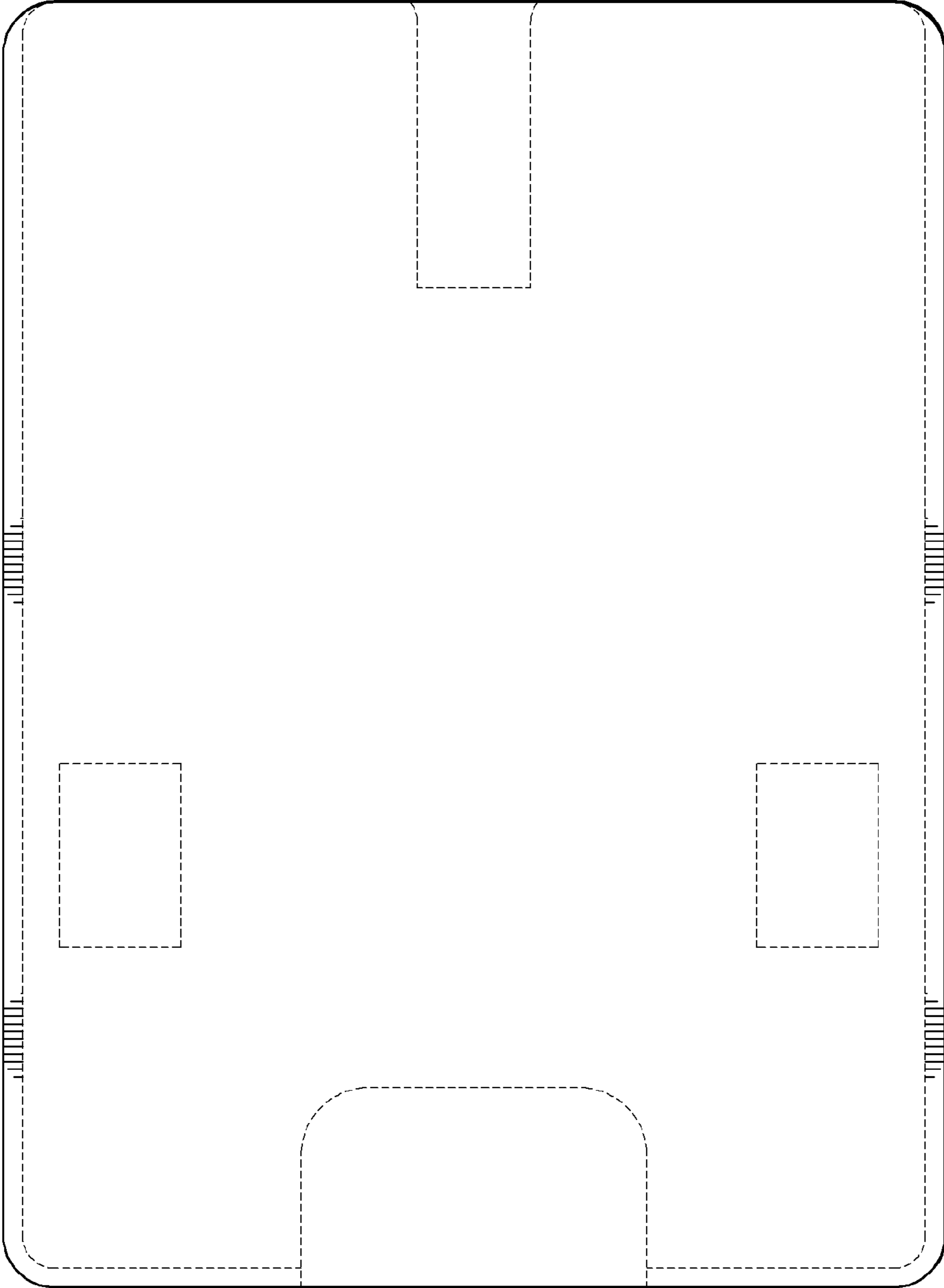


FIG. 7