



US00D592591S

(12) **United States Design Patent**  
**Kuwano**

(10) **Patent No.:** **US D592,591 S**

(45) **Date of Patent:** **\*\* May 19, 2009**

(54) **AUTOMOBILE TIRE**

(75) Inventor: **Shingo Kuwano**, Osaka (JP)

(73) Assignee: **Toyo Tire & Rubber Co., Ltd.**, Osaka (JP)

(\*\*) Term: **14 Years**

(21) Appl. No.: **29/329,476**

(22) Filed: **Dec. 16, 2008**

(30) **Foreign Application Priority Data**

Dec. 4, 2008 (JP) ..... 2008-031049

(51) **LOC (9) Cl.** ..... **12-15**

(52) **U.S. Cl.** ..... **D12/605**

(58) **Field of Classification Search** ..... D12/500-501,  
D12/544, 579, 600, 605, 213; 152/523-524,  
152/DIG. 12, 555; D7/570-576  
See application file for complete search history.

(56) **References Cited**

U.S. PATENT DOCUMENTS

- D48,885 S \* 4/1916 Downing ..... D12/605
- D378,811 S \* 4/1997 Attinello et al. .... D12/605
- D385,834 S \* 11/1997 Ratliff, Jr. .... D12/605
- D479,190 S \* 9/2003 Maxwell ..... D12/605
- D483,010 S \* 12/2003 Maxwell ..... D12/605
- D508,886 S \* 8/2005 Nishimura ..... D12/213
- D549,165 S \* 8/2007 Shondel et al. .... D12/605
- D576,544 S \* 9/2008 Onoe ..... D12/605

D577,662 S \* 9/2008 Umstot et al. .... D12/605

FOREIGN PATENT DOCUMENTS

- JP 1222116 S 11/2004
- JP 1253595 S 10/2005

\* cited by examiner

*Primary Examiner*—Stacia Cadmus

(74) *Attorney, Agent, or Firm*—Westerman, Hattori, Daniels & Adrian, LLP.

(57) **CLAIM**

The ornamental design for an automobile tire, as shown and described.

**DESCRIPTION**

FIG. 1 is a front, elevation view of an automobile tire showing my new design;

FIG. 2 is a rear, elevation view thereof;

FIG. 3 is a left-side, elevation view thereof;

FIG. 4 is a top, plan view thereof;

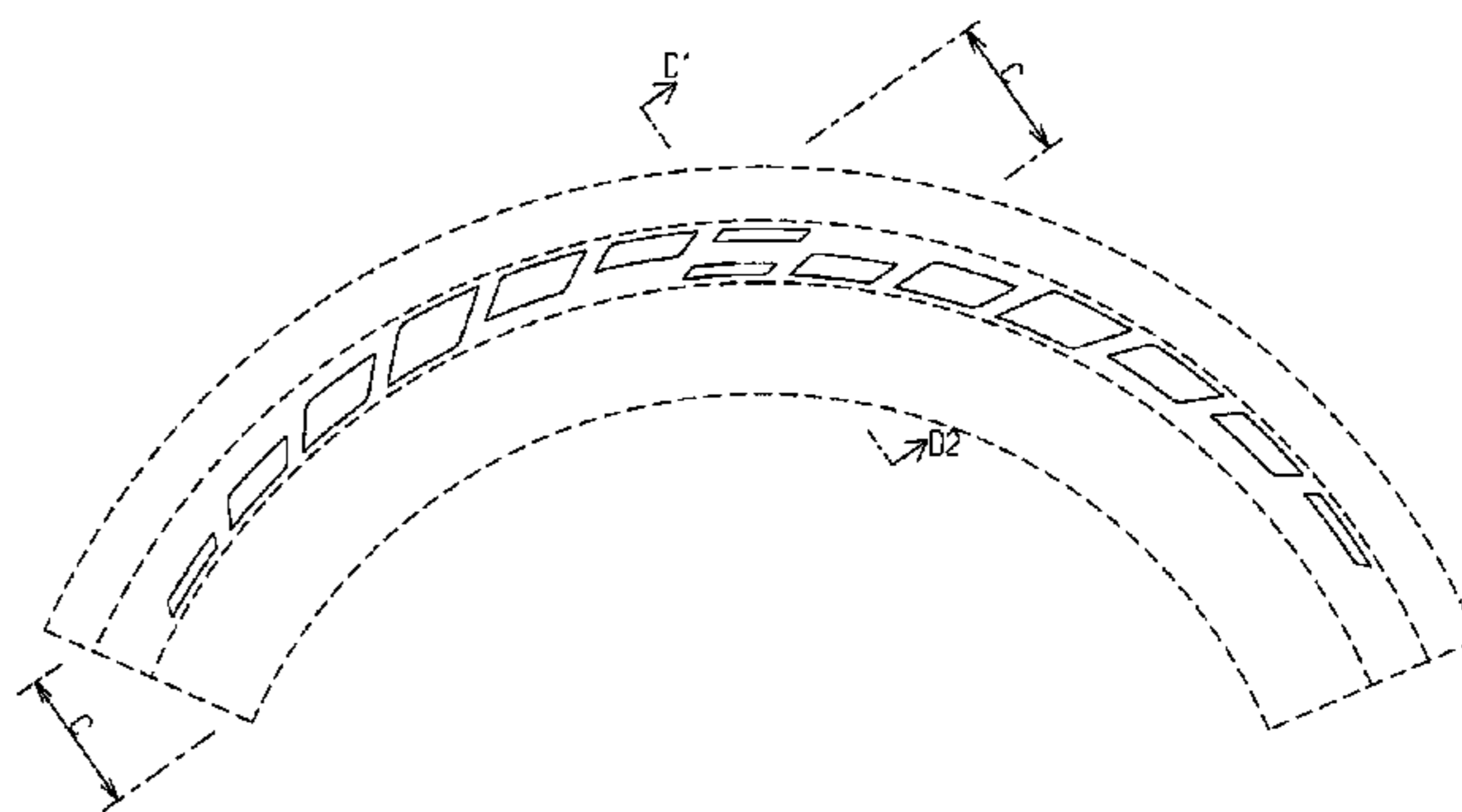
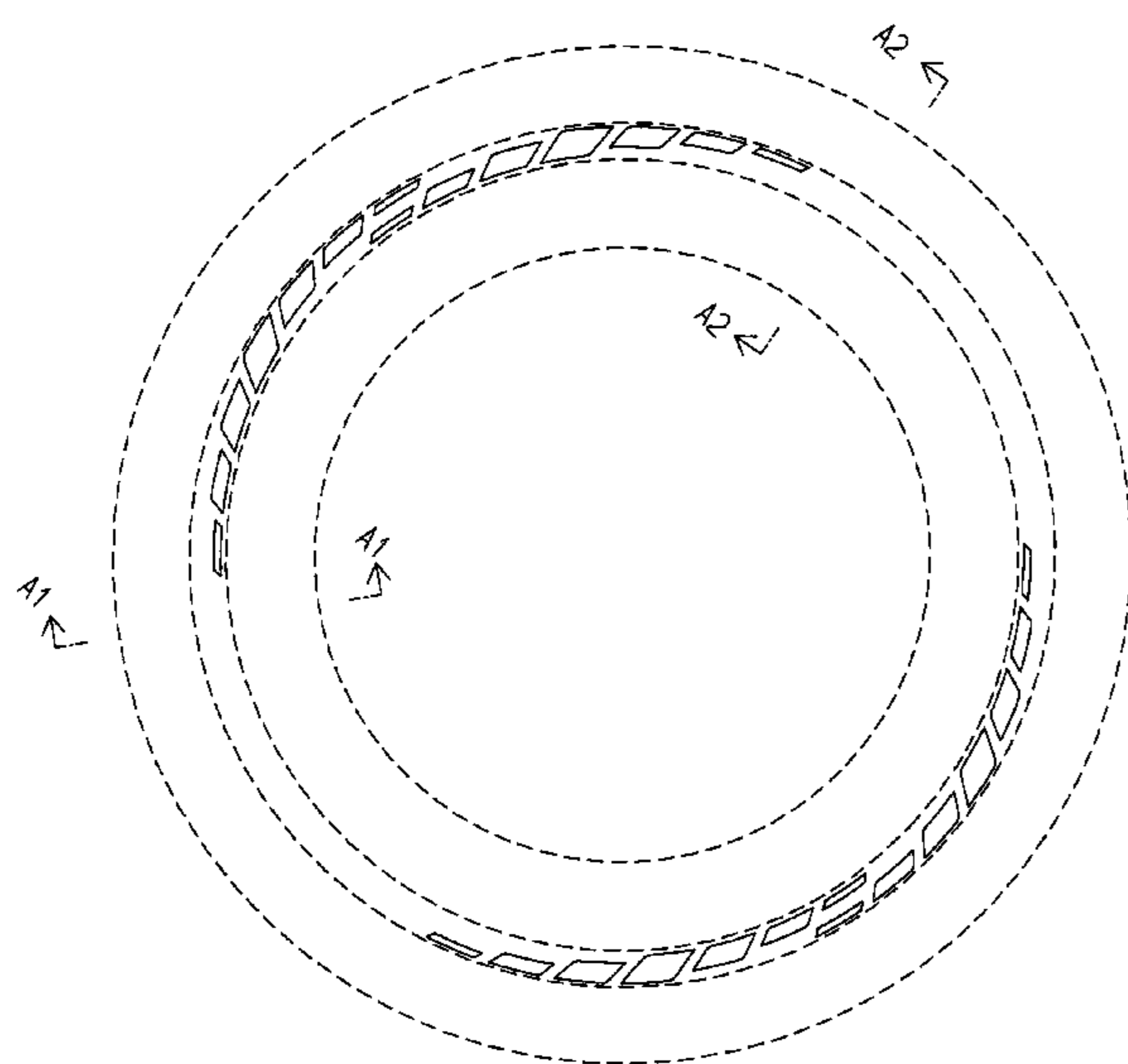
FIG. 5 is a perspective view thereof;

FIG. 6 is an enlarged view of the part A1-A2 in FIG. 1; and,

FIG. 7 is an enlarged cross-section view taken along the line D1-D2 in FIG. 6, in the part B-B of FIG. 4 and the part C-C of FIG. 6.

The broken line showing of the tire is included for the purpose of illustrating environment and forms no part of the claimed design.

**1 Claim, 7 Drawing Sheets**



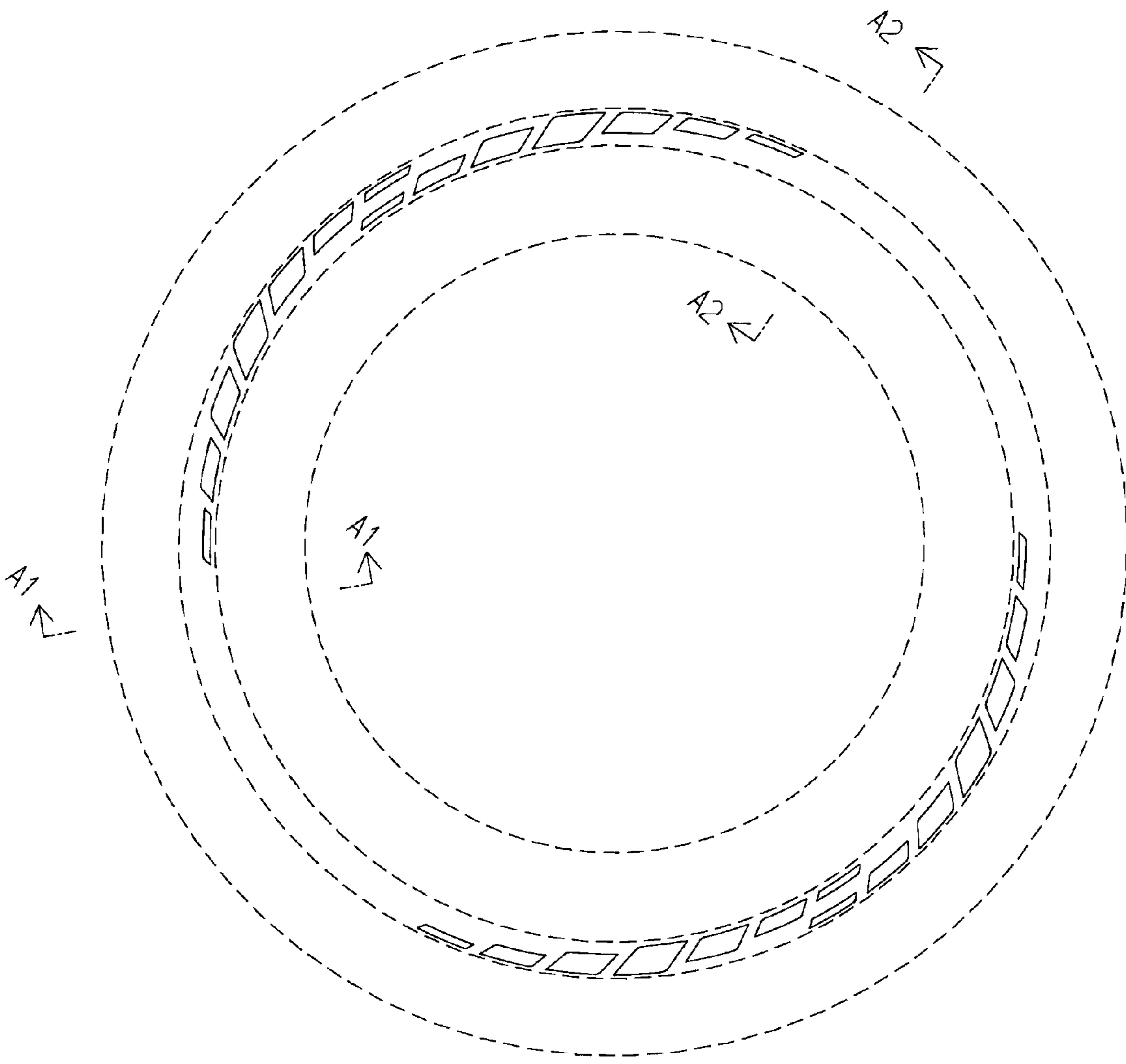


FIG.1

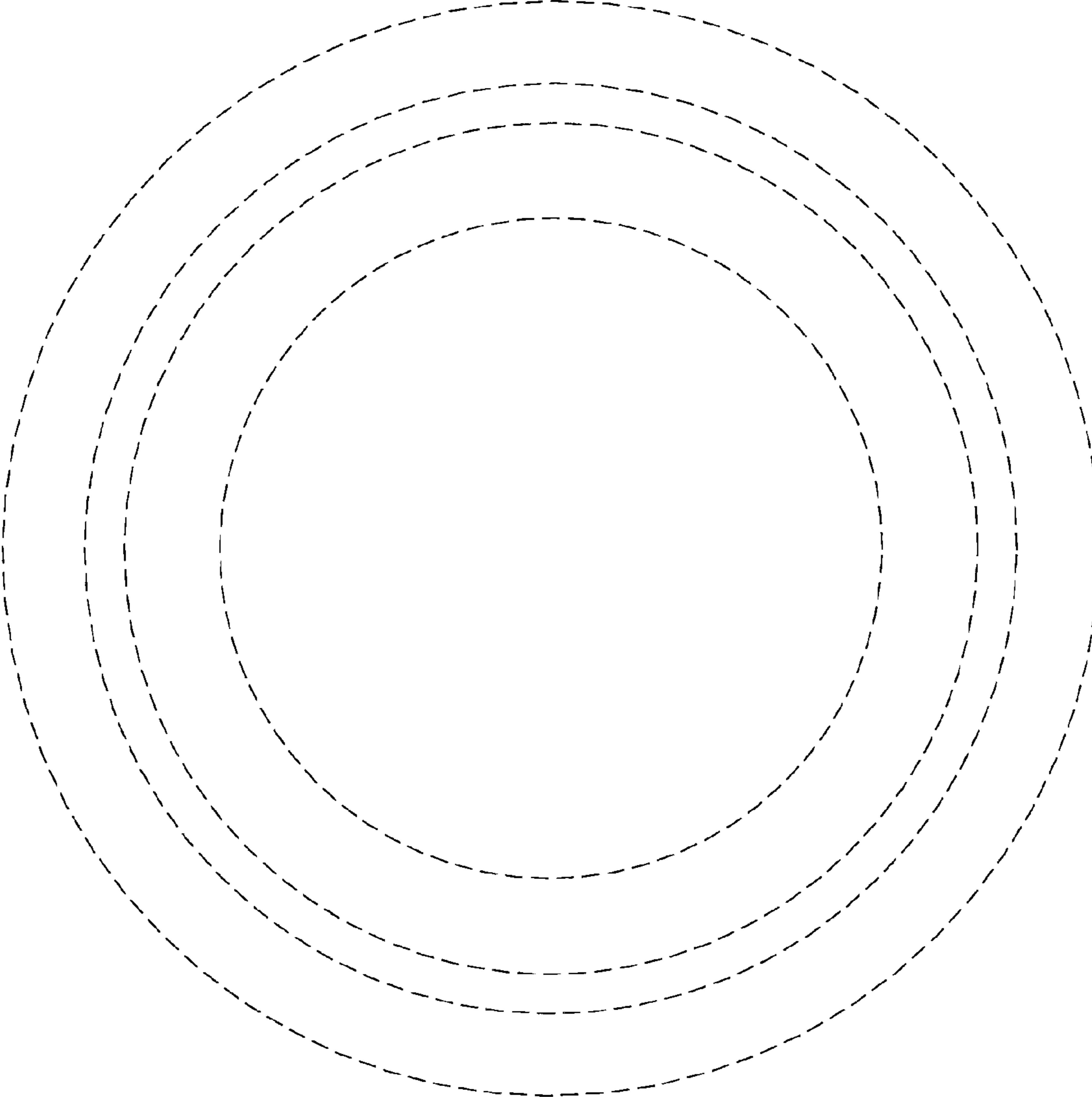


FIG.2

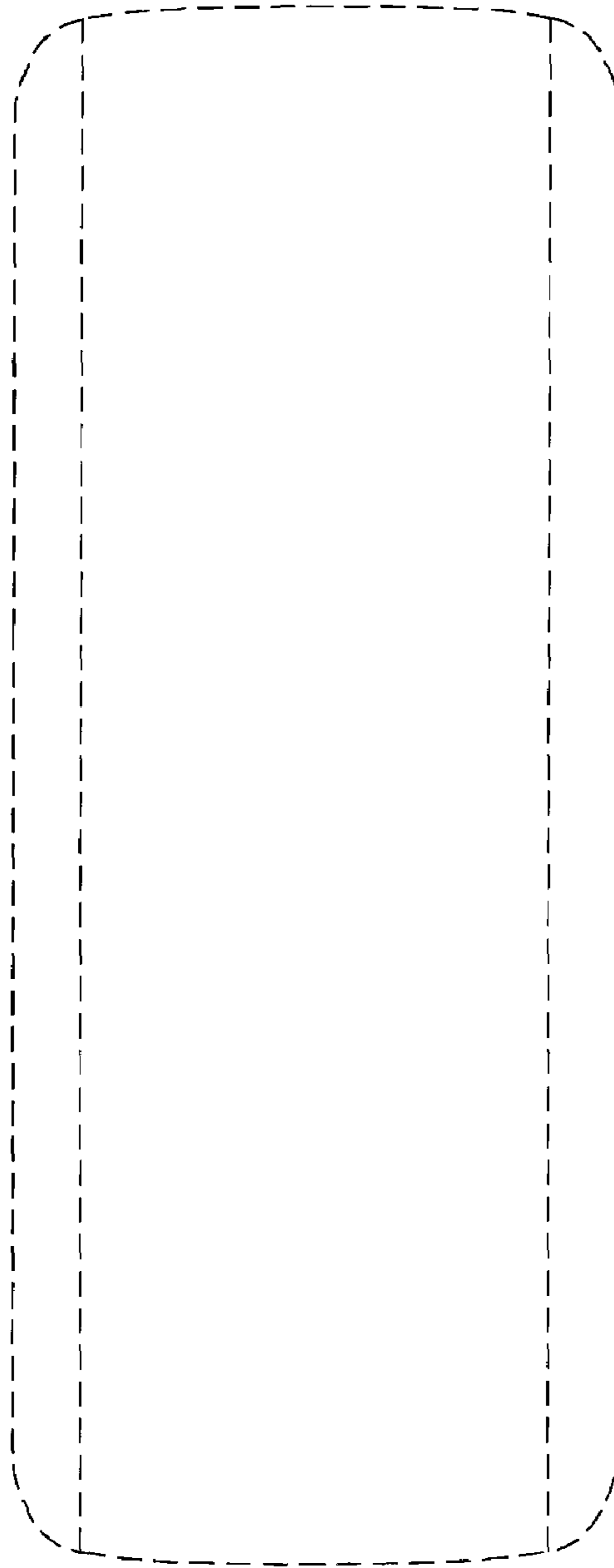


FIG.3

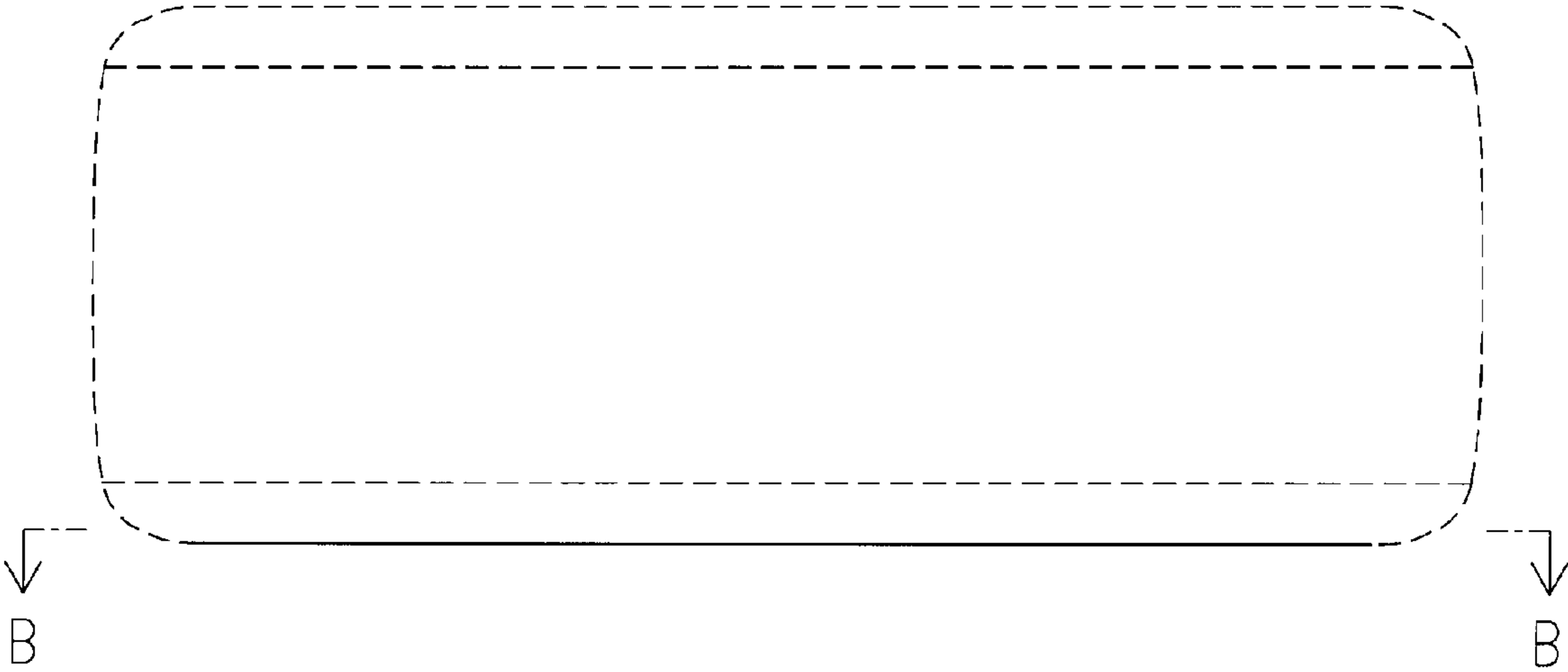


FIG.4

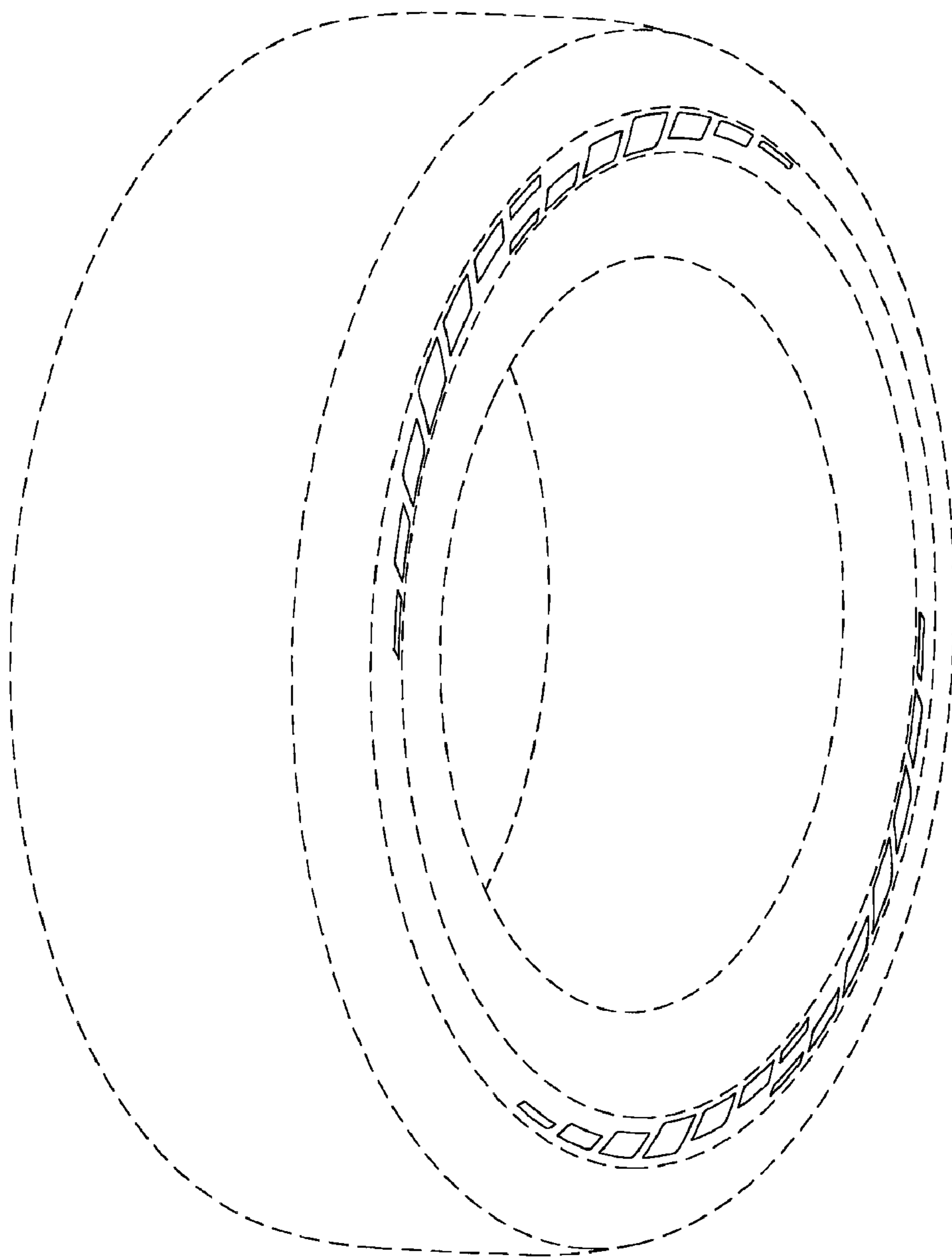


FIG. 5

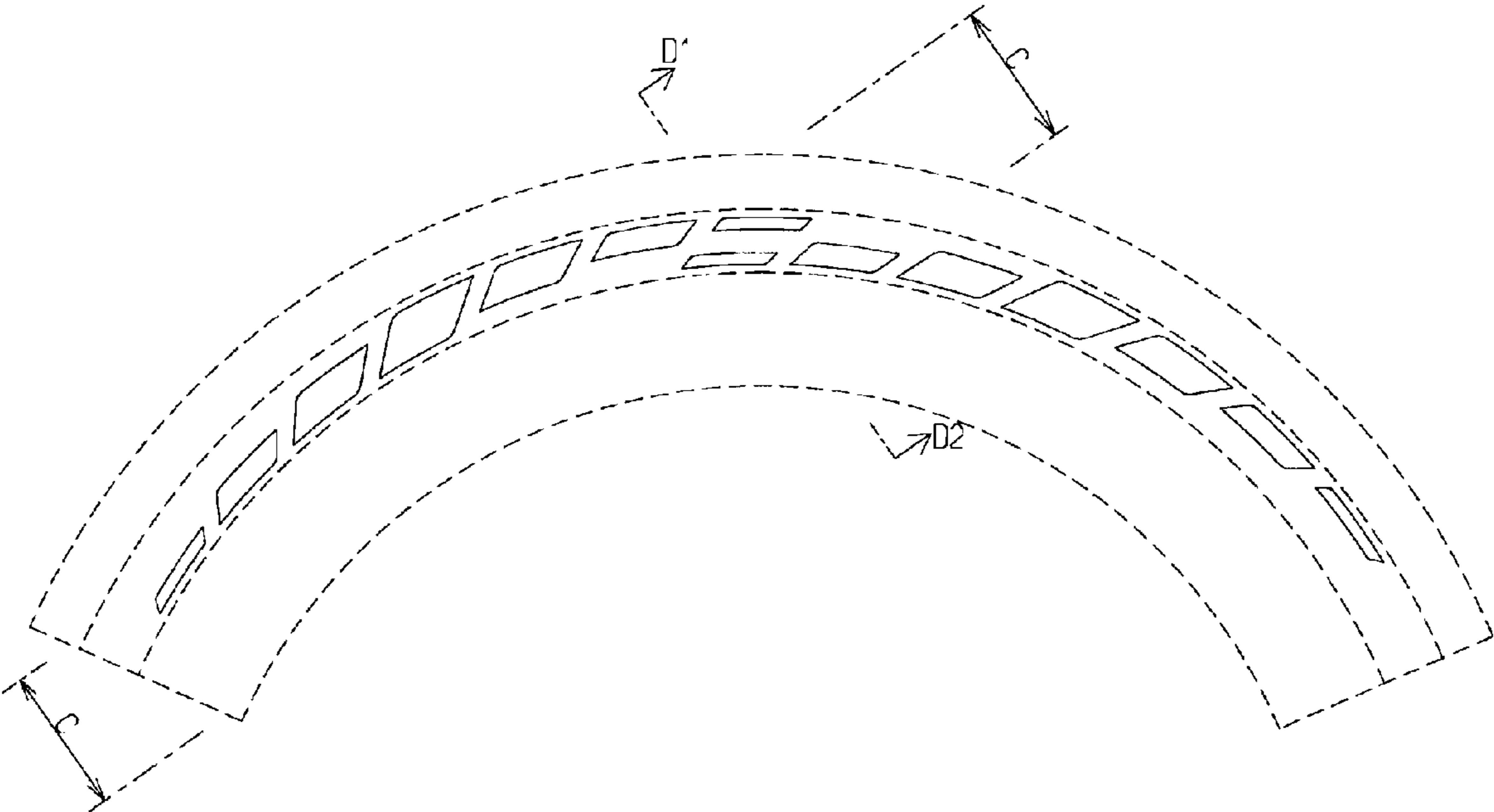
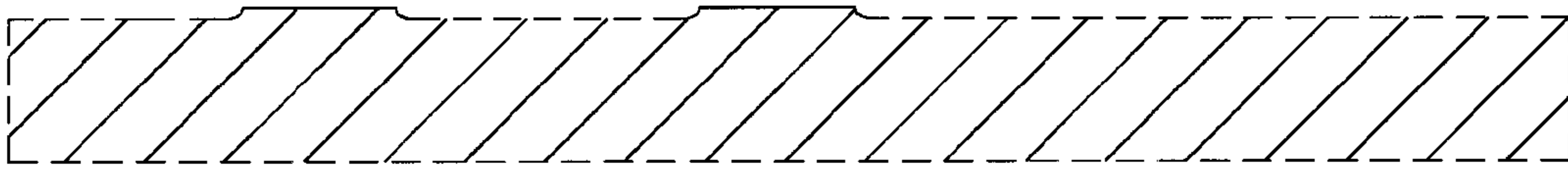


FIG.6



**FIG.7**