

US00D592585S

(12) **United States Design Patent**
Moburg et al.

(10) **Patent No.:** **US D592,585 S**

(45) **Date of Patent:** **** May 19, 2009**

(54) **VEHICLE CEILING CONSOLE**

(75) Inventors: **Frank Moburg**, Orange, CA (US);
Chirag Patel, Long Beach, CA (US)

(73) Assignee: **Honda Motor Co., Ltd.**, Tokyo (JP)

(**) Term: **14 Years**

(21) Appl. No.: **29/326,550**

(22) Filed: **Oct. 20, 2008**

(51) **LOC (9) Cl.** **12-16**

(52) **U.S. Cl.** **D12/418**

(58) **Field of Classification Search** D12/415,
D12/418, 400, 195, 190; D14/113, 124,
D14/126, 129, 132-133, 100; 296/37.1-37.8,
296/70, 24.1, 929, 534; 224/311, 539, 281;
180/90; 439/34; 361/683

See application file for complete search history.

(56) **References Cited**

U.S. PATENT DOCUMENTS

D339,780 S * 9/1993 Burdick D12/418
D413,856 S * 9/1999 Scribner D12/418

6,338,517 B1 * 1/2002 Canni et al. 296/37.8
D502,440 S * 3/2005 MacWilliam et al. D12/418
D575,724 S * 8/2008 Tsay et al. D12/418
D580,345 S * 11/2008 Paxton et al. D12/418

* cited by examiner

Primary Examiner—Stacia Cadmus

(74) *Attorney, Agent, or Firm*—Plumsea Law Group, LLC;
Mark E. Duell

(57) **CLAIM**

The ornamental design for a vehicle ceiling console, as shown and described.

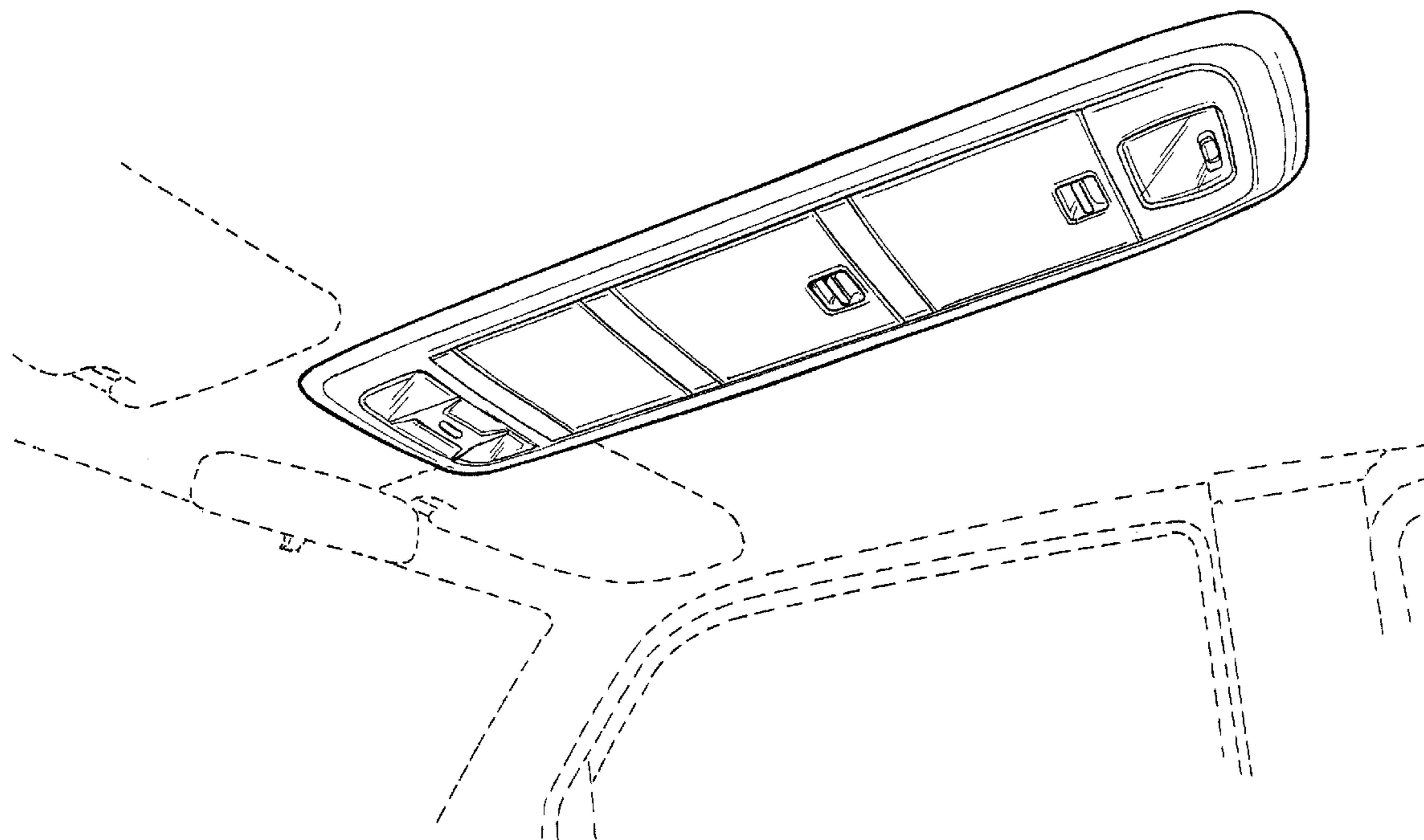
DESCRIPTION

FIG. 1 is a perspective view of a vehicle ceiling console in a closed position showing our new design; and,

FIG. 2 is a perspective view of a vehicle ceiling console in an open position thereof.

The broken line showings of the edges of inner compartment doors and the remainder of the vehicle interior depict environmental subject matter and form no part of the claimed design.

1 Claim, 2 Drawing Sheets



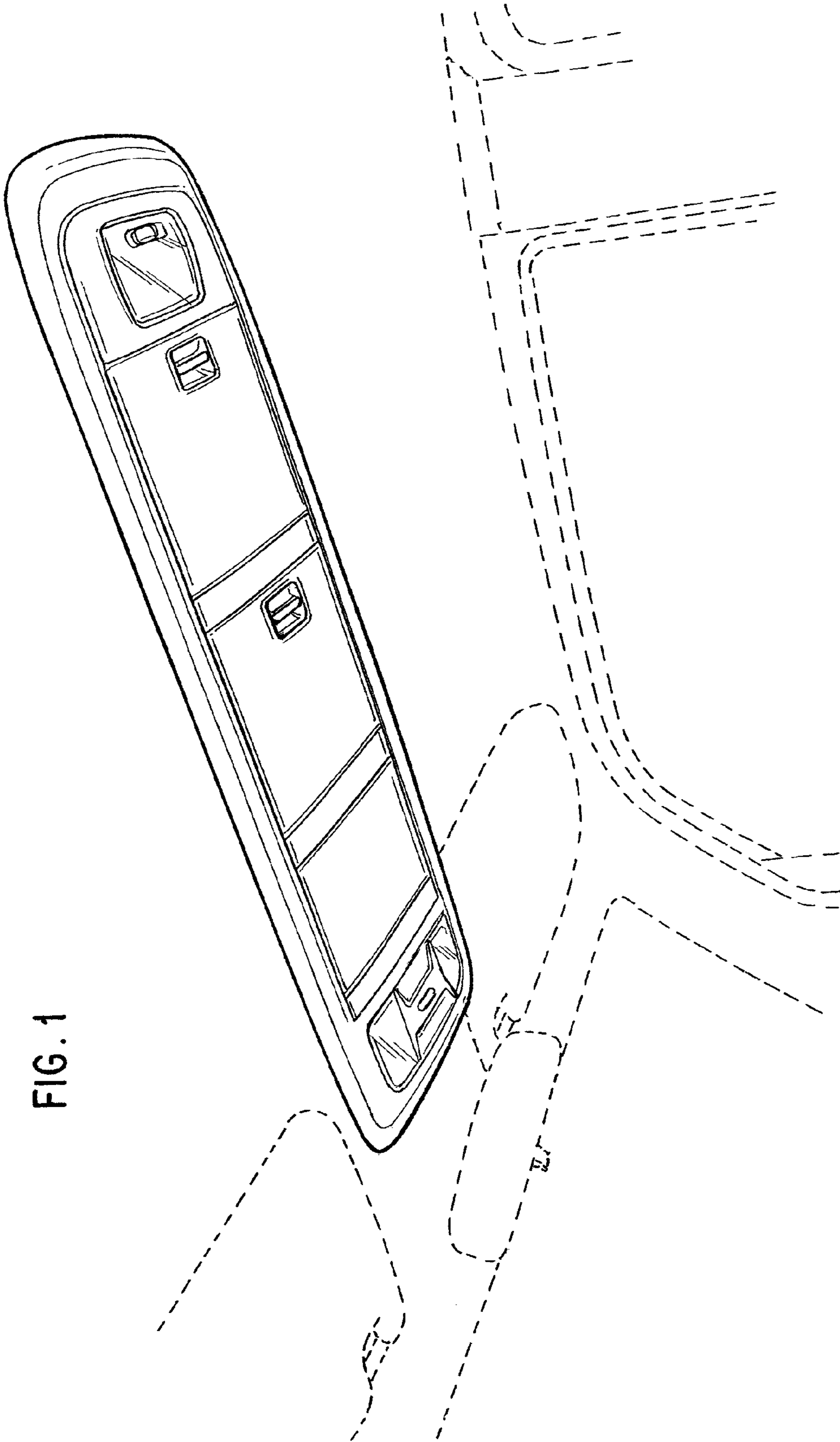


FIG. 1

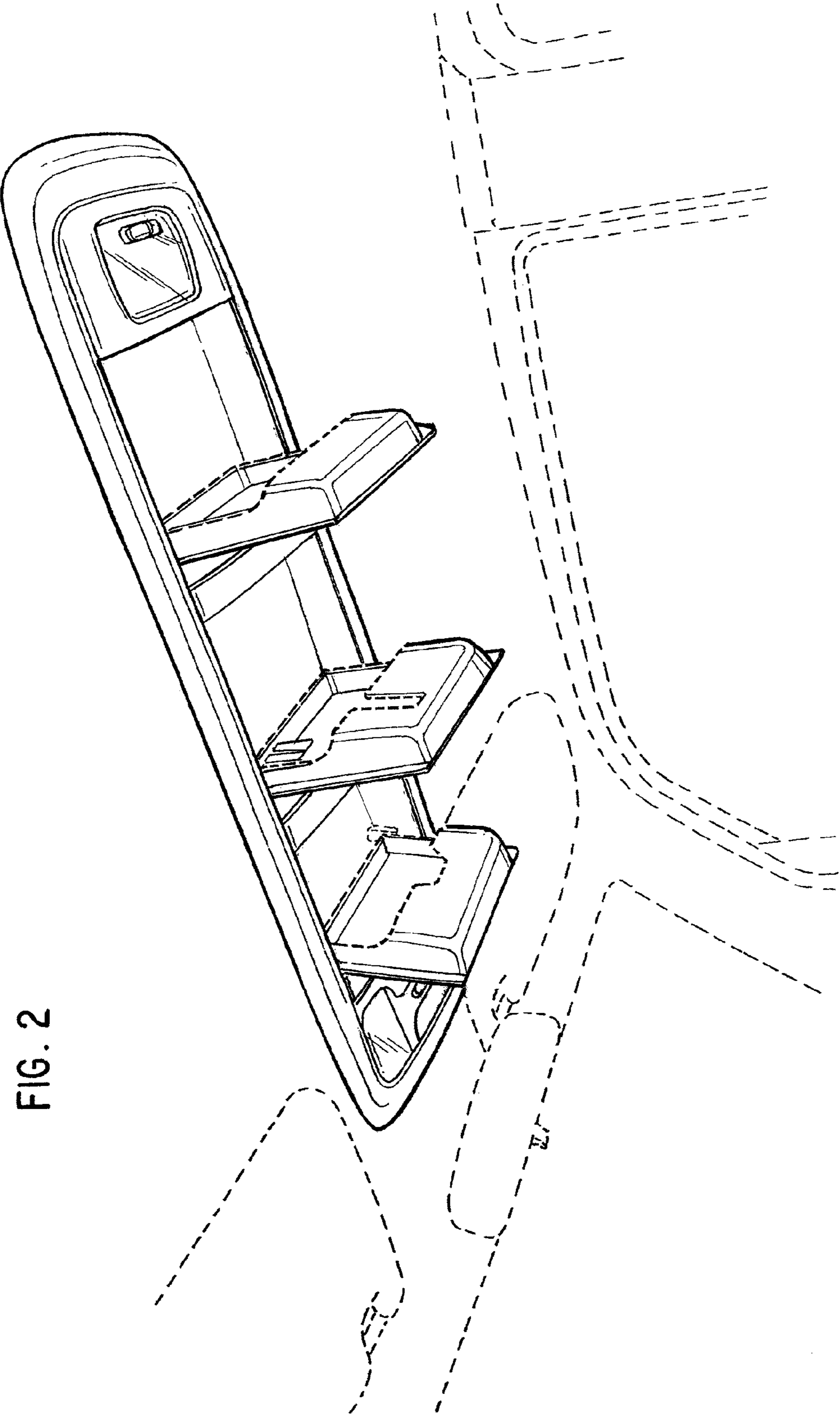


FIG. 2