



US00D592584S

(12) **United States Design Patent**
Schuephaus et al.

(10) **Patent No.:** **US D592,584 S**

(45) **Date of Patent:** **** May 19, 2009**

(54) **SIDE LINING PANEL FOR AN AIRCRAFT CABIN**

6,786,453 B2 * 9/2004 Jones 244/129.3

(75) Inventors: **Florian Schuephaus**, Hamburg (DE);
Silvan Fiedler, Ulm (DE)

* cited by examiner

(73) Assignee: **Airbus Deutschland GmbH**, Hamburg (DE)

Primary Examiner—Ian Simmons

Assistant Examiner—Dana L Sipos

(**) Term: **14 Years**

(74) *Attorney, Agent, or Firm*—Wood, Herron & Evans, L.L.P.

(21) Appl. No.: **29/295,858**

(57) **CLAIM**

(22) Filed: **Oct. 9, 2007**

The ornamental design for the side lining panel for an aircraft cabin, as shown and described.

(30) **Foreign Application Priority Data**

DESCRIPTION

Apr. 18, 2007 (EM) 000709167

(51) **LOC (9) Cl.** **12-07**

(52) **U.S. Cl.** **D12/345**

(58) **Field of Classification Search** D12/317–319,
D12/322–324, 326, 343, 345, 400, 195, 183;
114/78, 189; D25/52; 244/117 R, 119, 126,
244/129.1, 129.3; 296/200–201

See application file for complete search history.

FIG. 1 is a front elevation view of a first embodiment of a side lining panel for an aircraft cabin showing our new design.

FIG. 2 is a front, left side perspective view thereof.

FIG. 3 is a front elevation view of a second embodiment of a side lining panel for an aircraft cabin showing our design; and,

FIG. 4 is a front, left side perspective view thereof.

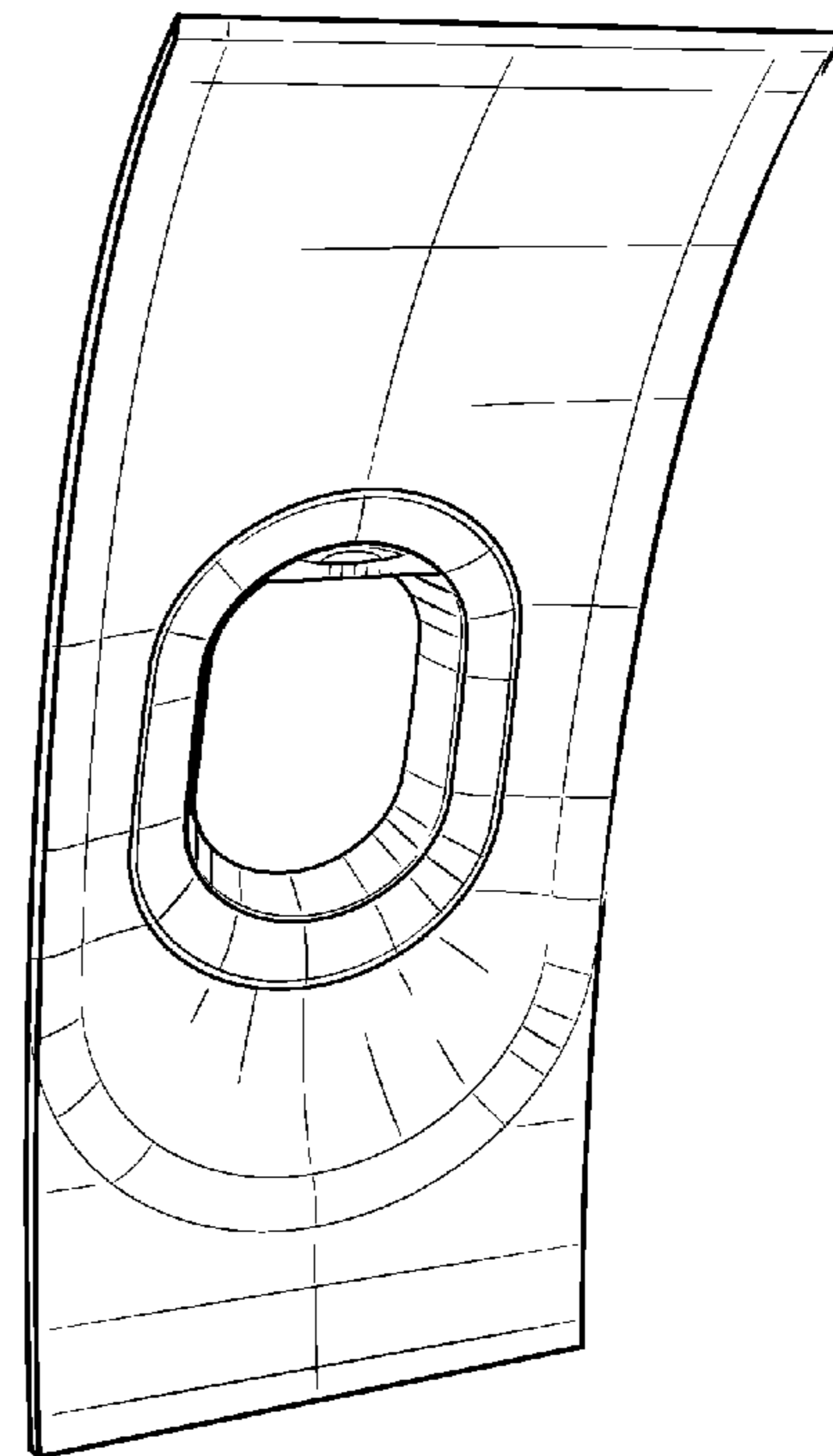
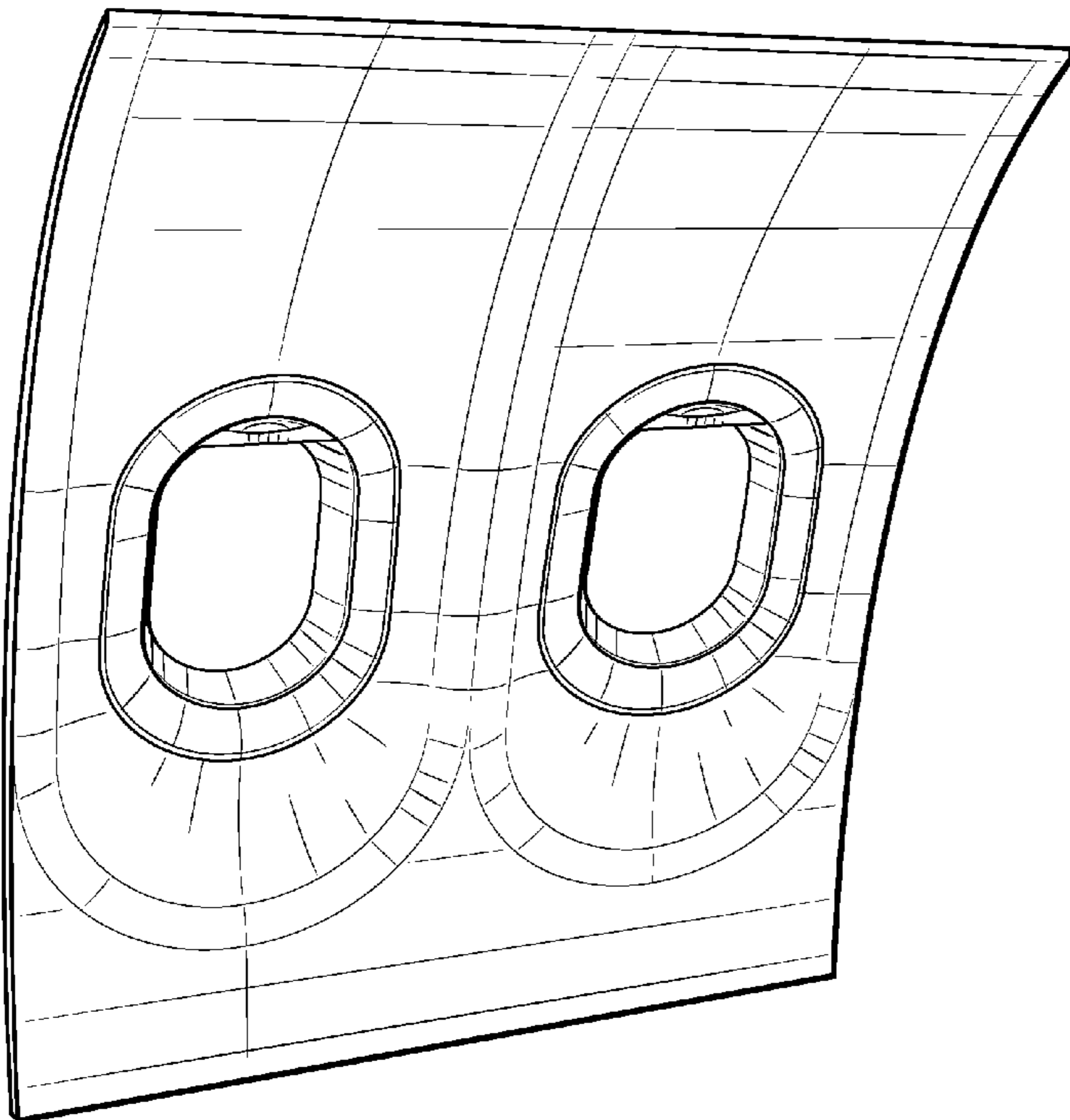
The unshown portion of the side lining panel for an aircraft cabin forms no part of the claimed design.

(56) **References Cited**

U.S. PATENT DOCUMENTS

D463,357 S * 9/2002 Granzeier et al. D12/345
6,547,184 B2 * 4/2003 Nieberle 244/119

1 Claim, 2 Drawing Sheets



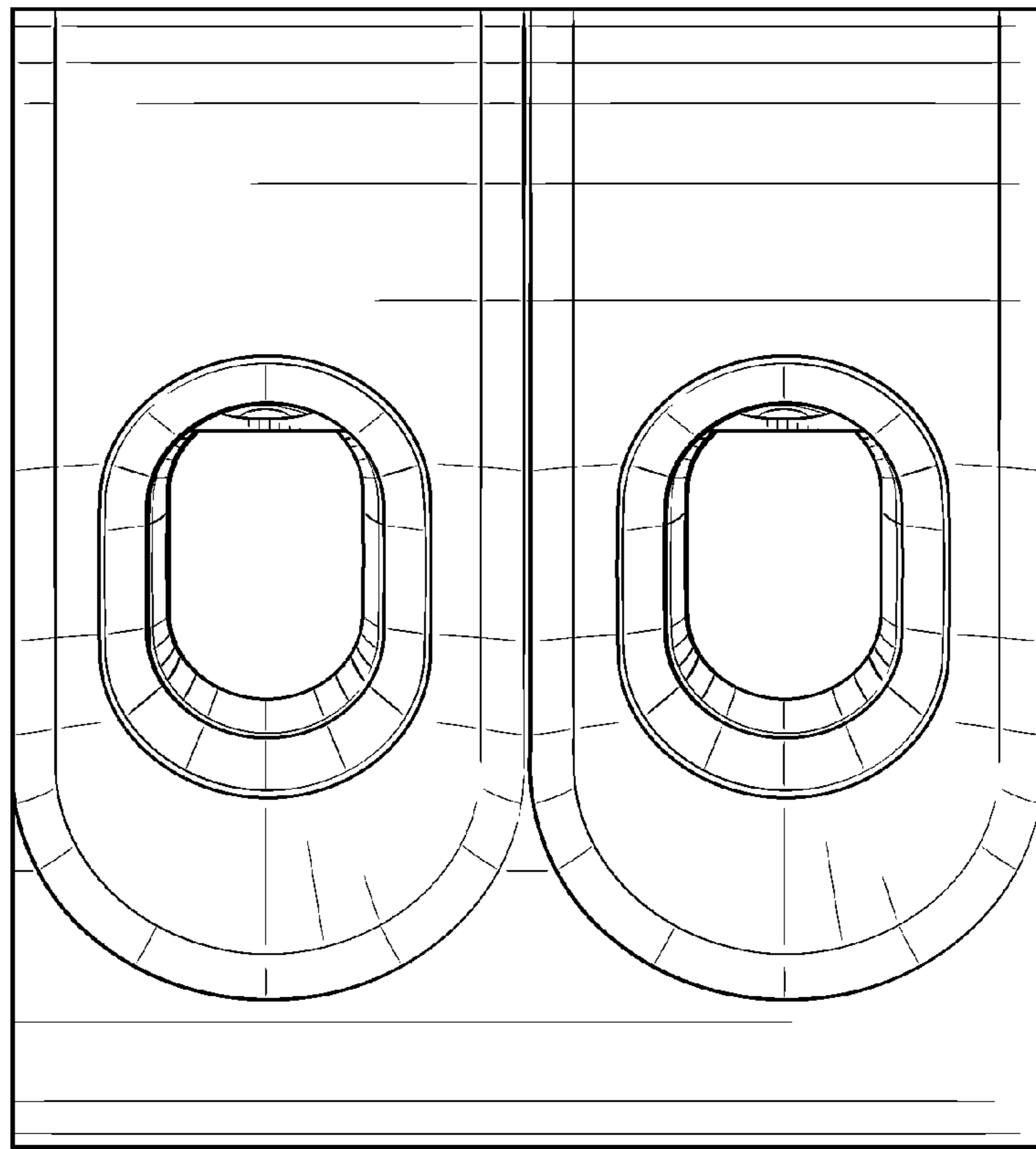


FIG. 1

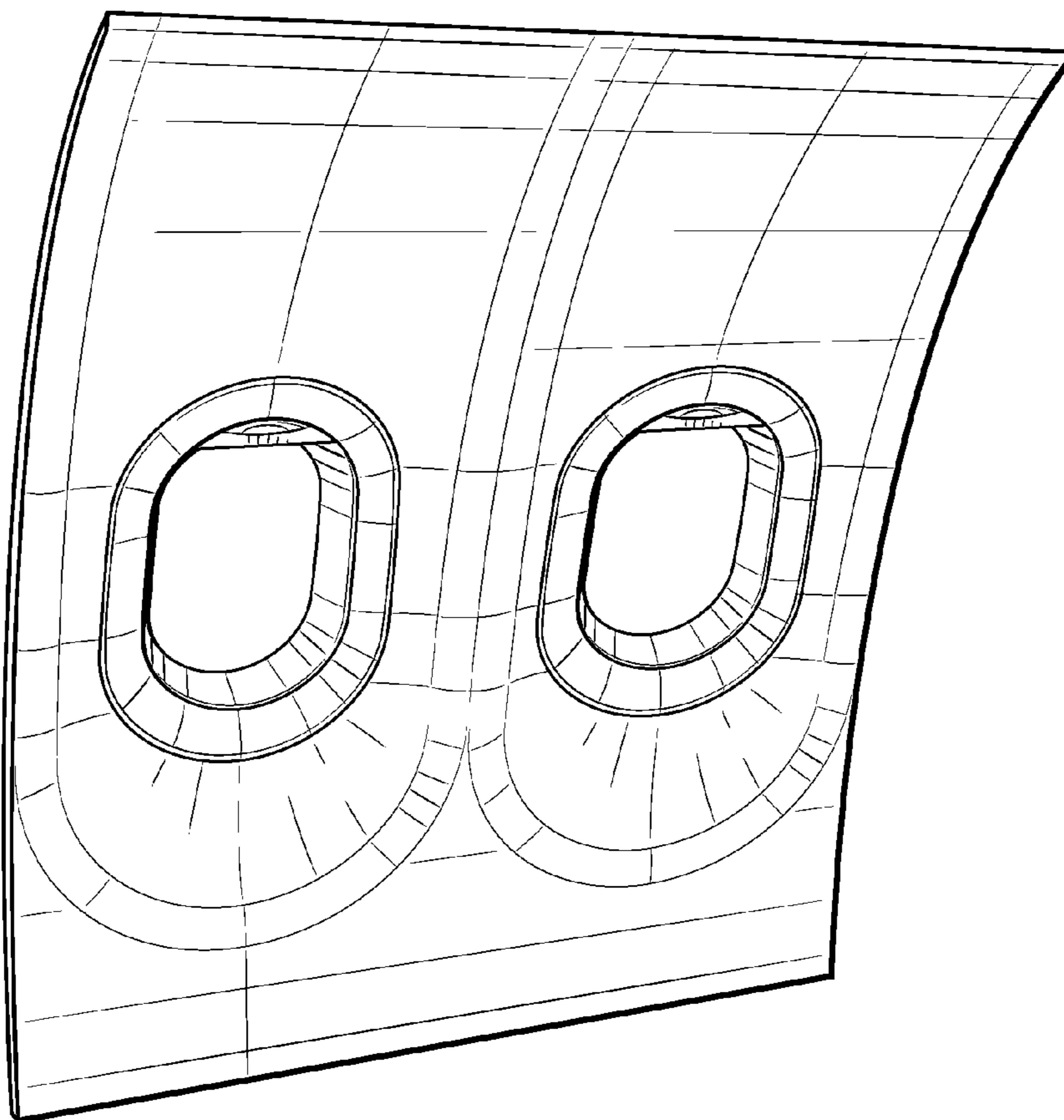


FIG. 2

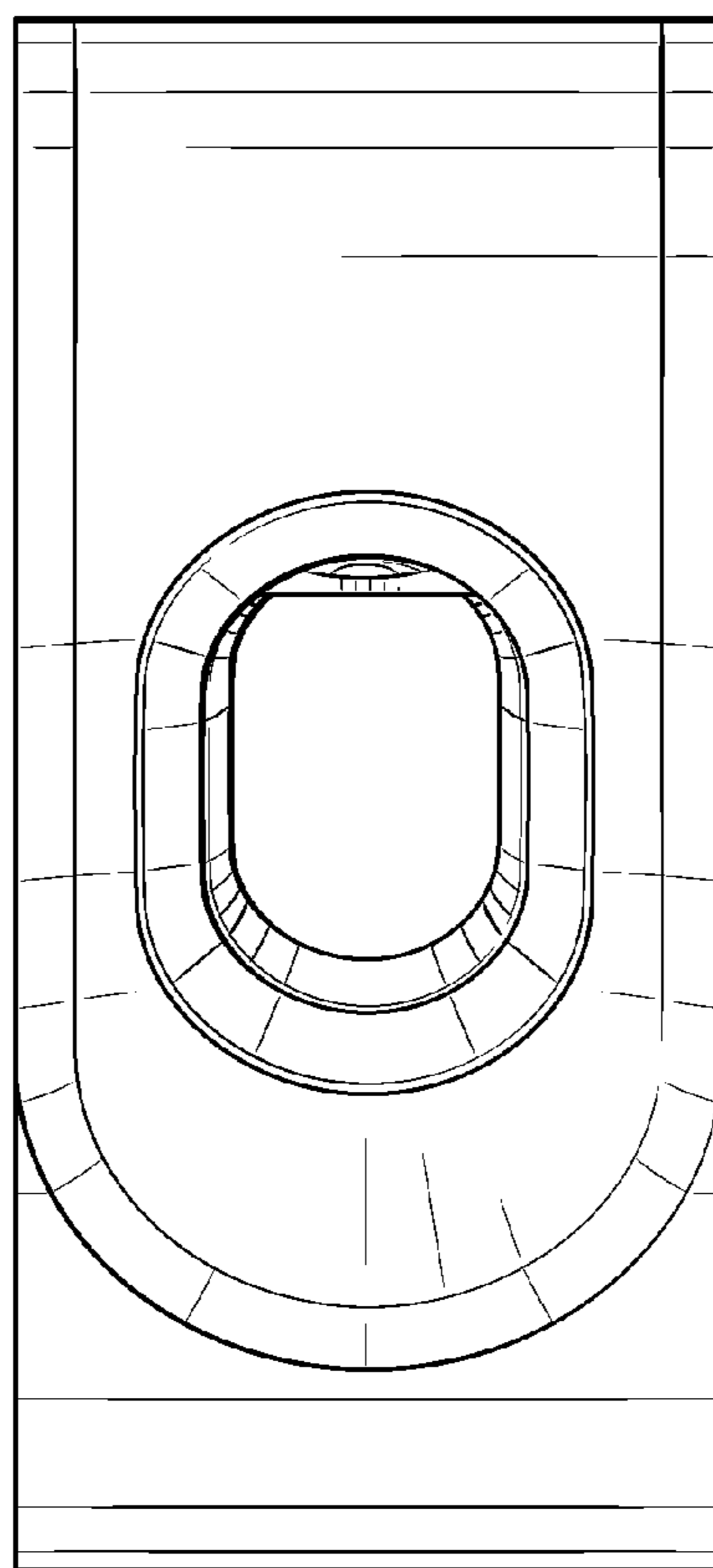


FIG. 3

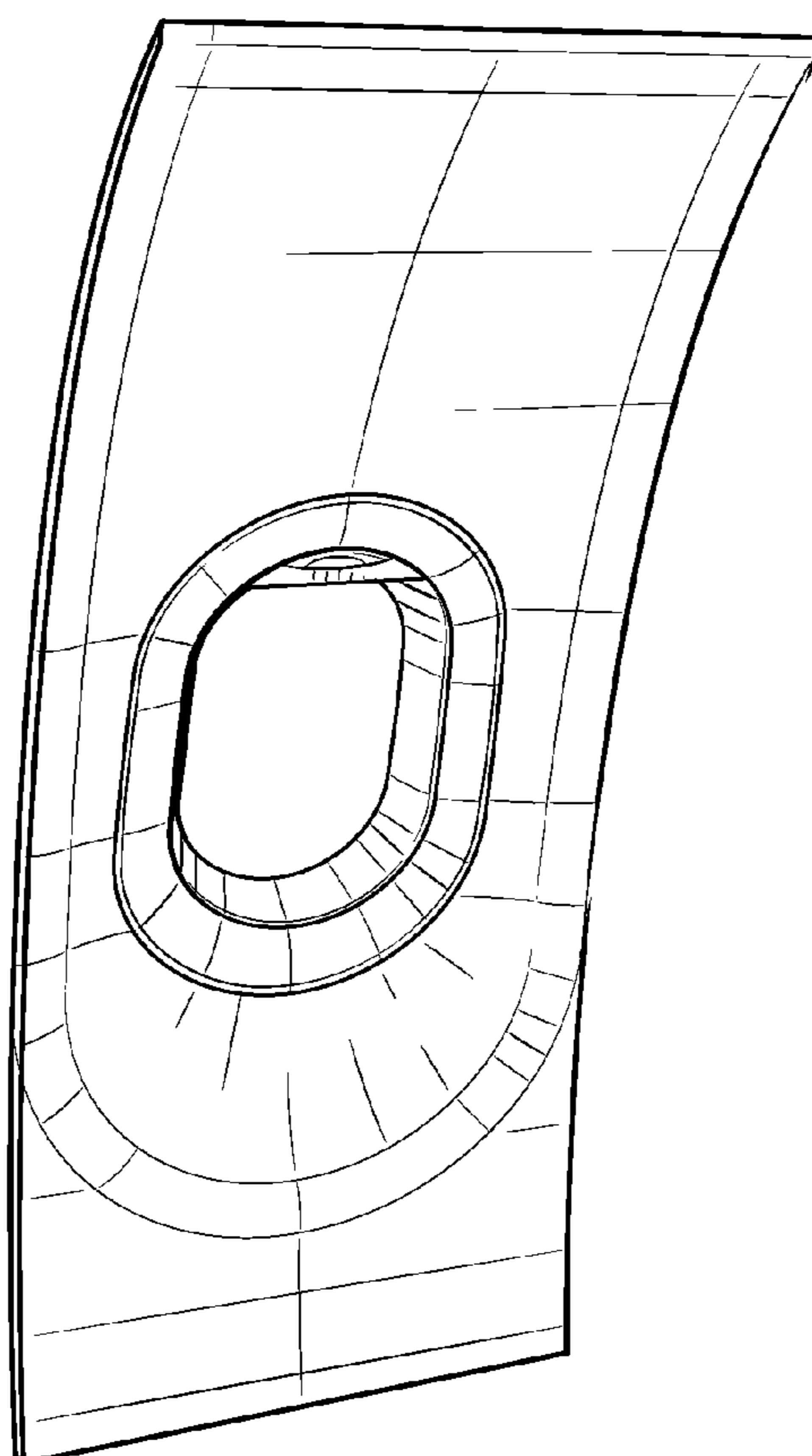


FIG. 4

UNITED STATES PATENT AND TRADEMARK OFFICE
CERTIFICATE OF CORRECTION

PATENT NO. : Des. 592,584 S
APPLICATION NO. : 29/295858
DATED : May 19, 2009
INVENTOR(S) : Florian Schuephaus and Silvan Fiedler

Page 1 of 4

It is certified that error appears in the above-identified patent and that said Letters Patent is hereby corrected as shown below:

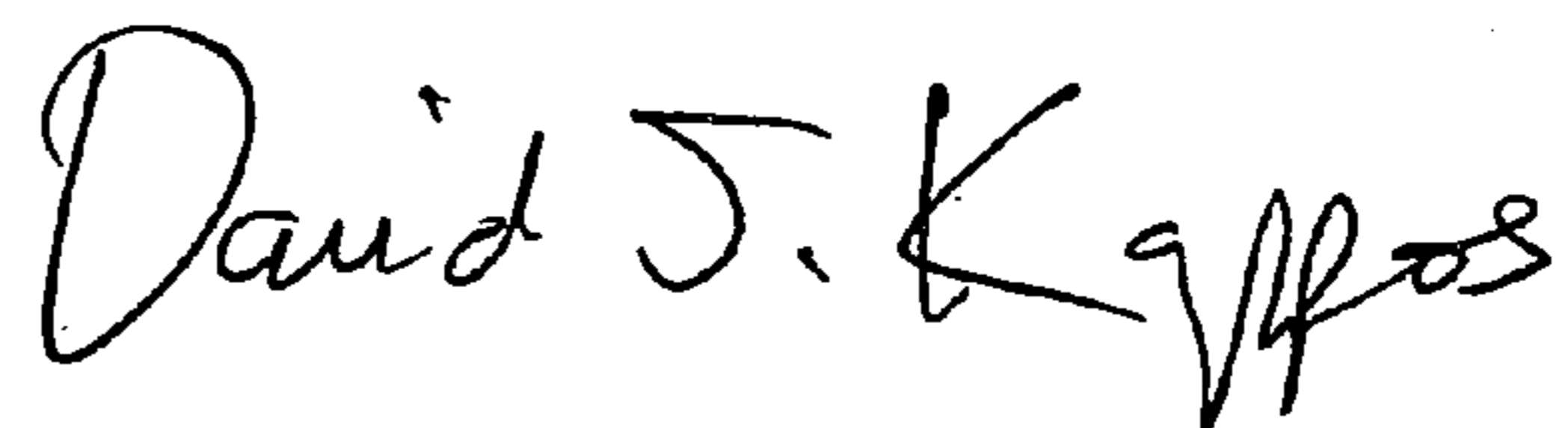
The title page should be deleted and substitute therefore the attached title page.

Drawings:

Delete drawing sheets 1-2 and substitute the drawing sheets 1-2 as shown on the attached page.

Signed and Sealed this

Eleventh Day of August, 2009

A handwritten signature in black ink that reads "David J. Kappos". The signature is written in a cursive, slightly slanted style.

David J. Kappos
Director of the United States Patent and Trademark Office

(12) **United States Design Patent**
Schuephaus et al.

(10) **Patent No.:** **US D592,584 S**
(45) **Date of Patent:** **** May 19, 2009**

(54) **SIDE LINING PANEL FOR AN AIRCRAFT CABIN**

6,786,453 B2 * 9/2004 Jones 244/129.3

(75) **Inventors:** **Florian Schuephaus, Hamburg (DE);
Silvan Fiedler, Ulm (DE)**

* cited by examiner

(73) **Assignee:** **Airbus Deutschland GmbH, Hamburg (DE)**

Primary Examiner—Ian Simmons
Assistant Examiner—Dana L. Sipos
(74) *Attorney, Agent, or Firm*—Wood, Herron & Evans, L.L.P.

(**) **Term:** **14 Years**

(21) **Appl. No.:** **29/295,858**

(22) **Filed:** **Oct. 9, 2007**

(57) **CLAIM**

The ornamental design for the side lining panel for an aircraft cabin, as shown and described.

(30) **Foreign Application Priority Data**

Apr. 18, 2007 (EM) 000709167

DESCRIPTION

(51) **LOC (9) Cl.** **12-07**

FIG. 1 is a front elevation view of a first embodiment of a side lining panel for an aircraft cabin showing our new design.

(52) **U.S. Cl.** **D12/345**

FIG. 2 is a front, left side perspective view thereof.

(58) **Field of Classification Search** D12/317-319, D12/322-324, 326, 343, 345, 400, 195, 183; 114/78, 189; D25/52; 244/117 R, 119, 126, 244/129.1, 129.3; 296/200-201

FIG. 3 is a front elevation view of a second embodiment of a side lining panel for an aircraft cabin showing our design; and,

See application file for complete search history.

FIG. 4 is a front, left side perspective view thereof.

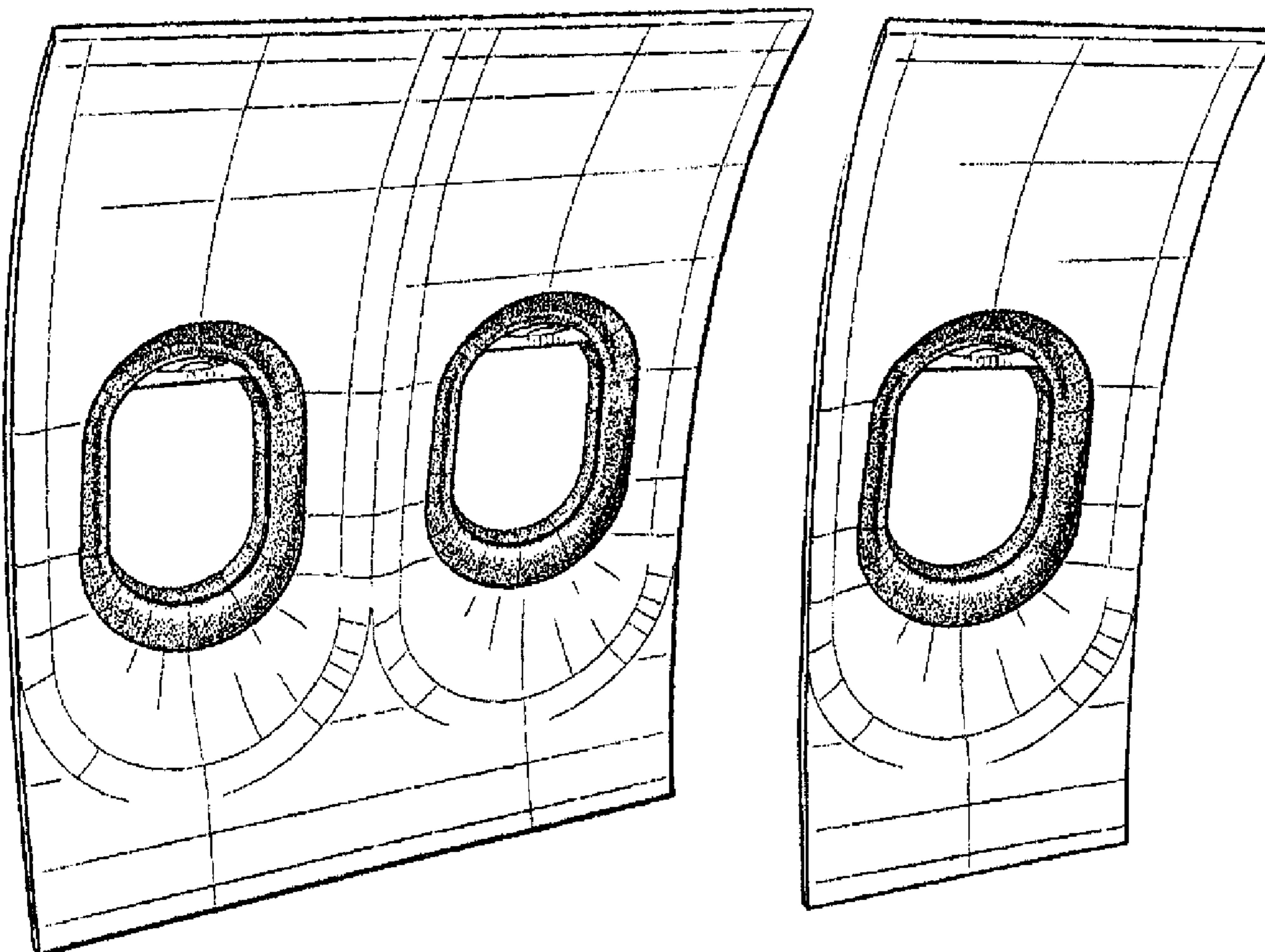
The unshown portion of the side lining panel for an aircraft cabin forms no part of the claimed design.

(56) **References Cited**

U.S. PATENT DOCUMENTS

D463,357 S * 9/2002 Granzeier et al. D12/345
6,547,184 B2 * 4/2003 Nieberle 244/119

1 Claim, 2 Drawing Sheets



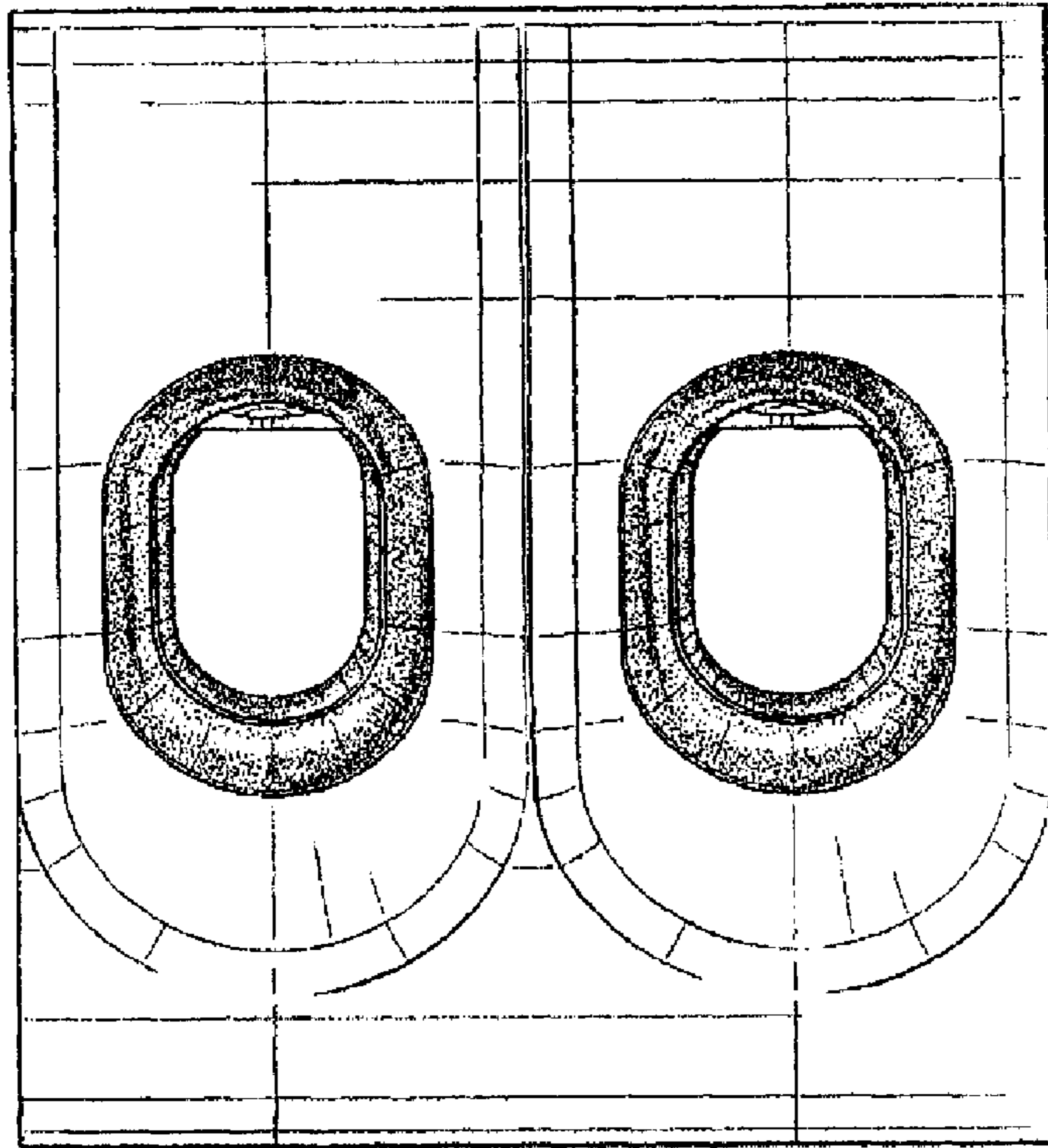


FIG. 1

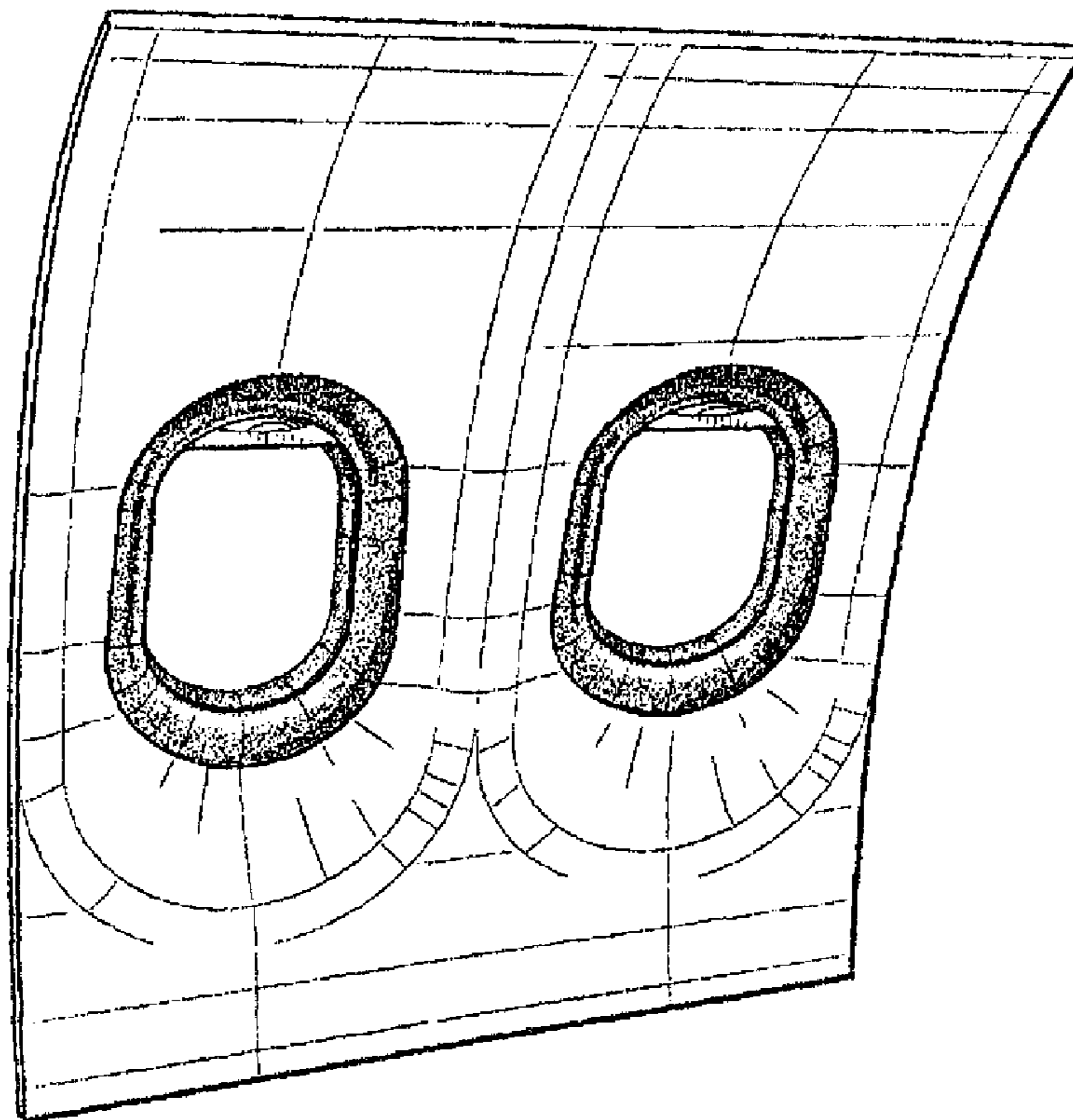


FIG. 2

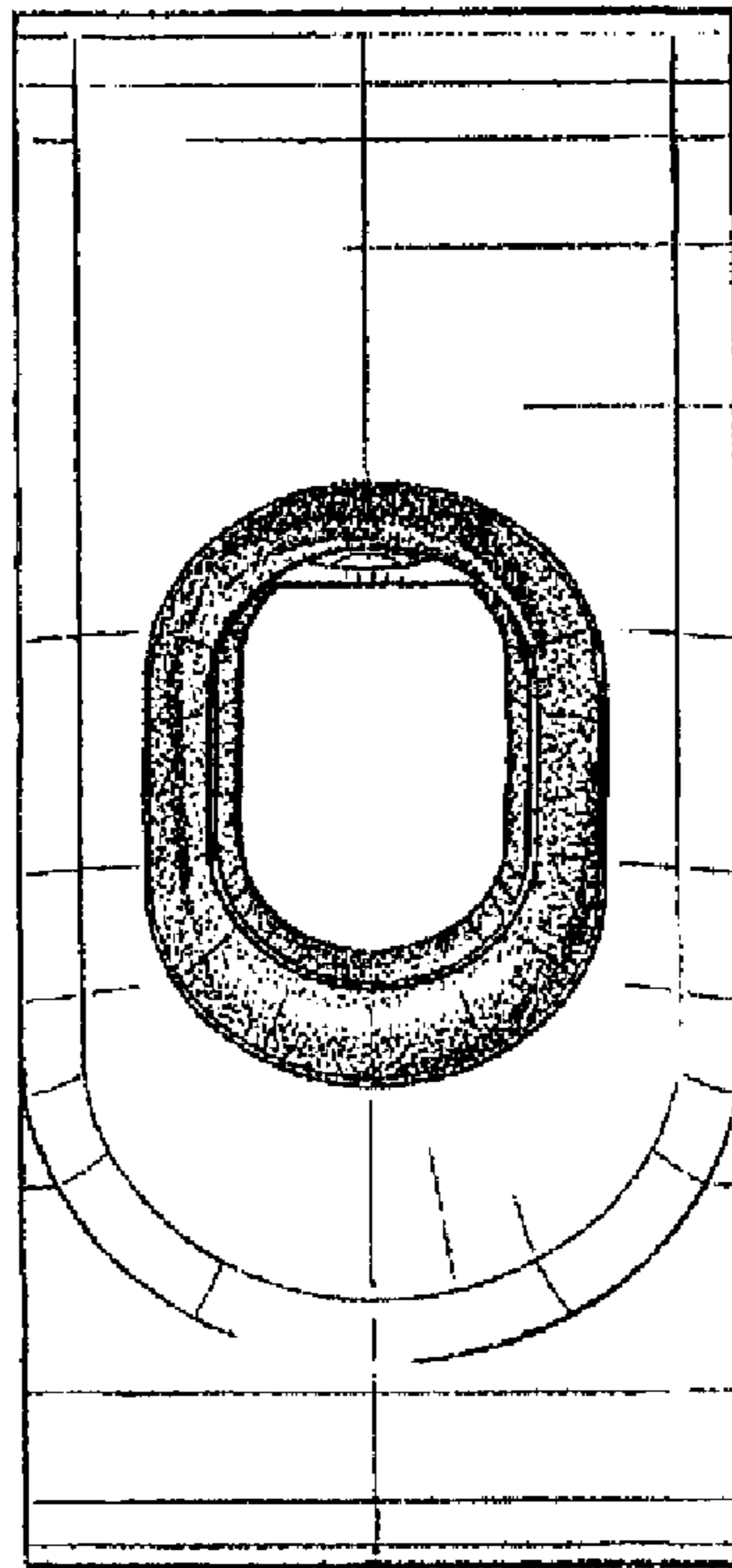


FIG. 3

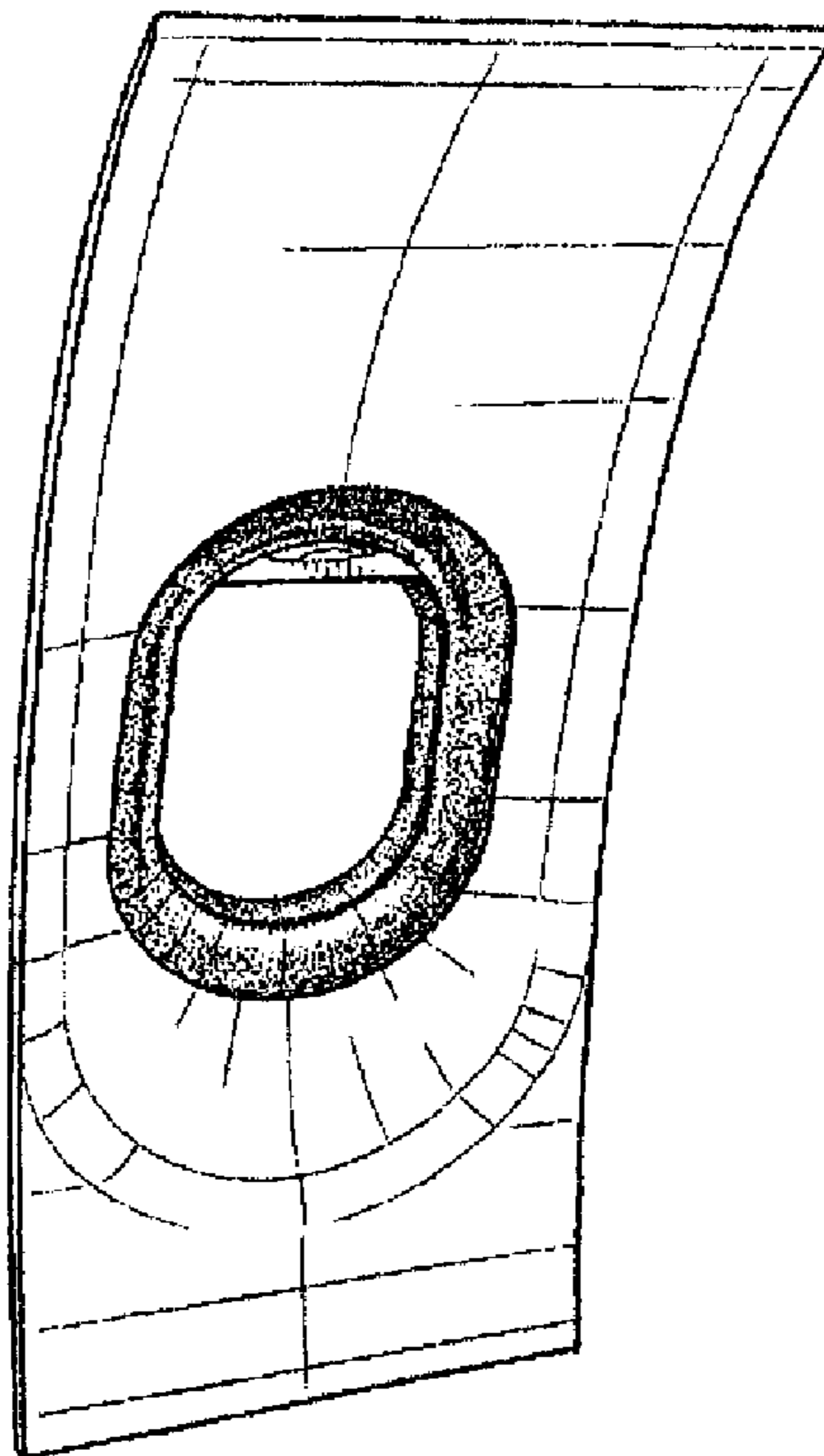


FIG. 4