



US00D592583S

(12) **United States Design Patent**  
**Brody et al.**

(10) **Patent No.:** **US D592,583 S**

(45) **Date of Patent:** **\*\* May 19, 2009**

(54) **AIRCRAFT**

D467,861 S \* 12/2002 Lee ..... D12/326

(75) Inventors: **David E. Brody**, Greenwood Village, CO (US); **Troy M. Gaffey**, Granbury, TX (US); **Frank M. Rixen**, Hurst, TX (US); **Richard F. Murray**, Pantego, TX (US)

\* cited by examiner

*Primary Examiner*—Lisa P Lichtenstein  
(74) *Attorney, Agent, or Firm*—Hill Law Firm

(73) Assignee: **AVX Corporation**, Fort Worth, TX (US)

(57) **CLAIM**

(\*\*) Term: **14 Years**

The ornamental design for an aircraft, as shown and described.

(21) Appl. No.: **29/301,664**

**DESCRIPTION**

(22) Filed: **Mar. 12, 2008**

(51) **LOC (9) Cl.** ..... **12-12**

(52) **U.S. Cl.** ..... **D12/326**

(58) **Field of Classification Search** ..... D12/326,  
D12/327, 319, 328, 329; 224/17.19, 17.21,  
224/17.15; D21/301

See application file for complete search history.

FIG. 1 is a perspective view of the aircraft in accordance with the present invention;

FIG. 2 is a left side view of the aircraft of FIG. 1;

FIG. 3 is a right side view of the aircraft of FIG. 1;

FIG. 4 is a reduced front view of the aircraft of FIG. 1;

FIG. 5 is a rear view of the aircraft of FIG. 1;

FIG. 6 is a top view of the aircraft of FIG. 1; and,

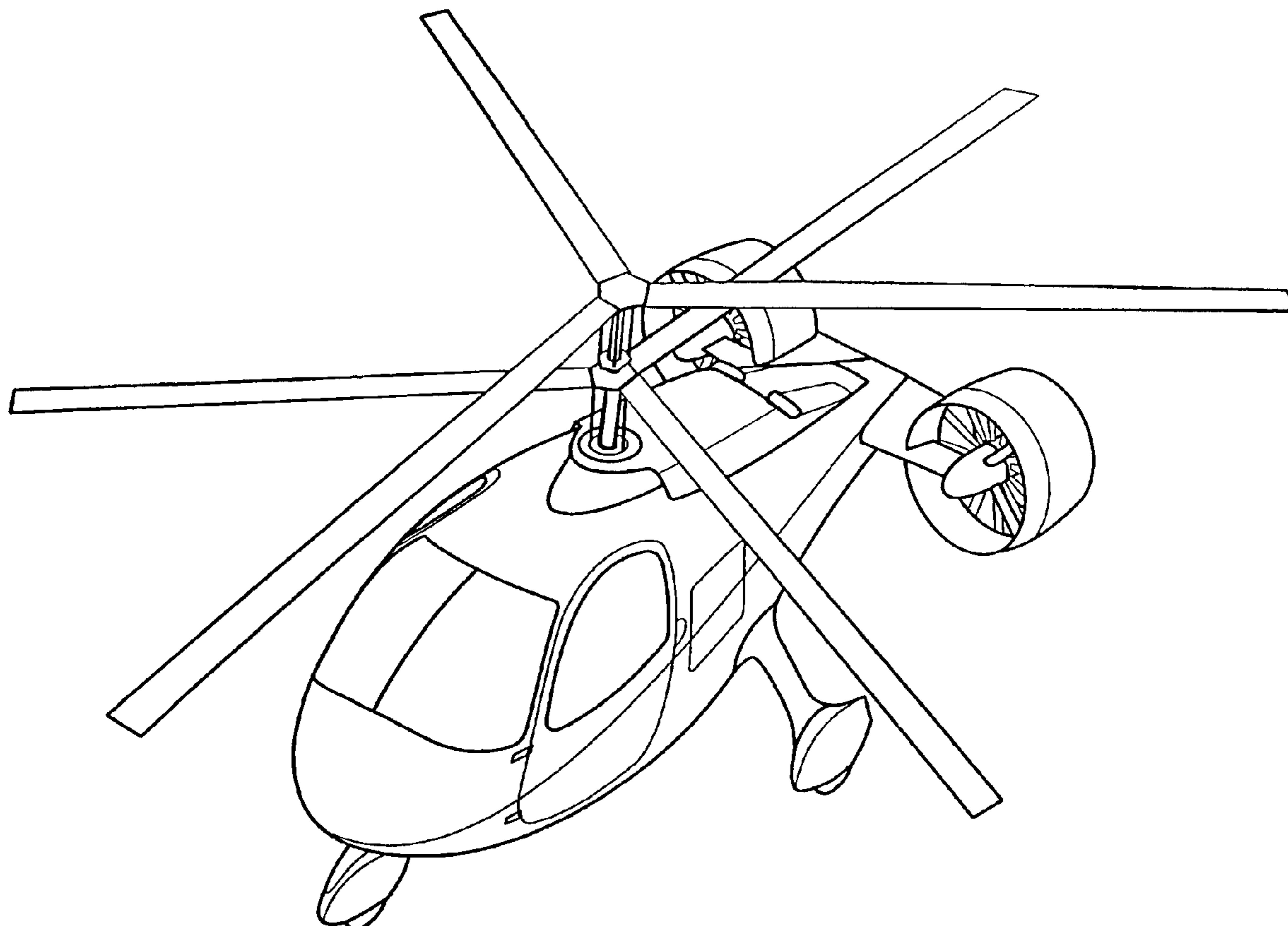
FIG. 7 is a bottom view of the aircraft of FIG. 1.

(56) **References Cited**

**U.S. PATENT DOCUMENTS**

D406,810 S \* 3/1999 Lai ..... D12/327

**1 Claim, 7 Drawing Sheets**



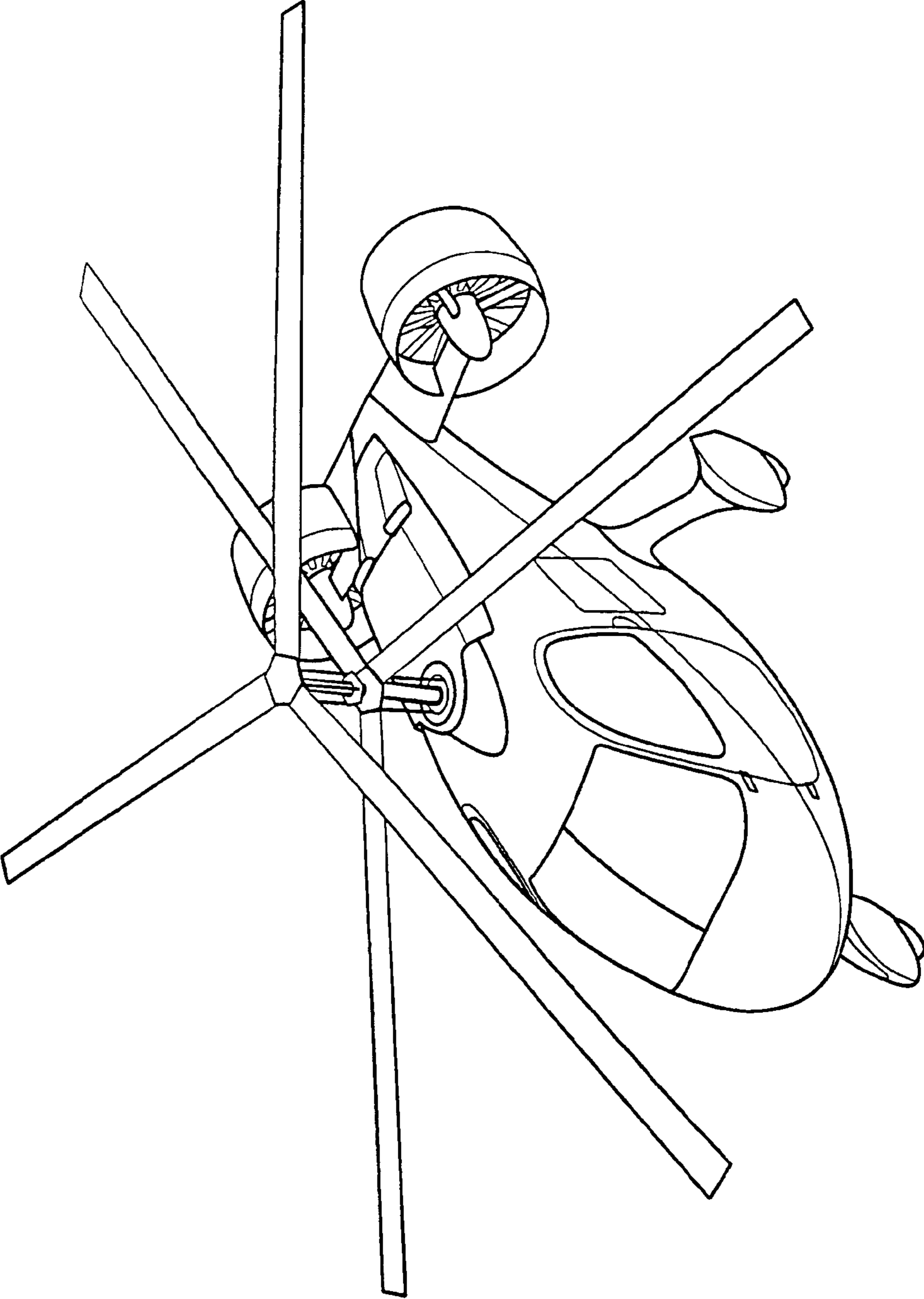


Fig 1

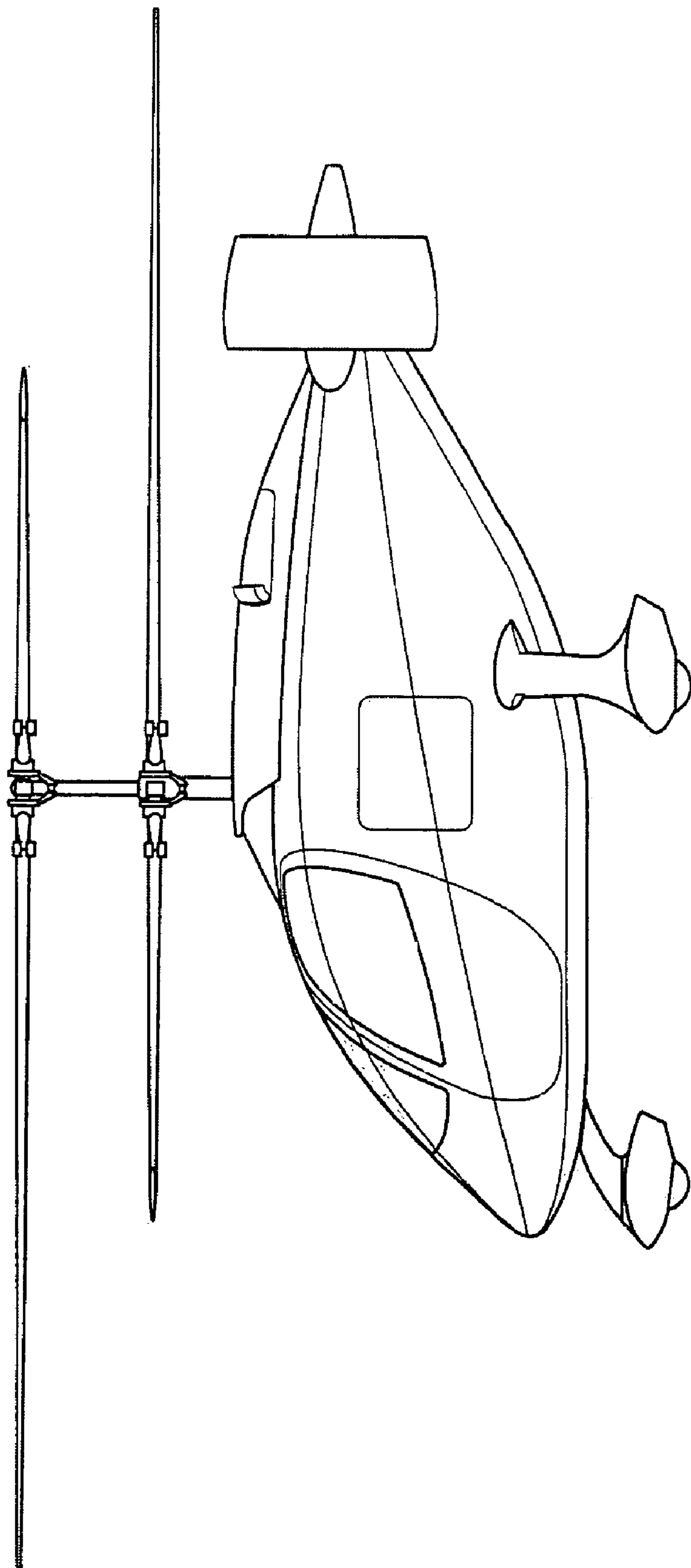


Fig 2

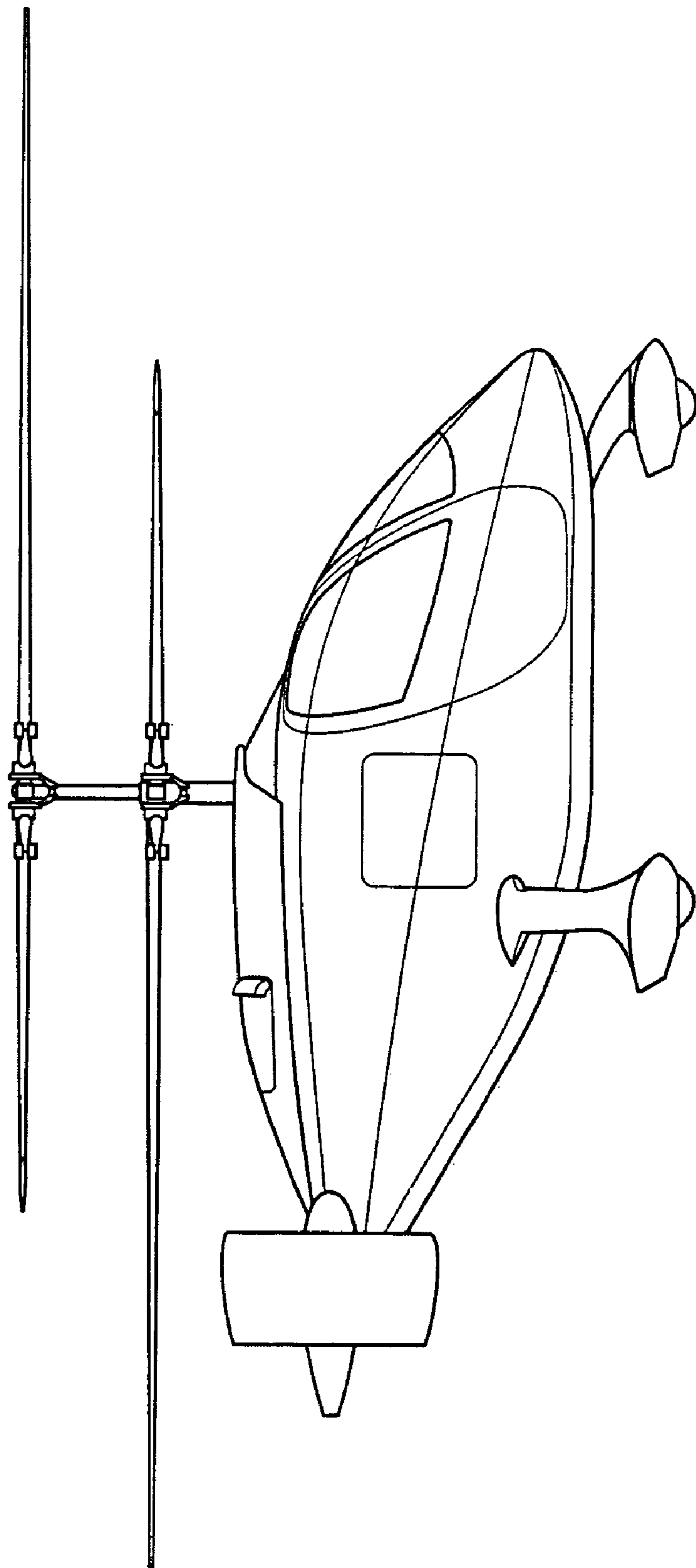


Fig 3

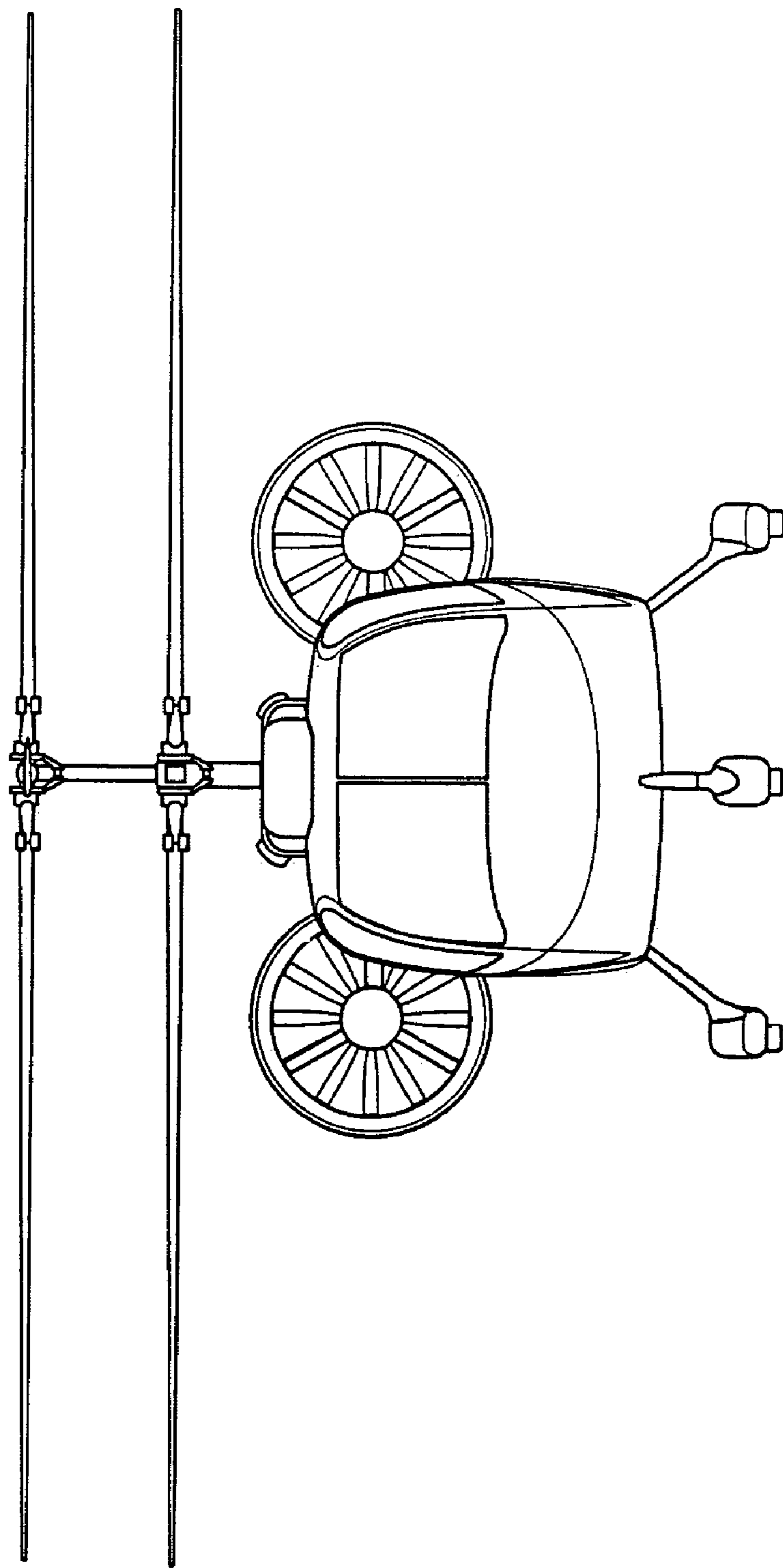


Fig 4

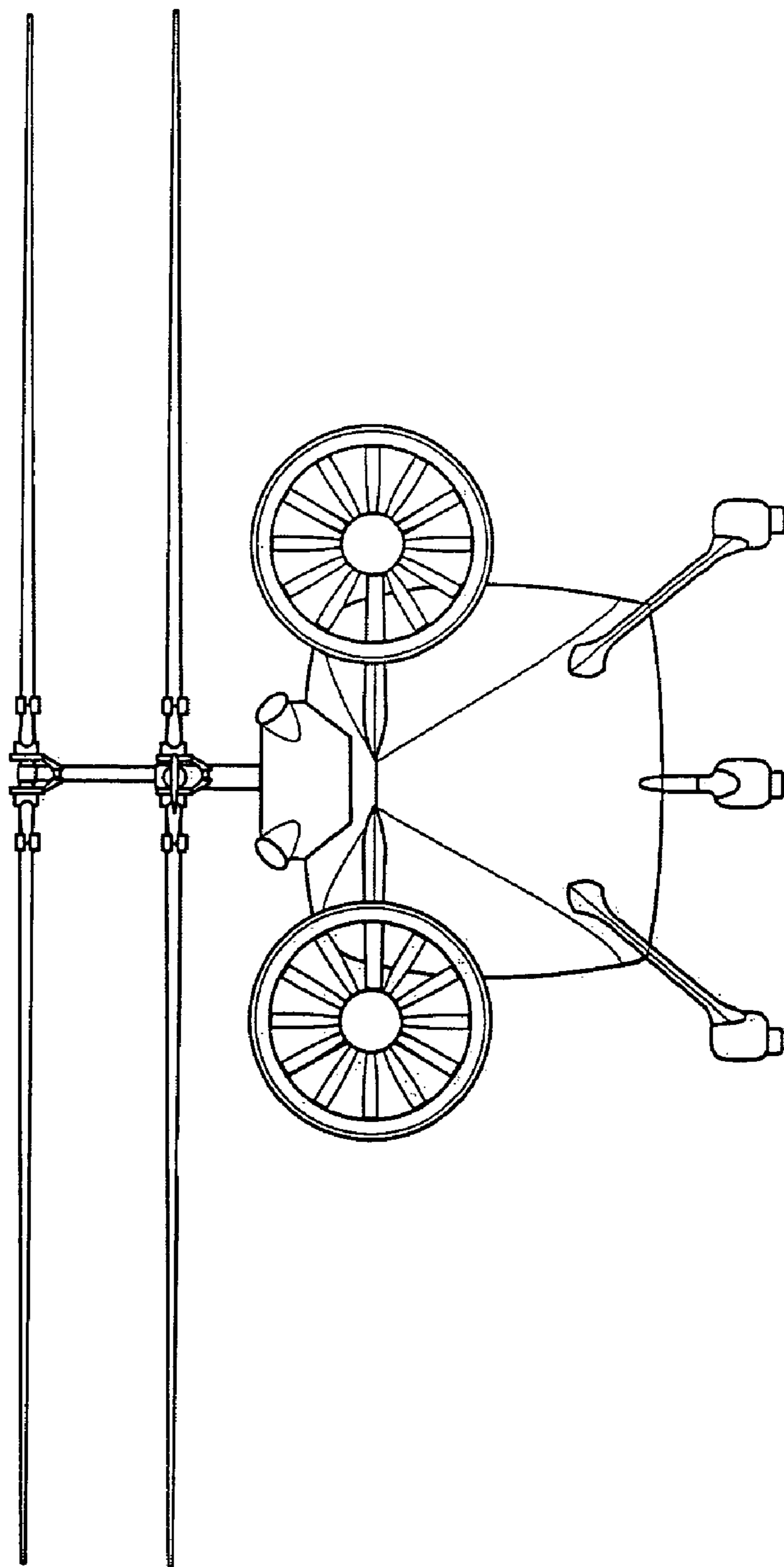


Fig 5

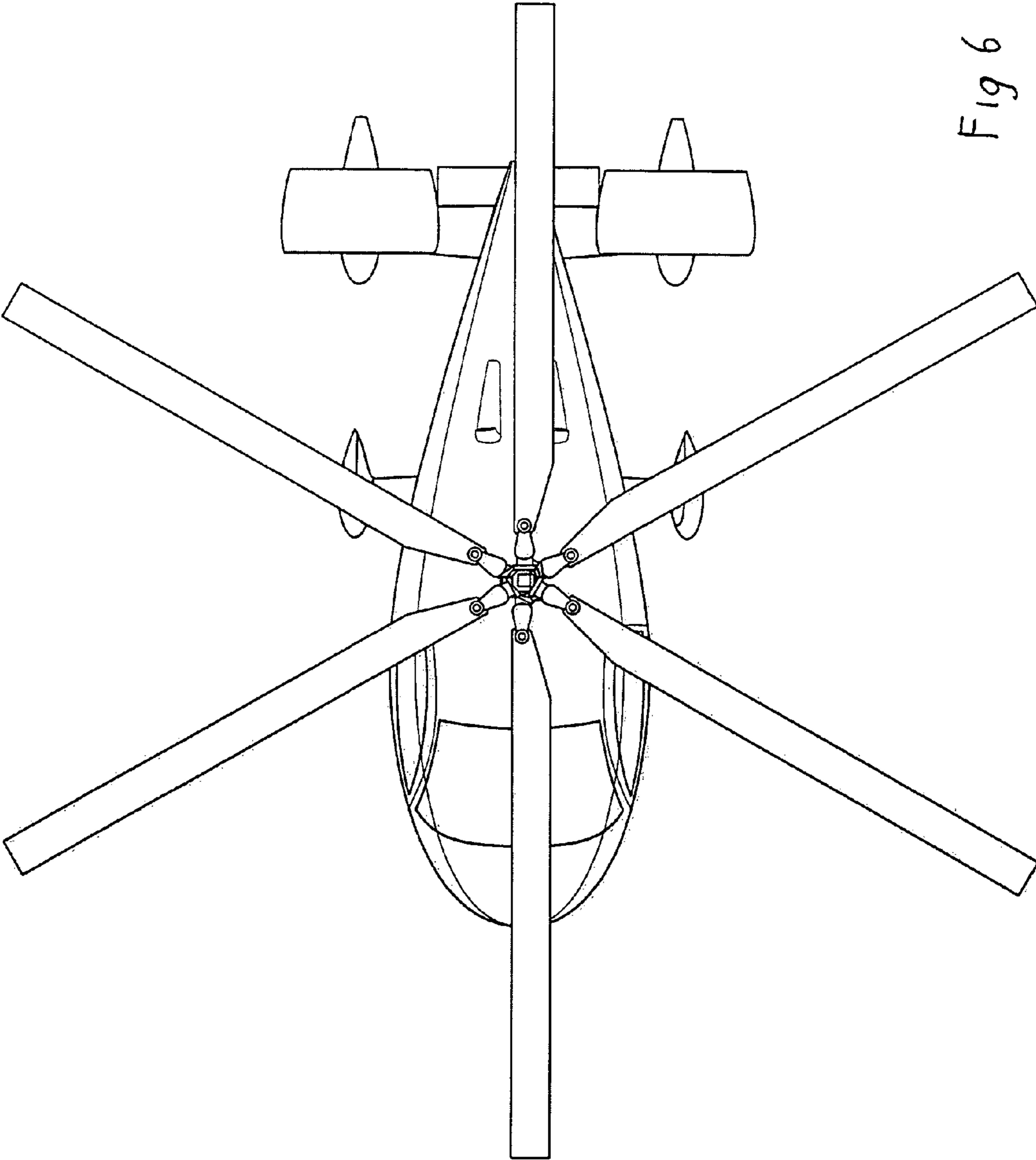


Fig 6

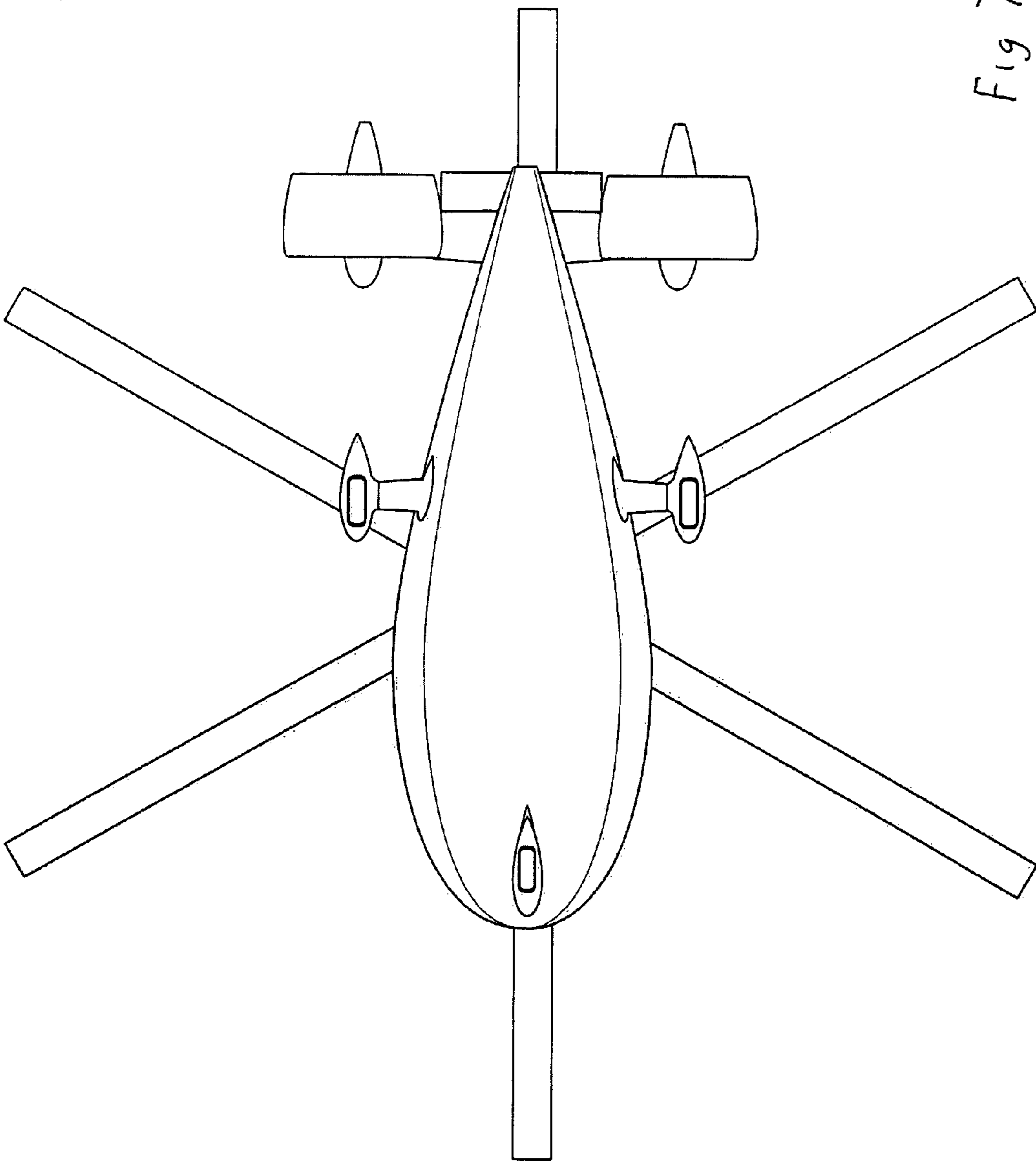


Fig 7