

US00D592581S

(12) **United States Design Patent**
Kim

(10) **Patent No.:** **US D592,581 S**

(45) **Date of Patent:** **** May 19, 2009**

(54) **WINDSHIELD WIPER BLADE**

(76) Inventor: **In-Kyu Kim**, Sunkyung A.P. T. 15-1505,
Seongpo-dong, Sangrok-gu, Ansan-si,
Gyeonggi-do (KR)

(**) Term: **14 Years**

(21) Appl. No.: **29/324,270**

(22) Filed: **Sep. 9, 2008**

(30) **Foreign Application Priority Data**

May 7, 2008 (KR) 30-2008-0019129

(51) **LOC (9) Cl.** **12-06**

(52) **U.S. Cl.** **D12/219**

(58) **Field of Classification Search** D12/219-220;
15/246, 247, 250.001, 250.04, 250.361, 250.19,
15/250.48, 250.03, 250.31-250.33, 250.351,
15/250.38, 250.201, 250.451, 250.458, 250.07,
15/250.44

See application file for complete search history.

(56) **References Cited**

U.S. PATENT DOCUMENTS

D370,654 S * 6/1996 Kim D12/219
5,617,607 A * 4/1997 Chen 15/250.201
5,628,084 A * 5/1997 Chen 15/250.19
D490,763 S * 6/2004 Kim D12/219
7,150,795 B2 * 12/2006 Javaruski et al. 134/6
D565,494 S 4/2008 Kim
2002/0050017 A1 * 5/2002 Huang 15/250.41

FOREIGN PATENT DOCUMENTS

CA 119152 1/2007
CA 119153 1/2007
CA 119156 1/2007

KR 2020060032419 10/2006
KR 2020070003864 3/2007
KR 3020070049552 11/2007
KR 3020070049553 11/2007
KR 3020080006130 2/2008
KR 3020080006131 2/2008
KR 3020080014215 4/2008
KR 3020080019126 4/2008
KR 3020080019129 4/2008
KR 3020080022520 5/2008

* cited by examiner

Primary Examiner—Caron Veynar

Assistant Examiner—Katrina A Kile

(74) *Attorney, Agent, or Firm*—Amster, Rothstein &
Ebenstein LLP

(57) **CLAIM**

The ornamental design for a windshield wiper blade, as shown and described.

DESCRIPTION

FIG. 1 is a perspective view of a windshield wiper blade showing my new design;

FIG. 2 is a front view thereof;

FIG. 3 is a rear view thereof;

FIG. 4 is an enlarged left side view thereof;

FIG. 5 is an enlarged right side view thereof;

FIG. 6 is a top plan view thereof;

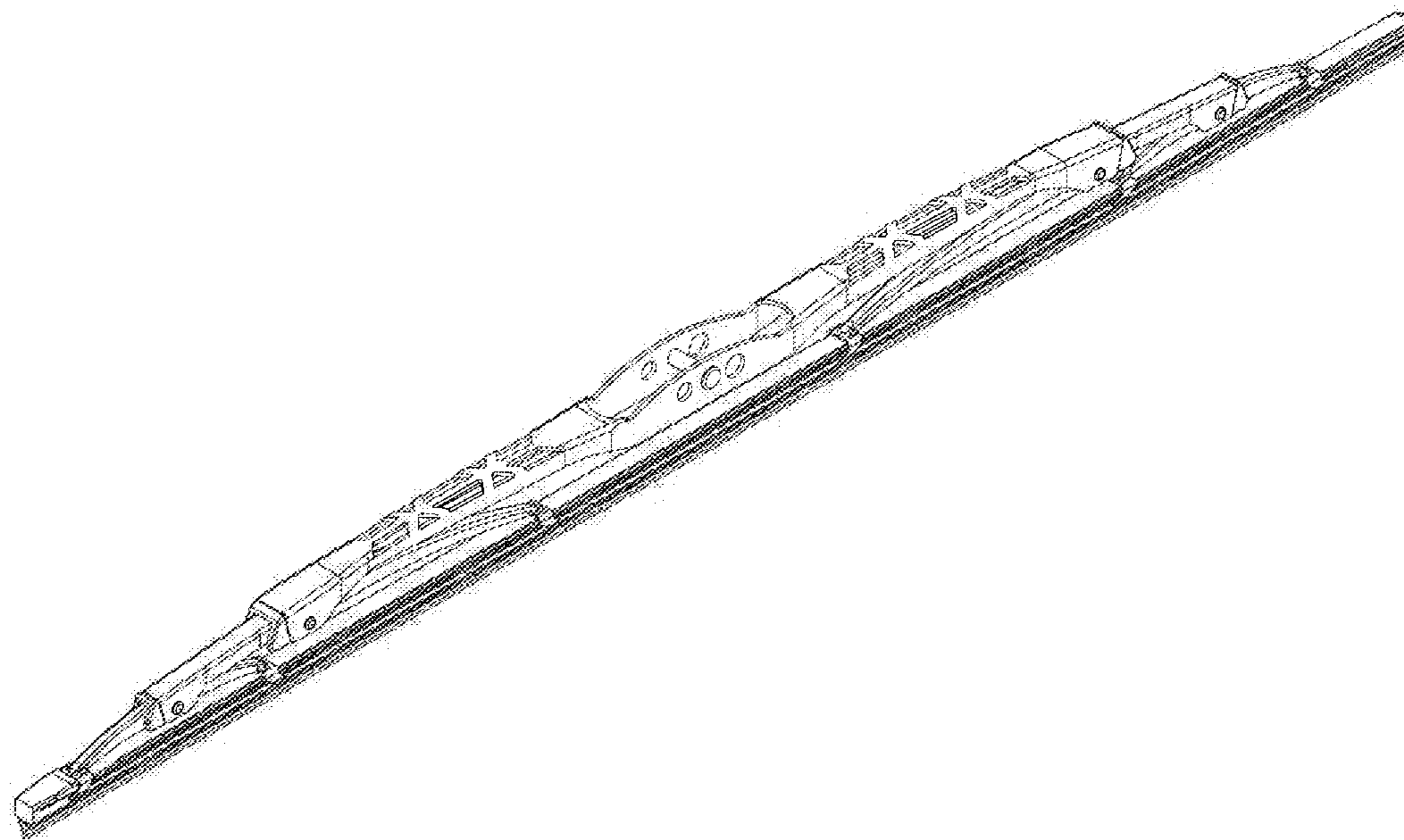
FIG. 7 is a bottom plan view thereof;

FIG. 8 is a perspective view thereof;

FIG. 9 is a perspective view thereof; and,

FIG. 10 is a perspective view thereof.

1 Claim, 7 Drawing Sheets



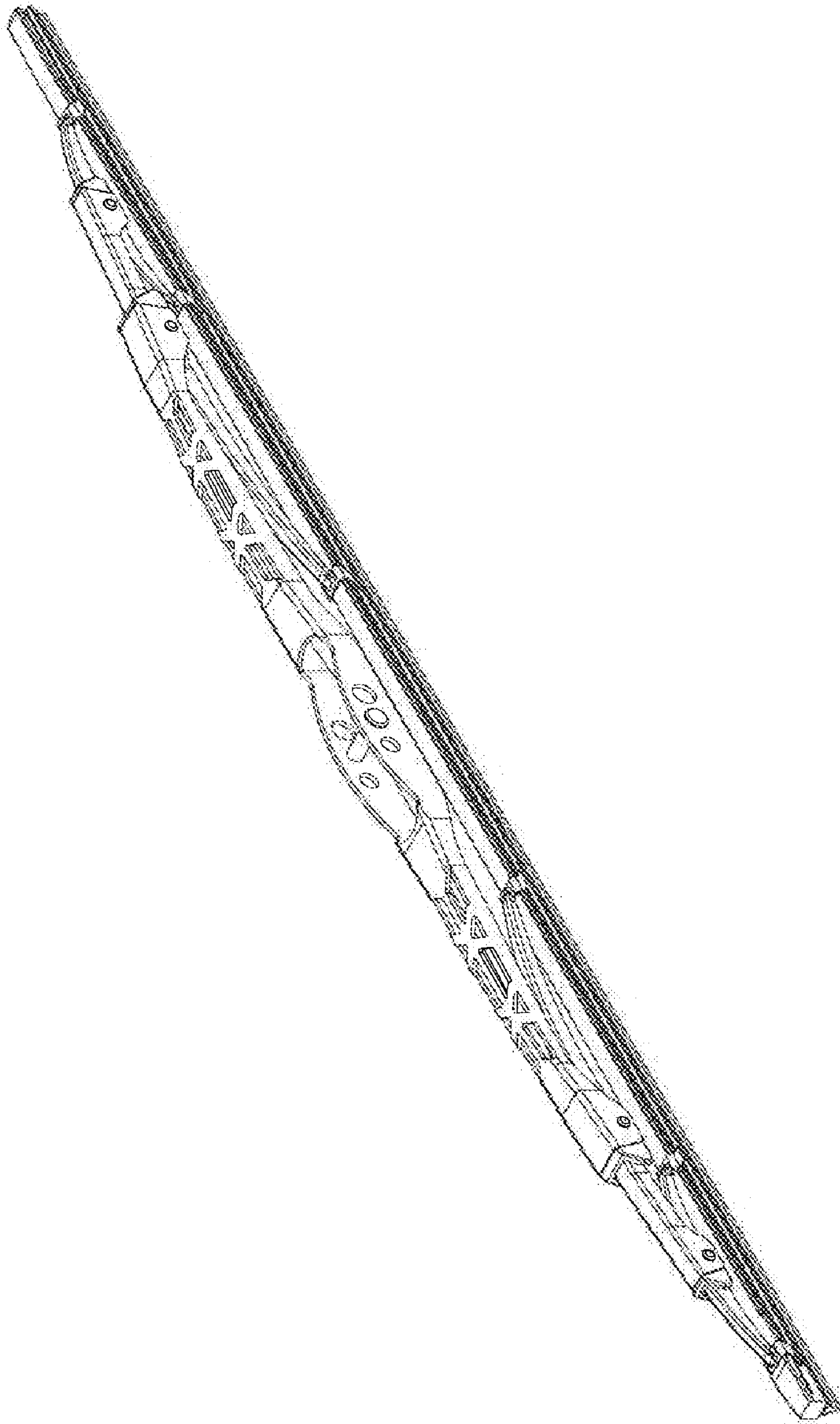


FIG. 1

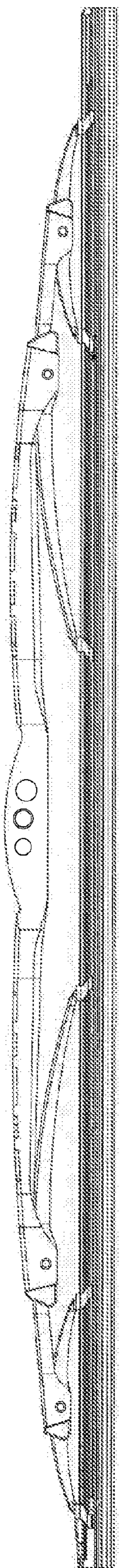


FIG. 2

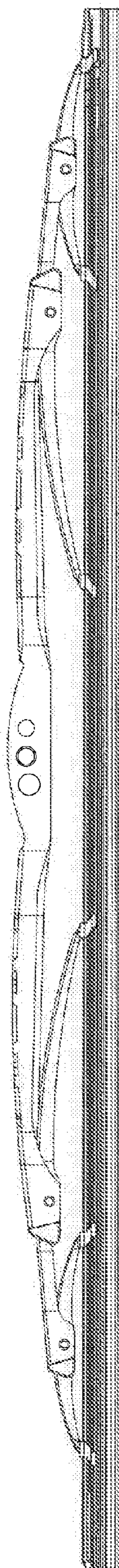


FIG. 3

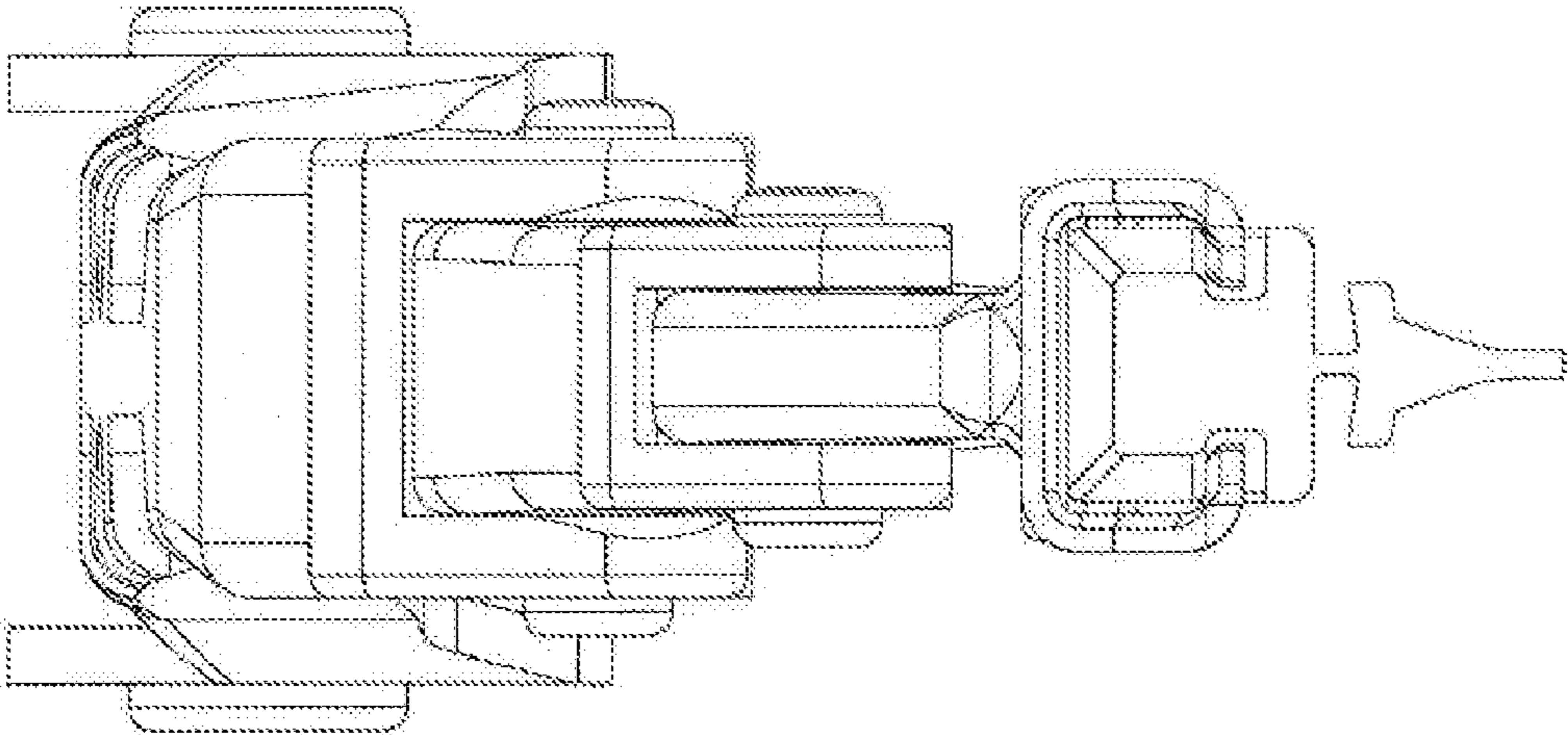


FIG. 4

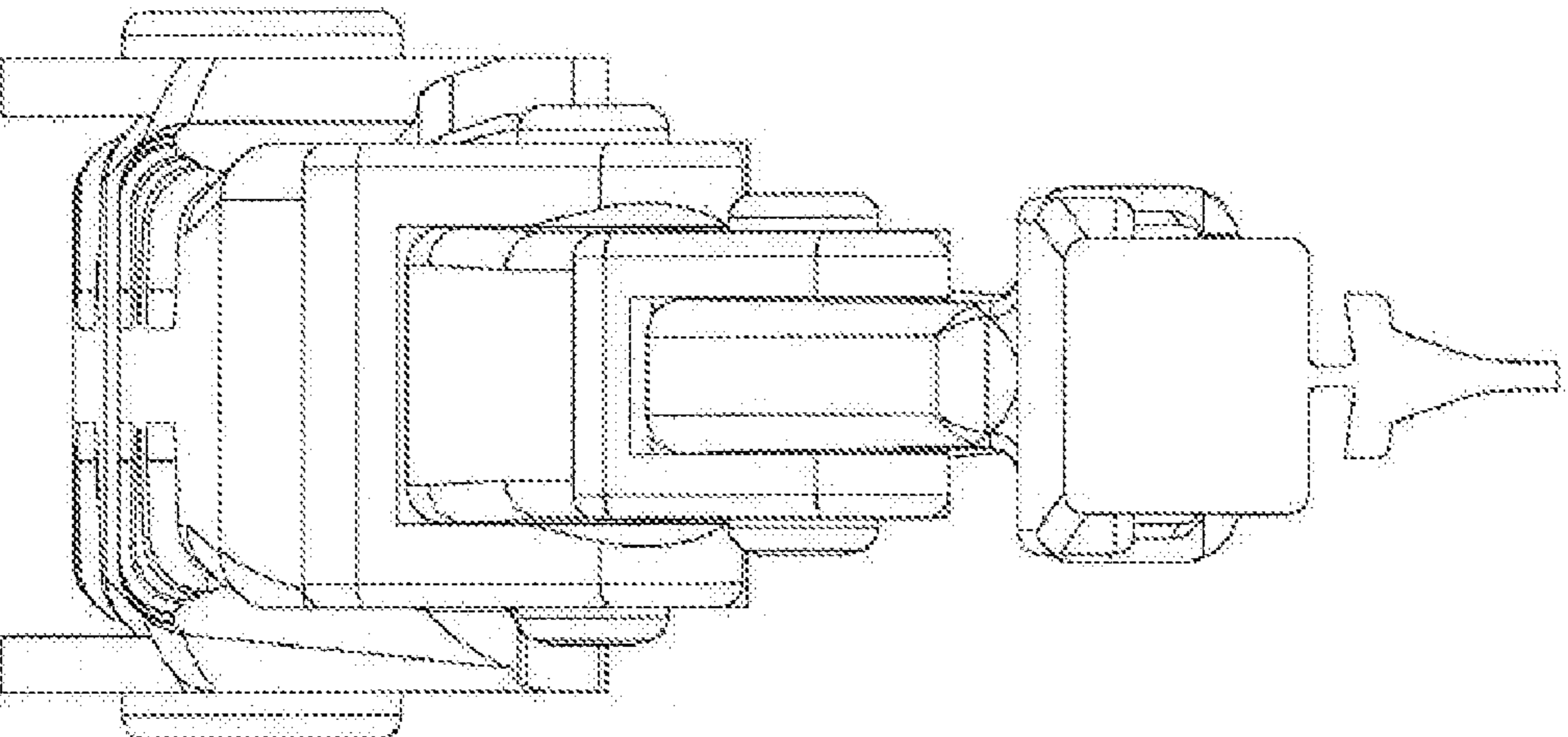


FIG. 5

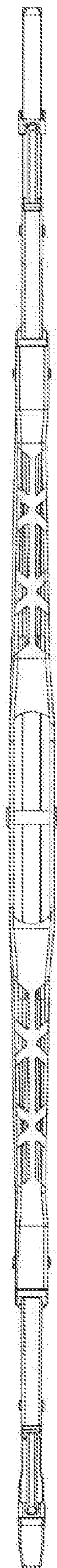


FIG. 6

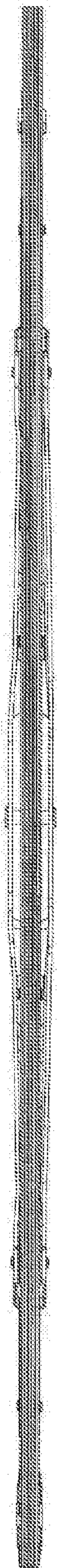


FIG. 7

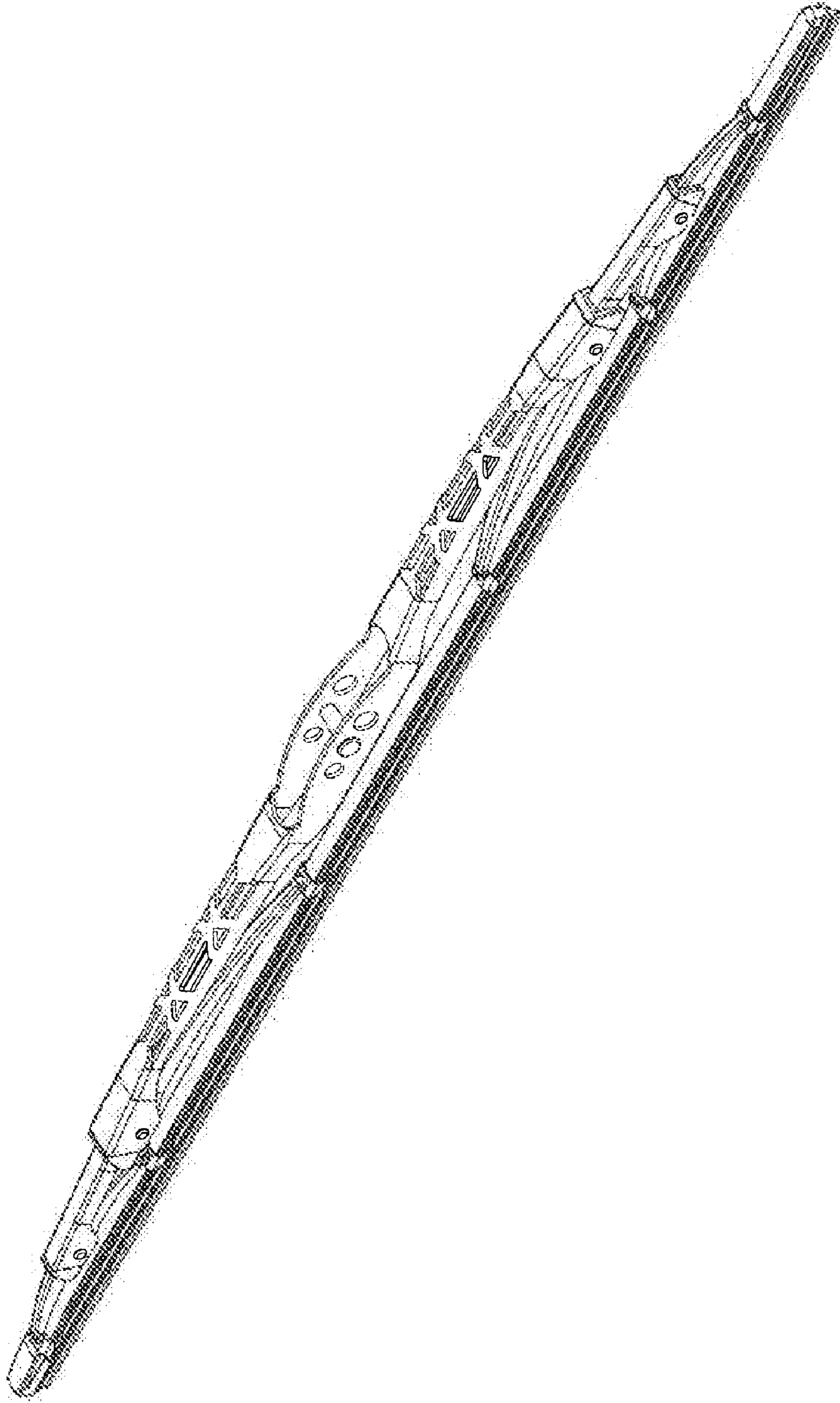


FIG. 8

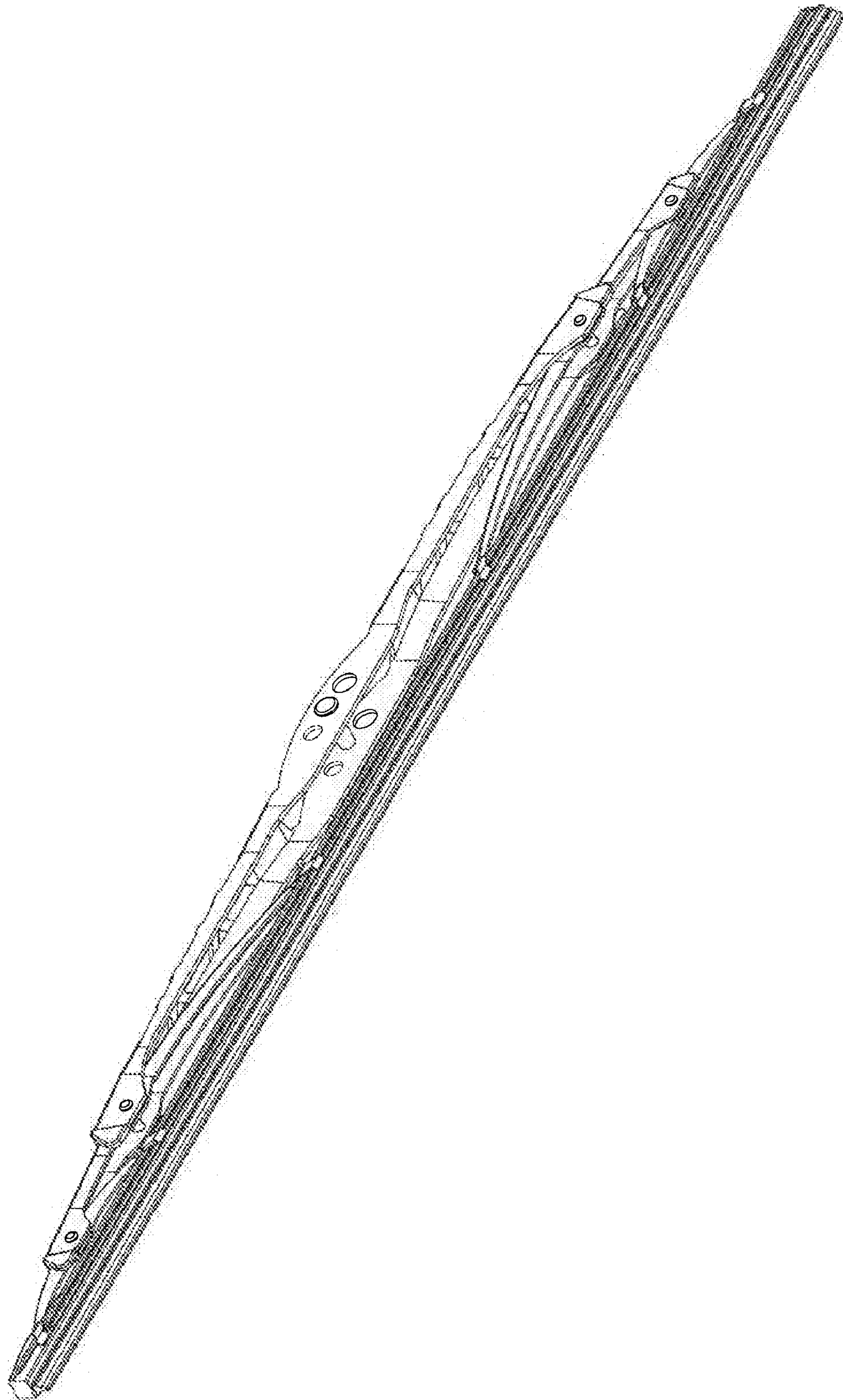


FIG. 9

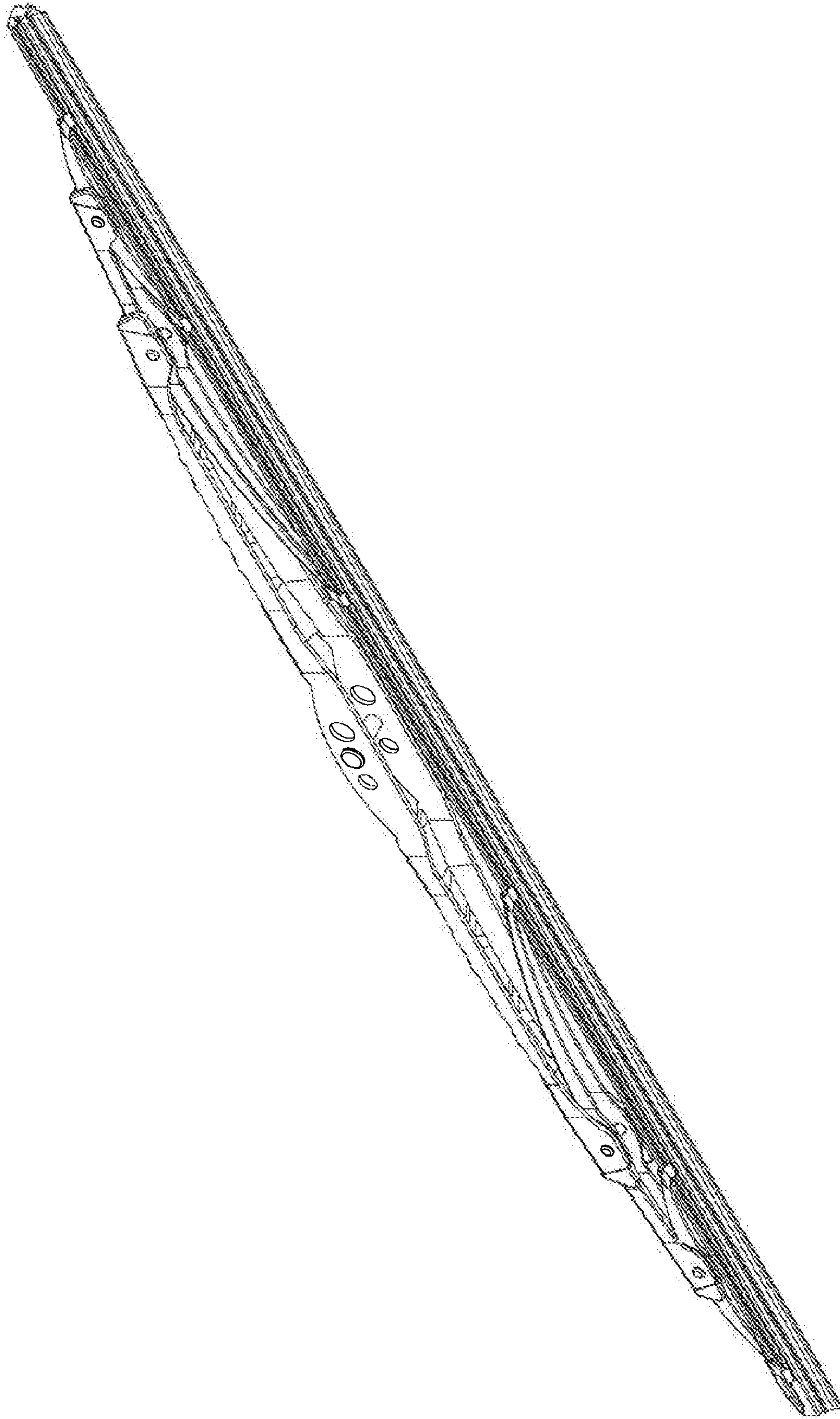


FIG. 10