



US00D592580S

(12) **United States Design Patent**
Watson

(10) **Patent No.:** **US D592,580 S**

(45) **Date of Patent:** **** May 19, 2009**

(54) **PAIR OF FUEL TANK FLANGES**

D558,120 S * 12/2007 Watson et al. D12/218

(76) Inventor: **Kenneth A. Watson**, 10240 SE. Mather Rd., Vancouver, WA (US) 97015

* cited by examiner

Primary Examiner—Robin V Webster

Assistant Examiner—Linda Brooks

(74) *Attorney, Agent, or Firm*—Ingrid McTaggart

(**) Term: **14 Years**

(21) Appl. No.: **29/310,573**

(22) Filed: **Aug. 26, 2008**

(57) **CLAIM**

I claim the ornamental design for a pair of fuel tank flanges, as shown and described.

(51) **LOC (9) Cl.** **12-11**

(52) **U.S. Cl.** **D12/218**

(58) **Field of Classification Search** D12/218,
D12/110, 114, 197, 82, 93–100; D23/240–265;
220/86.2; 285/12, 80, 92, 148.18–148.25,
285/355, 390, 392; 141/383, 286, 302; 180/69.4,
180/219, 225; 280/288.4, 833–835; D15/1–5;
137/43, 197, 202, 587–589

See application file for complete search history.

DESCRIPTION

FIG. 1 is an isometric view of the left fuel tank flange of the pair of fuel tank flanges, looking downwardly toward the top thereof;

FIG. 2 is a right side view of FIG. 1;

FIG. 3 is a left side view of FIG. 1;

FIG. 4 is a front view of FIG. 1; wherein the back view is a mirror image thereof;

FIG. 5 is a top view of FIG. 1; and,

FIG. 6 is a bottom view of FIG. 1.

The right fuel tank flange of the pair of fuel tank flanges is a mirror image of the left fuel tank flange. Only the left fuel tank flange of the pair of fuel tank flanges has been illustrated for ease of illustration.

(56) **References Cited**

U.S. PATENT DOCUMENTS

1,866,644	A	*	7/1932	Greer	285/238
D262,956	S	*	2/1982	McNab et al.	D12/218
D275,984	S	*	10/1984	Shaw	D23/260
D301,447	S	*	6/1989	Snyder	D12/223
D301,448	S	*	6/1989	Snyder	D12/223
5,195,785	A	*	3/1993	Jellison	285/80
5,327,946	A	*	7/1994	Perkins	220/86.2
D466,468	S	*	12/2002	Watson	D12/218

1 Claim, 2 Drawing Sheets

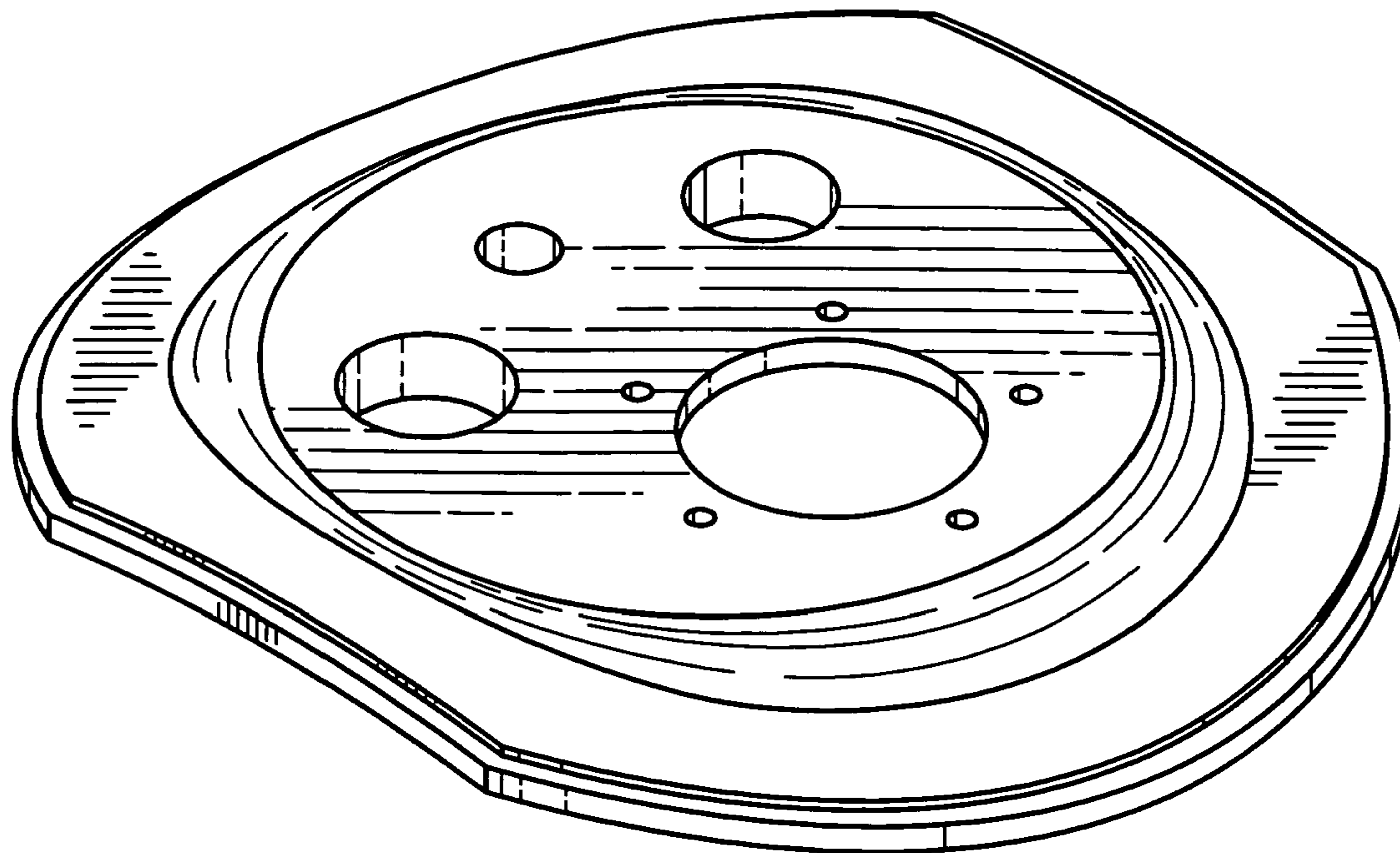


Fig. 1

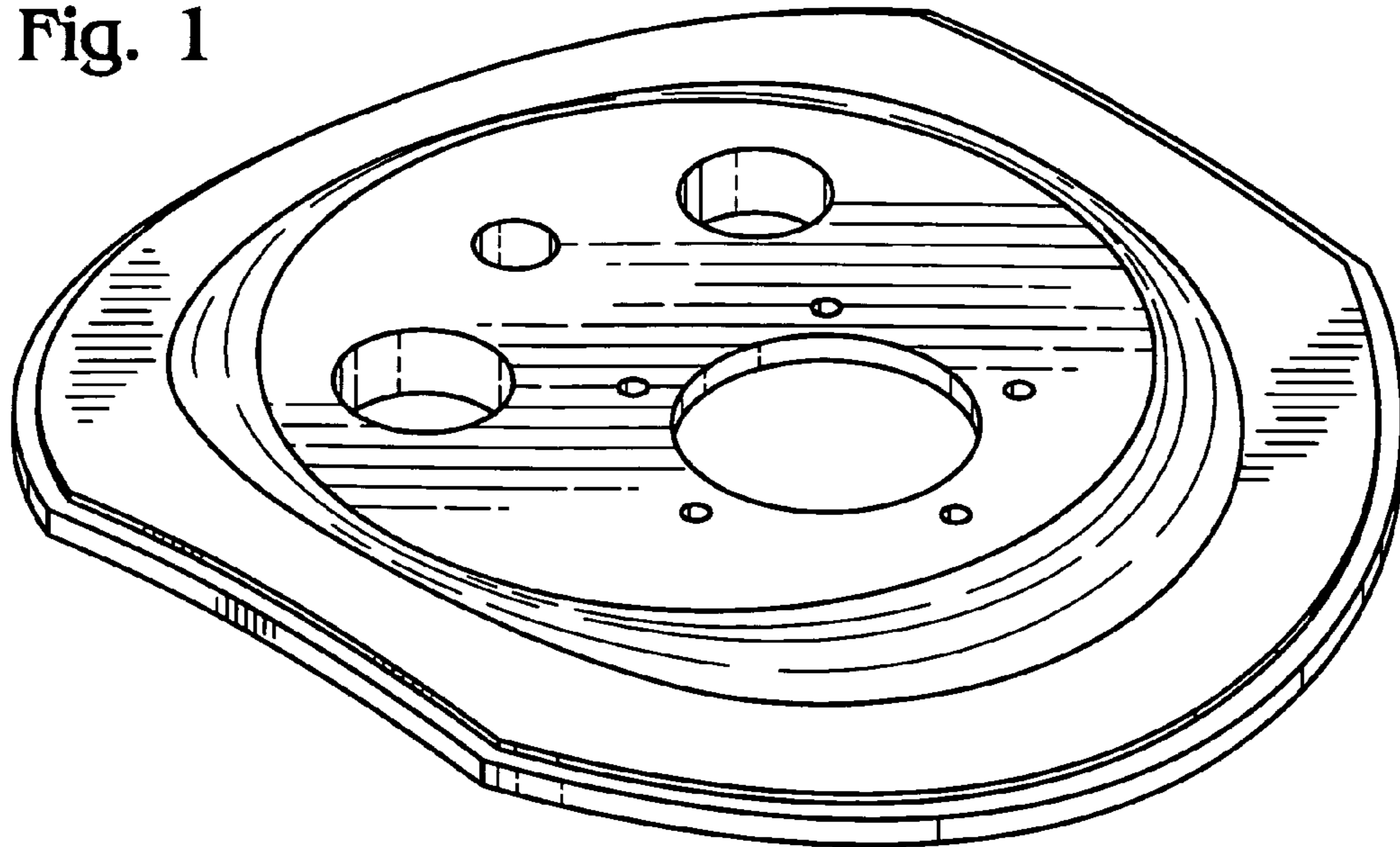


Fig. 2

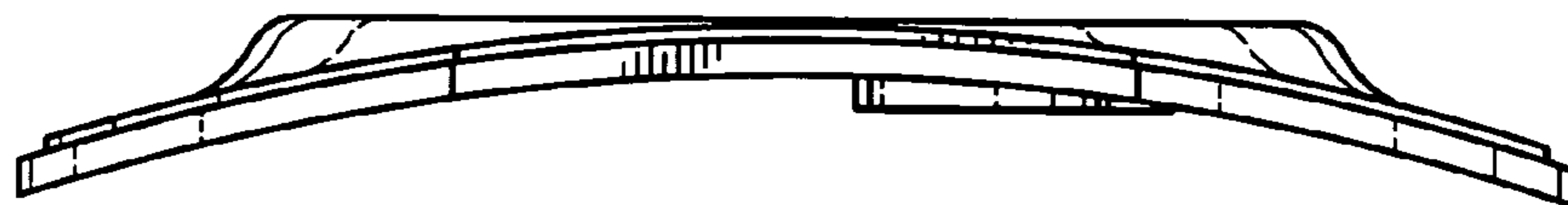


Fig. 3

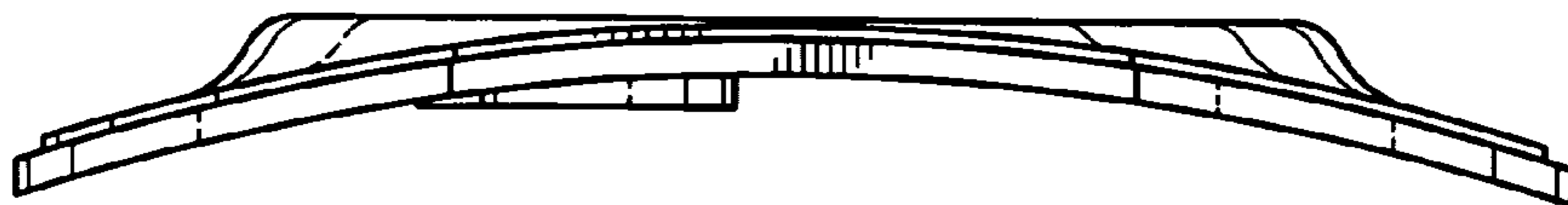


Fig. 4

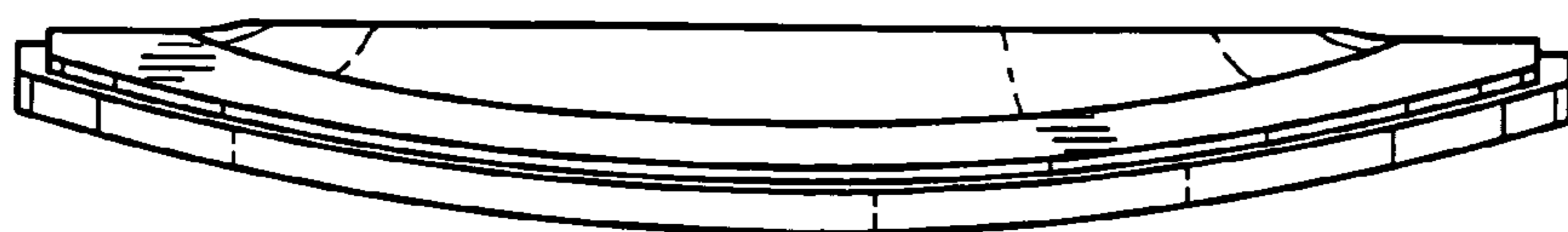


Fig. 5

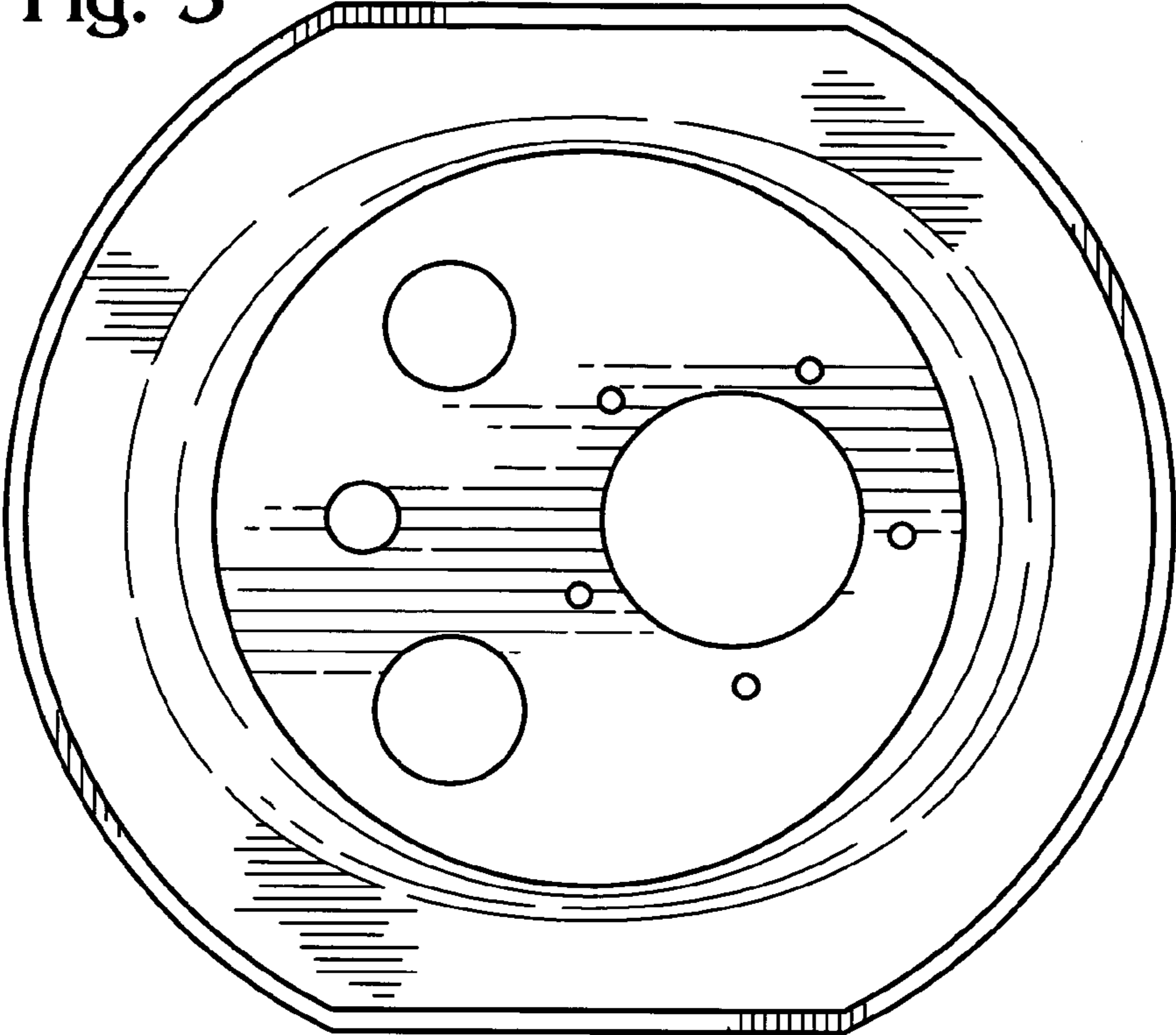


Fig. 6

